

# The Road to Powerful Central Vac Cleaning

## Promotional Materials



## Installation Information



## Product Specs



## Parts and Pricing Guide





## Dirt Devil® CV950 and CV950LE Central Vacuum Systems

are designed to keep RV travel clean, comfortable and uncluttered. Combined with a space-saving cleaning tool kit that easily fits in a single drawer, Dirt Devil® Central Vacuums make the most of valuable cabin space while making it easy to clean every surface in your RV – all floorings, carpets, rugs, furniture, window treatments, cabinets, dashboards, and hard-to-reach areas.



100% of all vacuumed dirt and debris are eliminated from your living space when using the Dirt Devil® CV950 or CV950LE, leaving your RV cleaner and fresher with no recirculation of dust and vacuum odors. It's also more powerful, quieter, less bulky to store and lighter weight to use than a standard upright.

Dirt Devil Central Vacuums help simplify on-the-road living, so you have more time to enjoy your traveling adventures and destinations!

## Table of Contents

Dirt Devil® CV950/CV950LE Versatile Benefits	Page 1
Dirt Devil® CV950/CV950LE Promotional Materials	Pages 2-5
Replacement Parts Lists and Specs	Page 6-7
CV950/CV950LE Product Guide	Pages 8-10
Quick & Easy Installation	Page 11
Central Vacuum System Layouts	Page 12-13

Dirt Devil® branded central vacuums are manufactured under exclusive license from Royal Appliance Mfg. Co. by H-P Products, 512 W. Gorgas St., Louisville, Ohio 44641.



# Versatile, Convenient On-the-Road Cleaning



- The powerful Dirt Devil® CV950/CV950LE picks up objects most sweepers can't budge.

- Easily removes dusty film from curtains, blinds, cabinet surfaces, and even intricate areas like the dashboard.



- Being a built-in system, the Dirt Devil® central vacuum is extremely lightweight and convenient to use.

- A variety of attachments makes cleaning hard-to-reach places simple.

- The Dirt Devil® CV950/CV950LE easily removes pet hair from upholstery and carpets.





# Dirt Devil® CV950 Sell Sheet # RV-654-DD - Front



Clean away dirt, dust  
and RV clutter...  
*with ease.*

Packing light takes on a whole new meaning with the Dirt Devil® CV950. This All-in-One system weighs just 14 pounds and offers a one-gallon dirt storage capacity. Combined with a space-saving cleaning tool kit that easily fits in a single drawer, the Dirt Devil® CV950 System makes the most of valuable cabin space. It is designed to keep RV travel clean, comfortable and uncluttered.

**Dirt Devil**  
CV950  
ALL-IN-ONE  
Central Vacuum System





# Dirt Devil® CV950 Sell Sheet # RV-654-DD – Back

Everything you need to keep your RV clean fits in a drawer.



**Dirt Devil**  
CV950  
ALL-IN-ONE  
Central Vacuum System

- High performance central cleaning system
- Quiet, powerful vacuum performance
- Space saving—easily installed under seats, in closets or storage compartments

**Dirt Devil® CV950 offers versatile cleaning for all interior surfaces:**

- Rugs, Carpets
- Furniture, Upholstery
- Cabinets, Dashboards
- Vinyl Floors, Ceramic Tile
- Window Treatments
- Hard-to-reach Areas

## Powerful, Versatile and Convenient

How do you keep your RV clean? Standard upright vacuums are too bulky for the small spaces and hard-to-clean corners in an RV. Mops, brooms, and dustpans just clutter up the storage areas. The Dirt Devil® All-in-One central vacuum is the perfect, versatile cleaning solution. The space-saving design of the Dirt Devil® CV950 is ideal for RVs. The vacuumed dirt and debris are captured in a remotely located dirt canister, eliminating the recirculation of dust and vacuum odors in your living spaces. Your RV is cleaner and fresher when you vacuum with the CV950 Central Vacuum System.

## Easy Installation

Units can be installed under seats, in closets or storage compartments. Unit can be installed horizontally on its left or right side panel.



Available Through:

## MAXUMizer™ Space-Saving Tool Kit

Less than half a cubic foot is all the space needed to store the Maxumizer Cleaning Kit. Required storage area is 66% less than other systems, without sacrificing vacuum efficiency or cleaning power. The Maxumizer Standard Kit includes a 7' hose which expands to 30'; two-piece wand set, rug, crevice, upholstery and dusting tools. The Maxumizer Deluxe Kit includes all the basic tools plus the RugRat® handheld turbine powerhead.



## VacPan™ Automatic Dustpan

VacPans are a great add-on to the CV950 Central Vacuum System. The VacPan provides quick clean-ups for hard surface flooring. Simply activate the system by pressing the switch with your foot. Sweep dust and dry debris up to the vacuum port to be whisked away.



### Specifications

Model .....	Dirt Devil CV950
Weight .....	14lbs
Dimensions .....	6.25" x 7" x 14.5"
Voltage .....	120 Volts (AC)
Amperes .....	11.3
Motor: With overload and overheat protector; automatically resets when cooled	
Dirt Capacity.....	1 Gallon
CFM .....	120
Air-Watts .....	450
Waterlift .....	105"

**3** year warranty



Patented

Dirt Devil® branded central vacuums are manufactured by H-P Products under exclusive license from Royal® Appliance Mfg. Co.

RV-654-DD

© H-P Products, Inc., 2005

## Dirt Devil® CV950 Countertop Literature Display with Trifold Brochure #8403




## Dirt Devil® CV950 Countertop Product Display #8400






# Dirt Devil® CV950 / CV950LE Trifold Brochure #IH-22





**Versatile, Convenient On-the-Road Cleaning**

- The powerful Dirt Devil® CV950 and CV950LE pick up objects most sweepers can't budge.
- Easily removes dusty film from curtains, blinds, cabinet surfaces, and even intricate areas like the dashboard.
- Being a built-in system, the Dirt Devil® central vacuum is extremely light-weight and convenient to use.
- A variety of attachments makes cleaning hard-to-reach places simple.
- The Dirt Devil® CV950 & CV950LE easily remove pet hair from carpets and upholstery.

Dirt Devil® Central Cleaning Systems are available through:








Dirt Devil® branded central vacuums are manufactured under exclusive license from Royal Appliance Mfg. Co. by H-P Products, 512 W. Gorgas St., Louisville, Ohio 44641.

## High-Performance Dirt Devil® Central Vac Cleaning System



**The Road to Healthier, Cleaner Living**

*How do you keep your RV clean?*

A standard upright vacuum cleaner might be okay for a house or an apartment, but it's less mobile and versatile in an RV. In fact, it's not likely to reach into tight corners and the smaller areas of an RV. The Dirt Devil® Central Vacuum System offers the perfect solution. The space-saving design of the Dirt Devil® CV950 and CV950LE and their accessories are ideal for RVs.

A Dirt Devil® Central Vacuum System also creates a cleaner and healthier living space, which is especially important in the smaller confines of an RV. Both Dirt Devil® units capture 100% of all vacuumed dirt and debris in a remotely located dirt canister, eliminating the recirculation of dust and vacuum odors in your RV. The cleaner, healthier conditions are great for allergy or asthma sufferers!

*Dirt Devil® is a name known and trusted around the world for quality products and clean homes.*



SPACE-SAVING CLEANING TOOL KIT  
MAXUMizer

The *Maxumizer* Cleaning Kit takes up less than half a cubic foot! The *Maxumizer Standard Kit* includes a:

- Two-piece wand set
- 7' Crushproof Hose that expands to 30'
- Upholstery, Dusting, Crevice and a 10" Rug/Floor Tool

The *Maxumizer Deluxe Kit* includes all the above items plus a RugRat® hand-held turbine powerhead.

These accessories offer versatile cleaning for all interior surfaces: rugs, carpets, vinyl and ceramic flooring, furniture, upholstery, cabinets, dashboards, window treatments and hard-to-reach areas.





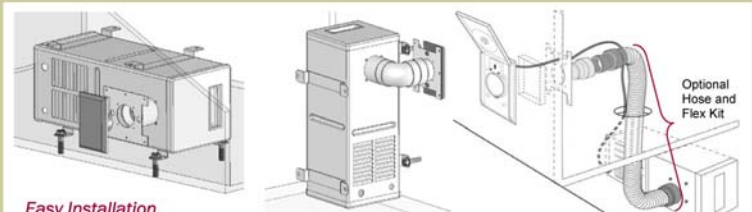
**Powerful Central Cleaning System**

The convenient Dirt Devil® Central Vacuum System provides all RV owners with consistent, powerful vacuum performance and many value-added features such as:

- All-inclusive package (power unit, tools, inlet valves, and installation components, fittings and tubing)
- Commercial-grade quality
- Large one-gallon dirt capacity
- High-performance motor
- Easy to use
- Dual filtration system
- Increases RV resale value

3 year warranty





**Easy Installation.**

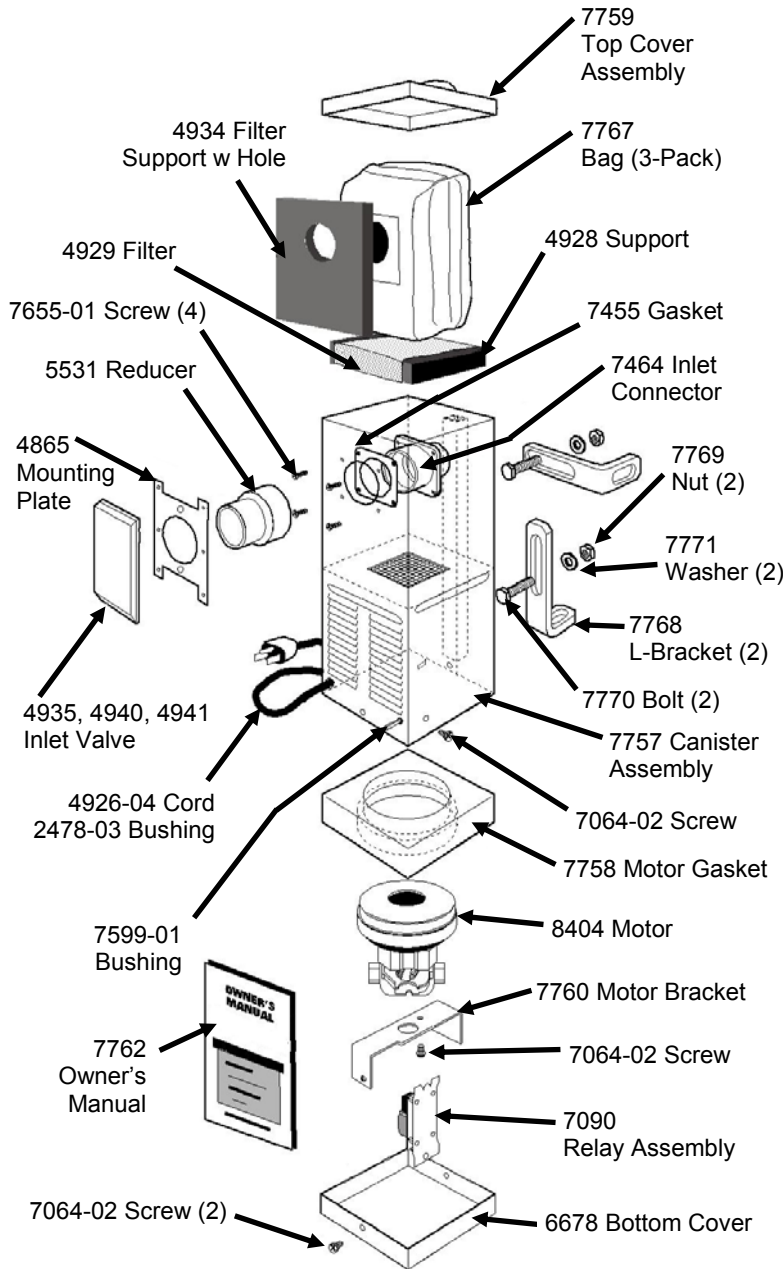
To accommodate any installation arrangement, the compact Dirt Devil® CV950 and CV950LE units (6" x 7" x 14") can be installed upright or in a horizontal position (on its left or right side panel) as shown.



# CV950

# # 8090

## REPLACEMENT PARTS LIST & SPECS



Part #	Description (Qty.)	MSRP \$
7759	Top Cover Assembly	11.39
7767	Bag (3-Pack)	6.95
4934	Filter Support with Hole	1.97
4929	Filter	.75
4928	Filter Support	1.97
7455	Inlet Gasket	.41
7464	Inlet Connector	1.45
7769	Nut (2)	.42 ea
7771	Washer, Locking (2)	.04 ea
7768	L-Bracket Mounting (2)	2.07 ea
7770	Bolt (2)	.21 ea
7757	Canister Assembly	46.54
7758	Motor Gasket	9.36
8404	Motor	89.41
7760	Motor Bracket	4.94
7064-02	Screw (4)	.16 ea
7090	Relay Assembly	65.00
6678	Bottom Cover	10.24
7655-01	Inlet Screws, Black (4)	.26 ea
5531	Inlet Reducer	.85
4865	Mounting Plate	2.10
4935	Inlet Valve, White (Ivory #4940 or Brown # 4941)	12.48
4926-04	Power Cord	4.92
2478-03	Bushing, Power Cord	.26
7599-01	Bushing (24V)	.26
7762	Owner's Manual	2.10

### Product Specifications

Model..... Dirt Devil CV950  
 Weight..... 14 pounds  
 Dimensions.... 6.25" x 7" x 14.5"  
 Voltage..... 120 volts (AC)  
 Amperes..... 11.3

Dirt Capacity.... 1 gallon  
 CFM..... 120  
 Air Watts..... 450  
 Water Lift..... 105"

Motor has a thermal protector and automatically resets when cooled.

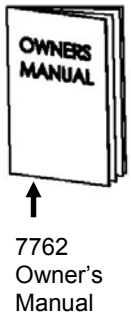
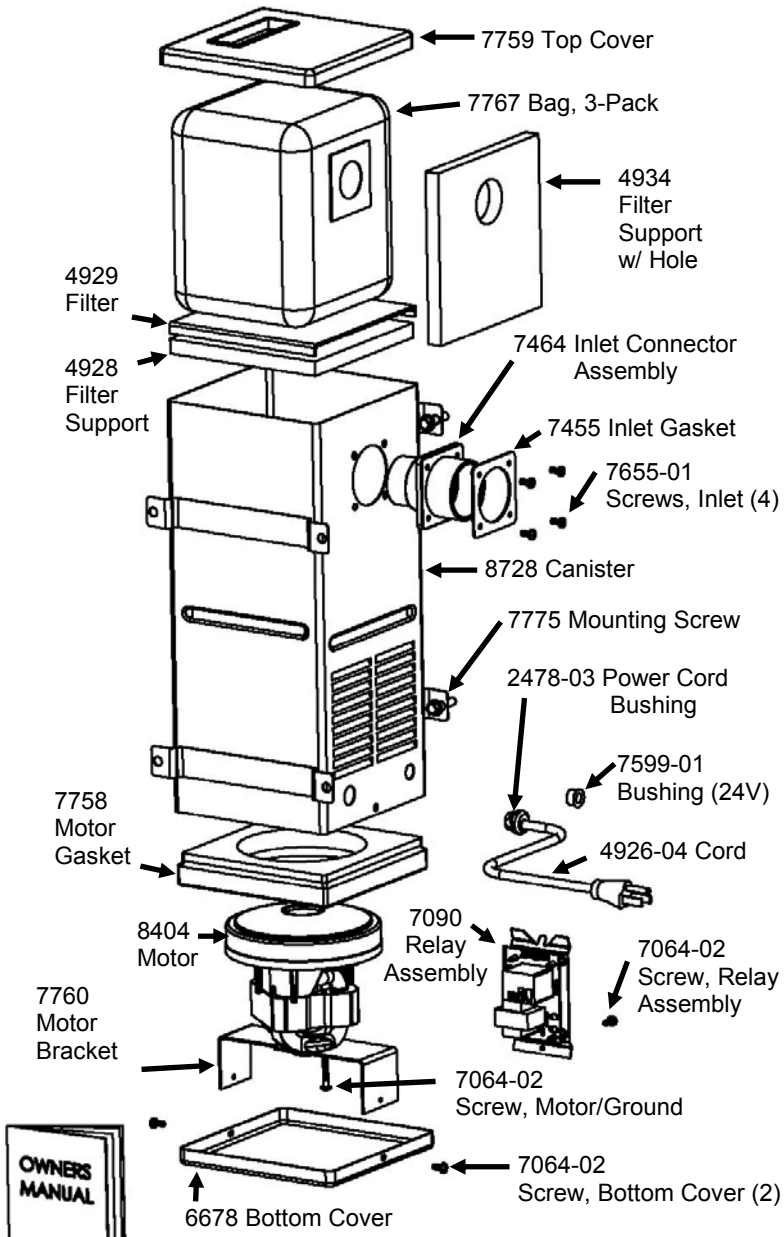






# CV950LE # 8730

## REPLACEMENT PARTS LIST & SPECS



Part #	Description (Qty.)	MSRP \$
7759	Top Cover	11.39
7767	Bag (3-Pack)	6.95
4934	Filter Support w/ Hole	1.97
4929	Filter	.75
4928	Filter Support	1.97
7464	Inlet Connector Assembly	1.39
7455	Inlet Gasket	.41
7655-01	Screw, Inlet (4)	.26 ea.
8728	Canister	46.54
7775	Mounting Screw ( 4 )	.20
2478-03	Bushing, Power Cord	.26
7599-01	Bushing (24V)	.26
4926-04	Power Cord	4.92
7090	Relay Assembly	65.00
7064-02	Screw (4)	.16 ea.
7758	Motor Gasket	9.36
8404	Motor	89.41
7760	Motor Bracket	4.94
6678	Bottom Cover	10.24
7762	Owner Manual	2.10

### Product Specifications

Model.....	Dirt Devil CV950LE	Dirt Capacity....	1 gallon
Weight.....	14 pounds	CFM.....	120
Dimensions....	6.25" x 7" x 14.5"	Air Watts.....	450
Voltage.....	120 volts (AC)	Water Lift.....	105"
Amperes.....	11.3		

Motor has a thermal protector and automatically resets when cooled.





# Central Vacuum Product Guide



**H-P PRODUCTS, INC.**  
FLOORCARE PRODUCTS

512 West Gorgas Street • Louisville, Ohio 44641  
1-800-822-8356 • 330-875-5556 • FAX 1-800-861-7572

## Power Units



**CV950**  
Includes inlet valve, L-mounting brackets, hardware package, low-voltage wire, three 1-gallon disposable bag and Owner's Manual.  
P/N: **8090-W**  
Complete with White Inlet Valve  
P/N: **8090-I**  
Complete with Ivory Inlet Valve  
P/N: **8090-B**  
Complete with Brown Inlet Valve  
MSRP: \$177.45



**CV950LE**  
Includes low-voltage wire, hardware package, three 1-gallon disposable bags and Owner's Manual  
P/N: **8730**  
MSRP: \$159.95

## Maximizer Cleaning Kits



**Standard Maximizer Cleaning Tool Set**  
Includes 7' hose (that expands to 30'), 2-piece wand set, combo rug/floor tool, crevice nozzle, upholstery tool and dusting brush.  
P/N: **7794-BK** MSRP: \$ 74.50



**Deluxe Maximizer Cleaning Tool Set**  
Includes 7' hose (that expands to 30'), 2-piece wand set, combo rug/floor tool, crevice nozzle, upholstery tool, dusting brush and RugRat turbine handheld brush.  
P/N: **7829-BK** MSRP: \$ 110.00

## Attachments and Accessories



**Maximizer 7-Foot Hose, Expands to 30 Feet**  
P/N: **7833-B**  
MSRP: \$58.00



**Combo Rug/Floor Tool**  
P/N: **7835-B**  
MSRP: \$14.51



**Dusting Brush**  
P/N: **1142-B**  
MSRP: \$3.80



**Crevice Tool**  
P/N: **1141-B**  
MSRP: \$2.15



**RugRat Turbine Handheld Brush**  
P/N: **6972-BG**  
MSRP: \$59.95



**Black Plastic Wand**  
P/N: **4978-B**  
MSRP: \$3.50 each



**Upholstery Tool**  
P/N: **7029-B**  
MSRP: \$2.69



**Replacement Bag, 3-Pack**  
P/N: **7767**  
MSRP: \$6.95



**19-1 Bag, 3-Pack**  
For original Small Wonder unit.  
P/N: **4908**  
MSRP: \$6.95





# Central Vacuum Product Guide



**H-P PRODUCTS, INC.**  
FLOORCARE PRODUCTS

512 West Gorgas Street • Louisville, Ohio 44641  
1-800-822-8356 • 330-875-5556 • FAX 1-800-861-7572

## Inlet Valves, VacPans and Utility Valves



### Fully-Automatic Inlet Valves

Fully-automatic inlet valves activate when valve lid is lifted. Use with 4865 Mounting Plate.

P/N: **4935** White P/N: **4941** Brown  
P/N: **4940** Ivory P/N: **4949** Almond  
MSRP: \$12.48



### Utility Valve with Pin Jacks

Valve turns on when hose is inserted. Use with 5501W TY.

P/N: **5586W** White  
MSRP: \$5.37



### VacPan Automatic Dustpan

Usually mounted in toe-kick of cabinets. 5506W Elbow attaches to top of VacPan.

P/N: **7710A** Almond  
P/N: **7710B** Black  
P/N: **7710W** White  
MSRP: \$35.90



### Stainless Steel VacPan Face Plate

Metal face plate cover only. Simply attaches to VacPan front.

P/N: **8583**  
MSRP: \$12.98

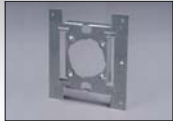


### VacPan II

VacPan II is dual purpose – insert hose into inlet valve or sweep dirt into floor port with broom.

P/N: **7981** Almond  
P/N: **7981W** White  
MSRP: \$45.21

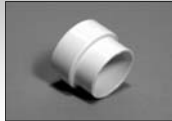
## Installation Components and White Fittings



### Mounting Plate

Use with 5531W Reducer.

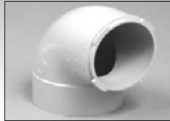
P/N: **4865**  
MSRP: \$2.10



### Inlet Reducer

Use with 4865 Mtg. Plate.

P/N: **5531W**  
MSRP: \$ .85



### 90° Adapter

Use with 4865 Mtg. Plate.

P/N: **7046**  
MSRP: \$2.80



### 90° Short Adapter Elbow

Use with VacPan.

P/N: **5506W**  
MSRP: \$ .73



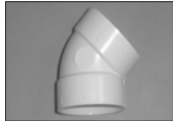
### 90° Long Elbow

P/N: **5510W**  
MSRP: \$ .99



### 90° Long Street Elbow

P/N: **5511W**  
MSRP: \$ .99



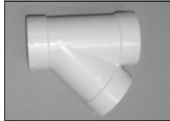
### 45° Elbow

P/N: **5517W**  
MSRP: \$ .77



### 45° Street Elbow

P/N: **5518W**  
MSRP: \$ .77



### 45° Y

P/N: **5525**  
MSRP: \$2.06



### 90° TY

Use with 5586W Utility Valve or multiple inlet valves.

P/N: **5501W**  
MSRP: \$1.24



### 3-Way 90° Elbow

P/N: **5515W**  
MSRP: \$2.05



### 3-Way Manifold

P/N: **8727**  
MSRP: \$1.98



### Spigot Fitting

Joins fittings, exterior stop.

P/N: **5527W**  
MSRP: \$ .35



### Slip Coupling

Joins tubing, no interior stop.

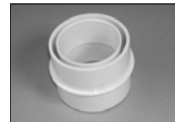
P/N: **5528W**  
MSRP: \$ .84



### Stop Coupling

Joins fittings, interior stop.

P/N: **5529W**  
MSRP: \$ .33



### Adapter

Use with Universal inlet valves.

P/N: **8729**  
MSRP: \$1.98



### Valve Stem Extension, 4-3/4"

Use with walls over 1" thick.

P/N: **5018W**  
MSRP: \$2.41

## Tubing and Tubing Accessories



### 2" PVC Tubing

8' lengths; ships in 80" bundle or 3200' skid.

P/N: **6928 W**  
MSRP: \$ .69 per foot



### 2" Tubing Support Strap

P/N: **5545W**  
MSRP: \$ .36



### Quick Clip

Low-voltage wire holder.

P/N: **5544W**  
MSRP: \$ .28



### 2" Pipe Collar

P/N: **5549W**  
MSRP: \$ .86



### 2" Tube Cap

P/N: **5547**  
MSRP: \$ .53



### 2" PVC Tube Cutter

P/N: **4500**  
MSRP: \$161.36

Replacement Blades  
(Pack of 5) for P/N 4500  
P/N: **4501**

MSRP: \$45.16



# Central Vacuum Product Guide



**H-P PRODUCTS, INC.**  
FLOORCARE PRODUCTS

512 West Gorgas Street • Louisville, Ohio 44641  
1-800-822-8356 • 330-875-5556 • FAX 1-800-861-7572

## Hose Rack and Attachment Caddies



**Wire Hose Rack**  
P/N: **6524-G**  
MSRP: \$6.70



**Vinyl Bag Caddy**  
Compatible with 6524-G;  
Size: 15" x 20-3/4".  
P/N: **7824-NL**  
MSRP: \$18.55



**Mesh Bag Caddy**  
Size: 9-1/2" x 10-1/2".  
P/N: **6481**  
MSRP: \$7.48



**Clip-On Tool Caddy**  
Fits on 2-piece wand set and holds 3 tools.  
P/N: **7724-G**  
MSRP: \$2.35

## Low-Voltage Wire, Adhesive and Tools



**Wire No. 18-2**  
100' (30.5m) Hank  
P/N: **5039W**  
MSRP: \$17.80



**Wire No. 18-2**  
500' (152.4m) Reel  
P/N: **2870W**  
MSRP: \$89.00



**Adhesive**  
1/4 Pint (.12 liter)  
P/N: **5038**  
MSRP: \$3.19



**Deburring Tool**  
For 2" PVC Tubing  
P/N: **6787**  
MSRP: \$48.44



**Vacuum Gauge**  
up to 160 lbs.  
P/N: **1247**  
MSRP: \$64.53



**45° Y Testing Fixture**  
3/8" orifice  
P/N: **4448**  
MSRP: \$26.90

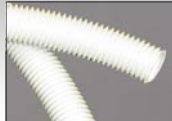
## Installation Items



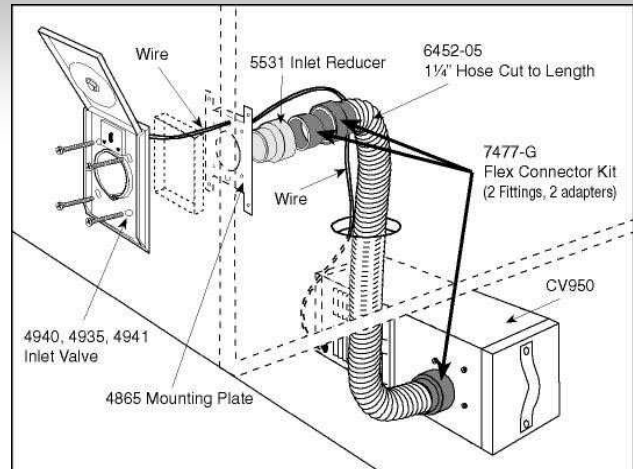
**Flex Connector Kit (2 Spigot Fittings, 2 Hose Adapters)**  
To be used with raw hose.  
P/N: **7477-G**  
MSRP: \$6.25



**29' Raw 1-1/4" Ultralite Hose**  
P/N: **6452-05**  
MSRP: \$39.73



**9' Raw 1-1/4" Ultralite Hose**  
P/N: **6452-06**  
MSRP: \$13.10



Above picture and illustration show installation using two hose adapters and only one spigot fitting from the Flex Kit.

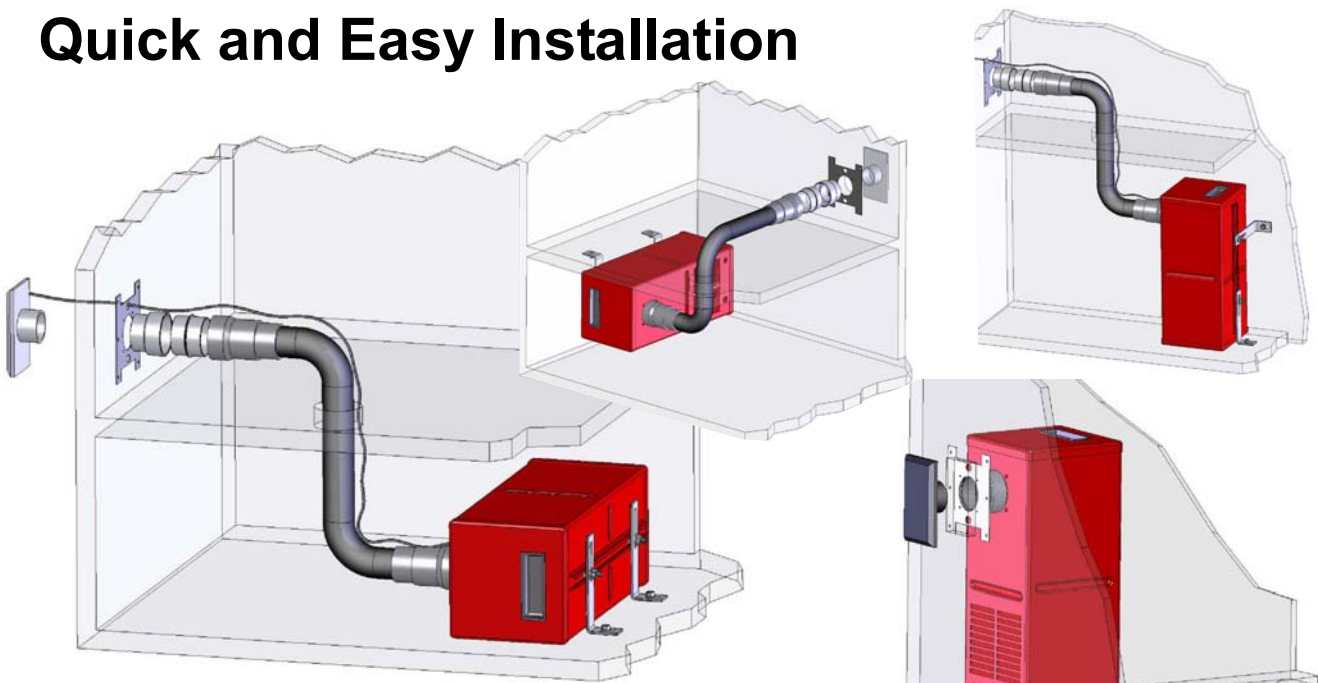
TERMS: Net 30 Days  
Prepaid Freight on 100+ Quantity  
All Prices in U.S. Dollars  
Minimum \$50.00 Order.

FOB: North Canton, Ohio

Prices subject to change without notice.



# Quick and Easy Installation



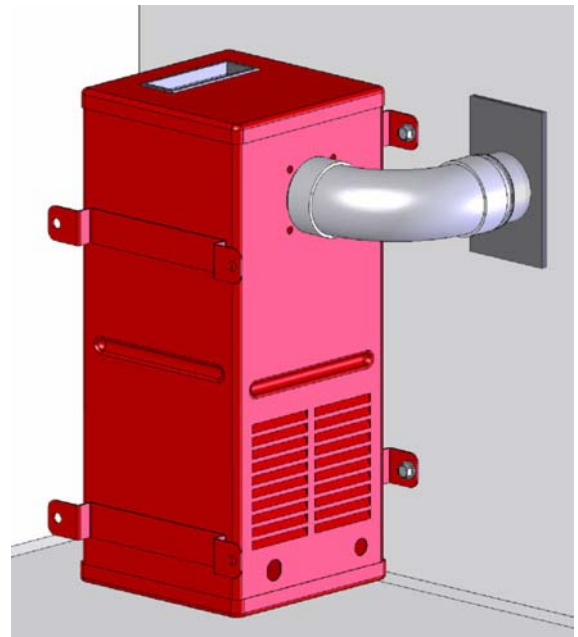
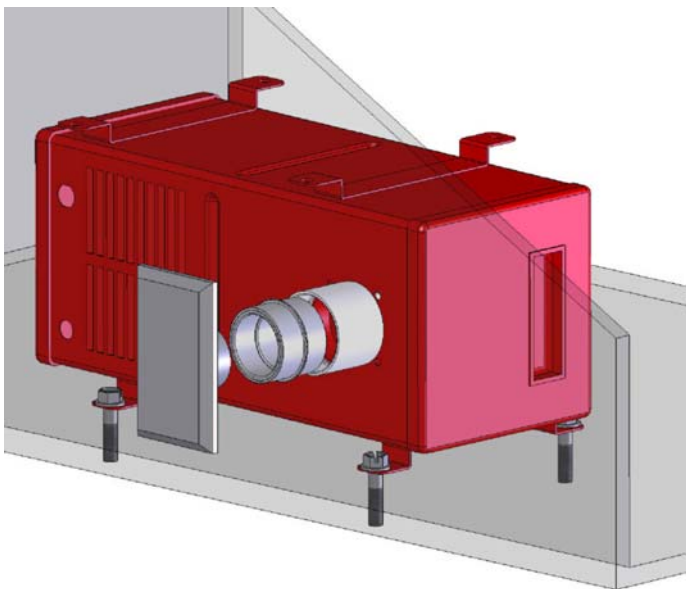
## CV950 Installation ▲

The lightweight (14 pounds), 120-volt power unit is quick and easy to install either horizontally or vertically in a space as small as 10" x 20". Using the supplied L-brackets, the CV950 can be top mounted or bottom mounted in a horizontal position. The power unit and inlet valve can also be installed up to five feet apart using an optional Flex Connector Kit with raw Ultralite Hose.

## CV950LE Installation ▼

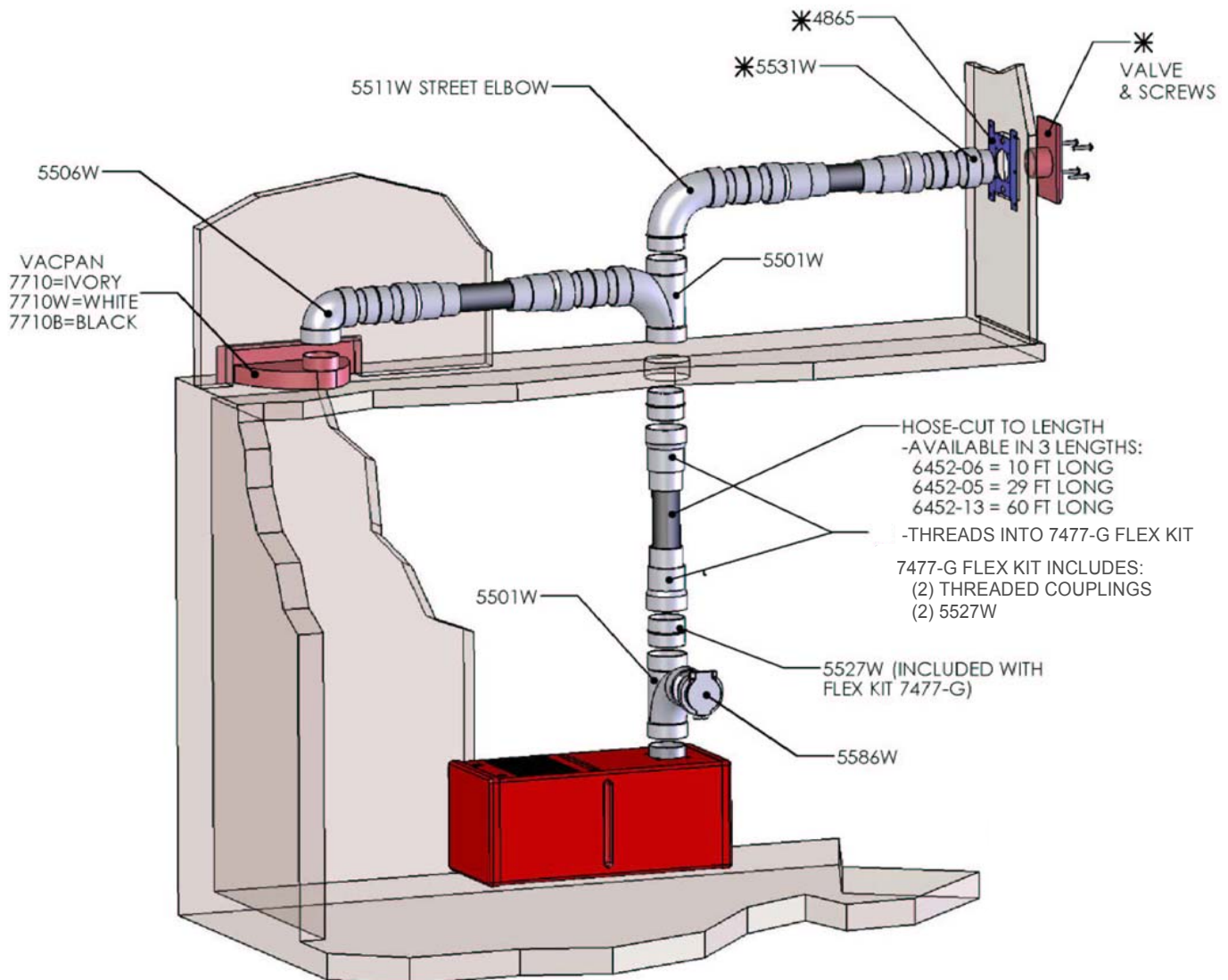
Compared to the CV950, the CV950LE has mounting brackets already attached to either side of the power unit and requires slightly different installation (see below). However, both units can be top or bottom mounted, and installed horizontally, vertically, or with the optional Flex Connector Kit. The compact size of both units makes them perfect for installing under seats, inside closets or in storage compartments.

A complete Installation Guide is included with either Dirt Devil® CV950 or CV950LE Power Unit.



# Dirt Devil® CV950 Central Vacuum System Layout

\* - INDICATES ITEMS INCLUDED WITH POWER UNIT.  
-(6FT) #18-2 SOLID CONDUCTOR WIRE AND 2 WIRE NUTS ALSO INCLUDED WITH POWER UNIT.



## ADDITIONAL ACCESSORIES

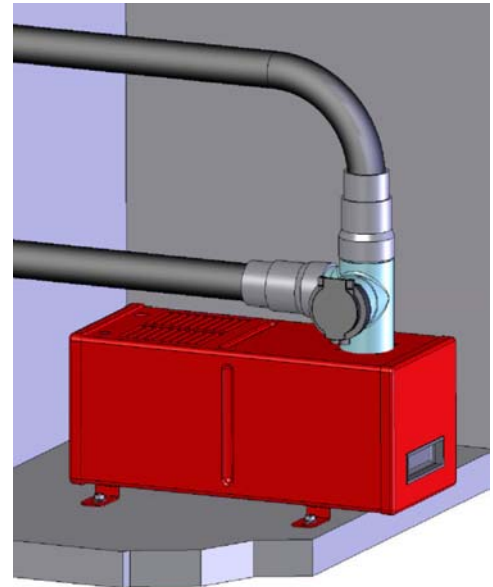
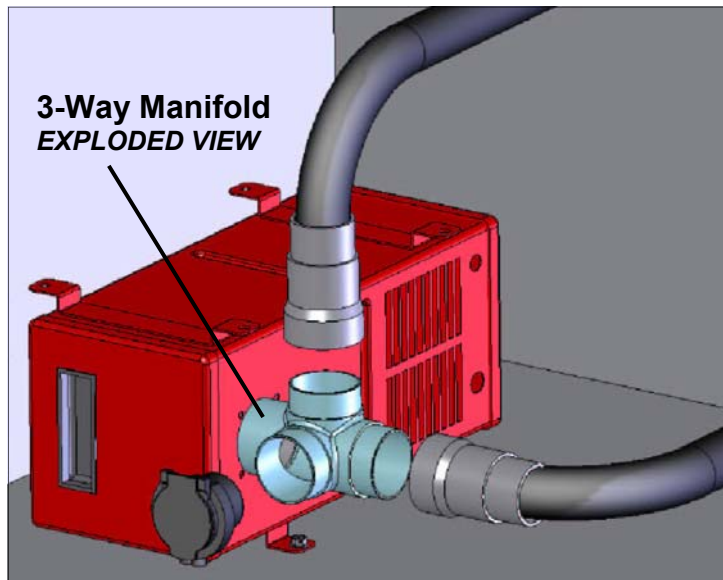
- 5149 - WIRE NUTS
- 5038 - PVC SOLVENT
- 5148-6 - (6FT) #18-2 SOLID CONDUCTOR WIRE
- 5039 - (100FT SPOOL) #18-2 SOLID CONDUCTOR WIRE.
- 5018 - VALVE STEM EXTENSION USED FOR THICK WALLS
- 5510 - 90° ELBOW (NOT STREET)

## NOTES:

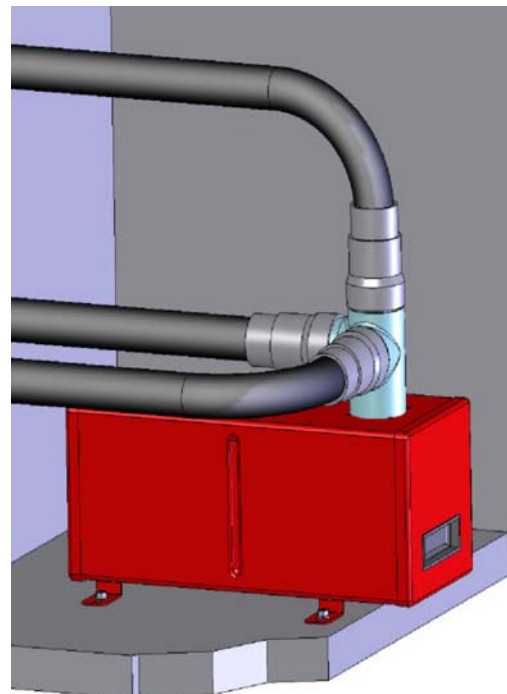
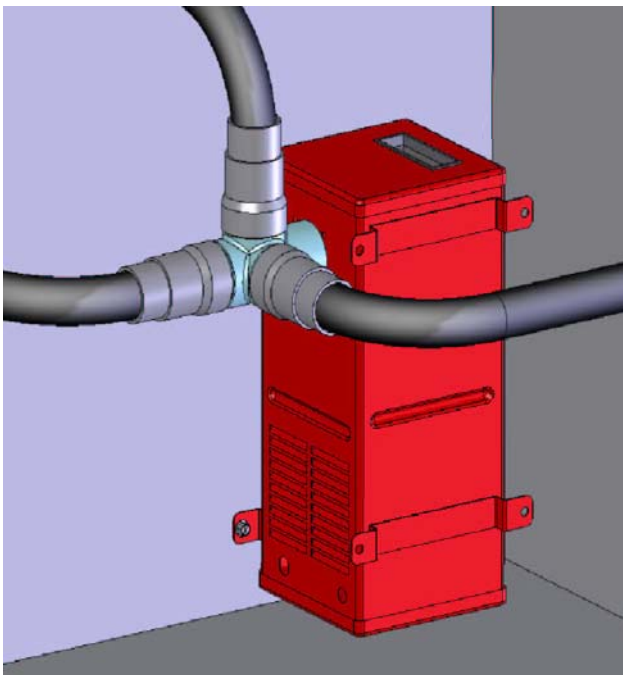
- 1) THIS PICTURE SHOWS A TYPICAL INSTALLATION. MANY DIFFERENT MOUNTING CONFIGURATIONS CAN BE ACHIEVED BY USING THESE STANDARD COMPONENTS.
- 2) RIGID PVC TUBING (P/N 6928) MAY BE USED IN PLACE OF FLEXIBLE HOSE 6452 AND 7477-G FLEX KIT



## Dirt Devil® CV950LE Central Vacuum System Sample Layouts using 3-Way Manifold (#8727)



Using a 3-Way Manifold makes installation of two separate tubing branch lines and an inlet valve easier with simpler layout configurations – less fittings are needed too!



3-Way Manifolds can also be used to install three separate tubing branch lines.

# Clean, Healthy On-the-Road Living



Dirt Devil® branded central vacuums are manufactured under exclusive license from Royal Appliance Mfg. Co. by H-P Products, 512 W. Gorgas St., Louisville, Ohio 44641.