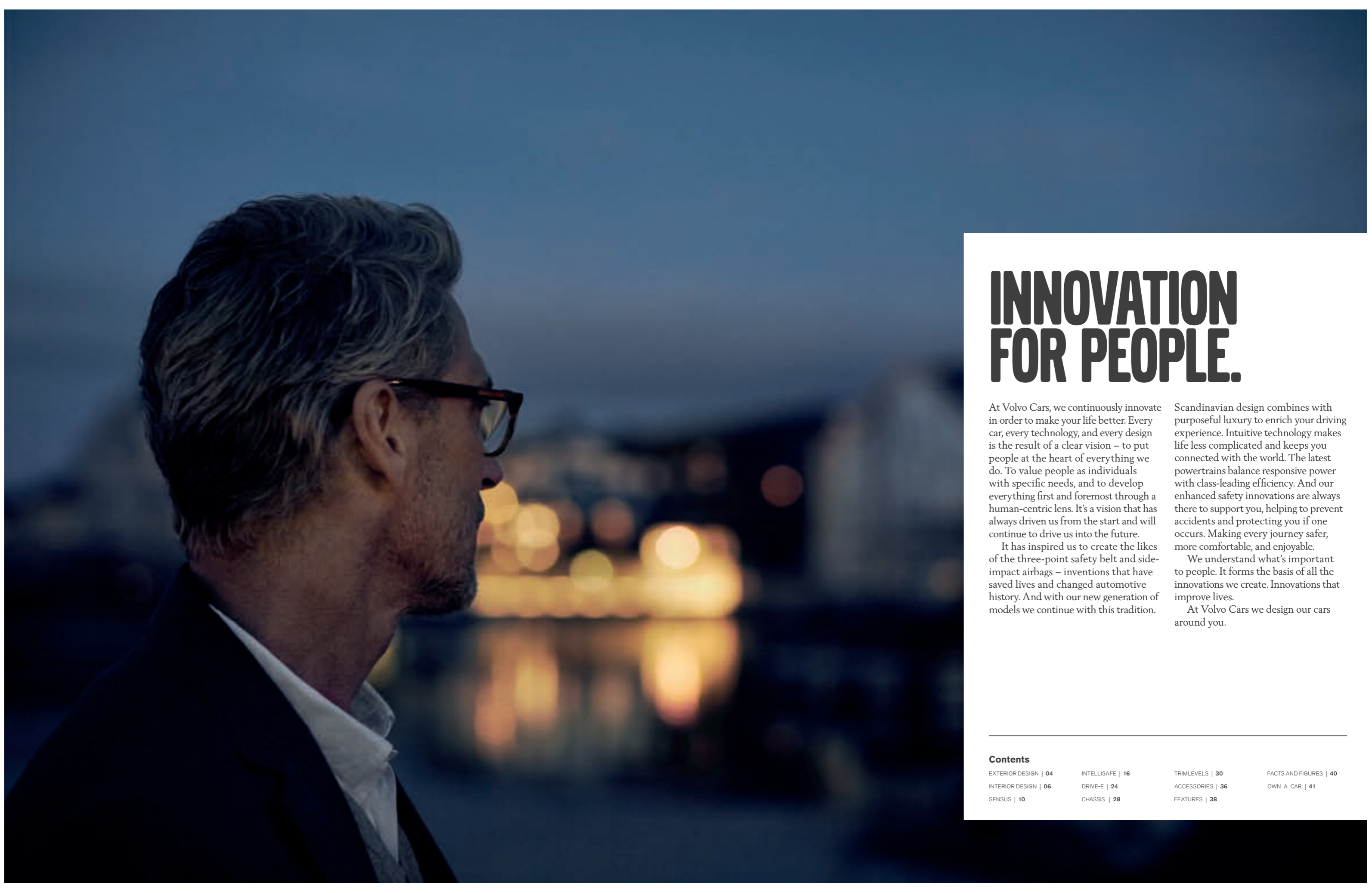




THE ALL-NEW
VOLVO S90
MY2017



INNOVATION FOR PEOPLE.

At Volvo Cars, we continuously innovate in order to make your life better. Every car, every technology, and every design is the result of a clear vision – to put people at the heart of everything we do. To value people as individuals with specific needs, and to develop everything first and foremost through a human-centric lens. It's a vision that has always driven us from the start and will continue to drive us into the future.

It has inspired us to create the likes of the three-point safety belt and side-impact airbags – inventions that have saved lives and changed automotive history. And with our new generation of models we continue with this tradition.

Scandinavian design combines with purposeful luxury to enrich your driving experience. Intuitive technology makes life less complicated and keeps you connected with the world. The latest powertrains balance responsive power with class-leading efficiency. And our enhanced safety innovations are always there to support you, helping to prevent accidents and protecting you if one occurs. Making every journey safer, more comfortable, and enjoyable.

We understand what's important to people. It forms the basis of all the innovations we create. Innovations that improve lives.

At Volvo Cars we design our cars around you.

Contents

EXTERIOR DESIGN | 04

INTELLISAFE | 16

TRIMLEVELS | 30

FACTS AND FIGURES | 40

INTERIOR DESIGN | 06

DRIVE-E | 24

ACCESSORIES | 36

OWN A CAR | 41

SENSUS | 10

CHASSIS | 28

FEATURES | 38

When we designed our new luxury sedan we had a single aim: to create a car that would redefine the meaning of luxury. The result is the all-new Volvo S90, a car that blends the best of Scandinavian design with advanced technology to give you a new experience, beyond the commonplace and everyday. A new kind of luxury. Our idea of luxury.

With a single glance the S90 captivates you. Its powerful stance is confident and assured, the embodiment of a design philosophy that extends inside the car, where you'll discover a cabin crafted from exceptional materials such as Swedish crystal and flame birch.

In addition to styling, technology supports you without feeling overwhelming. From safety technology that avoids collisions, every one of the advanced features has been engineered to improve every journey.

This is how a modern luxury sedan should be. This is the all-new Volvo S90.



"Underneath the crisply sculpted exterior lies a new chassis that delivers the best handling of any car we've made."

THE LUXURY SEDAN, DESIGNED FOR A NEW WORLD.

From any angle the S90 looks elegant and powerful. A solid, sculpted whole that is always sophisticated. The muscular lines are distinctly Volvo, anchoring the car to its heritage while connecting it to the future.

The S90 is packed with innovative technology that has one purpose: to simplify your life, and one principle: it must be easy to use. A large touch screen means we've been able to reduce the number of buttons to a minimum, and it's laid out in portrait

format so reading and scrolling maps is much easier. Run-off Road Mitigation, which comes standard on every S90, is a world-first innovation that steers you back on track if the car starts to veer off the road accidentally. This is our approach to technology – it simply works for you.

Underneath the sculpted exterior lies an all-new chassis that delivers the perfect combination of precise handling and welcome comfort. New double wishbone

front suspension and rear integral axle suspension give you control over the car's movement. The optional premium air suspension in rear with active chassis has different settings to suit your mood, or the road, and keeps the car at the right level, regardless of load.

Elegance, craftsmanship, and technology. This is what makes the S90 ready for the new world.



DESIGNED FOR CONTROL

Precision and accuracy at every touch.

From the moment you settle into the driver's seat you're in control. Always within reach of the 9-inch Sensus Touchscreen, which is angled towards you to create the feel of a cockpit. You're surrounded by an environment where beautiful materials and advanced technology meet, creating a cabin that looks stunning and works perfectly.

The exceptional craftsmanship enhances the feeling of precision. Take the air vents, inspired by our latest concept cars. The metal-finish vertical strip and diamond-patterned control knob surfaces are beautiful to look at while remaining intuitive to the touch. In the S90 every component moves with the accuracy afforded by fine

engineering. It is a car that gives you control over every part of your journey.

Perforated Nappa Leather Blond/Charcoal interior UC00



Welcome aboard. This is the new first class: calm, comfortable, and beautifully made. A place where the journey is just as important as the arrival.

FIND OUT MORE AT VOLVOCARS.US

Perforated Nappa Leather Blond in Blond/Charcoal interior UC00



"In the S90, technology and convenience go hand in hand."

Experience a new way to travel.

Travel first class in every seat, every day. Because when you're in the S90 you're in your own private lounge, a place where comfort and luxury combine with technology and craftsmanship.

It starts with the front seats. Sculpted to complement the human form, they provide superb support and a wide range of adjustment, so everyone can find their ideal seating position. The ergonomic design means that you arrive feeling as fresh as you did when you set off, however long the journey, while optional ventilation functions provide even greater comfort. The shape of the backrests increase legroom for passengers in the rear, and optional individually controlled heated rear seats mean everyone benefits from the same levels of comfort.

At night the cabin glows with the warmth of its interior lighting, welcoming you into

the car. The optional high-level illumination package includes backlit door handles and illuminated tread plates, as well as additional interior lighting to enhance the ambience.

CleanZone technology means the air you breathe inside the car is cleaner than the air outside. It filters dust, pollen, particles, and odors while monitoring the air quality and closing the intakes if pollutant levels rise too high. It happens automatically – all you need to do is set your desired temperature and the S90 does the rest.

Optional four-zone climate control allows rear seat passengers to choose their own settings using a dedicated touch screen. It also includes an air-conditioned glovebox that keeps its contents cool, so warm days don't equate to warm drinks.

The optional power operated trunk lid has a hands-free function so you don't have

to put down what you're carrying to open it. In the S90, technology and convenience go hand in hand.

In the driver's seat you're in charge. Control functions such as navigation and entertainment right from the steering wheel buttons, while the optional 12-inch driver display keeps you informed.

Every element of the cabin is crafted to make form and function one. Even the door handles can be backlit, making them easier to find in the dark.

Beautiful, natural materials such as Linear Walnut complement the car's advanced technology, creating a uniquely contemporary look.



In the driver's seat you're in charge. Access control functions such as navigation and entertainment from the steering wheel buttons, while the optional 12-inch driver display keeps you informed.



Every element of the cabin is crafted to make form and function one. The door handles can be backlit, making them easier to find in the dark.



Beautiful, natural materials such as Linear Walnut complement the car's advanced technology, creating a uniquely contemporary look.

Volvo On Call. Experience a world where you are always connected to your car with the Volvo On Call phone app.

Using your smartphone's GPS, it will help you locate your Volvo in a crowded parking lot by sounding its horn and flashing its indicators to let you know where it is. Volvo On Call will lock and unlock your vehicle remotely and, on cold mornings, the remote engine start allows you to heat and defrost your car so that you start the day in comfort. Find a destination on your phone and send it to the car so that when you're ready to go, so is the navigation system.

It also informs you of your car's fuel level, logs journey data, and tells you when your Volvo is due for service. It's another example of Volvo Cars developing human-centric innovations to improve your life.

T5 | Momentum | 714 Osmium Grey metallic | optional 19" 5-Triple Spoke Matt Tech Black/Diamond Cut, 498

"Sensus connects you with your Volvo and the rest of the world."

SENSUS

Intuitive, intelligent technology to always keep you connected.

Sensus has a guiding principle – to make your life easier and more enjoyable, whether it's your comfort, entertainment, or navigation requirements. Sensus connects you with your Volvo and the rest of the world. It keeps you informed, entertained, and in control of every journey.

Intuitive, easy-to-use controls are a prime feature of Sensus and you will find them on the large, 9-inch Sensus Touchscreen

center display. Replacing physical buttons with virtual equivalents on the screen allows them to be larger and easier to use. Bold, clear graphics make it easy to absorb information at a glance. Our philosophy has always been that you should be able to operate your Volvo and keep your eyes on the road. The optional head-up display means you can do just that while staying completely informed.

And Sensus goes further, with in-car Wi-Fi keeping your devices connected to the internet, while our audio systems offer considerable flexibility when it comes to choosing your desired music source and tailoring its sound to suit your needs.

The Sensus experience enriches every moment that you spend in your Volvo.

“Turn the center display into an extension of your iPhone using Apple CarPlay™.”

Connecting you with a world of entertainment.

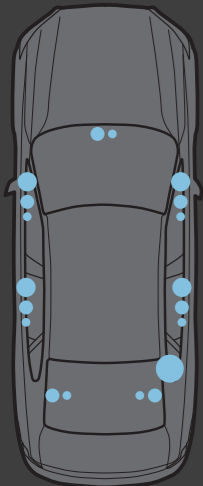
Get closer to the music you love, no matter which seat you're in. With Sensus all of your music is available all of the time, whether it's direct from your favorite media source or streaming from the internet.

It all begins with the 9-inch Sensus Touchscreen center display. The surface responds to the lightest of touches – you only need to brush your fingers over the glass to operate the controls. It even works with gloved hands.

Connecting your devices to the S90 is quick and easy. Simply plug your iPhone into the car using the USB connection and you can turn the center display into an extension

of your iPhone using Apple CarPlay™. When it's connected your phone will be charging, too.

Your choice of entertainment is not limited by what you have on your smartphone or portable audio player. Wi-Fi and tethered internet increases your choice, with a fast and reliable connection. The built-in entertainment apps make finding new music quick and easy, from internet radio to on-demand services. Our High Performance audio options are tuned to make the most of your music, while Premium Sound by Bowers & Wilkins takes the listening experience to another level.



Premium Sound by Bowers & Wilkins gives every occupant of the S90 a superb audio experience, no matter which seat they are sitting in. Developed with Bowers & Wilkins, creators of high-end audio, this innovative technology brings exceptional clarity and realism to your favorite music. The unique fresh-air subwoofer delivers richer, deeper bass by drawing air in from outside the car so it can pulse more air through the speaker. There

are 19 speakers, allowing everyone in the car to get the best possible sound, all the time. And you get closer to the performance by using one of the system's three room modes to bring the music to life. Concert mode recreates the unique acoustic experience of the Gothenburg Concert Hall, while Stage and Studio modes put you at the heart of the music, allowing you to hear it as the musicians intended.



Get to your destination every time, with ease.

Let the S90 be your guide, helping you find your destination and keeping you informed. Our sophisticated navigation uses intuitive technology so that wherever you go, you'll get there quickly and easily.

Everything you need to know is shown on the optional 12-inch driver display (standard for the T6 and optional for the T5) right in front of you. The high-resolution image self-adjusts so it's never too bright, automatically resizing the instruments to accommodate navigation information. The optional head-up display projects all the vital information onto the lower part of the windshield, appearing as if it is hovering in front of the car.

It means you stay informed without ever having to take your eyes off the road. Getting to your destination is made even easier with the clear graphics of our maps. Always one step ahead, Sensus will guide you accurately. And, because we give you free lifetime mapping upgrades, you can be confident that the information your vehicle is displaying will always be up to date.

Sensus also saves you time by helping you find what you're looking for, with built-in navigation apps capable of locating a parking space and finding gas stations.

With Sensus taking care of the way ahead, you can enjoy the journey.



Voice control. Controlling Sensus is as easy as telling it what to do. Talk to your Volvo, using natural phrases such as "Go to 24 Main Street, New York" or "Call John Smith," and voice control will carry out your instructions to operate climate control, navigation, infotainment, and your smartphone.

Center display. The portrait format center display with 9-inch Sensus Touchscreen makes reading maps and following navigation prompts straightforward. Maps appear as they would in an atlas and they scroll less, so you can see where you're going and what's coming next. Its clarity, size, and orientation make it the ideal companion for every journey. Sensus can even sync with your calendar to remind you of appointments and tell you how to get to them.

"Journeys are more relaxed with IntelliSafe there to help you."

INTELLISAFE

Safer journeys made more enjoyable.

IntelliSafe is our name for the intuitive, intelligent technologies that support your driving, prevent accidents, and protect you in a collision. This innovative technology plays a key role in helping achieve our bold vision that, by 2020, no one will be killed or seriously injured in a new Volvo car.

Fitted as standard to all of our cars, City Safety is like a co-pilot that's always looking out for you, detecting danger ahead, then warning you and intervening if necessary. It identifies other vehicles, pedestrians, cyclists, and large animals ahead of you, even at night. It warns you of any hazards and, if

you don't react, it will brake automatically to avoid or mitigate a collision.

Pilot Assist adjusts the steering to ensure that the car is centered in its lane and keeps the car at a constant speed or a set distance from the car in front. Run-off Road Mitigation is a world-first that steers and, if necessary, brakes for you to prevent you from leaving the road accidentally. Driver Alert Control recognizes if you're tired or distracted and suggests that it's time to take a break, while Road Sign Information reminds you of the speed limit.

Add IntelliSafe Surround and get BLIS™ (blind spot information system) for increased awareness and confidence on the highway, alerting you to vehicles alongside you. Cross Traffic Alert keeps an eye out behind your Volvo and tells you if there's another road user behind you when you're reversing out of a parking space.

With IntelliSafe, your Volvo takes care of you and those around you. All you need to do is keep your hands on the wheel and enjoy the drive.

The power to protect. Hidden behind the striking front-end lies an arsenal of safety technology that makes driving safer and easier. So whatever you encounter, your Volvo will always protect you and your family.

FIND OUT MORE AT VOLVOCARS.US

T6 AWD | Inscription | 721 Mussel Blue metallic | optional 20" 8-Spoke Silver/Diamond Cut, 214



INTELLISAFE

Perfect parking, every time.

Park Assist Pilot is like having someone park your car for you. It tells you if a parking spot is the right size for your Volvo and then takes over the steering to place it in. It requires a space just 1.2 times the length of your Volvo, so it can tackle even the tightest of spaces. Engage a gear, accelerate, and brake according to the screen prompts and your Volvo will take over the steering completely to maneuver your car into the space. If you want to park the car yourself, the optional 360° camera will help you fit into the space with confidence.

READ MORE AT VOLVOCARS.US

T6 AWD | Inscription | 721 Mussel Blue metallic | optional 20" 8-Spoke Silver/Diamond Cut, 214

INTELLISAFE



With standard fitted Pilot Assist, your Volvo helps make every journey easier and more relaxing. At speeds of up to 80 mph, Pilot Assist keeps your Volvo at a set speed and distance from other vehicles and, by making small adjustments to the steering, in the center of the lane.

At differences in speed up to 31 mph, City Safety prevents you from colliding with the vehicle in front by braking if you don't, should it detect that an impact is imminent. At higher speeds the collision is mitigated.

Keep your eyes on the road and let our BLIS™ (blind spot information system) keep an eye on your surroundings. Radar sensors keep constant watch in order to alert you if a vehicle enters your blind spot. And, when you're driving on a highway, you'll know when it's safe to pull out into the next lane because your Volvo will warn you of any fast-moving vehicles approaching from the rear.

With our Cross Traffic Alert technology you can reverse out of a space safely, knowing that there are no vehicles about to collide with you. This technology can spot vehicles approaching from either side of your Volvo at a distance of up to 98 feet, and warn you of cyclists and pedestrians at shorter distances.

READ MORE AT VOLVOCARS.US

T5 | Momentum | 714 Osmium Grey metallic | optional 19" 5-Triple Spoke Matt Tech Black/Diamond Cut, 498



Protecting what's most important.

Protecting you and your passengers has always been our priority at Volvo Cars, and our latest generation of cars does more than ever to keep you safe. From preventative technology that helps you avoid collisions to protective features that cushion the impact of any collision, we will never stop innovating in order to improve your safety.

Your Volvo surrounds you with protective safety. The foundation for our new generation of cars is a very strong passenger compartment that uses a high percentage of ultra

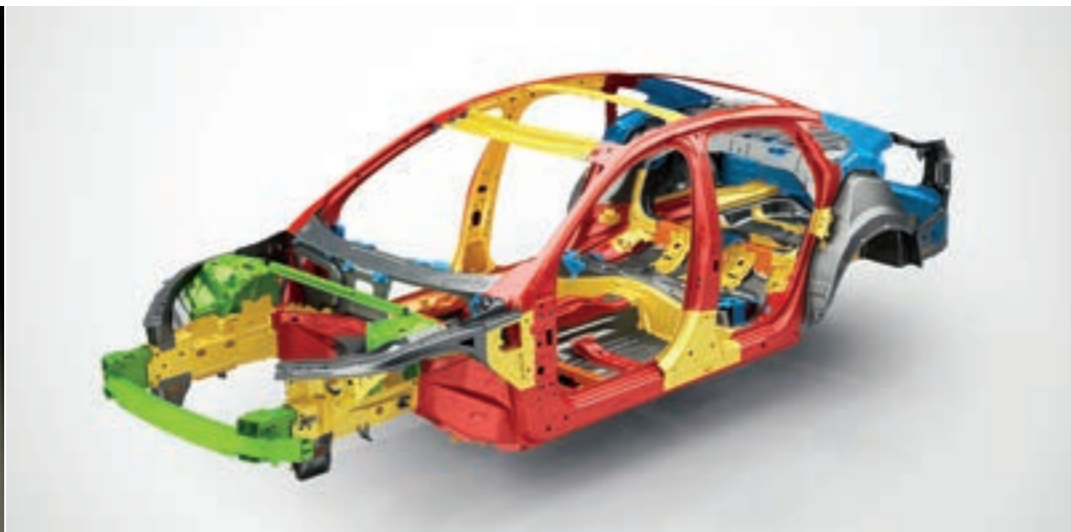
high-strength steel to create a protective cage around you and your passengers.

Volvo Cars gave the world the three-point safety belt in 1959 and our latest developments continue this commitment to life-saving inventions. Run-off Road Mitigation is an emergency system, which intervenes with steering inputs, braking if it detects you are about to drive off the road.

Should your car leave the road, Run-off Road Protection technology reduces your chances of suffering serious injury. Prepared

front safety belts automatically tighten when the car senses that an impact is imminent, ensuring that you and your passengers are in the safest position if a collision occurs. Our unique energy-absorbing seats also protect your spine in the event of a firm landing should the car become airborne.

It's this range of safety technologies and attention to detail that makes your Volvo a safe place to be.



Volvo is synonymous with road safety. We put our first safety cage in production in 1944, and created the three-point safety belt back in 1959. We're still innovating today. Prepared front safety belts tighten automatically if the car detects that a collision is likely, to ensure you're in the safest position should one occur.

The sculpted front seats in the S90 are more than just beautiful to look at. Their unique structure helps to absorb vertical impacts, protecting your spine if the car lands heavily after leaving the road or becoming airborne. It's another example of how we make every part of a Volvo work harder for your safety.



"Balancing performance and efficiency, every Volvo powertrain gives you on-demand power with low fuel consumption and emissions."

DRIVE-E

Enjoying more, using less.

Every new Volvo gives you on-demand power with low fuel consumption. We achieve this with Drive-E, the cutting-edge technology behind every one of our advanced four-cylinder gasoline engines, which maintain the perfect balance between performance and efficiency.

Smaller engines lose less energy through friction so they can make every drop of fuel work harder to minimize emissions. We've used low-friction components to make them run smoother and more efficiently. Reducing

size and weight has freed up interior space and improved the car's handling.

Our eight-speed Geartronic™ automatic gearbox makes the most of each engine's potential. Designed to minimize power loss and maximize performance, Geartronic™ will always select the right gear for whatever comes next, or you can choose to change gears yourself in manual mode.

To help you drive more efficiently, select Eco mode and the S90 recalibrates the drivetrain for the lowest possible fuel-

consumption and emissions. The coast function disconnects the engine from the automatic transmission when you release the accelerator at speeds above 40mph so it isn't being used to slow the car.

At Volvo Cars, by looking to the future we enhance your life today. Drive-E brings together advanced technologies to create a better world and a better drive.



Driven to perfection.

We designed the S90 from the ground up for precision and comfort, so you'll enjoy every drive without feeling tired when you arrive. That's why the sophisticated suspension gives you the best of both worlds. Accuracy and precision when you want it, backed up by comfort and technology to make every drive enjoyable.

Double wishbone front suspension works in harmony with the rear Integral link to give you precise control over the car. The optional premium air suspension in the rear compensates for loads, while adapting to the road and driving conditions for an even better ride. Advanced driver aids such as stability control and understeer control logic keep the S90 stable, improving the way it handles corners. All-wheel drive models provide even greater reassurance on demanding roads.

As an option, you can choose between three drive modes that allow you to tailor the car's behavior to your mood and find the perfect setting for the road you're on. Altering the engine, gearbox, accelerator and steering response changes the way the car behaves and, with the optional active chassis with premium air suspension, how it rides and handles.

And when you come to a stop, the S90 helps you to get going again. Hill Start Assist makes pulling away on an incline effortless by holding the car on the brake until you press the accelerator. Auto Hold keeps the brakes on after you've released the pedal, so you can let the car do all the work in stationary traffic.



FREEDOM OF CHOICE, YOUR CHOICE

In a Volvo, you can enjoy the finer aspects of freedom. Such as the freedom to explore new roads, the freedom to enjoy the experience and – not least – the freedom to create a car that matches your style and personality. Choosing a Volvo is more than a statement of your personality. It's about knowing what's most important in life and

going in that direction. To show a greater care for people and the world we share, and never compromise with design and quality.

To ensure you get your new Volvo S90 exactly as you want it, we have created a wide range of options, trim levels and personal expressions. Even if your S90 is already generously equipped in the

standard Momentum trim level, you may want to indulge your senses in the finest Scandinavian luxury. This is when you'll feel at home with Inscription. Whatever you prefer, you can rest assured there's a Volvo S90 for you. Read on, and see what your new S90 will look like.



Picture shows optional 19" 5-Triple Spoke Tech Matt Black Diamond Cut Alloy Wheel, 498.



Picture shows optional 20" 8-Spoke Silver Diamond Cut Alloy Wheel, 214.

VOLVO S90 MOMENTUM

- High-gloss black grille with glossy chrome frame
- Color-coordinated lower body moldings
- Black lower outer grilles with glossy black deco strip
- Side window frames with high-gloss chrome finish
- 18" 5-Double Spoke Silver Bright Alloy Wheel, 149
- Dark Flame Birch Wood inlays
- Comfort seats with leather upholstery
- Dual Visible Round Tailpipes with Chrome Sleeves (T5)
- Dual Integrated Tailpipes (T6)



VOLVO S90 INSCRIPTION

- Matte silver-colored grille with waterfall theme, glossy chrome frame
- Color-coordinated lower body moldings with high-gloss chrome strip and Inscription logo
- Black lower outer grilles with chrome deco strip
- Side window frames with high-gloss chrome finish
- 19" 10-Spoke Silver Diamond Cut Alloy Wheel, 150
- Linear walnut wood inlays
- Comfort seats with perforated Nappa leather upholstery
- Dual Integrated Tailpipes
- Active Bending Lights



MOMENTUM



614
Ice White



707
Crystal White metallic



711
Bright Silver metallic



467
Magic Blue metallic



714
Osmium Grey metallic



717
Onyx Black metallic



721
Mussel Blue metallic



019
Black Stone



719
Luminous Sand metallic



18" 5-Double Spoke,
Silver, 149
(standard T5)



18" 10-Spoke,
Turbine Silver Bright, 154
(standard T6)



19" 5-Triple Spoke,
Matt Tech Black/Diamond Cut, 498
(optional T5 and T6)



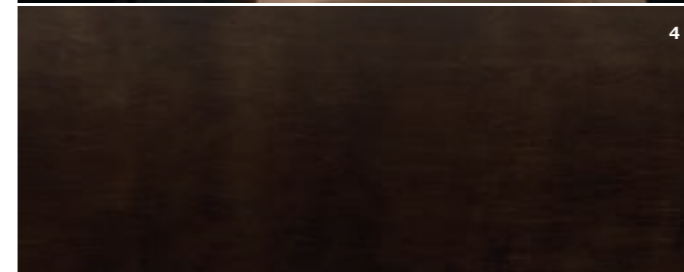
1



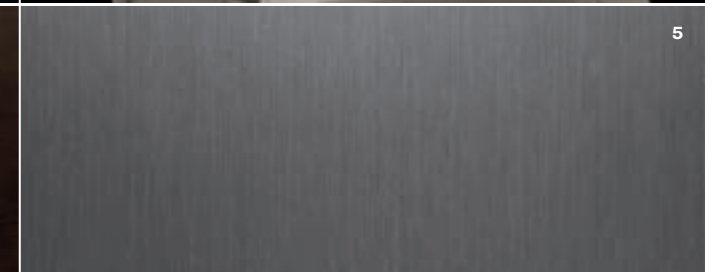
2



3



4



5

UPHOLSTERIES Leather, Comfort seat 1. Charcoal in Charcoal interior, RA00 (standard T5 and T6) 2. Amber in Charcoal interior, RA20 (standard T5 and T6) 3. Blond in Blond/Charcoal interior and Charcoal base carpets and mats, UA00 (standard T5 and T6)

INLAYS 4. Dark Flame Birch (Standard) 5. Iron Ore Aluminium (Optional)

Inscription



614
Ice White



707
Crystal White metallic



711
Bright Silver metallic



467
Magic Blue metallic



714
Osmium Grey metallic



717
Onyx Black metallic



721
Mussel Blue metallic



019
Black Stone



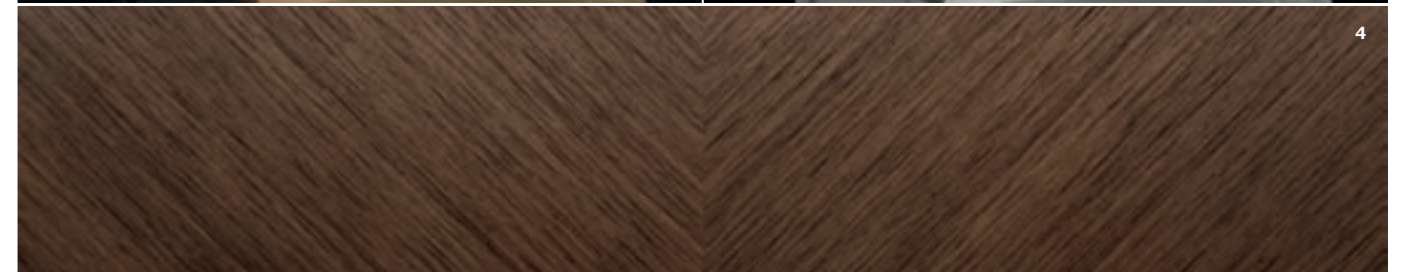
719
Luminous Sand metallic



19" 10-Spoke,
Silver/Diamond Cut, 150
(standard T5 and T6)



20" 8-Spoke,
Silver/Diamond Cut, 214
(optional T5 and T6, Summer/Performance tire)



UPHOLSTERIES Fine Nappa Leather Perforated, Comfort seat ventilated **1.** Charcoal in Charcoal interior, RC00 (standard T5 and T6) **2.** Amber in Charcoal interior, RC20 (standard T5 and T6) **3.** Blond in Blond/Charcoal interior and Charcoal base carpets and mats, UC00 (standard T5 and T6)

INLAYS **4.** Linear Walnut (standard)



Your S90, your way.

Make the S90 your own with Volvo styling accessories; the perfect addition to your new car. Choose either the trunk lid spoiler or the dual integrated split tail pipes.

Designed to perfectly complement the

S90, the exterior styling options allow you to create an individual look.

The trunk lid spoiler makes the S90 look even more dynamic when viewed from the rear or side.

At the rear, dual integrated split tail pipes give the car a powerful presence. These

replace the standard round tail pipes on T5 Momentum models. A body-colored rear diffuser that recreates the look of Inscription models is an additional upgrade for the Momentum trim that enhances the more opulent look.

S90 STANDARD FEATURES

STANDARD FEATURES	T5	T6 AWD
Value:		
Complimentary Factory Scheduled Maintenance for 3 years, 36,000 miles. 4 years, 50,000 miles New Car Warranty.	●	●
Safety		
Volvo On Call includes: Convenience features – Remote Lock/Unlock, Send to Car, Vehicle Tracking – with 6-Month Subscription	●	●
Pilot Assist – Semi Autonomous Drive System	●	●
Collision Avoidance by City Safety Low and High Speed Collision Mitigation, Pedestrian, Cyclist and Large Animal Detection	●	●
Run-off Road Mitigation and Run-off Road Protection	●	●
Lane Departure Warning and Road Sign Information	●	●
Driver Alert	●	●
Exterior		
Power Sunroof with Sunshade	●	●
18" 5-Double Spoke Alloy Wheels in Silver Bright	●	N/A
18" 10-Spoke Turbine Alloy Wheels in Silver Bright	N/A	●
Adjustable drive mode settings	●	●
Dual Visible Tailpipes with Chrome Sleeves	●	N/A
Dual integrated tailpipes	N/A	●
LED Headlights with Thor's Hammer	●	●
LED Fog Lamps with Corner Illumination	●	●
LED Taillights with Side Marker Lights	●	●
Front Grille, High-Gloss Black with Glossy Chrome Frame	●	●
Door handle illumination	●	●
Interior		
Leather Upholstery with Comfort Seats	●	●
10-way, Power Front Seats incl. Power Lumbar and Driver Seat Memory	●	●
Sensus Navigation	●	●
Volvo Sensus Connect with 9" touchscreen incl. 6-Month Complimentary Subscription	●	●
8" Driver Display (Digital Instrument Cluster)	●	N/A
12.3" Driver Display (Digital Instrument Cluster)	○	●
High Performance Audio with 10 speakers, 330W, 1 USB, & AUX input	●	●
Sirius™ Satellite Radio with 6-Month Subscription	●	●
Clean Zone Air Quality System	●	●
Leather Steering Wheel	●	●
Dark Flame Birch Wood Inlays	●	●
Volvo Aluminum Sill Plates	●	●
Auto Dimming Mirror	●	●

STANDARD FEATURES	T5	T6 AWD
Convenience functional		
Keyless Entry & Drive	●	●
Rear Park Assist Camera	●	●
Rear Park Assist	●	●
Power-Folding Rear Head Restraints (outer positions)	●	●
Tempa Spare Wheel incl jack kit	●	●
Cargo Opening Scuff Plate	●	●

INSCRIPTION TRIM LEVEL

STANDARD FEATURES	T5	T6 AWD
Full LED Headlights with: Active Bending Lights (ABL), Auto Highbeam (AHB) and Thor's Hammer DRL, Headlight High-Pressure Cleaning	●	●
12.3" Driver Display (Digital Instrument Cluster)	●	●
Illuminated Volvo Aluminum Sill Plates	●	●
High-level Interior Illumination	●	●
Linear Walnut Wood Inlays	●	●
Heated Front Seats	●	●
CarPlay and USB Hub	●	●
Leather Remote Key	●	●
Ventilated Front Seats	●	●
Power Side Support, Front Seats	●	●
Power Cushion Extension, Front Seats	●	●
4-Zone Electric Climate Control and Cooled Glovebox	●	●
Laminated Side Windows	●	●
Nappa Soft Leather Upholstery	●	●
19" 10-Spoke Alloy Wheels in Silver Diamond Cut	●	●

S90 SINGLE OPTIONS

SINGLE OPTIONS	T5	T6 AWD
Metallic Paint	○	○
Iron Ore Aluminum Inlays No cost deletion from wood (Momentum only)	○	○
Leather steering wheel with wood inlay (N/A on Inscription)	○	○
Premium Air Suspension in Rear	○	○
Bowers & Wilkins Premium Sound with CD player	○	○
Graphical Head-Up Display	○	○
19" 5-Triple Spoke Alloy Wheels in Tech Matt Black Diamond Cut (Momentum only)	○	○
20" 8-Spoke Alloy Wheels in Silver Diamond Cut (Inscription only, Summer/Performance tire)	○	○
Charcoal headliner (Charcoal interior only)	○	○
Heated front seats	○	●
Leather Dash Board and Upper Door Panels (Inscription only)	○	○

● = Standard ○ = Optional N/A = Not available

* Deletes heated windshield if Climate Package is ordered

** Requires Convenience Package

*** N/A with WAA00, WC00, UA00, UC00 or UB01

S90 OPTIONAL PACKAGES:

MOMENTUM PLUS PACKAGE

(N/A for Inscription)

- Full LED Headlights with Active Bending Lights (ABL), Auto Highbeam (AHB) and Thors Hammer DRL
- Headlight High Pressure Cleaning
- 4-Zone Electric Climate Control and Cooled Glovebox
- 12.3" Driver Display (Digital Instrument Cluster) (standard T6 AWD)
- CarPlay and USB Hub

VISION PACKAGE

- Automatically Dimmed Inner and Exterior Mirrors
- Retractable rear view mirrors
- Blind Spot Information System and Cross Traffic Alert
- 360° Surround View Camera

CLIMATE PACKAGE

(Momentum and T5)

- Heated Front Seats
- Heated Rear Seat, outer positions
- Heated Steering Wheel
- Heated Washer Nozzles (wet arms)
- Heated Windscreen N/A with Head Up Display

CLIMATE PACKAGE

(Inscription and T6)

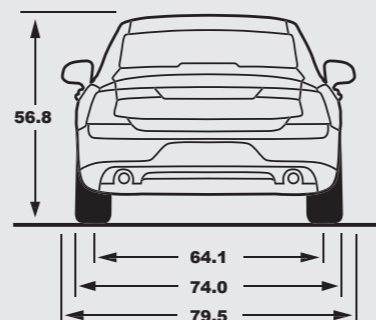
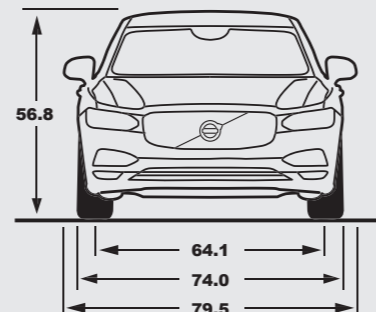
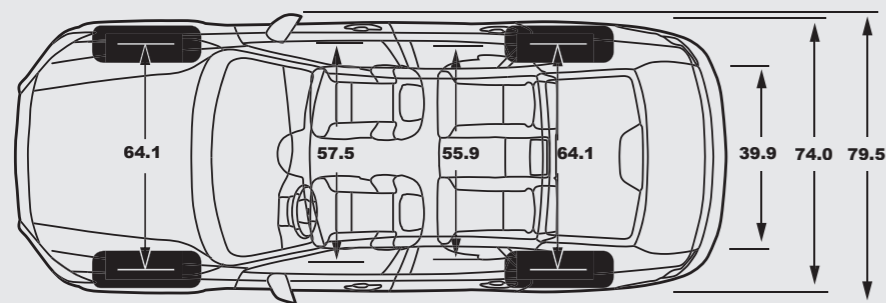
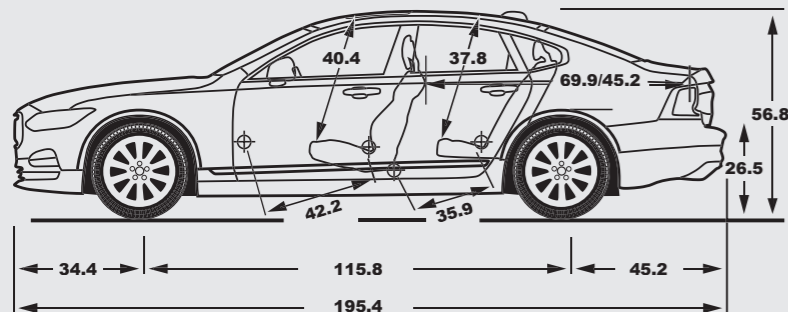
- Heated Rear Seat, outer positions
- Heated Steering Wheel
- Heated Washer Nozzles (wet arms)
- Heated Windscreen N/A with Head Up Display

CONVENIENCE PACKAGE

- Park Assist Pilot and Park Assist Front (Rear std)
- Homelink™
- Compass (Inner Rear View Mirror)
- 12V Power Outlet
- Power Operated Trunklid



The Bluetooth word mark and logos are owned by the Bluetooth SIG, Inc. and any use of such marks by Volvo Car Corporation is under license. Other trademarks and trade names are those of their respective owners.



	T5	T6 AWD
Engine type	2.0 I4 turbocharged	2.0 I4 supercharged and turbocharged
Transmission	Eight-speed Geartronic™	Eight-speed Geartronic™
Fuel consumption (mpg) highway/city	34 / 23 (Preliminary)	30 / 21 (Preliminary)
Max power output (hp)	250 @ 5500 rpm	316 @ 5700 rpm
Max torque (lb/ft)	258 @ 1500 – 4800 rpm	295 @ 2200 – 5400 rpm
Fuel tank (gallon)	14.5	15.9
Environmental classification	TBD	TBD

Please note: Some of the information in this brochure may be incorrect due to changes in product specifications that may have occurred since printing. Some of the equipment described or shown may now only be available at extra cost. Before ordering, please ask your Volvo Cars dealer for the latest information. The manufacturer reserves the right to make changes at any time and without notice to prices, colors, materials, specifications and models.

The most carefree way to own a car. Ever.

LEASING OPTIONS

FLEXIBLE TERMS

Leasing is available for terms as short as 24 months or up to 48 months. You can drive a new Volvo car every few years while within the manufacturer warranty and maintenance plans and without the burden of negotiating trade-in values.

CHOICE OF MILEAGE PLANS

The standard mileage option allows up to 15,000 miles per year, however, several other mileage plans are available to tailor to your commuting needs. Under the low mileage plan, options are available as low as 10,000 miles per year and we also offer a high mileage plan with options as high as 30,000 miles per year.

SINGLE PAYMENT LEASE

A single payment lease provides convenience and savings. You make only one payment, one time, freeing you from monthly payments. It permits you to prepay all monthly payments in a single payment at lease signing. This single total lease payment is less than the amount you would pay over the term of a conventional lease.

MULTIPLE SECURITY DEPOSIT LEASE*

A multiple security deposit lease allows you to place a lump sum refundable security deposit at lease inception, which reduces your monthly rent charge resulting in substantial savings over the term of the lease. The additional security deposits are refunded to you at the end of the lease term.

* Multiple Security Deposit Lease is not available in NY.

BUSINESS LEASE

Under our business lease option, owners have the flexibility to lease the vehicle as the business.

GUARANTEED AUTO PROTECTION (GAP) WAIVER

Our GAP Waiver is included in your lease agreement at no additional cost to you. It is provided to give you peace of mind. If your leased Volvo car is declared a total loss due to theft, accident, or natural disaster, we will cover the difference between the insurance proceeds and the balance owed to Volvo Car Financial Services less any deductible.

EXCESS WEAR AND USE PROTECTION PLAN**

As a part of everyday driving, normal wear and use can be expected. However, when turning in your leased vehicle, you may be responsible for any excess wear and use damage, therefore, Volvo Car Financial Services offers an optional plan to protect you and your car from unexpected occurrences that happen from nature and chance.

** Excess Wear and Use Protection Plan is optional and not available in AK, GA, KS, NM, NY, TX, UT and VT.

FINANCE OPTIONS

Volvo Car Financial Services (VCFS) offers affordable and competitive financing on new and Volvo Certified Pre-Owned cars. Our low rates and flexible terms can get you behind the wheel of the Volvo you want to drive with finance terms up to 75 months. Volvo Car Financial Services also offers financing on vehicles purchased under the Overseas Delivery Program.

SPECIAL PROGRAMS

COLLEGE GRADUATE PROGRAM

You've worked hard to earn your degree. Now the Volvo Graduate Program can make it easy for you to drive a Volvo car. With flexible and competitive financing options available for graduates, Volvo Car Financial Services can help you to step into the luxury of driving a Volvo car with only a 5% down payment upon credit approval.

VOLVO MOBILITY PROGRAM

The goal of the Volvo Mobility Program is to assist persons with physical disabilities or hearing impairment. For those with exceptional transportation needs, this can be facilitated within the extraordinary comfort and safety of a specially adapted Volvo car. For additional information on this program, please contact **Mobility by Volvo Customer Care at (800) 550-5658**.

PERSONAL SHOPPER

The Volvo Personal Shopper is dedicated to providing you with a whole new level of shopping convenience. Whether you'd like help identifying the Volvo model that best fits your lifestyle, detailed information on any Volvo model, or a comparison against the competition, Volvo is there to help. We can arrange a Guest Drive for you at your nearest Volvo Retailer. So make the most of your shopping time and call the Volvo Personal Shopper at 1-800-550-5658.

VOLVO OVERSEAS DELIVERY PROGRAM

The Volvo Overseas Delivery Program offers a unique way to buy your new custom-built car as well as a unique way to see more of Europe. When you're done traveling, bring the pleasure of driving a Volvo car back home. Purchase any new Volvo car as part of the Volvo Overseas Delivery Program and enjoy all this, and more:

- Attractive pricing on U.S. models.
- Access to colors and certain features normally only available in Europe.
- 15 days of international insurance and temporary European registration included.
- Two complimentary round-trip tickets to Scandinavia (a peak season surcharge may apply).
- One free hotel night in Gothenburg, Sweden, the home of Volvo Cars.
- An exciting Volvo Cars factory tour or a visit to the new Volvo Brand Experience Center.
- An exclusive VIP delivery experience at the Volvo Cars Factory Delivery Center.
- The opportunity to explore Europe in the comfort and safety of your own Volvo car, either with one of our spectacular tours or on your own.
- Complimentary home shipment services. Just leave your car with us. We'll ship it to you the convenient way while you relax and enjoy your complimentary flight back home.

Can you think of a better way of traveling overseas and making your souvenir part of an unforgettable experience? If you would like to know more, contact your local Volvo car retailer, our Customer Care Center (800) 631-1667, or visit www.volvocars.com/us/shopping-tools/explore/overseas-delivery

SERVICE AND WARRANTY

VOLVO ROADSIDE ASSISTANCE

Whenever you need us, we're just a phone call away. Our nationwide network of retailers and authorized service providers are ready to assist. Whether you require roadside assistance or maps and routing information for your next trip, refer to your Volvo Roadside Assistance card and dial **1-800-63-VOLVO** at any time. Your complimentary four-year membership activates the moment you become a Volvo owner. A connection to Volvo Roadside Assistance can also be made through our free app. Download it for iPhone or Android by typing Volvo Roadside Assistance/US through your app store.

VOLVO NEW CAR WARRANTY

Your new-car warranty provides comprehensive coverage for four years or 50,000 miles, whichever occurs first. Additional warranties cover corrosion, seat belts, the supplemental restraint system, hybrid components emission systems, genuine Volvo car replacement parts and genuine Volvo accessories. Should you encounter any problem with your Volvo car, simply contact the nearest retailer for assistance. Where your warranty ends, Volvo Increased Protection (VIP) plans begin. To purchase the additional protection of a VIP plan, contact your local retailer.

COMPLIMENTARY FACTORY SCHEDULED MAINTENANCE

Volvo Cars is committed to a premium ownership experience for its customers. To further enhance your ownership experience, all 2017 model year Volvo cars sold in the United States will include Complimentary Factory Scheduled Maintenance. This program provides scheduled maintenance coverage for the first three years or 36,000 miles, is designed to complement your Volvo warranty, and will help ensure trouble free operation of your Volvo. Coverage includes factory recommended maintenance including oil and filter changes, checks and adjustments as listed in your Warranty and Maintenance Records Information booklet, for the first three maintenance services at intervals of 10,000, 20,000 and 30,000 miles.

Service must be performed within 1,500 miles before or after each scheduled interval. Coverage is limited to scheduled maintenance items listed in the 2016 model year Warranty and Maintenance Records Information booklet. An authorized retailer must perform maintenance. Offer is transferable. Optional Factory Scheduled Maintenance program upgrades are also available that will allow you to customize coverage to meet your driving needs. See your Volvo retailer for details.

SERVICE BY VOLVO

- Lifetime replacement parts and labor warranty
- Free software updates
- Complimentary diagnostics
- Car wash
- Alternative transportation

For additional information:
www.volvocars.com/us/servicebyvolvo

V O L V O

MODEL YEAR 2017 | VOLVOCARS.US

Specifications, features, and equipment shown in this catalog are based upon the latest information available at the time of publication. Volvo Car USA, LLC reserves the right to make changes at any time, without notice, to colors, specifications, accessories, materials, and models. For additional information, please contact your authorized Volvo Cars retailer. © 2016 Volvo Car USA, LLC. Printed in USA. **MY17**