

The GLE

Sport Utility Vehicle



Mercedes-Benz






Inhale freedom.

Dynamism. Assertiveness. The art of letting go. Those who possess both these qualities radiate a special serenity, know how to value their achievements and intensely enjoy every moment. Experience the new premium SUV from Mercedes-Benz. The new GLE. At home in every terrain.

IN ITS ELEMENT IN EVERY FORMAT.



Experience the new GLE in glorious HD. With the Mercedes-Benz brochure app for the iPad® and with the Digital Owner's Manual from "Mercedes-Benz Guides" for the iPhone®. Both apps feature a host of films and additional content and are available free of charge from the iTunes Store®.



Unique in every terrain.

2 | GLE 500 e 4MATIC
iridium silver metallic

AMG 5-twin-spoke light-alloy wheels, nappa leather upholstery in black pearl/black, light longitudinal-grain aluminium trim

10 | GLE 250 d 4MATIC
designo diamond white bright

5-twin-spoke light-alloy wheels, designo Exclusive nappa leather upholstery in espresso brown, brown open-pore ash wood trim

20 | Mercedes-AMG GLE 63 S 4MATIC
designo diamond white bright

AMG cross-spoke light-alloy wheels, AMG Exclusive nappa leather upholstery in espresso brown/black, AMG carbon fibre/black piano lacquer trim

Progressive down to the last detail.

26 | Mercedes me

32 | Engines

33 | PLUG-IN HYBRID

34 | Driving dynamics

35 | Off-Road Engineering package

36 | Driving Assistance package Plus

38 | Active Parking Assist

39 | Integral safety concept

40 | Infotainment, networking and multimedia

42 | Seating comfort and spaciousness

44 | Mercedes-AMG performance vehicles

48 | Mercedes-AMG technology

49 | AMG Performance Studio

50 | Equipment, packages and accessories

60 | Wheels

62 | Technical data and dimensions

65 | Upholstery and paintwork

The illustrations may include accessories and optional extras which do not form part of the standard specification.



Exude freedom.

The new GLE encapsulates a distinctive view of the world. Its confident stature, refined lines with high beltline and powerfully styled wheel arches are designed to appeal to leaders rather than followers. Inspired by those who embark on a new journey every day.



Independence is your constant companion.

In a familiar position, above it all. Supreme comfort abounds in the interior of the new GLE, which affords a generous feeling of space with its high-quality appointments and materials. And wherever the trip may take you, Mercedes connect me keeps you in touch with an even wider world: innovative connectivity services open up new and exciting digital-networking possibilities.





Swap wanderlust for
far-sightedness.



PLUG-IN HYBRID

How can energy be used even more efficiently? With forward-looking energy management – or what we call “Intelligent HYBRID”. This hybrid drive operating strategy not only takes account of the current driving status and the driver’s requirements, it also adapts in line with the possible topography for the next eight kilometres, such as uphill and downhill gradients or bends. To do this, the system accesses the COMAND Online navigation data to control charging and discharging of the high-voltage battery. By using the battery’s energy content for drive power prior to a downhill gradient so that the battery can then be recharged by recuperation when driving downhill.

Should a headwind on occasion arrive from the side.

It's a familiar situation. One which requires active intervention. This is precisely where Crosswind Assist comes in: if a gust of wind comes from the side, it can apply the brakes to keep the vehicle safely on track. Whichever route you choose – the new GLE guides you with precision.





DYNAMIC SELECT

One twist of the DYNAMIC SELECT Controller is all it takes to make a trip in the new GLE even more thrilling. How does it work? In "Sport" mode, the transmission and engine settings are changed. As are the steering and suspension settings if the AIRMATIC package is specified. For even more dynamism and agility. There is even an extreme "Sport+" mode for the Mercedes-AMG GLE 63 and Mercedes-AMG GLE 63 S; for a configuration worthy of the race track. With the suspension lowered by 25 mm.



Be it gravel, raw asphalt or dirt roads, you'll know the right way. With 4MATIC permanent all-wheel drive and the optional Off-Road Engineering package, you can be sure of optimum performance in any terrain. The variable vehicle body level and the "Offroad+" mode are just two of its greatest strengths. Your benefit: the best possible traction at all times.



Freedom to do what you want
whenever you want.

Feel at home wherever the route takes you. The generous spaciousness inside the new GLE offers an exclusive level of refinement. A haven with a personal ambience in which you feel just as comfortable as you do within your own four walls.

Redefining the meaning of
“second home”.







Indoor living.

Allow yourself to be touched by an elegance that is reflected in every last detail. From soft nappa leather in espresso brown to the warm grain of the fine wood trim. Aesthetically pleasing and intelligently thought-out spaciousness. Thanks to variable seats, you can use the rear space as you please. Quality and comfort – inextricably linked.



Arrive at
a new level.





Its agenda: high performance.

Energetic, expressive and ready for peak performance. The new Mercedes-AMG GLE 63 S 4MATIC – the fusion of premium SUV and motorsport technology. Ready and willing to tackle any terrain: the S-Model with specific AMG front apron with front splitter in silver chrome, A-wing in high-gloss black and black flics. Its powerful, dynamic rear end merits a chapter of its own – turn the page and see for yourself.







Its aspiration: higher.

High performance that gets deep under your skin. Experience the grip of the 3-spoke AMG performance steering wheel, AMG sports seats offering exceptional lateral support, and optional AMG trim in carbon fibre and high-gloss black piano lacquer. A composition with hand-built character.

What makes a car a Mercedes?

Deep-rooted traditions: in our case, it is innovative traditions that run deep. We have continually gone down previously uncharted avenues. Milestone by milestone. These ventures spawned the first vehicle with a crumple zone, the first ABS, the first diesel passenger car. The first car. But rather than dwelling on the past, let us look to the future.

Mercedes-Benz Intelligent Drive – on the road to accident-free driving. We develop intelligent assistance systems which actively support the driver and noticeably relieve their workload. They monitor and analyse the vehicle's surroundings and handling characteristics – and warn the driver if they identify any critical situations. When necessary, some of the systems are able to intervene to take corrective action. Potential dangers are identified earlier than ever – and ever more frequently avoided as a result. Discover the fascinating world of Mercedes-Benz Intelligent Drive at www.mercedes-benz-intelligent-drive.com

BlueEFFICIENCY – our vision of emission-free driving. Sustainability is a big word to which we lend real meaning in all that we do, down to the smallest details. From minimising the environmental impact of our production operations to alternative drive configurations.

30! years 4MATIC

4MATIC – driven by new challenges, the vision of optimum traction led the Mercedes-Benz engineers to the International Motor Show in Frankfurt. That is where, in 1985, they unveiled 4MATIC, an innovative traction system working with state-of-the-art microelectronics and hydraulics. Just two years later it entered series production in the E-Class. It has continued its triumphal advance ever since in virtually all model series. And on every terrain. 75 models are now out on the road with 4MATIC and it is tailor-made for each class. Comfortable and efficiently configured for the compact class, right through to extremely sporty for the Mercedes-AMG performance models. For more safety and an intensive driving experience in every single moment.

As you can see, we have major goals in our sights. And what could be better than seeing these aims achieved whilst on a long drive in a Mercedes?







Our next great innovation revolves around you.

Prepare to be inspired, surprised and thrilled by new services, products and experiences at www.mercedes.me. You are warmly invited to check out our theme stores in major cities such as Berlin, Hamburg, Munich, Paris or Tokyo.





Mercedes me. Welcome to your Mercedes-Benz world.

You have new questions, Mercedes-Benz has a new answer for you: Mercedes me. Your point of access to a fascinating world of personalised services from Mercedes-Benz. Offering innovative, individualised mobility, connectivity, finance and other services, as well as special brand experiences. New, simple and cutting-edge: www.mercedes.me

The new portal is open for you now – on your smartphone, tablet or PC. Climb aboard and let's shape tomorrow's world together.



Mercedes connect me is all about networking the vehicle with the driver – and more besides: the car is becoming part of the way we live, providing added comfort as well as the reassurance of being permanently connected, even while on the move. Mercedes connect me includes Standard Services, which are able to provide you with automatic support in the event of a breakdown or an accident, and Remote Online Services – the option enabling vehicle settings to be carried out by smartphone.



Mercedes finance *me*

Mercedes finance me offers you various routes to your vehicle of choice – by way of financing or leasing, for example. Daimler Financial Services will help you to identify which solution is best suited to you and what sort of insurance best meets your needs. Our leasing products not only enable you to drive the latest models at all times. You also enjoy maximum flexibility, as you pay not for acquisition of the vehicle, but only for its use. This also results in attractive monthly instalments. Our financing arrange-

ments enable you to pay for your vehicle of choice in a way that suits your personal budget. You can tailor your monthly instalments to your needs by deciding on an appropriate down-payment and term for your contract. Our car insurance solutions offer reliable protection for your budget and your vehicle. Any repair work that may be necessary will always be carried out by qualified specialists in accordance with the manufacturer's specifications.

Mercedes assist *me*

Mercedes assist me makes easy work of organising maintenance for your vehicle, providing a convenient online means of locating a Mercedes-Benz dealer in your neighbourhood and arranging a service appointment. The digital service report keeps you up to date on the current status of service work at all times. Our Service Contracts are the key to motoring without any worries. They offer you a reliable basis for long-term planning and transparency with regard to due items of maintenance work¹. Your authorised

Mercedes-Benz dealer will be happy to draw up an individual offer for you. Should you nevertheless require on-the-spot assistance due to a breakdown, an accident, a minor mishap or vandalism, you can rely on swift help from Mobilo². You are entitled to on-the-spot services, a replacement vehicle, towing or hotel accommodation for one night – for a period of up to 30 years in over 40 countries throughout Europe. And whenever you need assistance, you can reach us free of charge throughout Europe on 00800 1 777 7777³.

Mercedes move *me*

Mercedes move me offers access to the intelligent mobility solution moovel: this mobility app pools the offerings from various mobility providers to find the ideal route from A to B. car2go is the pioneer and market leader worldwide in free-floating car sharing, and car2go black stands for smartphone-based car sharing with comfortable Mercedes-Benz B-Class vehicles. The smartphone app Park2gether makes it easier for you to find a parking space.

Mercedes inspire *me*

Mercedes inspire me offers special brand experiences and an opportunity to engage in an inspiring dialogue. We aim to share our ideas with you and we would like to know your ideas and wishes. So that we can always offer you the best solutions. To this end we are developing a community, for example, and a growing range of offerings and experiences which go beyond the traditional vehicle-related topics – from areas such as events, travel and lifestyle.

¹ Please refer to the General Terms and Conditions for precise details. ² Upon expiry (two years after initial registration) a service at an authorised Mercedes-Benz service partner is sufficient to renew Mobilo.

³ Alternatively: +49 69 95 30 72 77 directly via Mercedes-Benz Contact. Calls to the hotline network entail charges.

What would motorsport be without Mercedes-Benz?

The first vehicle to ever win an automobile race was powered by a Daimler engine. The first Mercedes was a racing car. The Silver Arrows – a true legend. Mercedes-Benz has a long tradition of involvement with the world of sport. Motorsport shapes the brand and every vehicle bearing the Mercedes star to this day. Discover the brand's unique history first-hand: at the Mercedes-Benz Museum in Stuttgart.

↘ FIND OUT MORE

Discover just what has been moving the world for more than 125 years and take a journey through time as well as through the history of the automobile at the Mercedes-Benz Museum. More than 1500 exhibits await you on 16,500 sqm of floor-space, including unique gems such as the oldest surviving Mercedes from 1902 or the legendary gull-wing models. Welcome to a place of innovation:

www.mercedes-benz-classic.com/museum



What would Mercedes-Benz be without motorsport?

3 June 1934 marked the beginning of the Silver Arrows legend in the International Eifel Race at the Nürburgring. The Silver Arrows works team MERCEDES AMG PETRONAS continued this tradition in the 2014 Formula 1 season. Its successful involvement was crowned by the most impressive double victory of the season, with the team topping both the constructors' and the drivers' rankings. The team's successes are not restricted to the race track, however. Every mile raced also advances the development of hybrid technology for series production.

FIND OUT MORE

Fascinating Formula 1 goes multimedia:

<http://www.facebook.com/MercedesAMGF1>

<http://twitter.com/MERCEDESAMGF1>

<http://www.youtube.com/user/MERCEDESAMGPETRONAS>

<http://plus.google.com/+Mercedesamgf1/posts>

<http://instagram.com/MercedesAMGF1#>

<http://www.MercedesAMGF1.com>



MERCEDES AMG PETRONAS F1 W06 hybrid, 2015 season.



Save. Reduce. Minimise. Surge ahead.

Power, refinement and efficiency – the new **GLE 250 d 4MATIC** with an output of 150 kW (204 hp) and a torque of 500 Nm masters all three disciplines. To further reduce both fuel consumption and emissions, the 4-cylinder and 6-cylinder diesel engines are equipped with ECO technology packages, comprising measures that lower friction and flow losses, reduce component weights and improve on-demand system control. Thrilling V8 performance comes in the shape of the new **GLE 500 4MATIC** with an output of 320 kW (435 hp) and a torque of 700 Nm.

THE ENGINE RANGE

Diesel:

GLE 250 d with output of 150 kW (204 hp) and torque of 480 Nm

GLE 250 d 4MATIC with output of 150 kW (204 hp) and torque of 500 Nm

GLE 350 d 4MATIC with output of 190 kW (258 hp) and torque of 620 Nm

Petrol:

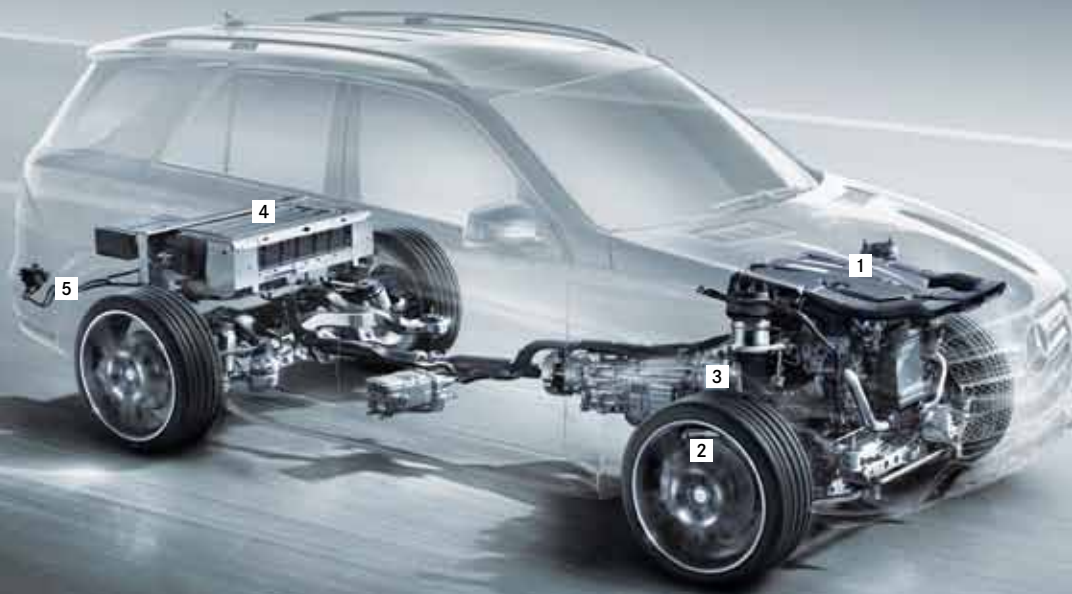
GLE 400 4MATIC with output of 245 kW (333 hp) and torque of 480 Nm

GLE 500 4MATIC with output of 320 kW (435 hp) and torque of 700 Nm

GLE 500 e 4MATIC, petrol engine with output of 245 kW (333 hp) and torque of 480 Nm, electric motor with output of 85 kW (116 hp) and torque of 340 Nm, system output and torque of 325 kW (442 hp) and 650 Nm respectively

Mercedes-AMG GLE 63 4MATIC with output of 410 kW (557 hp) and torque of 700 Nm

Mercedes-AMG GLE 63 S 4MATIC with output of 430 kW (585 hp) and torque of 760 Nm



GLE 500 e 4MATIC

The PLUG-IN HYBRID technology allows fast external charging from 20 to 100%¹ via a wallbox in just two hours or via a standard socket in a good four hours.

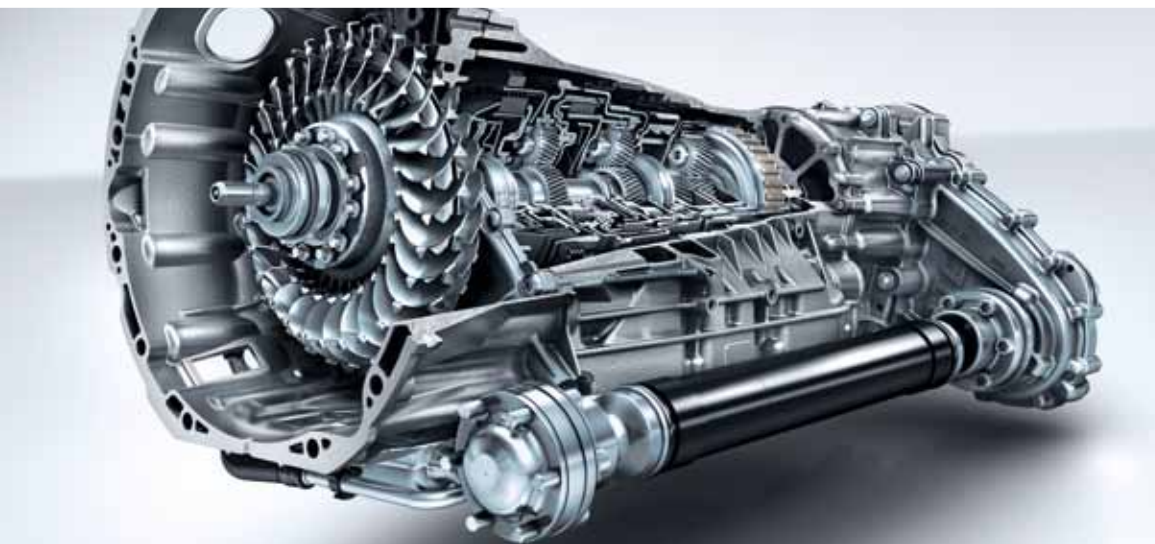
1 | 3.0-litre V6 petrol engine. **2** | Recuperative braking system. **3** | Electric motor. **4** | Lithium-ion high-voltage battery. **5** | Charging socket.

¹ Charging time 20–100%, ranging from 1.9 to 4 h, depending on the power source (400 V/16 A–230 V/8 A).

The new GLE 500 e 4MATIC. Electrifying power.

Enter a new era with pioneering **PLUG-IN HYBRID technology**. The new GLE 500 e 4MATIC combines a powerful 3.0-litre V6 combustion engine and an electric motor with an externally chargeable lithium-ion high-voltage battery. The V6 unit develops 245 kW (333 hp), has a maximum torque of 480 Nm and achieves a top speed of 245 km/h. Together with the electric motor's 85 kW (116 hp) and 340 Nm of torque, combined fuel consumption is 3.7–3.3 l/100 km. Thanks to Intelligent HYBRID – the exceptionally efficient, anti-

patory operating strategy. Each braking phase provides an energy boost, while the combustion engine is deactivated during overrun phases. Functions such as the four operating modes and the optional radar-based recuperation ensure impressive energy performance. On electric power alone, the vehicle has a range of up to 30 km and a top speed of 130 km/h – with zero local emissions.



Effortless superiority as standard.

Depending on model, up to six **DYNAMIC SELECT** modes can be called up using the Controller on the centre console. “Comfort” mode allows particularly balanced and efficient driving. In conjunction with the AIRMATIC package, “Sport” mode offers a more agile and dynamic configuration of the suspension, which is additionally lowered by 15 mm, sportily taut damper tuning, a more direct steering feel and changed shift points. “Individual” mode allows the driver to vary individual settings to suit their taste.

Traction on any surface – thanks to **4MATIC permanent all-wheel drive** in combination with ABS, ESP® and the 4ETS Electronic Traction System. The wheels with insufficient grip are braked in a targeted manner and the drive torque transferred to the wheels offering sufficient traction is increased.

Agility on a new level – the **9G-TRONIC** automatic transmission is the world’s first nine-speed automatic transmission with hydrodynamic torque converter in the premium segment. The wider ratio range allows a reduction in the engine speed level, while the reduced engine speed jumps between the gears allow faster gear changes and, therefore, even greater agility.

↳ FIND OUT MORE

Please see pages 62/63 for all technical data plus availability details for the **7G-TRONIC PLUS** transmission variant.

Tough terrain. Easy decision.

Away from the road when the going gets tough, the optional **Off-Road Engineering package** – available for the GLE 250 d 4MATIC, GLE 350 d 4MATIC, GLE 400 4MATIC and GLE 500 4MATIC – makes every trip uniquely enjoyable. The DYNAMIC SELECT Controller allows perfect adjustment of the handling characteristics to suit the current terrain. With “Off-road” for sand and light terrain or “Offroad+” for difficult terrain. The characteristics of the ESP®, 4ETS, steering, ground clearance and air suspension, for example, are adjusted automatically, depending on the selected mode. The highlight: the selected transmission mode is displayed in the instrument cluster and in the Media Display in the form of an animation depicting the gradient and incline angle, for example. The Off-Road Engineering package is only available in conjunction with the optional AIRMATIC package.



FURTHER FUNCTIONS

The low-range gearbox aids slow and careful driving in off-road terrain where a high level of tractive power is required, and supports controlled downhill driving, particularly on low-traction surfaces.

The driver can adjust the gear ratio even more precisely to the requirements of driving in extreme off-road terrain by using the automatic transmission's manual mode.

A 100% differential lock on the centre differential further enhances traction in difficult terrain.

An underguard for the engine, together with reinforced underfloor panelling the full length of the vehicle, helps to reduce damage caused by driving over obstacles, for example.

Three additionally selectable off-road ride heights allow the ground clearance to be increased by 30, 60 or 90 mm, corresponding to a maximum fording depth of 600 mm.

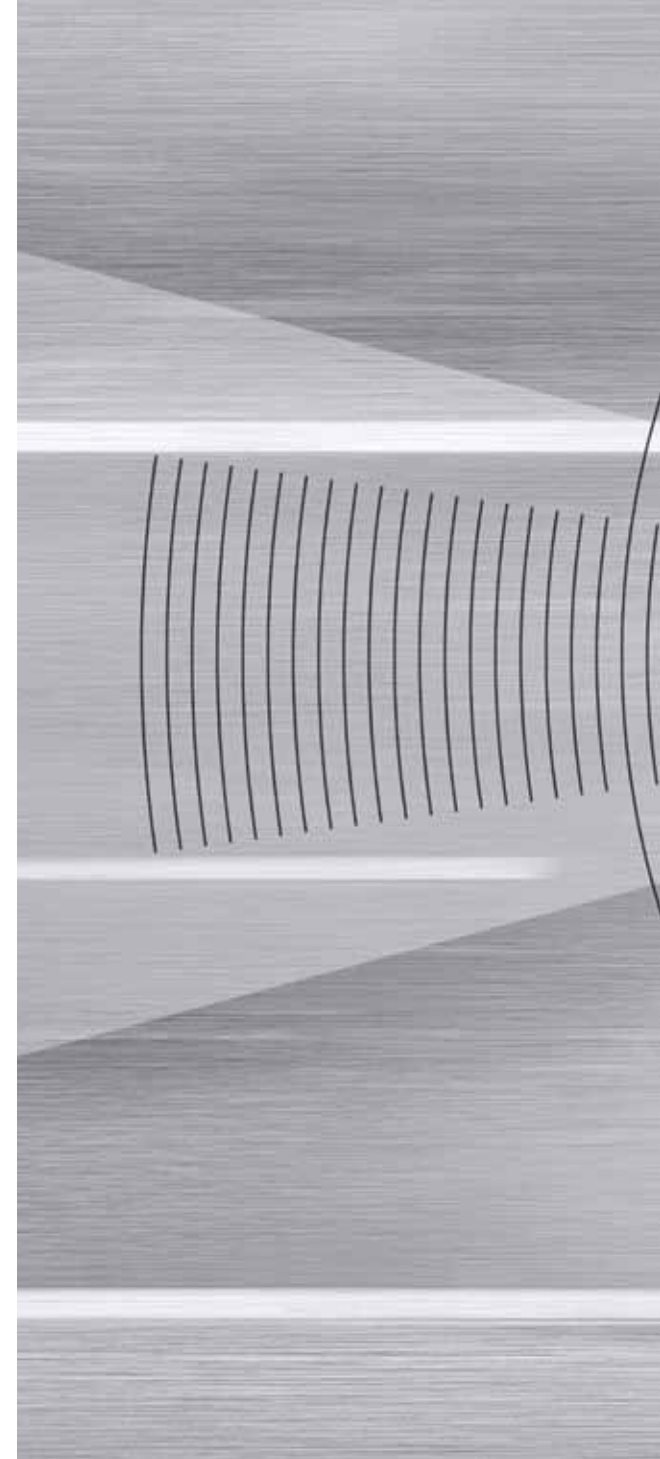


Driving Assistance package Plus. Your personal assistant.

Intervening where necessary. Holding back where possible. This poise and assurance is part of the optional **Driving Assistance package Plus**. It combines safety and assistance systems that take the strain off the driver, reduce accident risks and improve protection of the occupants and other road users. Brake Assist **BAS PLUS** with Cross-Traffic Assist and **PRE-SAFE® Brake** can reduce the risk of accidents at junctions, rear-end collisions and collisions with pedestrians, particularly in urban traffic. **Active Lane Keeping Assist** and **Active Blind Spot Assist** provide support when the vehicle unintentionally leaves its lane or if there is a risk of a collision with other vehicles when changing lanes. By braking the vehicle on one side they can help to steer it back into lane and avoid an accident. **PRE-SAFE® PLUS** extends the functions of the **PRE-SAFE®** anticipatory occupant protection system with measures when a rear-end collision threatens. **DISTRONIC PLUS** with Steering Assist and Stop&Go Pilot helps the driver to maintain a safe distance from the vehicle in front and stay in the centre of the lane.

↳ FIND OUT MORE

Details of Mercedes-Benz Intelligent Drive for PC, tablet or smartphone are available at www.mercedes-benz-intelligent-drive.com





MERCEDES-BENZ INTELLIGENT DRIVE

A stereo camera, short and long-range radars and all-round sensor systems form the basis for numerous safety and assistance systems in the new GLE.

1 | Stereo multi-purpose camera. 2 | Long-range radar with medium-range detection. 3 | Short-range radar. 4 | Ultrasonic sensors. 5 | Multi-mode radar. 6 | 360° camera.

Visionaries never look back. Why would they?

The optionally available **Active Parking Assist with PARKTRONIC** makes it easier to find a parking space and also to enter or leave parking spaces. When activated, it automatically steers the vehicle into parallel and perpendicular parking spaces, relieving the driver of the task of steering and braking. The **360° camera** included in the optional Parking package provides you with a realistic all-round view thanks to the interaction of four cameras. The camera is switched on automatically when reverse gear is selected. Alternatively, it can be activated by the driver whenever required. The vehicle and its immediate surroundings can be shown as a bird's-eye view in the multimedia system display. Even obstacles below the window line are visible to the driver. If the driver does not wish to use Active Parking Assist, the PARKTRONIC electronic parking assistance system monitors the front and rear areas during manoeuvring of the vehicle and warns the driver if a risk of collision is detected.

↘ FIND OUT MORE

Find free parking spaces using the Mercedes-Benz app for Audio 20 CD and the optional COMAND Online system. For details of this and many other apps, visit <http://apps.mercedes-benz.com>



The reassuring feeling of driving a Mercedes-Benz.

We are the first automotive manufacturer worldwide to have developed an **integral safety concept**, aimed at avoiding accidents, ensuring ideal responses to dangers and lessening the consequences of accidents. For the occupants of a Mercedes and for all other road users, too.

SAFE DRIVING

The **drowsiness detection system ATTENTION ASSIST** serves to enhance driving safety, in particular on long trips and during night-time driving. It monitors the driver's steering behaviour to recognise typical signs of drowsiness and severe loss of attention, and gives a visual and audible warning of impending microsleep.

In strong gusts of crosswind **Crosswind Assist** can help the driver to stay on course. Thanks to the specific braking intervention, the vehicle veers off course considerably less.

The enhanced **Traffic Sign Assist** system – part of the optional COMAND Online system – includes a wrong-way warning function. It is able to recognise when speed limits, no-entry signs and no-overtaking signs come into force and when such restrictions are lifted, and display this to the driver. If the vehicle enters a road against the posted allowed direction of travel, a visual and acoustic warning is emitted.

IN THE EVENT OF DANGER

The **PRE-SAFE® anticipatory occupant protection system** is able to identify critical driving situations in advance and to initiate precautionary measures to protect the vehicle's occupants if an accident appears imminent. Such measures include reversible belt tensioning or automatic closing of open side windows, for example.

IN AN ACCIDENT

If a pedestrian or cyclist is involved in a frontal collision with the vehicle, the **active bonnet** (not available for the Mercedes-AMG performance vehicles) can be raised in certain situations. The increased distance from the components inside the engine compartment creates an additional deformation space to absorb the impact sooner and reduce the risk of injury. Numerous **airbags** can protect the occupants in the event of an accident, reducing the risk of serious injury.

AFTER AN ACCIDENT

Every Mercedes-Benz is fully trained in first aid. If the worst comes to the worst, the engine can be stopped automatically and the central locking can be unlocked, plus the hazard warning lights and emergency interior lighting can be activated. Finally the integral **Mercedes-Benz emergency call system**, installed as standard (not in all countries), can send GPS position data and important vehicle information, though it is to be hoped this will never be necessary.

↘ FIND OUT MORE

The **Guidelines for Rescue Services** ensure that rescue services at the scene of the accident always have the latest vehicle data available. Details can be found at www.mercedes-benz.de/rettungslleitfaden



Enjoy the show.

The whole world at your fingertips. The intuitively controlled touchpad with multitouch sensor system connects you to everyone. It recognises simple gestures, your handwriting and even letters and numbers. Ideal for using the **COMAND Online** control and display system to easily control navigation, telephone, audio, video, internet and many other functions while on the move. Information is shown in high-resolution and in colour on the 20.3 cm Media Display. The touchpad is part of the optional COMAND Online system.

MULTIMEDIA AND INFOTAINMENT

Bang & Olufsen BeoSound AMG – transforms the vehicle into a concert hall (optional). The high-end surround sound system includes 14 high-performance loudspeakers plus the ICEpower amplifier with DSP and has a total output of 1200 watts.

User-friendly navigation, precise map data and excellent route guidance – the optional **Garmin® MAP PILOT** brings all the familiar benefits of a Garmin® navigation system to the Audio 20 CD. It is done by simply inserting an SD card with navigation software and map data sets.

The **Audio 20 CD** multimedia system combines entertainment, information and communication. It comes with internet capability, pre-installation for navigation (optional), radio, twin tuner and CD drive, plus it allows connection to mobile devices via Bluetooth®.

Optional: unmistakable sound. The **Harman Kardon® Logic 7® surround sound system** impresses with its unmistakable, authentic surround sound courtesy of fine-tuned technical components and Logic 7® technology. Passengers in all seats enjoy a thrilling 360-degree sound experience with both stereo and 5.1 multi-channel recordings (only in conjunction with COMAND Online).





Leading position.

Thanks to its high sitting position typical of an off-roader, the new GLE offers you the very best in comfort the moment you get in. Plus it comes with electrically adjustable front seats fitted as standard, providing optimum support and excellent comfort on long journeys. A driving feel that you can enjoy on seats upholstered in ARTICO man-made leather/fabric or, optionally, ARTICO man-made leather, leather or nappa leather.



SEATING COMFORT

With its large glass surfaces, the optional **panoramic sliding sunroof** helps create a particularly bright and welcoming ambience in the interior. It consists of a fixed panoramic glass rear section and an electrically operated sliding glass front section for ventilation of the interior as required.

The optional **Memory package** is especially convenient if the vehicle is used by more than one person. Up to three different positions for the electrically adjustable front seats, steering column and exterior mirrors can be stored at the touch of a button and retrieved.

Thanks to their inflatable air chambers, the likewise optionally available **multicontour seats** with massage function ensure the best possible seating comfort. The driver and front passenger can adjust their seats individually to their own particular physique. The seats also include 4-way lumbar support and luxury head restraints.

Thanks to active ventilation, on hot days the surfaces of the optional **climate-controlled seats** are quickly cooled to a pleasant temperature to create a balanced seat climate. In cold weather conditions, the on-demand seat heating provides cosy warmth whenever required.

In a new dimension.

With 2010 litres of stowage space, the new GLE has the largest load compartment in its segment. Plus it boasts the longest load compartment length and best through-loading height at 1833 mm and 839 mm respectively. Not to mention outstanding flexibility. The rear backrests can be folded with a 60 : 40 split, also the cushions can be raised to form a level load compartment floor. And the rear backrest angle can be set in any one of ten positions. Refined: the optional **EASY-PACK load-securing kit** allows variable use of the load compartment, and carried items can be secured firmly to prevent them from sliding.

SPACE MANAGEMENT

The optional **EASY-PACK tailgate** can be opened and closed at the touch of a button for more convenient loading and unloading of the boot. Likewise available as an option: the **boot tub** is made to measure for the load compartment floor and has a slightly raised edge, so protecting the luggage compartment from dirt or spillages. The optionally available **cargo organiser** includes a stowage box that can be subdivided into four sections, with an overall capacity of around 91 litres, making it ideal for stowing shopping bags.

Another optional extra is the **EASY-PACK load compartment cover**, which protects luggage from the sun and from prying eyes. It consists of a retractable cover, which is mounted behind the rear seats, and can be removed at any time. The **EASY-PACK safety net** protects vehicle occupants from unsecured items in the load compartment.

Valuables can be securely stowed in a compartment underneath the **lockable load compartment floor**. This equipment is likewise available as an option.

The optional **through-loading feature** above the rear armrest is a practical feature that allows the transport of long objects. A flap is opened from within the luggage compartment to enable loading. The two outer rear seats can continue being used.





Mercedes-AMG GLE 63 4MATIC exterior.

A passion for performance. The new Mercedes-AMG GLE 63 4MATIC embodies the AMG philosophy impressively throughout. Beneath the bonnet is the AMG 5.5-litre twin-turbo V8 engine. And the AMG sports suspension with AIRMATIC and ACTIVE CURVE SYSTEM makes for an assured road stance.

Sporty and dynamic design, polished aerodynamics – every detail is designed for an exceptional driving experience: AMG front apron, AMG rear apron and AMG sports exhaust system. AMG Driving Performance in its purest form.

EXTERIOR HIGHLIGHTS

AMG-specific front apron (A-wing painted in body colour)

AMG radiator grille with twin louvre in matt silver chrome and “AMG” lettering

AMG rear apron with black trim strip

AMG multi-spoke light-alloy wheels, painted titanium grey with a high-shine finish

AMG high-performance braking system, with brake callipers painted in silver colour





Mercedes-AMG GLE 63 4MATIC interior.

A cockpit with a racing-car feel. In the interior, too, every form, every element and every material used is there to systematically enhance the performance of the new Mercedes-AMG GLE 63 4MATIC. There's no room for excess baggage when driving at the limit.

INTERIOR HIGHLIGHTS

AMG sports seats with optimised lateral support, AMG-specific seat upholstery layout and "AMG" badge in the backrests

AMG nappa leather upholstery in the appointments colours black, porcelain/black and espresso brown/black

AMG performance steering wheel in black nappa leather, with flattened lower section and silver-coloured aluminium shift paddles

AMG instrument cluster with AMG main menu including RACETIMER and AMG start-up display

AMG door sill panels in brushed stainless steel with "AMG" lettering

Dashboard (top and bottom) and beltlines trimmed in ARTICO man-made leather with topstitching

Brushed stainless-steel sports pedals with rubber studs

AMG floor mats with embroidered "AMG" lettering

Black fabric roof liner



Mercedes-AMG GLE 63 S 4MATIC.

The essence. The new Mercedes-AMG GLE 63 4MATIC S-Model challenges the status quo and fulfils a desire for what was previously unachievable: sportiness, aesthetics and luxury at the highest level.

EXTERIOR HIGHLIGHTS

S-Model-specific AMG front apron with front splitter in silver chrome

A-wing in high-gloss black, A-wing trim strip in silver chrome

AMG cross-spoke light-alloy wheels, painted titanium grey with a high-sheen finish, optionally painted matt black featuring rim flange with a high-sheen finish

AMG high-performance braking system, brake callipers painted red with "AMG" lettering

S-Model-specific AMG rear apron with trim strip in silver chrome

AMG sports exhaust system with two sets of twin chrome tailpipes

INTERIOR HIGHLIGHTS

AMG performance steering wheel in black nappa leather/DINAMICA microfibre

"AMG" crest on the head restraints of the front seats (embossed)

Seat belts in alpaca grey (in conjunction with black interior appointments)

AMG instrument cluster with 11.4 cm multifunction display and AMG main menu with red highlights

Dashboard upper and lower sections in nappa leather

AMG sports seats with AMG-specific seat upholstery layout in AMG nappa leather, optimised lateral support and "AMG" badge in the backrests

AMG door sill panels in brushed stainless steel with "AMG" lettering





Mercedes-AMG technology.

You expect maximum performance all the way – and the **AMG 5.5-litre V8 biturbo engine** doesn't disappoint. With an output of 410 kW (557 hp) and 700 Nm of torque. It delivers its impressive pulling power even at low revs. The S-Model takes it to the extreme with an output of 430 kW (585 hp) and 760 Nm of torque. To keep performing at this level, the power has to be translated into forward drive at lightning speed. The **AMG SPEEDSHIFT PLUS 7G-TRONIC** 7-speed automatic transmission enables an extremely sporty driving style with extremely short shift times – depending on the selected AMG DYNAMIC SELECT mode – while the AMG sports suspension with **ACTIVE CURVE SYSTEM** does a perfect job of keeping the outstanding driving dynamics right on course. Its active suspension stabilisers reduce the car's rolling motion.

HIGHLIGHTS AT A GLANCE

The **AMG Performance 4MATIC** all-wheel drive with AMG-specific rear-biased 40:60 power distribution.

The **AMG speed-sensitive sports steering** supports a sporty driving style with a variable steering ratio and direct cornering properties. Depending on the selected suspension set-up, the steering characteristics are adapted for sporty or comfortable steering feedback.

The **AMG high-performance braking system** delivers excellent stopping power plus precision brake control with its internally ventilated and perforated brake discs all round.



AMG Performance Studio.

True to its name: the AMG Performance Studio further enhances exclusivity, appeal and performance. In short, it adds even more power. By way of example, the **AMG Driver's package** increases the top speed to 280 km/h. You can also opt to attend driver training at the **AMG Driving Academy** – and learn how to perfectly handle this power delivery.

HIGH PERFORMANCE IN DETAIL

AMG cross-spoke light-alloy wheels, painted titanium grey with a high-sheen finish.

AMG cross-spoke light-alloy wheels, painted matt black featuring rim flange with a high-sheen finish.

AMG carbon-fibre engine cover with high-quality, genuine carbon fibre to visually emphasise the engine's performance and exclusivity.

AMG performance exhaust system changes the sound depending on engine speed – emotionally sporty or understated.

AMG performance steering wheel in black nappa leather/DINAMICA microfibre, grip area in DINAMICA microfibre, flattened bottom section, grey 12-o'clock marking and aluminium shift paddles.

Vehicle pick-up from the AMG Customer Centre in Affalterbach including personal tour, hospitality in the AMG Private Lounge, in-depth familiarisation with vehicle and full fuel tank (only applies in Germany).





The standard equipment.

The best as standard. The new GLE impresses from every angle and comes with a wealth of equipment and appointments options. One look at the list of standard features makes this clear. We have listed just a few of them here. You can configure your very own new GLE at www.mercedes-benz.com

Illustration shows optional 5-twin-spoke light-alloy wheels, Code 65R.

EXTERIOR HIGHLIGHTS

Halogen headlamps including integral LED daytime running lamps

LED tail lights

Aluminium roof rails

Beltline trim strip and trim strip on side skirt in chrome look

Chrome-look underide guard at front and rear

2-pipe exhaust system with two integrated chromed tailpipe trim elements (non-functioning in the case of diesel engines)

INTERIOR HIGHLIGHTS

Comfort front seats upholstered in ARTICO man-made leather/fabric

Roof liner in crystal grey fabric

3-spoke multifunction steering wheel in nappa leather with steering wheel gearshift paddles and twelve function buttons

THERMATIC automatic climate control

Light longitudinal-grain aluminium trim

Audio 20 CD radio with Media Display, USB interface in the centre armrest and Bluetooth®



EXCLUSIVE interior. Style-shaping.

Design an interior that delivers an exciting and modern take on luxury. With exclusive seat upholstery layouts, tasteful colour combinations and large expanses of wood trim. Hand-built character bathed in an exceptionally attractive glow thanks to the ambient lighting.

COMPONENTS AT A GLANCE

Comfort seats in leather with exclusive seat upholstery layout and attractive colour concepts – single-tone or two-tone: black with roof liner in crystal grey, ginger beige/espresso brown with roof liner in porcelain, saddle brown/black with roof liner in black, crystal grey/black with roof liner in crystal grey, ginger beige/black with roof liner in porcelain

Dashboard and beltline in ARTICO man-made leather

Trim elements, each including retractable cup holder cover, in high-gloss black poplar wood, high-gloss brown burr walnut wood, brown open-pore ash wood or black piano lacquer

Ambient lighting with multi-coloured fibre-optic cables

Interior Light package

Velour floor mats

designo Exclusive Interior package.

When individuality meets exclusivity, you know you're driving a Mercedes with designo appointments. Enjoy the ultimate in refinement on seats upholstered in the finest designo nappa leather in porcelain/black or espresso brown. With exclusive designo topstitching in a diamond-shaped pattern extending to the door centre panels. A sign of the finest craftsmanship and material quality: the "designo" badge in the front and rear seat backrests. The interior is rounded off perfectly by the roof liner in black or porcelain DINAMICA microfibre, depending on the seat upholstery colour. The optional designo wood/leather steering wheel combines high-grade leather in the grip area with fine wood inserts in black piano lacquer.



↳ DESIGNO IN ALL ITS GLORY

To discover further designo paint finishes such as designo diamond white bright and designo hyacinth red metallic, please turn to page 67. Configure your very own appointments by visiting www.mercedes-benz.com or your local authorised Mercedes-Benz dealer.





AMG Line exterior and interior. Dynamising.

The AMG Line design and equipment line lends the new GLE tangibly enhanced exclusivity and driving dynamics. Visually with extensive AMG bodystyling, performance-wise with hallmark AMG technology.

AMG LINE EXTERIOR

AMG bodystyling, comprising AMG-specific front and rear apron and also side sill panels painted in the vehicle colour

Front splitter in high-gloss chrome (painted black if Night package is specified)

AMG 5-spoke light-alloy wheels, painted titanium grey with a high-sheen finish

Sports brakes with perforated front brake discs and brake calliper trim with "Mercedes-Benz" lettering

AMG LINE INTERIOR

Sports seats in ARTICO man-made leather, optionally upholstered in nappa leather

3-spoke multifunction sports steering wheel finished in black nappa leather with a flattened bottom section

Instrument cluster with distinctive dials in chequered flag look

Brushed stainless-steel sports pedals with rubber studs

AMG floor mats with "AMG" lettering



Expressively black. The Night package.

Sporty and expressive. Based on the AMG Line exterior, the optional Night package adds distinctive highlights with elements in high-gloss black – from the louvre in the radiator grille and the exterior mirrors to the AMG light-alloy wheels.

OVERVIEW OF FEATURES

Louvre in the radiator grille in high-gloss black

AMG 5-spoke light-alloy wheels, painted high-gloss black with a high-shine finish

Simulated underguard at the front and rear in high-gloss black

Exterior mirrors in high-gloss black

Roof rails, beltline trim strip and window weatherstrip in black

Heat-insulating dark-tinted glass starting from the B-pillar

Tailpipe trim elements in chrome





Status: special. The optional extras.

Be it fine details, a unique atmosphere or refined technical solutions, the possibilities are almost endless. Take a look around, here in the brochure, on the price list or at www.mercedes-benz.com – and design the new GLE just the way you want it.



SELECTED JUST FOR YOU: THE EXTRAORDINARY

- 1 Come inside and feel at home – with its pleasant, indirect light, the **ambient lighting** (standard in conjunction with EXCLUSIVE interior) creates a unique atmosphere of well-being throughout the entire interior. Three different colours are available to create the desired lighting mood. The brightness can be dimmed in five stages.
- 2 The **aluminium-look running boards** are a real eye-catcher. They are mounted at the height of the side sill panels and make it easier to get into the vehicle at the front and rear. Slip-resistant rubber studs ensure a firm foothold.
- 3 For better visibility on country roads and motorways, when turning or cornering, the **LED Intelligent Light System** adapts to the current light and driving conditions automatically. All headlamp functions feature LEDs for low energy consumption.
- 4 The **MAGIC VISION CONTROL** adaptive windscreen wiper system provides the driver with an optimum view even during wiping. The washer fluid is sprayed directly in front of the wiper blades and wiped away without delay. The heating system effectively lowers the risk of icing-up.



Genuine accessories.

The range of genuine accessories is as varied as the routes you will be taking. Each accessory has been specifically developed for the GLE in accordance with Mercedes-Benz's high quality standards.

THE BEST FOR THE NEW GLE

- 1 The convenient, lockable **rear-mounted bicycle rack** is suitable for the safe transport of two or three bikes. It's very simple to fit the rack on the trailer coupling and just as easy to secure your bikes in place. Thanks to an ingenious roller mechanism the tailgate can still be opened. For storage, the rack comes with a transport bag made of robust nylon fabric, where it remains extremely well protected.
- 2 Top boxes, bicycle racks or ski and snowboard racks – the **Alustyle Easy-Fix II** carrier bars can be combined with a variety of different roof attachments. They are precisely matched to the body of the vehicle, can be fitted without tools and provide optimum safety and aerodynamics.
- 3 Make the **illuminated Mercedes star** shine brightly. The star centred in the radiator grille of your Mercedes will light up courtesy of fibre optic and LED technology when the vehicle is locked and unlocked by remote control, and when a door or the tailgate is opened (only operates if engine is switched off, not in conjunction with DISTRONIC).
- 4 The elegantly exclusive appearance is underscored by the **5-twin-spoke light-alloy wheels**, painted in himalayas grey with a high-sheen finish, with 265/40 R 21 tyres (in conjunction with AIRMATIC package, not in conjunction with AMG Line exterior).

DISCOVER THE ENTIRE RANGE
Now online at www.mercedes-benz-accessories.com





R25R



R41



R55



R39



R24



O3R



65R



O6R

Wheels.

At home in every terrain. For a Mercedes-Benz, that also means performing with style. The wheels for the new GLE: unimpressed by the ground below, impressive from every perspective.

STANDARD EQUIPMENT AND OPTIONAL EXTRAS

R25R 10-spoke light-alloy wheels with 235/65 R 17 tyres (standard for GLE 250 d, GLE 250 d 4MATIC and GLE 350 d 4MATIC)

R24 7-twin-spoke light-alloy wheels with 235/65 R 17 tyres (option for GLE 250 d, GLE 250 d 4MATIC and GLE 350 d 4MATIC)

R41 10-spoke light-alloy wheels with 255/55 R 18 tyres (standard for GLE 400 4MATIC; option for GLE 250 d, GLE 250 d 4MATIC and GLE 350 d 4MATIC)

O3R 7-spoke light-alloy wheels with 255/55 R 18 tyres (option for GLE 250 d, GLE 250 d 4MATIC, GLE 350 d 4MATIC and GLE 400 4MATIC)

R55 5-twin-spoke light-alloy wheels, painted titanium silver, with 255/50 R 19 tyres (option; not for Mercedes-AMG models)

65R 5-twin-spoke light-alloy wheels, painted himalayas grey, with 255/50 R 19 tyres (standard for GLE 500 e 4MATIC and GLE 500 4MATIC; option for GLE 250 d, GLE 250 d 4MATIC, GLE 350 d 4MATIC and GLE 400 4MATIC)

R39 5-spoke light-alloy wheels, painted titanium silver, with 255/50 R 19 tyres (option; not for Mercedes-AMG models)

O6R 7-spoke light-alloy wheels, painted himalayas grey with a high-shine finish, with 255/50 R 19 tyres (option; not for Mercedes-AMG models)

R33 5-twin-spoke light-alloy wheels, painted titanium silver, with 265/45 R 20 tyres (option; not for Mercedes-AMG models)



R33



688



683



61

692



775



755



689



29R

775 AMG 5-spoke light-alloy wheels, painted high-gloss black with a high-sheen finish, with 265/45 R 20 tyres (part of the Night package; not for Mercedes-AMG models)

688 AMG multi-spoke light-alloy wheels, painted titanium grey with a high-sheen finish, with 265/45 R 20 tyres (standard for Mercedes-AMG GLE 63 4MATIC; no-cost option for Mercedes-AMG GLE 63 S 4MATIC)

755 AMG 5-twin-spoke light-alloy wheels, painted titanium grey with a high-sheen finish, with 265/40 R 21 tyres (option in conjunction with AIRMATIC package; not for Mercedes-AMG models)

683 AMG 5-twin-spoke light-alloy wheels, painted high-gloss black with a high-sheen finish, with 265/40 R 21 tyres (option in conjunction with AIRMATIC package; not for Mercedes-AMG models)

689 AMG cross-spoke light-alloy wheels, painted titanium grey with a high-sheen finish, with 295/35 R 21 tyres (standard for Mercedes-AMG GLE 63 S 4MATIC; option for Mercedes-AMG GLE 63 4MATIC)

692 AMG cross-spoke light-alloy wheels, painted black featuring rim flange with a high-sheen finish, with 295/35 R 21 tyres (option for Mercedes-AMG models)

29R 5-spoke light-alloy wheels, painted himalayas grey with a high-sheen finish, with 265/45 R 20 tyres (accessory wheel ex factory, not for Mercedes-AMG models)

FURTHER WHEELS

can be found in our accessories range at www.mercedes-benz-accessories.com or obtained directly from your authorised Mercedes-Benz dealer.

Technical data.

	DIESEL ENGINES		
	GLE 250 d	GLE 250 d 4MATIC	GLE 350 d 4MATIC
No. of cylinders/arrangement	4/in-line	4/in-line	6/V
Total displacement in cc	2143	2143	2987
Rated output ¹ in kW (hp) at rpm	150 (204)/3800	150 (204)/3800	190 (258)/3400
Rated torque ¹ in Nm at rpm	480/1600-1800	500/1600-1800	620/1600
Transmission	9G-TRONIC	9G-TRONIC	9G-TRONIC
Acceleration from 0 to 100 km/h in s	8.6	8.6	7.1
Top speed, approx. in km/h	210	212	225
Tyre size – front axle, rear axle	235/65 R 17	235/65 R 17	235/65 R 17
Fuel	Diesel	Diesel	Diesel
Fuel consumption ³ in l/100 km			
Urban	6.1-5.9	6.6-6.3	7.3-7.2
Extra-urban	5.3-5.0	5.5-5.3	6.2-5.9
Combined	5.6-5.4	5.9-5.7	6.6-6.4
CO ₂ emissions ³ in g/km combined	146-140	156-149	179-169
Emission class ⁴ /Efficiency class ⁵	Euro 6/A+	Euro 6/A	Euro 6/B
Tank capacity, of which reserve, approx. in l	70/11.0	93/12.0	93/12.0
Boot capacity ⁶ in l	690-2010	690-2010	690-2010
Turning circle diameter in m	11.80	11.80	11.80
Kerb weight ⁷ in kg	2075	2150	2175
Perm. GVW in kg	2850	2950	2950

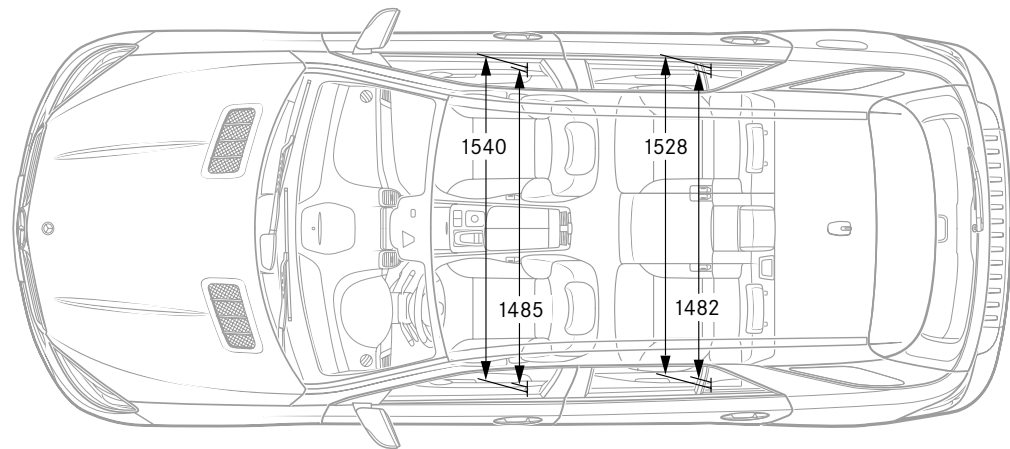
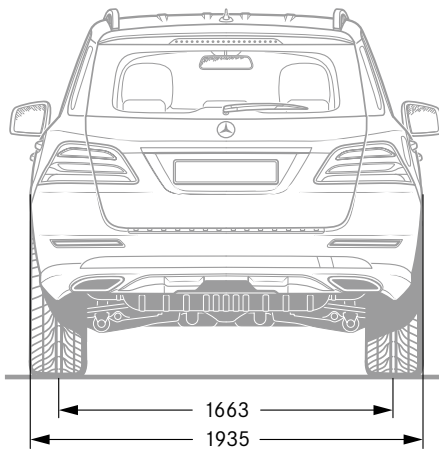
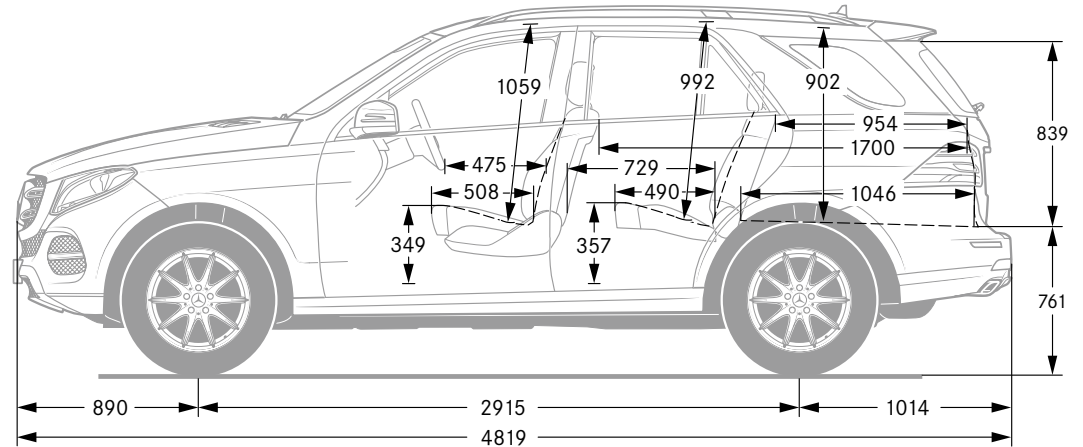
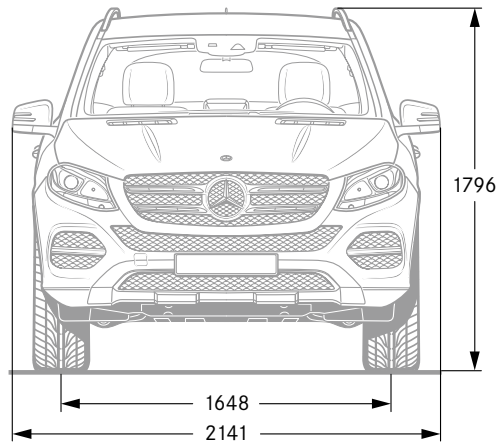
The best for your engine:
Genuine Mercedes-Benz engine oils.

¹ Figures for rated output and rated torque in accordance with Directive 80/1269/EEC in the currently applicable version. ² Electronically governed. ³ The indicated figures for fuel consumption and CO₂ emissions were obtained in accordance with the prescribed measuring process (§2 nos. 5, 6, 6a of currently applicable version of German Passenger Car Energy Consumption Labelling Regulations). Note according to Directive 1999/94/EC in the currently applicable version: The figures are not based on an individual model and do not constitute part of the product offer; they are provided solely for purposes of comparison between different vehicle models.

	PETROL ENGINES				
	GLE 400 4MATIC	GLE 500 4MATIC	GLE 500 e 4MATIC	Mercedes-AMG GLE 63 4MATIC	Mercedes-AMG GLE 63 S 4MATIC
No. of cylinders/arrangement	6/V	8/V	6/V	8/V	8/V
Total displacement in cc	2996	4663	2996	5461	5461
Rated output ¹ in kW (hp) at rpm	245 (333)/5250-6000	320 (435)/5250	245 (333)/5250-6000 85 (116)/3500 ⁸	410 (557)/5750	430 (585)/5500
Rated torque ¹ in Nm at rpm	480/1600-4000	700/1800-4000	480/1600-4000	700/1750-5500	760/1750-5250
Transmission	7G-TRONIC PLUS	7G-TRONIC PLUS	7G-TRONIC PLUS	AMG SPEEDSHIFT PLUS 7G-TRONIC	AMG SPEEDSHIFT PLUS 7G-TRONIC
Acceleration from 0 to 100 km/h in s	6.1	5.3	5.3	4.3	4.2
Top speed, approx. in km/h	247	250 ²	245	250 ²	250 ²
Tyre size – front axle, rear axle	255/55 R 18	255/50 R 19	255/50 R 19	265/45 R 20	295/35 ZR 21
Fuel	Premium petrol	Premium petrol	Premium petrol	Super Plus petrol	Super Plus petrol
Fuel consumption ³ in l/100 km					
Urban	11.5-11.2	15.2-14.7	-	15.7	15.7
Extra-urban	7.8-7.6	9.5-8.9	-	9.6	9.6
Combined	9.2-8.8	11.5-11.0	3.7-3.3	11.8	11.8
CO ₂ emissions ³ in g/km combined	215-209	269-258	84-78	276	276
Emission class ⁴ /Efficiency class ⁵	Euro 6/D	Euro 6/F	Euro 6/A+	Euro 6/F	Euro 6/F
Tank capacity, of which reserve, approx. in l	93/12.0	93/12.0	80/10.0	93/14.0	93/14.0
Boot capacity ⁶ in l	690-2010	690-2010	480-1800	690-2010	690-2010
Turning circle diameter in m	11.80	11.80	11.80	11.80	11.80
Kerb weight ⁷ in kg	2130	2235	2465	2345	2345
Perm. GVW in kg	2900	2950	3050	3050	3050

⁴ Valid only within the European Union. May vary from country to country. ⁵ Determined based on the measured CO₂ emissions taking account of the vehicle mass. ⁶ Figures according to currently applicable version of Directive 2007/46/EC. ⁷ Figures according to currently applicable version of Directive 92/21/EC (kerb weight, fuel tank 90% full, with driver, 68 kg, and luggage, 7 kg) for standard-specification vehicles. Optional extras and accessories generally increase this figure, reducing the payload accordingly. ⁸ Figures refer to the electric motor. Further technical data can be found at www.mercedes-benz.com

Dimensions.



All dimensions in millimetres. The dimensions shown are mean values and apply to standard-specification, unladen vehicles.

Upholstery and trim.

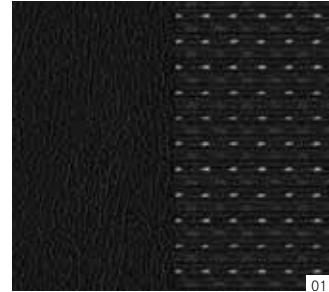
Upholstery

- 011 black
- 111 black^{1, 2}
- 114 espresso brown^{1, 2}
- 115 ginger beige/espresso brown^{1, 2}
- 121 black^{1, 3}
- 211 black¹
- 215 ginger beige/espresso brown¹
- 224 saddle brown/black¹
- 228 crystal grey/black¹
- 245 ginger beige/black¹
- 531 black⁴
- 534 espresso brown/black^{4, 5}
- 535 porcelain/black^{4, 5}
- 541 black with grey contrasting topstitching⁵
- 811 black pearl/black^{1, 3}
- 831 black⁶
- 834 espresso brown/black⁶
- 835 porcelain/black⁶
- 855 porcelain/black^{1, 3}
- 954 espresso brown¹
- 955 porcelain/black¹

Trim

- 739 light longitudinal-grain aluminium
- 734 high-gloss brown eucalyptus wood¹
- 731 high-gloss brown burr walnut wood¹
- H09 brown open-pore ash wood¹
- 729 high-gloss black poplar wood¹
- H21 black piano lacquer¹
- H10 AMG carbon fibre/black piano lacquer¹

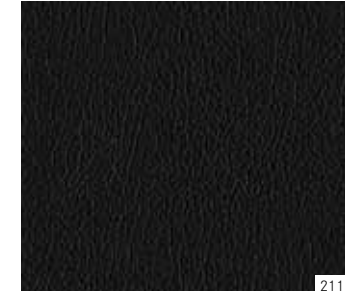
ARTICO man-made leather/fabric



ARTICO man-made leather



Leather



¹ Optional extra. ² Standard for GLE 500 4MATIC. ³ Only in conjunction with AMG Line interior.

⁴ Optional for Mercedes-AMG GLE 63 4MATIC. ⁵ Standard for Mercedes-AMG GLE 63 S 4MATIC.

⁶ Standard for Mercedes-AMG GLE 63 4MATIC.

Nappa leather/leather

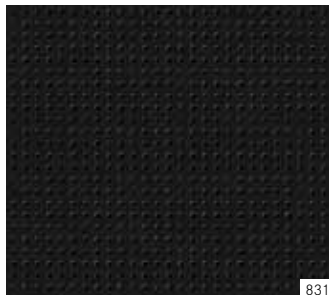


811



855

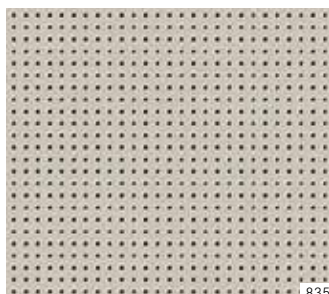
AMG nappa leather



831

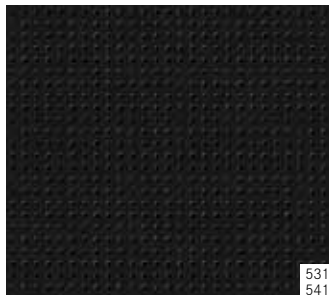


834



835

AMG Exclusive nappa leather

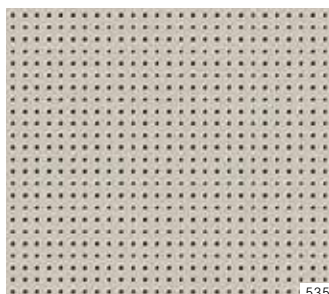


531

541



534

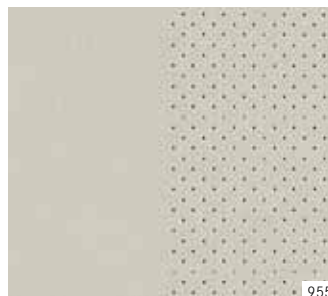


535

designo Exclusive nappa leather



954



955

Trim



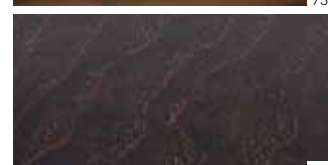
739



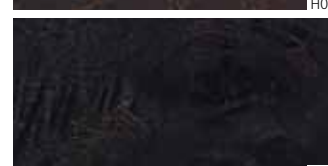
734



731



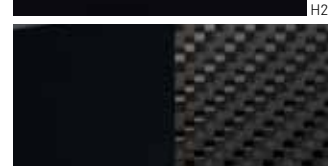
H09



729



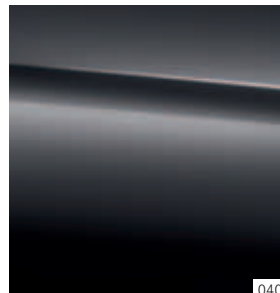
H21



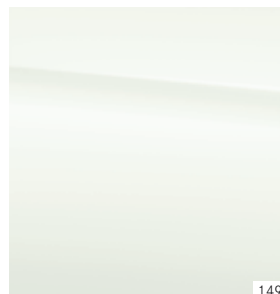
H10

Paintwork.

Non-metallic paints

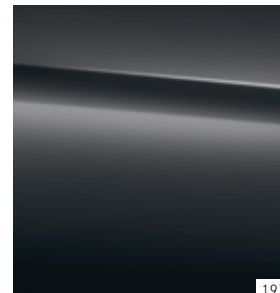


040

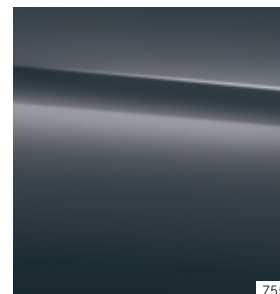


149

Metallic paints¹



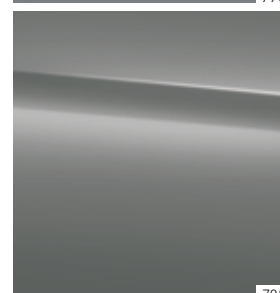
197



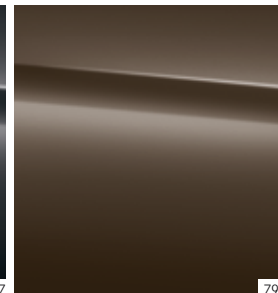
755



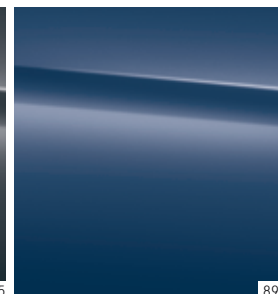
775



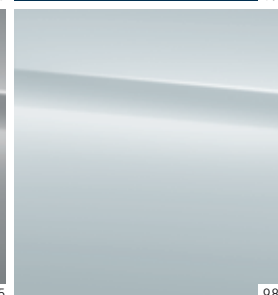
792



796



890



988

designo paints¹



799



996

Non-metallic paints

- 040 black
149 polar white

Metallic paints¹

- 197 obsidian black
755 tenorite grey
775 iridium silver
792 palladium silver
796 citrine brown
890 cavansite blue
988 diamond silver

designo paints¹

- 799 designo diamond white bright
996 designo hyacinth red metallic

¹ Optional extra.



Mercedes-Benz is one of the founding partners of the “Laureus Sport for Good Foundation”.

Since the foundation was established in 2000, Mercedes-Benz has been supporting and promoting the aims and values of this worldwide non-profit-making programme: to improve the lives of children and young people who are disadvantaged or suffering from illnesses through social sports projects. Laureus has become a fundamental element of Mercedes-Benz’s social responsibility. Every new Mercedes is an ambassador embodying these values. In buying a Mercedes you are supporting the “Laureus Sport for Good Foundation”.

Please note: changes may have been made to the product since going to print (06.05.2015). The manufacturer reserves the right during the delivery period to make changes to the design, form, colour or specification, provided these changes, while taking into account the interests of the vendor, can be deemed reasonable with respect to the purchaser. Where the vendor or the manufacturer uses symbols or numbers to describe an order or the subject of an order, no rights may be derived solely from these. The illustrations may include accessories and optional extras which do not form part of the standard specification. Actual colours may differ slightly from those shown owing to the limitations of the printing process. This brochure is distributed internationally. Information given regarding statutory regulations, legal requirements and taxation and the consequences thereof applies to the Federal Republic of Germany only and is correct at the time of going to print. For current and more specific information in relation to the range of models, features, optional extras, colours and/or services available in your country, and their pricing, you should contact your nearest authorised Mercedes-Benz Passenger Car Dealer.

www.mercedes-benz.com

Daimler AG, Mercedesstr. 137, 70327 Stuttgart MS/MAC 6701 · 1212 · 02-00/0915

Take-back of end-of-life vehicles. At the end of its long life, you can return your GLE to us for environment-friendly disposal in accordance with the European Union (EU) End-Of-Life Vehicle Directive. But that day lies a long way off.

A network of vehicle take-back depots and dismantlers is available to make returning your vehicle as easy as possible for you. You are welcome to return your vehicle to one of these establishments free of charge. In so doing, you will be making a valuable contribution towards closing the recycling cycle and preserving resources.

For further information about the recycling and disposal of end-of-life vehicles and take-back conditions, please visit your national Mercedes-Benz website.