

Responsible. Reliable. Ready to join the family.

At Subaru, we're committed to building a lasting, rewarding relationship with you and the world we share. We start by building our vehicles to last—it's why 95% of all the vehicles we've sold in the last 10 years are still on the road today.¹ We also share your desire for a cleaner, greener world. Every 2015 Impreza model achieves Partial Zero Emission Vehicle—PZEV²—status because of their exceptionally low emissions. What's more, in 2004, Subaru of Indiana Automotive, Inc. (SIA) became the first manufacturing facility in the U.S. to reach zero-landfill status—nothing from its manufacturing efforts ever goes into a landfill. Subaru is also headquartered in a zero-landfill office in Cherry Hill, NJ.

Impreza

2015

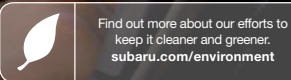
¹ Based on IHS Automotive: Polk U.S. Total Registrations MY2004–2013.

² 2015 Subaru Impreza 2.0i models achieving a Partial Zero Emission Vehicle (PZEV) rating by the California Air Resources Board are available in all 50 states. Only those registered in California, Connecticut, Maine, Maryland, Massachusetts, New Jersey, New York, Rhode Island and Vermont will be eligible for the 15 years/150,000 mile emission warranty. Delaware, Oregon, Pennsylvania and Washington vehicles are not covered under PZEV emissions control warranty. See your warranty maintenance booklet for additional information.

These brochures were printed with vegetable-based inks and produced using a "Green Printing Process." The Forest Stewardship Council® (FSC®) is an international organization that brings people together to find solutions which promote responsible stewardship of the world's forests and environments.

By producing these brochures in a green way rather than by traditional methods, we saved 43 trees preserved for the future; 20,446 gallons of wastewater flow saved; 1,368 lbs solid waste not generated; 3,769 lbs net greenhouse gases prevented; 19,000,000 BTUs energy not consumed. Calculations provided by Environmental Paper Network. FSC® is not responsible for any calculations on saving resources by choosing this paper.

This brochure is printed in the U.S.A. on 100% recycled paper. ©2014 Subaru of America, Inc. 15IMP.SRB.525 (S-15237, 100K, 10/14, CG)



Love. It's what makes a Subaru, a Subaru.



Impreza. It's not just a car. It's a Subaru.





A thrill that makes perfect sense.

You'll be hooked from the start in the redesigned 2015 Impreza. Clearly the smart choice, it now achieves an impressive 37 highway MPG¹. It also offers exceptional reliability, considering that 95% of all Subaru vehicles sold in the last 10 years are still on the road today². Plus its lively handling and road-gripping Subaru Symmetrical All-Wheel Drive make it especially fun to drive, and it's loaded with new entertainment perks like the standard SUBARU STARLINK™ in-vehicle technology featuring Pandora®, iHeartRadio® and Aha.™³ Impreza. It's not just a car. It's a Subaru.

¹ EPA estimated fuel economy for 2015 Impreza 2.0i non-Sport models with CVT at 37 highway MPG. Actual mileage may vary.

² Based on IHS Automotive: Polk U.S. Total Registrations MY2004-2013.

³ Compatible smartphone and applications required. For applications to operate, latest version of each application is required. Data provided by smartphone is displayed on the audio system screen. Some state laws prohibit the operation of handheld electronic devices while operating a vehicle. Smartphone apps should only be launched when vehicle is safely parked. Your wireless carrier's rates may apply.

Impreza 2.0i Limited 4-door and 5-door in Ice Silver Metallic and Crystal Black Silica with optional equipment.



© 2015 Impreza

 **Efficient**


At 37 highway mpg¹ with standard Subaru Symmetrical All-Wheel Drive, the redesigned Impreza is a rare combination of great fuel economy and outstanding all-weather capability. Plus its efficient Lineartronic[®] Continuously Variable Transmission (CVT) helps ensure you'll get optimal MPG out of its SUBARU BOXER[®] engine.

 **Fun**

Enticing new technology like the standard SUBARU STARLINK[™] in-vehicle technology offers nearly unlimited entertainment and information choices.² It can even display incoming texts onscreen, so you can stay in touch without having to pick up your phone.³ Plus new touchscreen audio systems on every Impreza keep your tunes at the ready, while you keep your focus on the road.

 **Safe**

The now available EyeSight[®] Driver Assist Technology⁴ warns you of trouble and can intervene to help you avoid it. You'll also enjoy added peace of mind with the now standard Rear-Vision Camera and seven airbags⁵ to help keep you safe.

 **Engaging**

There's a lot of fun to be had behind the wheel in the redesigned Impreza. Its double wishbone rear suspension keeps it agile in the corners, while standard Subaru Symmetrical All-Wheel Drive supplies the control and confidence you need to let loose and really enjoy the ride.

1 EPA estimated fuel economy for 2015 Impreza 2.0i non-Sport models with CVT at 37 highway MPG. Actual mileage may vary. 2 Compatible smartphone and applications required. For applications to operate, latest version of each application is required. Data provided by smartphone is displayed on the audio system screen. Some state laws prohibit the operation of handheld electronic devices while operating a vehicle. Smartphone apps should only be launched when vehicle is safely parked. Your wireless carrier's rates may apply. 3 STARLINK can read incoming texts out loud when the vehicle is traveling at speeds over 5 miles per hour, and can display incoming texts on screen when the vehicle is traveling at speeds lower than 5 miles per hour. 7" system required. 4 EyeSight is a driver assist technology which may not operate optimally under all driving conditions. The driver is always responsible for safe and attentive driving. System effectiveness depends on many factors such as vehicle maintenance, weather and road conditions. See Owner's Manual for complete details on system operation and limitations. Please remember to turn off EyeSight when going through a carwash. 5 Always wear seatbelts. Children should be properly restrained in the rear seat.

Impreza 2.0i Limited in Venetian Red Pearl with optional equipment.



New upgrades with plenty of ways to play.

Impreza 2.0i Limited with Ivory Leather and optional equipment.



Interior Features

Slip inside the redesigned Impreza and get ready to play. The standard new SUBARU STARLINK™ in-vehicle technology makes sure every Impreza has lots of entertainment potential. SUBARU STARLINK™ provides safe access to Pandora®, iHeartRadio® and Aha™, and connects via Bluetooth® or a USB port to both Android™ and Apple® smartphones¹. It'll read or display incoming texts² so you can stay connected without taking your focus from the road, and you can control it easily with voice commands, steering-wheel-mounted controls or the high-definition touchscreen. These new audio systems also offer full, rich audio quality for your favorite tunes and the available touchscreen navigation system features the same comfortable pinch and rotate functionality you enjoy on your smartphone and tablet.

¹ Compatible smartphone and applications required. For applications to operate, latest version of each application is required. Data provided by smartphone is displayed on the audio system screen. Some state laws prohibit the operation of handheld electronic devices while operating a vehicle. Smartphone apps should only be launched when vehicle is safely parked. Your wireless carrier's rates may apply.
² STARLINK can read incoming texts out loud when the vehicle is traveling at speeds over 5 miles per hour, and can display incoming texts on screen when the vehicle is traveling at speeds lower than 5 miles per hour. * system required.



Lots of room. Lots of potential.

There are very few limitations in the roomy Impreza. Enjoy up to 96.9 cubic feet of passenger space with the 4-door and up to 97.5 cubic feet in the 5-door. Plus you can adjust the 60/40 split-folding rear seatbacks in an instant to accommodate longer items and a rear passenger on the same trip. There's also the available leather-trimmed steering wheel, shift knob and seats to help make the cabin even more comfortable.

Impreza 2.0i Limited with Ivory Leather and optional equipment.



An extra set of eyes
every time you drive.

“More 2014 IIHS Top Safety Picks than any other brand.”²

– Insurance Institute for Highway Safety (IIHS)



© 2015 Impreza

Pre-Collision Braking



A driver ahead unexpectedly hits the brakes or cuts you off. EyeSight^{®1} warns you, applies the brakes, and at lower speeds, can even help you stop your Subaru.

Pre-Collision Throttle Management



If you put the car in Drive instead of Reverse and EyeSight[®] sees an object in your path, it cuts power to help you avoid accelerating into it.

Adaptive Cruise Control



Traffic doesn't always flow, so EyeSight[®] doesn't only keep a set speed. The system looks ahead and helps the Subaru automatically adjust to keep your distance, even in stop-and-go highway traffic.

Lane Departure and Sway Warning



You accidentally drift to the edge of your lane and begin to cross into another. EyeSight[®] watches for lane markers and chimes to warn you before you leave your lane.

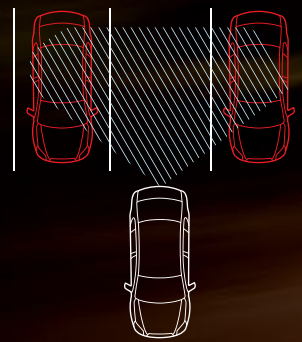
¹ EyeSight is a driver assist technology which may not operate optimally under all driving conditions. The driver is always responsible for safe and attentive driving. System effectiveness depends on many factors such as vehicle maintenance, weather and road conditions. See Owner's Manual for complete details on system operation and limitations. Please remember to turn off EyeSight when going through a carwash.

² 2014 Top Safety Picks include the 2015 Subaru Forester, WRX, BRZ, Legacy and Outback.

A car you can trust to protect.

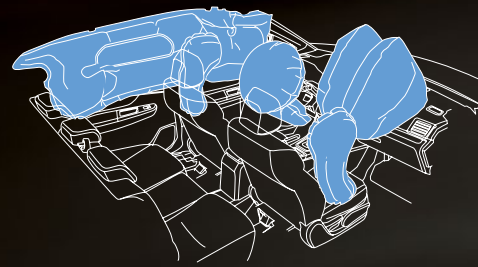
Safety from all sides.

With more 2014 IIHS Top Safety Picks than any other brand, the 2015 Impreza comes from a long line of vehicles proven to protect¹. You can count on the added awareness of the standard Rear-Vision Camera, the reassurance of seven standard airbags² and the exceptional strength of the Ring-shaped Reinforcement Frame to help protect everyone inside.



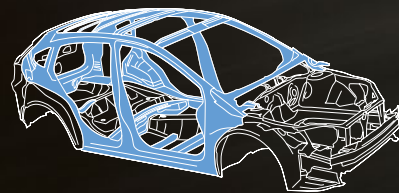
Rear-Vision Camera

Before you can avoid danger, you have to see it coming. The Impreza features a standard Rear-Vision Camera that gives you a clearer view of the area behind your vehicle, so you can be in charge of your surroundings.



Airbags

To help keep occupants safe, we included seven standard airbags, including a driver's knee airbag to help reduce injuries in the event of a crash.²



Ring-shaped Reinforcement Frame

The Ring-shaped Reinforcement Frame strengthens the passenger cabin from the roof to the doors, pillars and floor. This design helps to divert and dissipate impact energy away from the occupants in a collision.



“An IIHS Top Safety Pick for seven years running (2008–2014).”

– Insurance Institute for Highway Safety (IIHS)

¹ 2014 Top Safety Picks include the 2015 Subaru Forester, WRX, BRZ, Legacy and Outback.
² Always wear seatbelts. Children should be properly restrained in the rear seat.

“On the road, the **Impreza is surprisingly responsive**, with good feedback from its electric-assist power steering and a predictable, controlled feel when rounding sharp corners. But the **Impreza’s real trump card is its permanently engaged Symmetrical All-Wheel Drive.**”

AutoTrader.com, 2014 Impreza Review



“In past years, AWD was often consumers’ sole reason for buying a Subaru Impreza, but the current car also **features a modern, roomy interior, a comfortable ride quality and steady handling, making it a viable small car option for a wider range of shoppers.**”

Edmunds.com, 2014 Impreza Review

“Want an **affordable and fuel-efficient compact car with all-wheel-drive?** Subaru’s Impreza sedan and hatchback **are your best options...**”

LeftLaneNews.com, 2014 Impreza Review

Impreza 2.0i Premium 5-door in Jasmine Green Metallic.

2015 Impreza | Trim Levels



2.0i 4-door and 5-door

- 148-hp 2.0-liter 4-cylinder SUBARU BOXER® engine
- Subaru Symmetrical All-Wheel Drive
- 5-speed manual transmission or optional Lineartronic® CVT (Continuously Variable Transmission)
- 15-inch steel wheels with covers
- Cloth upholstery
- Rear spoiler
- 6-way manually adjustable driver's seat. 4-way manually adjustable front-passenger's seat.
- SUBARU STARLINK™ in-vehicle technology system with Pandora®, iHeartRadio® and Aha™ smartphone app integration¹, 6.2-inch high-resolution LCD touchscreen display, 4 speakers, AM/FM/CD player, HD Radio® with iTunes® tagging capability, USB port/iPod® control, Bluetooth® audio streaming and hands-free phone connectivity, and 3.5-mm auxiliary jack
- Manually adjustable CFC-free air conditioning with air filtration
- Electronic cruise control
- Rear-Vision Camera



2.0i Premium 4-door and 5-door

- Includes 2.0i key features and adds:**
- Lineartronic® CVT (Continuously Variable Transmission) with manual mode paddle shifters
 - 16-inch aluminum-alloy wheels
 - Body-color side mirrors
 - SUBARU STARLINK™ in-vehicle technology system with Pandora®, iHeartRadio® and Aha™ smartphone app integration¹, 6.2-inch high-resolution LCD touchscreen display, 6 speakers, AM/FM/CD player, HD Radio® with iTunes® tagging capability, USB port/iPod® control, Bluetooth® audio streaming and hands-free phone connectivity, and 3.5-mm auxiliary jack
 - All-Weather Package: Heated exterior mirrors, dual-mode heated front seats, windshield wiper de-icer



2.0i Limited 4-door and 5-door

- Includes 2.0i Premium key features and adds:**
- 17-inch aluminum-alloy wheels
 - Fog lights
 - Body-color side mirrors with integrated turn signals
 - Leather-trimmed upholstery
 - Leather-wrapped steering wheel and shift handle
 - Automatic climate control system
 - SUBARU STARLINK™ in-vehicle technology system with Pandora®, iHeartRadio® and Aha™ smartphone app integration¹, 7.0-inch high-resolution LCD touchscreen display, voice-activated controls, 6 speakers, AM/FM/CD player, HD Radio® with iTunes® tagging capability, USB port/iPod® control, SiriusXM® Satellite Radio², Bluetooth® audio streaming and hands-free phone and text messaging connectivity, and 3.5-mm auxiliary jack
 - Auto-on/off headlights
 - Welcome lighting



2.0i Sport Premium 5-door

- 148-hp 2.0-liter 4-cylinder SUBARU BOXER® engine
- Subaru Symmetrical All-Wheel Drive
- 5-speed manual transmission or optional Lineartronic® CVT (Continuously Variable Transmission) with manual-mode paddle shifters
- Fog lights
- 17-inch aluminum-alloy wheels with gray finish
- Roof rails, black finish
- Body-color side mirrors with integrated turn signals
- Striped cloth upholstery
- SUBARU STARLINK™ in-vehicle technology system with Pandora®, iHeartRadio® and Aha™ smartphone app integration¹, 6.2-inch high-resolution LCD touchscreen display, 6 speakers, AM/FM/CD player, HD Radio® with iTunes® tagging capability, USB port/iPod® control, Bluetooth® audio streaming and hands-free phone connectivity, and 3.5-mm auxiliary jack
- Leather-wrapped steering wheel and shift handle
- All-Weather Package: Heated exterior mirrors, dual-mode heated front seats, windshield wiper de-icer



2.0i Sport Limited 5-door

- Includes 2.0i Sport Premium key features and adds:**
- Lineartronic® CVT (Continuously Variable Transmission) with manual-mode paddle shifters
 - Leather-trimmed upholstery
 - Automatic climate control system
 - SUBARU STARLINK™ in-vehicle technology system with Pandora®, iHeartRadio® and Aha™ smartphone app integration¹, 7.0-inch high-resolution LCD touchscreen display, voice-activated controls, 6 speakers, AM/FM/CD player, HD Radio® with iTunes® tagging capability, USB port/iPod® control, SiriusXM® Satellite Radio², Bluetooth® audio streaming and hands-free phone and text messaging connectivity, and 3.5-mm auxiliary jack
 - Auto-on/off headlights
 - Welcome lighting

¹ Compatible smartphone and applications required. For applications to operate, latest version of each application is required. Data provided by smartphone is displayed on the audio system screen. Some state laws prohibit the operation of handheld electronic devices while operating a vehicle. Smartphone apps should only be launched when vehicle is safely parked. Your wireless carrier's rates may apply.
² Activation and required monthly subscription sold separately. Includes 4-month trial subscription. See your retailer.

2015 Impreza | Specifications

Engine and Drivetrain		2.0i	2.0i Sport
Power Torque	2.0-liter DOHC aluminum-alloy 16-valve horizontally opposed 4-cylinder SUBARU BOXER® engine with Dual Active Valve Control System. 148 hp @ 6,200 rpm 145 lb-ft @ 4,200 rpm	●	●
Transmission	Fully synchronized 5-speed manual with Incline Start Assist. 2.0i and 2.0i Sport Premium: Standard. 2.0i Premium, 2.0i Limited and 2.0i Sport Limited: N/A.	●	●
	Lineartronic® CVT (Continuously Variable Transmission) with Adaptive Control and Incline Start Assist. 2.0i and 2.0i Sport Premium: Optional. 2.0i Premium, 2.0i Limited and 2.0i Sport Limited: Standard.	○	○
CA Emissions	LEVII PZEV ¹	●	●
Traction and Stability			
All-Wheel Drive type	Subaru Symmetrical All-Wheel Drive	●	●
Vehicle Dynamics Control (VDC)	VDC electronic stability control utilizes sensors which constantly monitor wheel speeds, steering angle, brake pressure, vehicle yaw rate and lateral g-forces. If VDC detects a difference between the driver's intended path and the one the vehicle is actually taking, VDC applies braking power and/or reduces engine torque to help correct vehicle path.	●	●
Traction Control System (TCS)	VDC also incorporates an all-wheel, all-speed traction control system which senses a loss of traction and applies braking force to the slipping wheel or wheels as necessary to maintain vehicle motion.	●	●
Fuel			
Economy	city/highway/combined ²	Manual: 25/34/28 mpg CVT: 28/37/31 mpg	Manual: 24/33/28 mpg CVT: 27/36/31 mpg
Fuel Requirement	Unleaded gasoline (87 octane)	●	●
Fuel Capacity	14.5 gallons	●	●
Chassis			
Steering	Electric power-assisted quick-ratio rack-and-pinion. Turning circle: 34.8 feet.	●	●
Suspension	4-wheel independent. Front: MacPherson strut type. Stabilizer bar. Rear: Double wishbone. Stabilizer bar. (2.0i: Front stabilizer bar only)	●	●

2015 Impreza | Specifications

Chassis (continued)		2.0i	2.0i Sport
Brakes	4-wheel disc, ventilated front. 4-channel, 4-sensor ABS with Electronic Brake-force Distribution (EBD).	●	●
Brake Discs (front/rear)	10.9 inches/10.8 inches	●	●
Brake Assist	When emergency braking is detected by how quickly the brake pedal is pressed, maximum brake pressure is immediately applied.	●	●
Brake Override System	If both brake and accelerator pedals are pressed simultaneously, the system reduces the operation of the accelerator pedal to help prevent unintentional vehicle acceleration.	●	●
Wheels and Tires			
Wheels	2.0i: 15 x 6.0-inch steel with covers 2.0i Premium: 16 x 6.5-inch aluminum-alloy. Silver finish. 2.0i Limited and Alloy Wheel Package: 17 x 7.0-inch aluminum-alloy. Silver finish.	●	—
	2.0i Sport Premium and 2.0i Sport Limited: 17 x 7.0-inch 5-hole aluminum-alloy. Gray finish.	—	●
Tires	2.0i: 195/65 R15 89H all-season	●	—
	2.0i Premium: 205/55 R16 89V all-season	●	—
	2.0i Sport Premium, 2.0i Limited, 2.0i Sport Limited and Alloy Wheel Package: 205/50 R17 88V all-season	●	●
Spare Tire	Temporary use T135/80 D16	●	●

Some images shown are for illustration purposes only. Specifications in this brochure are based on the latest product information available at the time of publication. For the most up-to-date and detailed product information, log on to www.subaru.com. Some equipment shown in photography in this brochure is optional at extra cost. Specific options may be available only in combination with other options. Specific combinations of equipment or features may vary from time to time and by geographic area. Certain accessories and equipment may not be available at the time of publication. Subaru of America, Inc., reserves the right to change or discontinue at any time, without notice, prices, colors, materials, equipment, accessories, specifications, models and packages without incurring any obligation to make the same or similar changes on vehicles previously sold. Colors shown may vary due to reproduction and printing processes.

This brochure was prepared by Subaru of America, Inc. A warranty from Subaru of America, Inc., is available only on cars sold to the first retail purchaser through an authorized Subaru retailer in the continental U.S. or Alaska. Every owner of the car during the warranty period shall be entitled to the benefit of these warranties. Subaru, SUBARU BOXER, Lineartronic, Added Security and Impreza are registered trademarks. Confidence in Motion and Starlink are trademarks of Fuji Heavy Industries, Ltd. EyeSight is a registered trademark of Fuji Heavy Industries, Ltd. Aha is a trademark of Harman International Industries, Incorporated. Bluetooth is a registered trademark of Bluetooth SIG, Incorporated. HD Radio is a trademark of iBiquity Digital Corporation. HomeLink is a registered trademark of Prince Corporation, a wholly owned subsidiary of Johnson Controls. Apple, iPod, iPad and iTunes are registered trademarks of Apple Inc. App Store is a service mark of Apple Inc. Android is a trademark of Google Inc. SiriusXM and NavTraffic are trademarks of SiriusXM Radio Inc. iHeartRadio is a registered trademark of Clear Channel Communications, Inc. Pandora is a registered trademark of Pandora Media, Inc. For more information, contact your Subaru retailer or log on to www.subaru.com.

● Standard ○ Optional — Not equipped

2015 Impreza | Equipment

Exterior	2.0i	2.0i Premium	2.0i Limited	2.0i Sport Premium	2.0i Sport Limited
Fog lights	□	□	●	●	●
Steering-responsive fog lights (when equipped with optional EyeSight® Driver Assist Technology)	—	—	○	—	○
Black folding side mirrors	●	—	—	—	—
Body-color folding side mirrors	—	●	—	—	—
Body-color folding side mirrors with integrated turn signals	—	—	●	●	●
Body-color door handles	●	●	—	●	●
Body-color door handles with chrome accents	—	—	●	—	—
Heated side mirrors and windshield wiper de-icer (All-Weather Package)	—	●	●	●	●
Single exhaust outlet with stainless tip (4-door)	—	○ ^{3,4}	●	—	—

Seating and Trim

6-way manually adjustable driver's seat. 4-way manually adjustable front-passenger's seat.	●	●	●	●	●
Heated front seats (All-Weather Package)	—	●	●	●	●
60/40-split flat-folding rear seatbacks	●	●	●	●	●
Leather-trimmed steering wheel with silver stitching	—	○ ^{3,4}	●	●	●
Leather-wrapped automatic transmission shifter handle	—	○ ^{3,4}	●	●	●
Tricot or Striped cloth upholstery	●	●	—	●	—
Leather-trimmed upholstery	—	—	●	—	●

Convenience Features

Welcome lighting (when approaching or departing vehicle)	—	—	●	—	●
Keyless Access with Push-button Start and pin-code vehicle access ^{4,5}	—	—	○	—	○
Auto-on/off headlights	—	—	●	—	●
Driver's auto-up/down power window	●	●	●	●	●
Electronic cruise control	●	●	●	●	●
3-spoke steering wheel with audio system, cruise control and Bluetooth® buttons	●	●	—	—	—
Leather-wrapped 3-spoke steering wheel with audio system, Bluetooth®, cruise control or (if equipped) EyeSight® adaptive cruise control buttons	—	○ ^{3,4}	●	●	●
Automatic transmission manual-mode paddle shifters	—	●	●	○	●
Manually adjustable tilt/telescoping steering column	●	●	●	●	●
Center console with sliding armrest lid	—	●	●	●	●

Audio System

SUBARU STARLINK™ in-vehicle technology system with Pandora®, iHeartRadio® and Aha™ smartphone app integration ⁶ , 6.2-inch high-resolution LCD touchscreen display, AM/FM/CD player, HD Radio® with iTunes® tagging capability, USB port/iPod® control, Bluetooth® audio streaming and hands-free phone connectivity, and 3.5-mm auxiliary jack	●	●	—	●	—
SUBARU STARLINK™ in-vehicle technology system with Pandora®, iHeartRadio® and Aha™ smartphone app integration ⁶ , 7.0-inch high-resolution LCD touchscreen display, voice-activated controls, AM/FM/CD player, HD Radio® with iTunes® tagging capability, USB port/iPod® control, SiriusXM® Satellite Radio ⁷ , Bluetooth® audio streaming and hands-free phone and text messaging connectivity, and 3.5-mm auxiliary jack	—	—	●	—	●
4 speakers	●	—	—	—	—
6 speakers	—	●	●	●	●

Climate Control

Manually adjustable CFC-free air-conditioning system with rotary controls for temperature, 4-speed fan and airflow direction	●	●	—	●	—
Automatic climate control system with CFC-free air conditioning and rotary controls for temperature, fan and airflow direction	—	—	●	—	●

Instrumentation

Analog speedometer, tachometer, "eco" fuel economy and fuel level gauges	●	●	●	●	●
Digital trip computer displaying current and average fuel economy, average vehicle speed, journey time, digital clock and ambient temperature	●	●	●	●	●

2015 Impreza | Equipment

Security	2.0i	2.0i Premium	2.0i Limited	2.0i Sport Premium	2.0i Sport Limited
Keyless entry system with answer-back electronic chirp	●	●	●	●	●
Antitheft security system with engine immobilizer	●	●	●	●	●

Safety	2.0i	2.0i Premium	2.0i Limited	2.0i Sport Premium	2.0i Sport Limited
ACTIVE					
Subaru Symmetrical All-Wheel Drive (AWD)	●	●	●	●	●
EyeSight® Driver Assist Technology ^{5,8,9}	—	—	○	—	○
Vehicle Dynamics Control (VDC)	●	●	●	●	●
Traction Control System (TCS)	●	●	●	●	●
4-wheel antilock braking system (ABS) with Electronic Brake-force Distribution (EBD)	●	●	●	●	●
Brake Assist	●	●	●	●	●
Brake Override System	●	●	●	●	●
Rear-Vision Camera	●	●	●	●	●
Tire Pressure Monitoring System (TPMS)	●	●	●	●	●
Daytime Running Lights (DRL)	●	●	●	●	●
PASSIVE					
Dual-stage deployment driver and front-passenger front airbags (SRS) ¹⁰	●	●	●	●	●
Subaru advanced frontal airbag system (SRS) ¹⁰	●	●	●	●	●
Side-curtain airbags protecting front and rear outboard occupants (SRS) ¹⁰	●	●	●	●	●
Seat-mounted front side-impact airbags (SRS) ¹⁰	●	●	●	●	●
Driver's side knee airbag (SRS) ¹⁰	●	●	●	●	●
Whiplash protection front seats	●	●	●	●	●
Height-adjustable front seat head restraints	●	●	●	●	●
Three individual rear seat head restraints	●	●	●	●	●
Height-adjustable 3-point front seatbelts with pretensioners and force limiters. 3-point seatbelts at all rear seating positions.	●	●	●	●	●
LATCH system: Lower Anchors and Tethers for Children	●	●	●	●	●

Optional Equipment	2.0i	2.0i Premium	2.0i Limited	2.0i Sport Premium	2.0i Sport Limited
Lineartronic® CVT (Continuously Variable Transmission)	○	●	●	○	●
Power tilt/sliding-glass moonroof (95% UVA and 99% UVB light reducing) ^{5,11}	—	○ ¹²	○ ¹³	○	○ ¹³
EyeSight® Driver Assist Technology ^{5,8,9} : Pre-Collision Braking System, Pre-Collision Throttle Management, Lane Departure and Sway Warning, Adaptive Cruise Control	—	—	○	—	○
Keyless Access with Push-button Start and pin-code vehicle access ^{4,5}	—	—	○	—	○
Navigation System: Voice-activated 7-inch multi-touch gesture high-resolution GPS navigation system with integrated audio system, SiriusXM® Satellite Radio ⁷ , NavTraffic ^{®7} , NavWeather ^{®7} , USB port/iPod® control, Bluetooth® audio streaming, voice-activated controls, hands-free phone and text messaging connectivity, 3.5-mm auxiliary jack, and SUBARU STARLINK™ in-vehicle technology system with Pandora®, iHeartRadio® and Aha™ smartphone app integration ⁶	—	—	○ ^{5,14}	—	○ ¹⁴
Alloy Wheel Package: 17-inch alloy wheels, single exhaust outlet with stainless tip (4-door), leather-wrapped steering wheel and shifter handle	—	○ ^{4,5}	●	●	●

● Standard ○ Optional — Not equipped □ Available retailer-installed accessory

1 2015 Subaru Impreza 2.0i models achieving a Partial Zero Emission Vehicle (PZEV) rating by the California Air Resources Board are available in all 50 states. Only those registered in California, Connecticut, Maine, Maryland, Massachusetts, New Jersey, New York, Rhode Island and Vermont will be eligible for the 15 years/150,000 mile emission warranty. Delaware, Oregon, Pennsylvania and Washington vehicles are not covered under PZEV emissions control warranty. See your warranty maintenance booklet for additional information. 2 2015 EPA fuel economy estimates. Actual mileage may vary. 3 Included in Alloy Wheel Package. Not available on 5-door. See Optional Equipment listing above. 4 Requires Power Moonroof. See Optional Equipment listing above. 5 Not available on non-Sport 5-door. 6 Compatible smartphone and applications required. For applications to operate, latest version of each application is required. Data provided by smartphone is displayed on the audio system screen. Some state laws prohibit the operation of handheld electronic devices while operating a vehicle. Smartphone apps should only be launched when vehicle is safely parked. Your wireless carrier's rates may apply. 7 Activation and required monthly subscription sold separately. Includes 4-month trial subscription. See your retailer. 8 EyeSight is a driver assist technology which may not operate optimally under all driving conditions. The driver is always responsible for safe and attentive driving. System effectiveness depends on many factors such as vehicle maintenance, weather and road conditions. Pre-Collision Braking System is designed to provide automatic braking that either prevents a collision or reduces the severity of a frontal impacts. Pre-Collision Throttle Management is designed to reduce acceleration and minimize the severity of certain frontal impacts. Adaptive Cruise Control and Brake Light Recognition are designed to assist the driver and are not substitutes for safe and attentive driving. The Lane Departure and Sway Warning operates only when the lane markings are visible and its effectiveness depends on many factors. See Owner's Manual for complete details on system operation and limitations. Please remember to turn off EyeSight when going through a carwash. 9 Requires Power Moonroof, Navigation System and Keyless Access with Push-button Start. See Optional Equipment listing above. 10 The Supplemental Restraint System (SRS) (airbags) affords the driver and the front and rear outboard passengers additional protection in moderate to severe frontal and side-impact collisions. This system provides supplemental protection only, and seatbelts must be worn in order to avoid injuries to out-of-position occupants upon airbag deployment and to provide the best combined protection in a serious accident. Children should always be properly restrained in the rear seat. 11 The glass information listed represents calculated reference values, and may not represent actual values determined by testing. 12 Requires Alloy Wheel Package. Not available on 5-door. See Optional Equipment listing above. 13 Requires Keyless Access with Push-button Start. See Optional Equipment listing above. 14 Requires EyeSight, Power Moonroof and Keyless Access with Push-button Start. See Optional Equipment listing above.



All-Weather Floor Mats. Custom-fitted heavy-gauge floor mats help protect the vehicle carpet from sand, dirt and moisture. Not intended for use on top of carpeted floor mats.



Remote Engine Starter. Allows vehicle to be started by pushing a button from the convenience of home or office (up to 400 feet away depending on obstructions) so that the vehicle interior is more comfortable upon entry. The start/stop button blinks to confirm the engine has started.

A/T only.



Remote Engine Starter—Smart Engine Start. Allows the vehicle to be started at the push of a button from outside the vehicle. Preset the heating or air conditioner controls to help bring the interior temperature to a more comfortable level prior to entry. Smart Engine Start works in conjunction with the Keyless Access with Push-button Start system. Operating distance is up to 75 feet depending on obstructions.

A/T only.



Body Side Moldings. Attractive, color-matched moldings coordinate with the styling of the vehicle while helping to protect doors from unsightly dings.



110 Volt Power Outlet. Add power with a 110 Volt, 100-Watt 2-prong power outlet.



Roof Spoiler. Adds a sporty finishing touch to the Impreza 5-door models.



Moonroof Air Deflector. Helps to reduce wind noise and sun glare.



Roof Cargo Carrier. Provides 13 cubic feet of lockable storage capacity. Opens from rear to accommodate loading from three sides. Measures 56"L x 36"W x 18"H. Requires Crossbar Kit. Consult vehicle Owner's Manual for total roof-load limit.



Rear Seatback Protector. Helps protect 5-door rear seatbacks from dirt and spills when the rear seats are folded flat.

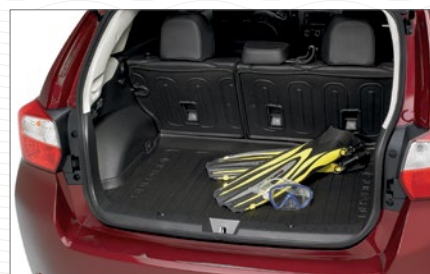


Side Window Deflectors. Designed to let the fresh air in while helping to keep the rain out of the vehicle. Black acrylic plastic construction is designed specifically for an exact fit on the Impreza models.

May not be legal in all states. Please check the laws of your state.



Auto-Dimming Mirror with HomeLink® Mirror darkens when headlights are detected from behind the vehicle. Includes a compass and three integrated HomeLink® buttons that are programmable for most garage-door openers and other HomeLink®-compatible devices.



Rear Cargo Tray. Helps protect cargo area from dirt and spills while providing a surface that helps reduce the shifting of cargo when driving. Also available on Impreza 4-door models.

Protecting Your Investment

Once you're part of our family, we'll be there for you. If you have trouble on the road, a tow to the nearest Subaru retailer and other services are just a phone call away. And to protect you over the long haul, we offer Added Security®—extended service agreements and maintenance plans that will help protect your car for up to 7 years or 100,000 miles. They're the only mechanical and maintenance plans backed by Subaru of America, Inc., and because we've been backing them for more than 30 years, they're agreements you can trust. Your retailer has full coverage details.

Subaru Badge of Ownership

True commitment shows through. For Subaru owners, it shows in kayak scuffs and snowboard scratches. It can take the form of dog hair that just won't come out, fresh coats of dust, or extra coats of wax. For many, the Subaru Badge of Ownership lets them show their commitment to the life they live and the confidence that has inspired them to fully embrace it. Owners can order badges online for free, stick them on, and let everyone know how they experience the world. Which one will you get?



Warranties

New Car Limited Warranty	3 years or 36,000 miles, whichever comes first.
Powertrain Limited Warranty	5 years or 60,000 miles, whichever comes first.
Wear Item Limited Warranty	3 years or 36,000 miles, whichever comes first. Repairs to the following items will also be covered under Wear Item Limited Warranty:
Rust Perforation Limited Warranty	5 years, unlimited mileage.
24-hour Roadside Assistance	3 years or 36,000 miles, whichever comes first.

- Brake Pads
- Wiper Blades
- Clutch Linings
- Transmitter Batteries

Take a Guided Tour

It's the ultimate way to get to know the Impreza on your terms. Get up close and personal with color configurators, videos, 360-views, interactive content and more. Available for your desktop, tablet, and on the iTunes® App Store for your iPad®.



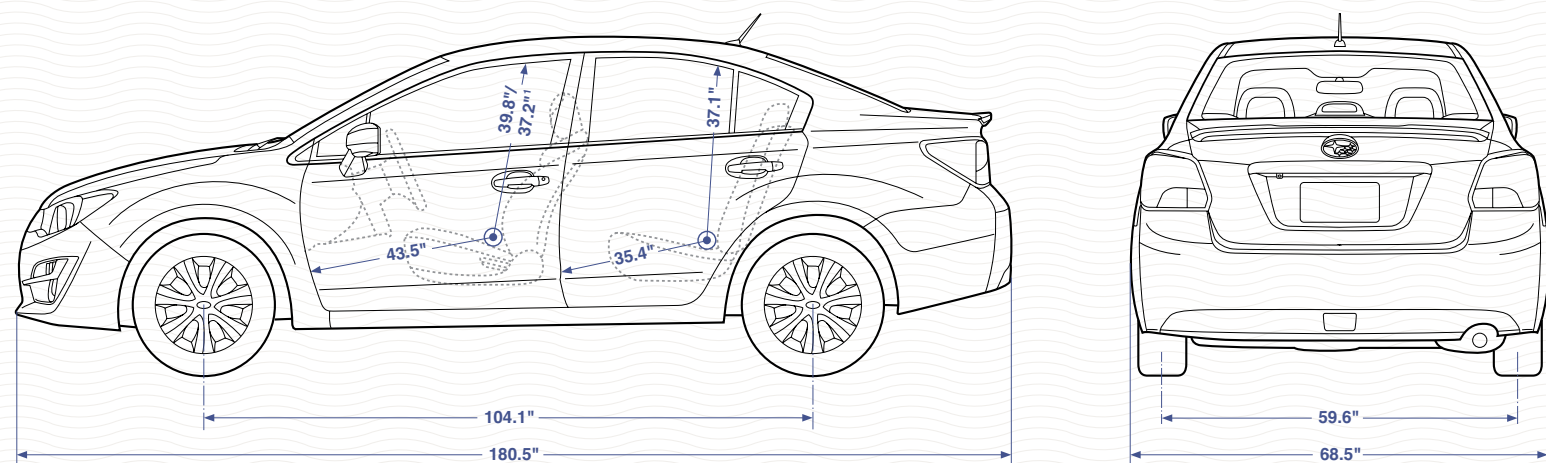
Take the Impreza Guided Tour Online at: tour.subaru.com/Impreza2015

or

Download the free iPad App on iTunes at: tour.subaru.com/ImprezaApp

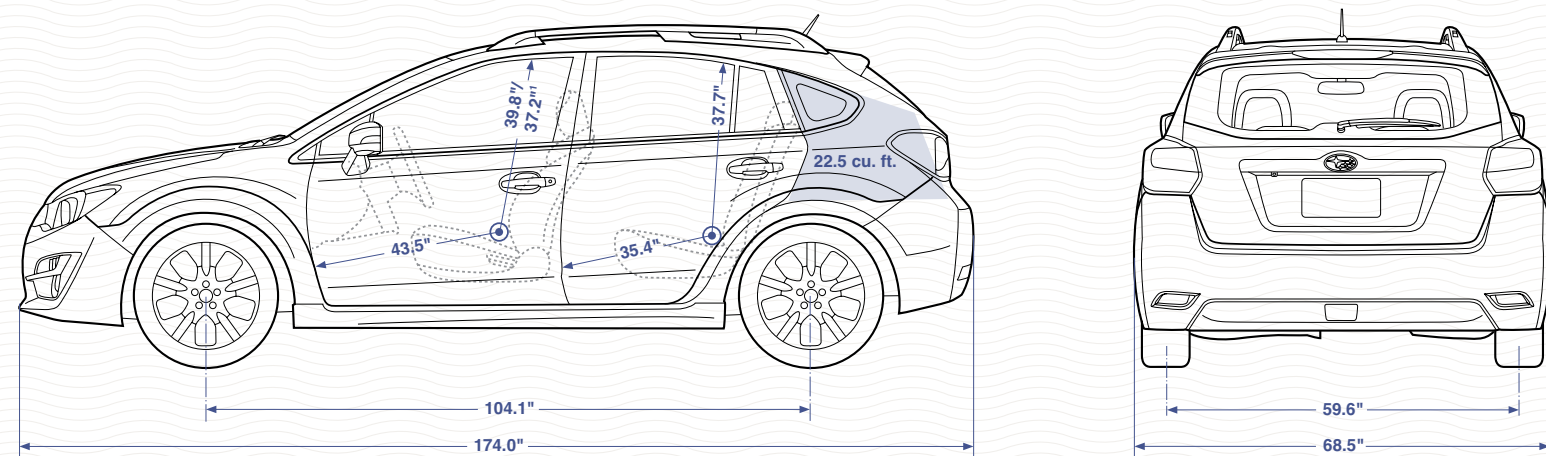
2015 Impreza | Dimensions

Impreza 4-Door



Length/Width/Height	4-door: 180.5 inches/68.5 inches (78.9/79.5 ² including mirrors)/57.7 inches 5-door: 174.0 inches/68.5 inches (78.9/79.5 ² including mirrors)/57.7 inches (2.0i Sport: 59.4 inches ³)
Wheelbase	104.1 inches
Track (front/rear)	59.4 inches/59.6 inches
Base curb weight (4-door/5-door)	2.0i: 2,955 lbs/3,032 lbs 2.0i Premium: N/A/3,076 lbs 2.0i Limited: N/A/3,109 lbs 2.0i Sport Premium: 3,032 lbs/3,109 lbs 2.0i Sport Limited: N/A/3,131 lbs

Impreza 5-Door

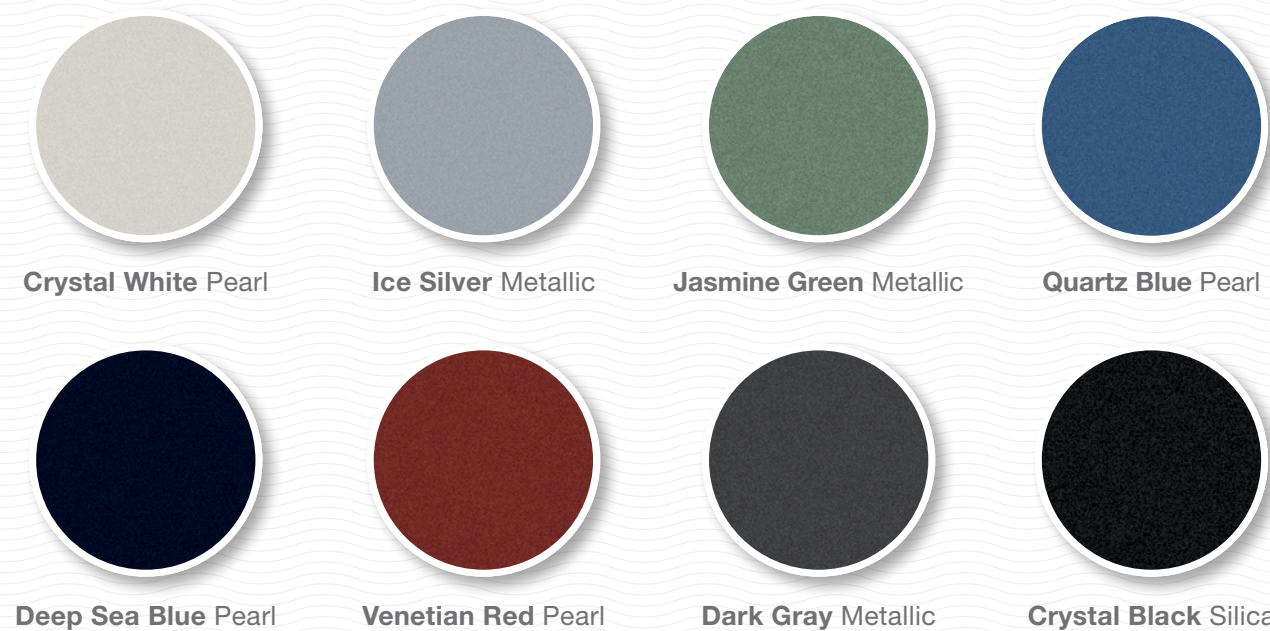


Headroom (front/rear)	4-door: 39.8 inches/37.1 inches (with moonroof: 37.2 inches/37.1 inches) 5-door: 39.8 inches/37.7 inches (with moonroof: 37.2 inches/37.7 inches)
Legroom (front/rear)	43.5 inches/35.4 inches
Shoulder room (front/rear)	55.6 inches/54.2 inches
Hip room (front/rear)	52.2 inches/53.1 inches
Passenger volume	4-door: 96.9 cubic feet (with moonroof: 93.4 cubic feet) 5-door: 97.5 cubic feet (with moonroof: 94.0 cubic feet)
Cargo volume	4-door: 12.0 cubic feet 5-door: 22.5 cubic feet (52.4 cubic feet with rear seat lowered)

1. With available moonroof. Moonroof availability varies by trim level.
2. Mirrors with integrated turn signals.
3. Including roof rails.

2015 Impreza | Colors

Paint



Upholstery



Color Combinations

	2.0i – 2.0i Premium	2.0i Limited	2.0i Sport Premium	2.0i Sport Limited
Crystal White Pearl	BT or IT	BL or IL	BSC or ISC	BL or IL
Ice Silver Metallic	BT	BL	BSC	BL
Jasmine Green Metallic	IT	IL	–	–
Quartz Blue Pearl	BT	BL	BSC	BL
Deep Sea Blue Pearl	–	–	ISC	IL
Venetian Red Pearl	BT	BL	BSC	BL
Dark Gray Metallic	BT	BL	BSC	BL
Crystal Black Silica	BT or IT	BL or IL	BSC or ISC	BL or IL

– Not available