



RLX

Certain cars have the ability to change how people feel. It's an elusive quality that's difficult to measure. And even harder to create. For us it means starting with one goal—bringing the driver and vehicle closer. It sounds simple, but it changes everything. It changes how we imagine possibilities, experiment with technology, and engineer smarter solutions. We believe there's no other way to create cars like the Acura RLX and RLX Sport Hybrid. Vehicles that demonstrate what happens when you push yourself to go BEYOND THE MACHINE.



RLX



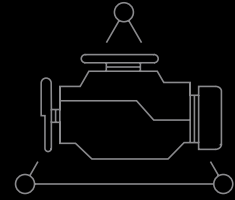
The RLX sedan is the ultimate expression of Acura's challenge to the automotive status quo. One of our greatest achievements in luxury, performance, and technology.

RLX Sport Hybrid shown in Crystal Black Pearl



RLX | SPORT HYBRID

The all-wheel-drive RLX Sport Hybrid is the most powerful and technologically advanced sedan we've ever made.



SPORT HYBRID SH-AWD®
(SUPER HANDLING ALL-WHEEL DRIVE™)
BORN OF THE NEXT-GENERATION NSX
PRECISION ALL-WHEEL STEER™ (P-AWS™)

PERFORMANCE

WELCOME
TO THE
INDUSTRIAL
EVOLU-
TION



SPORT HYBRID SH-AWD
(SUPER HANDLING ALL-WHEEL DRIVE)

It took a new level of technology to push the already advanced world of sports handling even further. This cutting-edge hybrid system delivers a driving experience like no other—incredibly responsive power delivery and precise, sure-footed handling.



SPORT HYBRID SH-AWD

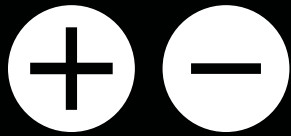
It should come as no surprise that the Sport Hybrid's performance calls to mind a V-8: Its three electric motors can produce 100 percent of their torque instantly. To deliver equally surprising fuel economy, the hybrid system can employ only electric power at low speeds, in addition to using regenerative braking technology as needed.

3 ELECTRIC
MOTORS

3.5 LITER
V-6 ENGINE

377 COMBINED
HORSEPOWER

341 COMBINED
LB-FT TORQUE



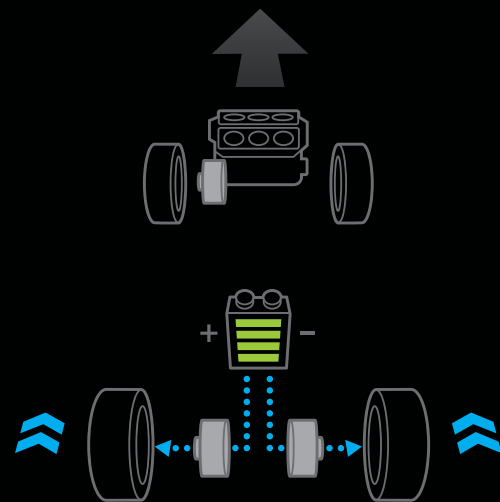
SPORT HYBRID SH-AWD

From a standing start, the SH-AWD system can use the rear motors to drive the rear wheels. Because they're electric, these motors are able to deliver all their torque instantly, which translates to dramatic acceleration off the line. Should you need this kind of acceleration at speed, the gasoline engine and all three electric motors kick in simultaneously to deliver it quickly.

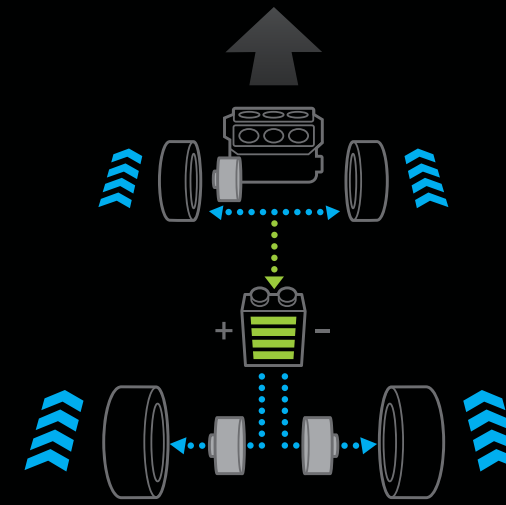
This system's benefits are just as dramatic when it comes to handling. In a tight curve, the rear electric motors independently apply positive and negative torque to the rear wheels. This torque-vectoring effect helps rotate the Sport Hybrid through turns with precision. In wet weather, SH-AWD monitors speed, wheelspin, driver input, and more to distribute power to the wheels with the most traction. And whenever you're braking or coasting, the ever-efficient system captures kinetic energy and uses it to charge its advanced lithium-ion battery.

ACCELERATION
REGENERATIVE BATTERY

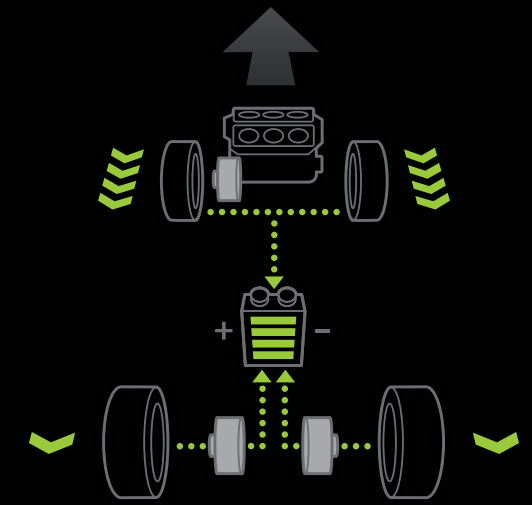
Electric-Only Acceleration



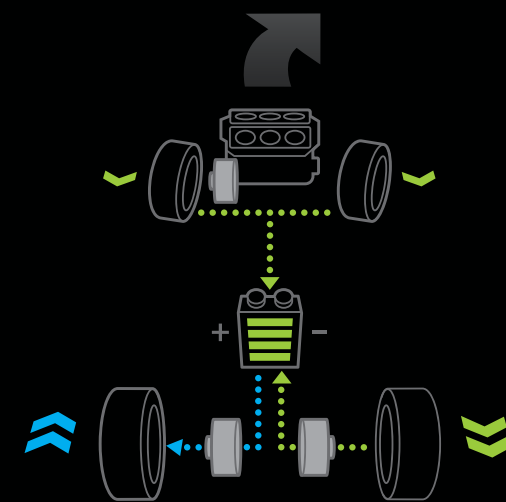
Straight-Line-Full-Throttle Acceleration



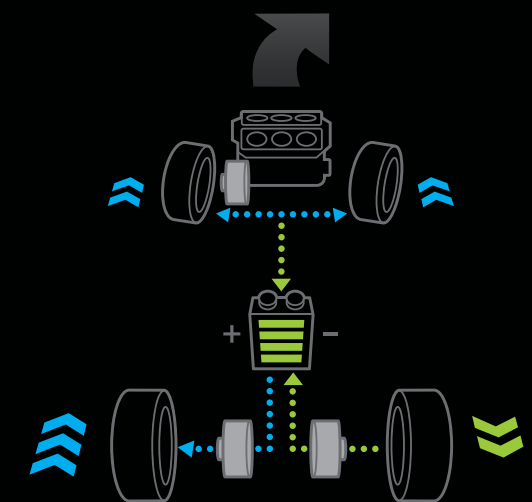
Deceleration/Regenerative Braking



Right Turn Throttle Off



Right Turn Throttle On





THE
DRIVER'S
WILL,
A MOVING
PART

PRECISION ALL-WHEEL STEER
(P-AWS)

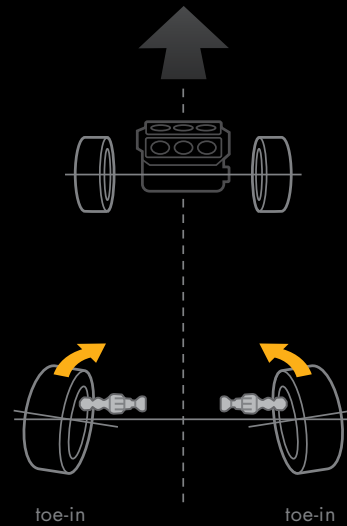
Through every corner, bend, and arc runs a line that each driver tries to follow. The world's first Precision All-Wheel Steer (P-AWS) system seems to know exactly that line the instant the driver does.*

*Precision All-Wheel Steer (P-AWS) is not available on the RLX Sport Hybrid.

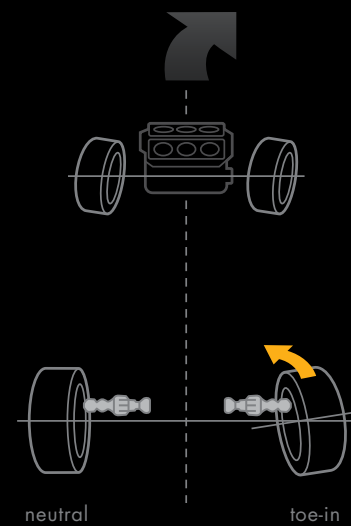
PRECISION ALL-WHEEL STEER

Acura's Precision All-Wheel Steer (P-AWS) allows each rear wheel to adjust its toe angle independently to optimize stability on any road. P-AWS pairs with the Agile Handling Assist dynamic braking system to raise maneuverability and control to new heights.

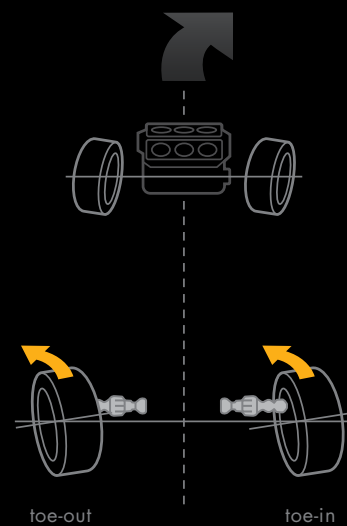
While braking, each rear wheel adjusts inward, increasing stability.



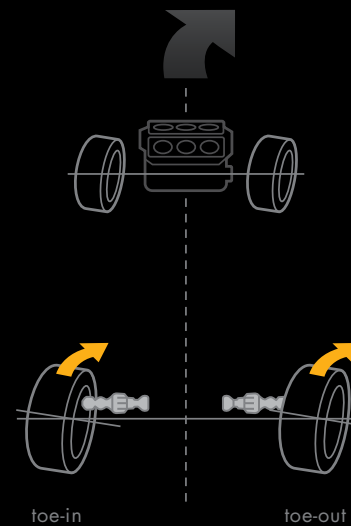
As a turn begins, the inner rear wheel adjusts to help direct the vehicle.

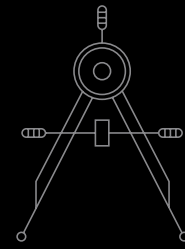


While cornering, both rear wheels are out of phase, making handling agile, precise, and smooth.



During high-speed lane changes, rear wheels are in phase for enhanced response and stability.





JEWEL EYE™ LED HEADLIGHTS
AERODYNAMICS
DUAL PERSONAL STRUCTURE
LEATHER-TRIMMED INTERIOR
ELECTRONIC GEAR SELECTOR
ACTIVE SOUND CONTROL

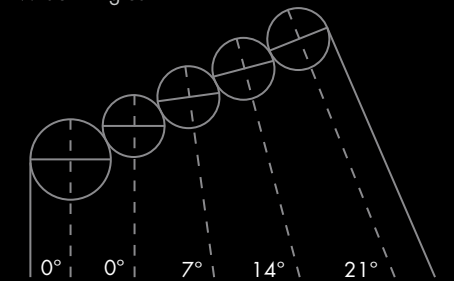
DESIGN

SEE WHAT OTHERS DON'T

JEWEL EYE LED HEADLIGHTS

Another industry first, Acura's Jewel Eye LED headlights consist of ten separate LED lamps designed to mimic natural sunlight, providing brighter and sharper illumination at night than halogen or HID lamps.

Wider Angles



AERODYNAMICS

It took more than eight hundred trips to the wind tunnel and intensive analysis to eliminate surface turbulence. But from front to rear, underbody to roofline, the RLX is one of the most aerodynamic sedans on the road.

800^{TRIPS}

IT'S A LINE IN THE SAND





DUAL PERSONAL STRUCTURE

Here technology, design, and ergonomics come together to create a unique personal space. An automatic memory system remembers driver's seat, steering, and mirror positions, as well as phone, climate, and navigation settings. Leather-trimmed front seats adjust twelve ways, offering lumbar support and multiple levels of personal climate control.

LEATHER SEATS

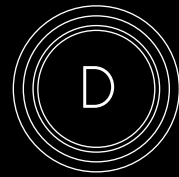
Craftsmanship extends to every detail of the interior, such as seats with available premium Milano leather.

THE HARD SCIENCE OF PERSONAL SPACE

ELECTRONIC GEAR SELECTOR

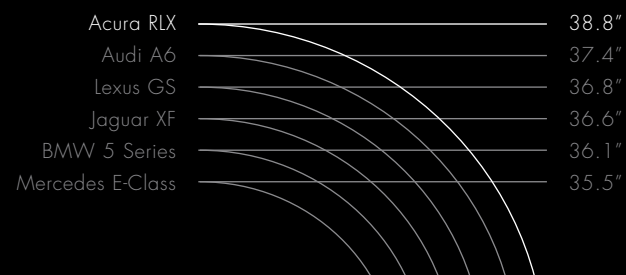
A first for Acura, the RLX Sport Hybrid electronic gear selector's efficiently packaged pushbutton arrangement makes it simple to shift between driving modes.

7 SPEED
DUAL-CLUTCH
TRANSMISSION
(RLX SH-AWD)



WHAT
HAPPENS
WHEN YOU
ABANDON
CHECKING
BOXES
ALTOGETHER?





CLASS-LEADING REAR LEGROOM

With its 38.8 inches of legroom, the midsize RLX is even more spacious than some full-size sedans, such as the Lexus LS and the Audi A8. Rear occupants also have their own climate zone with independent center console controls. The Advance Package includes rear seat dual-level heating.

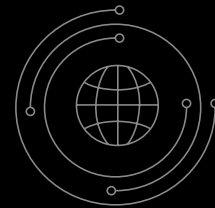
DUAL-OPENING FRONT CENTER CONSOLE

Smart design where you'd least expect to find it. This clever console offers hinged lids on both the front passenger and driver's sides. So whoever needs it has instant access to what's inside.

SERENE INTERIOR

Acura's Active Sound Control cancels out unwanted engine noise by emitting opposing frequencies. At the same time, acoustic glass absorbs and deflects outside distractions. Even the alloy wheels use a noise-reducing design that dramatically lowers tire noise.





HEAD-UP DISPLAY
ON DEMAND MULTI-USE DISPLAY™
(ODMD™)
NAVIGATION
ACURALINK®
AUDIO SYSTEM

TECHNOLOGY

ASK THE RIGHT QUESTIONS AND THE ANSWERS TAKE YOU UNEXPECTED PLACES



50
mph

HEAD-UP DISPLAY

To help keep the driver's eyes focused on the road, the RLX Sport Hybrid's Head-Up Display projects real-time power distribution, turn-by-turn navigation instructions, driver-assistance alerts, and phone book information directly onto the windshield.



ON DEMAND MULTI-USE DISPLAY

The RLX designers started from scratch, devising an intuitive touch screen with all the controls you need at any given time. Its centerpiece is a striking, seven-inch, color On Demand Multi-Use Display touch screen that puts the audio system and other features close at hand.

NAVIGATION

The focal point of the instrument panel is a wide, eight-inch, color screen that combines audio, information, and navigation functions, when properly equipped. Its intuitive, high-resolution display puts virtually every control you need at your fingertips.

TEXT-TO-SPEECH

Reads text messages and email aloud.²

PANDORA® COMPATIBILITY

Your favorite music from your smartphone, controlled through the car.³

NAVIGATION

Acura Navigation System with 3D View. Real-Time Traffic™ including surface streets.⁴

CONNECT APP

Virtual Dashboard. Vehicle Status. Remote Services.

AHA™ COMPATIBILITY

40,000+ stations of news, entertainment, weather, and audiobooks.

24/7 LIVE LINK

Information and Concierge services.⁵

LOCAL SEARCH

Continuously updates to let you search more than 16 million points of interest.

SERVICE CONNECT

Maintenance Minder.™ Automated Appointments.™

SAFETY ASSIST

Emergency Assist. Enhanced Roadside Assistance. Automatic Collision Notification. Stolen Vehicle Locator.⁵

NEXT-GENERATION ACURALINK

Acuralink goes beyond *Bluetooth*®, *iPod*® integration, and conventional navigation to intelligently connect you to the data and media you want. Its expansive technology keeps you more in touch with everything in the cloud, and the world below it.⁵

A SMARTER WAY
OF CONNECTING
WITH YOUR CAR

Drive responsibly. Some state laws prohibit the operation of handheld electronic devices while operating a vehicle. For safety reasons, always launch your audio application or perform any other operation on your phone or audio device only when the vehicle is safely parked.

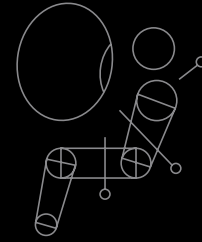
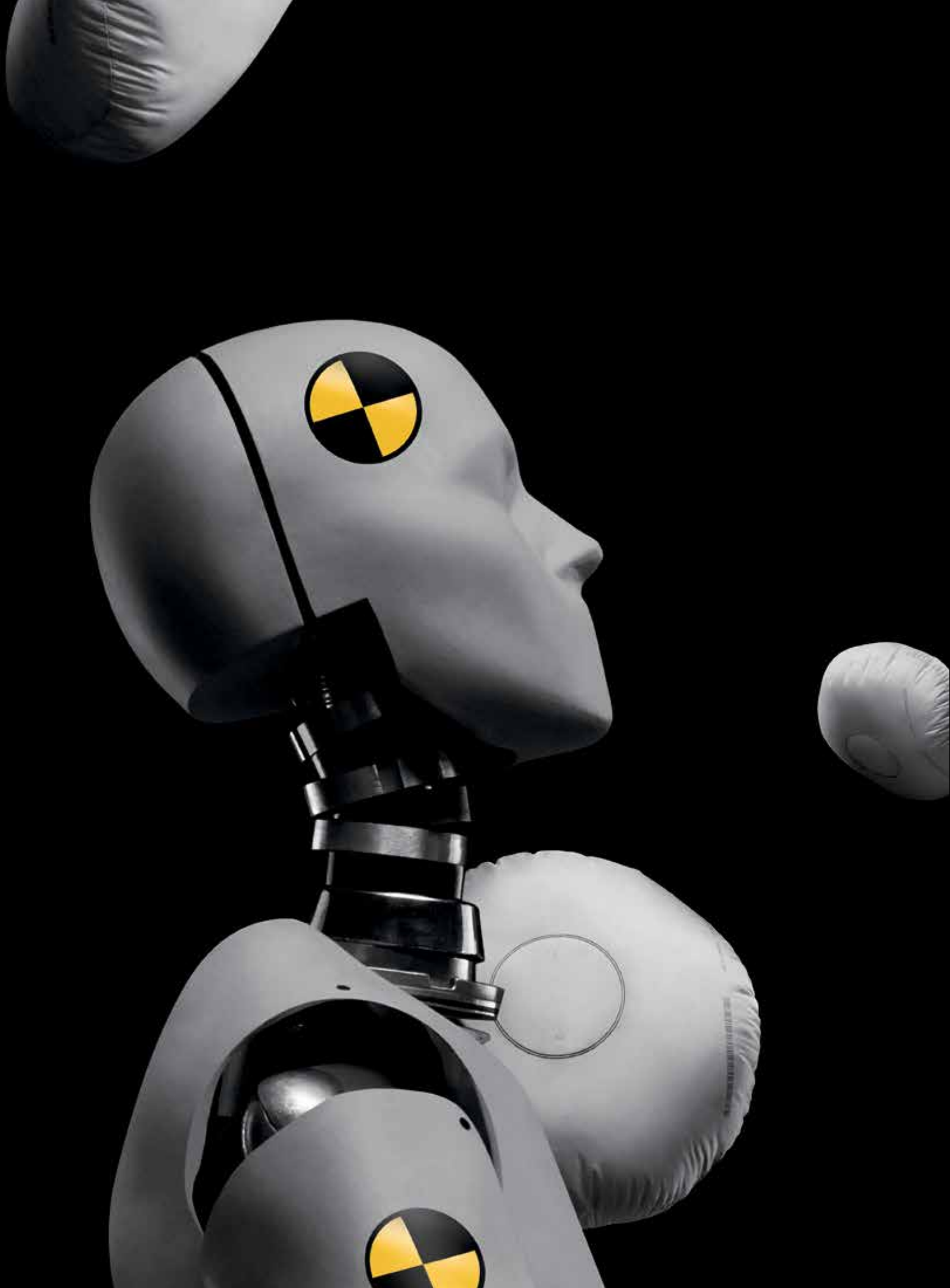
14 SPEAKERS



YOU WILL HEAR
EVERYTHING BUT
COMPROMISE

Krell® Industries, premier maker of high-end audio equipment, took on the challenge of delivering concert-quality sound in an automobile. The result is an available fourteen-speaker system featuring the same output transistors the company puts in its critically acclaimed amplifiers. For those who prefer to feel like they're alongside the musicians in the recording studio, we offer the amazing ELS® system developed by seven-time Grammy Award®-winning recording engineer Elliot Scheiner.





ADVANCED COMPATIBILITY ENGINEERING™ (ACE™)
FORWARD COLLISION WARNING (FCW)
COLLISION MITIGATION BRAKING SYSTEM™ (CMBS™)
LANE KEEPING ASSIST SYSTEM (LKAS)
ADAPTIVE CRUISE CONTROL (ACC)
BLIND SPOT INFORMATION SYSTEM (BSI)
MULTI-VIEW REAR CAMERA

SAFETY
& ASSISTIVE TECHNOLOGY

ADVANCED COMPATIBILITY ENGINEERING (ACE)

Using a network of connected structural elements, ACE distributes frontal crash energy more evenly throughout the vehicle.

This not only helps reduce the forces transferred to the passenger compartment, it also helps disperse the forces transferred to the other vehicle in an impact.



COLLISION MITIGATION BRAKING SYSTEM (CMBS)

To help reduce the likelihood or the severity of a frontal impact, the available CMBS's radar can determine the distance and speed of objects detected directly ahead. If you don't slow down, CMBS automatically tugs at your seat belt and lightly brakes. The instant the system determines it's too late to avoid a collision, CMBS will tighten the seat belts further, and brake firmly.*

FORWARD COLLISION WARNING (FCW)†

In the RLX, when you're traveling above 10 mph, a camera installed near the rearview mirror will trigger both an audible alert and a heads-up warning light if the system determines you are in danger of a collision.**

FLUID
THINKING
SHAPED
BY THE
FIRMEST
STEEL

*Depending on the circumstances, CMBS may not go through all the alert stages before initiating the last stage (of collision mitigation). †Forward Collision Warning (FCW) is not available on models with Collision Mitigation Braking System. **Forward Collision Warning (FCW) cannot detect all objects ahead and may not detect a given object; accuracy will vary based on weather, speed, and other factors. System operation affected by extreme interior heat. FCW does not include a braking function. Driver remains responsible for safely operating vehicle and avoiding collisions.

ADAPTIVE CRUISE CONTROL (ACC)

ACC is a radar-based system that gives you the ability to keep a set interval from a car detected directly in front of you, even at low speeds and in stop-and-go traffic.

BLIND SPOT INFORMATION SYSTEM (BSI)

Using ultrasonic sensors in the rear bumper, the available system flashes an indicator light to let you know someone has been detected in your blind spot and alerts you with an audible signal if you try to change lanes.

LANE KEEPING ASSIST SYSTEM (LKAS)

Like having an alert-but-considerate companion in the car with you, the Lane Keeping Assist System works proactively, gently

guiding your steering when you begin to unintentionally leave a detected lane without signaling. The farther you get from the center

of the lane, the more progressive the torque it applies to the steering to guide you back.

PLAYING INSIDE THE LINES IS STILL ABOUT AVOIDING THEM

MULTI-VIEW REAR CAMERA

As soon as you shift into Reverse, this helpful system displays a real-time image of an area behind you. Particularly helpful is the ability to choose between wide, normal, and overhead views. It even shows you parking guidelines that turn as you turn.

*Adaptive Cruise Control (ACC) with low-speed follow cannot detect all objects ahead and may not detect a given object; accuracy will vary based on weather, speed, and other factors. ACC should not be used in heavy traffic, poor weather, or on winding roads. The driver remains responsible for avoiding a collision. †This system is not a substitute for your own visual assessment before changing lanes; system accuracy will vary based on weather, size of object, and speed.

