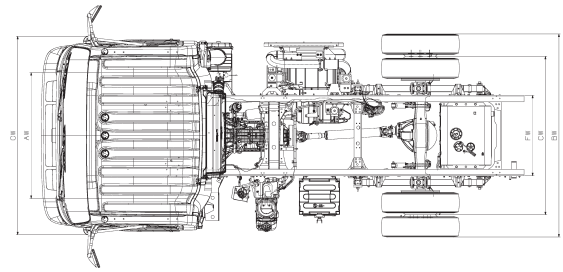
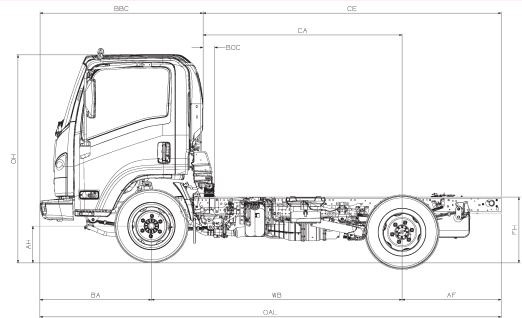


# ISUZU NPR

## STANDARD CAB

|   |   |
|---|---|
| <b>GVWR/GCWR</b>                          | 13,000/19,000 lbs.  |
| <b>BODY/PAYLOAD ALLOWANCE</b>             | 7,435 - 7,607 lbs.  |
| <b>GAWR</b>                               |   |
| Front                                     | 5,360 lbs.  |
| Rear                                      | 9,880 lbs.  |
| <b>FRONT AXLE CAPACITY</b>                | 6,830 lbs.  |
| <b>REAR AXLE CAPACITY</b>                 | 11,020 lbs.   |
| Ratio                                     | 5.125   |
| <b>SUSPENSION F/R SPRINGS</b>             | Tapered/Multi-Leaf  |
| Capacity                                  | 6,830/9,880 lbs.  |
| <b>FRAME</b>                              |   |
| Section Modulus                           | 7.20 in. <sup>3</sup>   |
| Resistance Bending Moment                 | 316,800 lb.-ft./in.   |
| <b>SERVICE BRAKES</b>                     | Vacuum/Hydraulic with   |
| Front/Rear                                | 4-Channel ABS Disc/Drum   |
| <b>EXHAUST BRAKE</b>                      | Standard  |
| <b>TRANSMISSION</b>                       | Aisin A460 6-speed auto,<br>with double overdrive<br>and lock-up 2 <sup>nd</sup> -6 <sup>th</sup> gears |
| <b>ENGINE</b>                             | Isuzu 4JJ1-TC turbocharged<br>intercooled diesel  |
| Displacement                              | 3.0L (183 in. <sup>3</sup> )  |
| Engine Power                              | 150hp @ 2,800 rpm   |
| Engine Torque                             | 282 lb.-ft. @ 1,600-2,800 rpm   |
| Oil Level Indicator                       | Dash-mounted oil level<br>check switch and light  |
| <b>LIMITED SLIP DIFFERENTIAL</b>          | Optional  |
| <b>ALTERNATOR</b>                         | 140-amp   |
| <b>BATTERIES</b>                          | 2 Maintenance-Free<br>750-CCA   |
| <b>TIRES LRR (Low Rolling Resistance)</b> | 215/85R16E (10-pr) Standard   |
| <b>STEERING</b>                           | Integral Hydraulic Power  |
| <b>STEERING COLUMN</b>                    | Tilt and Telescopic   |
| <b>FUEL TANK</b>                          |   |
| Standard                                  | 30 Gal. in-rail   |
| <b>FUEL/WATER SEPARATOR</b>               | Dual fuel filter with dash<br>mounted indicator light   |

# DIESEL



| Wheelbase (in.) | Cab to Axle (in.) | Cab to End of Frame (in.) | Back of Cab (in.) | Overall Length (in.) | Body Length (ft.) | Overall Width (in.) | Axle Width (in.) | Overall Height (in.) |
|-----------------|-------------------|---------------------------|-------------------|----------------------|-------------------|---------------------|------------------|----------------------|
| 109.0           | 86.5              | 129.6                     | 6.1               | 200.5                | 10-12             | 81.3                | 65.6             | 90.8                 |
| 132.5           | 110.0             | 153.1                     | 6.1               | 224.0                | 14                | 81.3                | 65.6             | 90.8                 |
| 150.0           | 127.5             | 170.6                     | 6.1               | 241.5                | 16-18             | 81.3                | 65.6             | 90.8                 |
| 176.0           | 153.5             | 196.6                     | 6.1               | 267.5                | 18-20             | 81.3                | 65.6             | 90.8                 |

### 2016 ISUZU N-SERIES DIESEL WARRANTY COVERAGE AT A GLANCE

| Vehicle Coverage                          | Warranty Limitations (Time or Mileage, Whichever Comes First)* |                | Percentage Of Dealer's Normal Charge Paid By Owner |           |
|---|--|----------------|--|-----------|
|   | Time in years*   | Vehicle miles* | Parts  | Labor     |
| Basic                                     | 0-3 Years  | Unlimited      | No Charge  | No Charge |
| Engine                                    | 0-3 Years  | Unlimited      | No Charge  | No Charge |
| • Transmission                            | 0-3 Years  | Unlimited      | No Charge  | No Charge |
| • Drive Axle                              |  |                |  |           |
| • Driveshaft                              |  |                |  |           |
| • Front Axle I-Beam                       |  |                |  |           |
| • Crossmembers                            |  |                |  |           |
| • Flywheel Housing                        |  |                |  |           |
| • Clutch Housing                          |  |                |  |           |
| Frame Rails                               | 0-3 Years  | Unlimited      | No Charge  | No Charge |
| Engine Emissions Control System - Federal | 3-5 Years  | Unlimited      | 50%  | 50%       |
|   | 0-5 Years  | 0-100,000      | No Charge  | No Charge |
| Tires                                     | 0-2 Years  | 0-24,000       | No Charge  | No Charge |
| Corrosion (Rust Through)                  | 0-4 Years  | Unlimited      | No Charge  | No Charge |

\* The warranty coverages are determined by the mileage of the vehicle and the number of years from the delivery date. See your authorized Isuzu dealer for warranty details.

