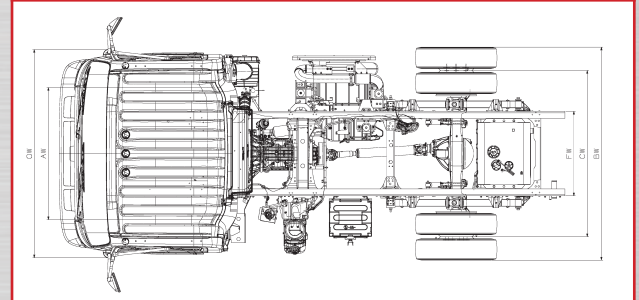
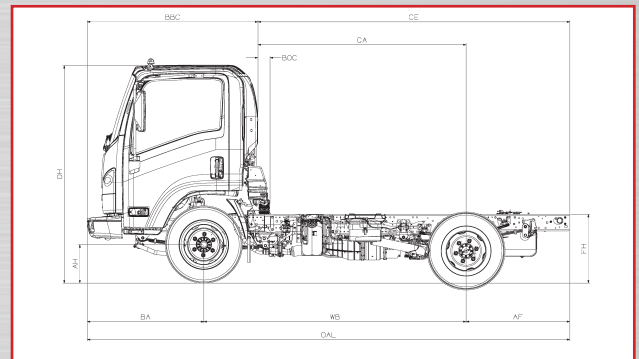


ISUZU NPR HD

STANDARD CAB

GVWR/GCWR	14,500/20,500 lbs.
BODY/PAYLOAD ALLOWANCE	8,339-8,536 lbs.
GAWR	
Front	5,360 lbs.
Rear	9,880 lbs.
FRONT AXLE CAPACITY	6,830 lbs.
REAR AXLE CAPACITY	11,020 lbs.
Ratio	4.555
SUSPENSION F/R SPRINGS	Tapered/Multi-Leaf
Capacity	6,830/9,880 lbs.
FRAME	
Section Modulus	7.20 in. ³
Resistance Bending Moment	316,800 lb.-ft./in.
SERVICE BRAKES	Vacuum/Hydraulic with
Front/Rear	4-Channel ABS Disc/Drum
EXHAUST BRAKE	Standard
TRANSMISSION	Aisin A465 6-speed auto. with double overdrive and lock-up 2 nd -6 th gears
ENGINE	Isuzu 4HK1-TC turbocharged intercooled diesel
Displacement	5.2L (317 in. ³)
Engine Power	215hp @ 2,500 rpm
Engine Torque	452 lb.-ft. @ 1,850 rpm
Oil Level Indicator	Dash-mounted oil level check switch and light
LIMITED SLIP DIFFERENTIAL	Optional
ALTERNATOR	140-amp
BATTERIES	2 Maintenance-Free 750-CCA
TIRES LRR (Low Rolling Resistance)	215/85R16E (10-pr) Standard
STEERING	Integral Hydraulic Power
STEERING COLUMN	Tilt and Telescopic
FUEL TANK	
Standard	30 Gal. in-rail
Optional	33 Gal. side mount (176" WB Only)
FUEL/WATER SEPARATOR	Dual fuel filter with dash mounted indicator light



Wheelbase (in.)	Cab to Axle (in.)	Cab to End of Frame (in.)	Back of Cab (in.)	Overall Length (in.)	Body Length (in.)	Overall Width (in.)	Axle Width (in.)	Overall Height (in.)
109.0	86.5	129.6	7.7	200.5	10-12	81.3	65.6	90.8
132.5	110.0	153.1	7.7	224.0	14	81.3	65.6	90.8
150.0	127.5	170.6	10.2	241.5	16-18	81.3	65.6	90.8
176.0	153.5	196.6	10.2	267.5	18-20	81.3	65.6	90.8

2016 ISUZU N-SERIES DIESEL WARRANTY COVERAGE AT A GLANCE

Vehicle Coverage	Warranty Limitations (Time or Mileage, Whichever Comes First)*		Percentage Of Dealer's Normal Charge Paid By Owner	
	Time in years*	Vehicle miles*	Parts	Labor
Basic	0-3 Years	Unlimited	No Charge	No Charge
Engine	0-3 Years	Unlimited	No Charge	No Charge
• Transmission • Drive Axle • Driveshaft • Front Axle I-Beam • Crossmembers • Flywheel Housing • Clutch Housing	0-3 Years	Unlimited	No Charge	No Charge
Frame Rails	0-3 Years 3-5 Years	Unlimited Unlimited	No Charge 50%	No Charge 50%
Engine Emissions Control System - Federal	0-5 Years	0-100,000	No Charge	No Charge
Tires	0-2 Years	0-24,000	No Charge	No Charge
Corrosion (Rust Through)	0-4 Years	Unlimited	No Charge	No Charge

* The warranty coverages are determined by the mileage of the vehicle and the number of years from the delivery date. See your authorized Isuzu dealer for warranty details.

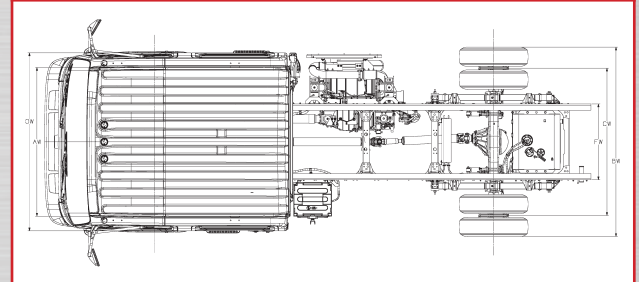
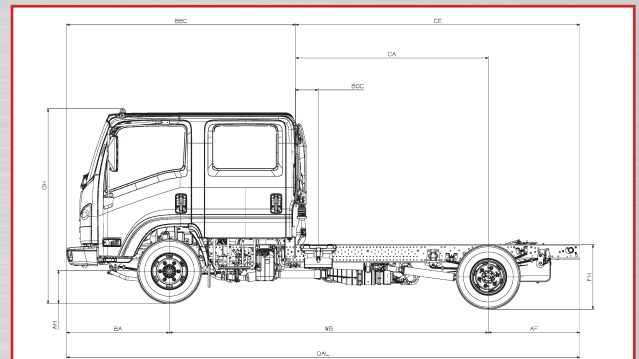


All photographs, illustrations, equipment and technical data in this brochure are based on the latest information available at the time of publication. Isuzu Commercial Truck of America, Inc. reserves the right to make changes at any time, without notice, in prices, colors, materials, equipment, specifications and models, and to discontinue models or equipment. Isuzu vehicles are assembled from component parts manufactured by Isuzu Motors Limited, its affiliated companies, and by independent suppliers who manufacture such components to Isuzu's exacting standards for quality, performance and safety. Some vehicles are shown with optional equipment. Some equipment is dealer installed. Visit your authorized Isuzu dealer for warranty and other details.

ISUZU NPR HD

CREW CAB

GVWR/GCWR	14,500/20,500 lbs.
BODY/PAYLOAD ALLOWANCE	7,766-7,832 lbs.
GAWR	
Front	5,360 lbs.
Rear	9,880 lbs.
FRONT AXLE CAPACITY	6,830 lbs.
REAR AXLE CAPACITY	11,020 lbs.
Ratio	4.555
SUSPENSION F/R SPRINGS	Tapered/Multi-Leaf
Capacity	6,830/9,880 lbs.
FRAME	
Section Modulus	11.89 in. ³
Resistance Bending Moment	523,160 lb.-ft./in.
SERVICE BRAKES	Vacuum/Hydraulic with
Front/Rear	4-Channel ABS Disc/Drum
EXHAUST BRAKE	Standard
TRANSMISSION	Aisin A465 6-speed auto.
	with double overdrive
	and lock-up 2 nd -6 th gears
ENGINE	Isuzu 4HK1-TC turbocharged
	intercooled diesel
Displacement	5.2L (317 in. ³)
Engine Power	215hp @ 2,500 rpm
Engine Torque	452 lb.-ft. @ 1,850 rpm
Oil Level Indicator	Dash-mounted oil level
	check switch and light
LIMITED SLIP DIFFERENTIAL	Optional
ALTERNATOR	140-amp
BATTERIES	2 Maintenance-Free
	750-CCA
TIRES LRR (Low Rolling Resistance)	215/85R16E (10-pr) Standard
STEERING	Integral Hydraulic Power
STEERING COLUMN	Tilt and Telescopic
FUEL TANK	
Standard	30 Gal. in-rail
FUEL/WATER SEPARATOR	Dual fuel filter with dash
	mounted indicator light



Wheelbase (in.)	Cab to Axle (in.)	Cab to End of Frame (in.)	Back of Cab (in.)	Overall Length (in.)	Body Length (in.)	Overall Width (in.)	Axle Width (in.)	Overall Height (in.)
150.0	88.5	131.6	5.3	241.5	12	81.3	65.6	90.8
176.0	114.5	157.6	5.3	267.5	16	81.3	65.6	90.8

2016 ISUZU N-SERIES DIESEL WARRANTY COVERAGE AT A GLANCE

Vehicle Coverage	Warranty Limitations (Time or Mileage, Whichever Comes First)*		Percentage Of Dealer's Normal Charge Paid By Owner	
	Time in years*	Vehicle miles*	Parts	Labor
Basic	0-3 Years	Unlimited	No Charge	No Charge
Engine	0-3 Years	Unlimited	No Charge	No Charge
• Transmission • Drive Axle • Driveshaft • Front Axle I-Beam • Crossmembers • Flywheel Housing • Clutch Housing	0-3 Years	Unlimited	No Charge	No Charge
Frame Rails	0-3 Years 3-5 Years	Unlimited Unlimited	No Charge 50%	No Charge 50%
Engine Emissions Control System - Federal	0-5 Years	0-100,000	No Charge	No Charge
Tires	0-2 Years	0-24,000	No Charge	No Charge
Corrosion (Rust Through)	0-4 Years	Unlimited	No Charge	No Charge

* The warranty coverages are determined by the mileage of the vehicle and the number of years from the delivery date. See your authorized Isuzu dealer for warranty details.

