



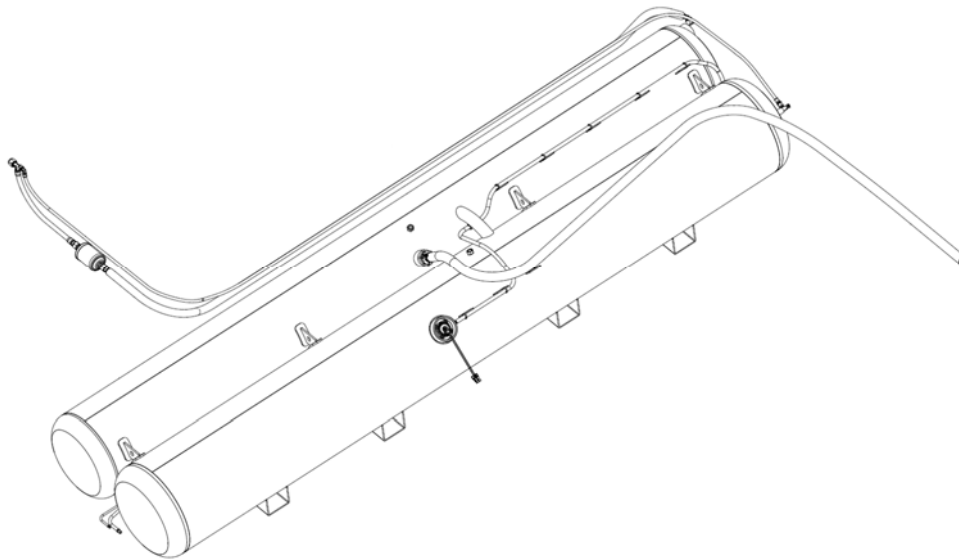
# Extended Range Propane Tank and Kit

# UPDATE

Models affected: Certain 2014 Model Year Ford 6.8L Propane Vision Buses.

Blue Bird now has available the Extended Range Propane Tank and Kit (feature 40246-03) which can be used to replace the standard propane tank (feature 40246-02) on Ford 6.8L Propane Visions only. See chart below for tank and kit part numbers. Work instructions (BB Document # 10035348) detailing the procedure on how to replace the propane tank, the fuel tank barriers, and all associated components parts are included with the kits.

**NOTE:** The Extended Range Propane Tank (BB# 10031465) is not included in the kits and must be ordered from Blue Bird separately.



Note: Allow a minimum of 45 days lead time from date parts order is placed.

<b>Extended Range Propane Tank</b>	
Part Number	Description
10031465	Kit,Propane,Ext Tank W/Int Comp,Ext Range Roush,CV

<b>Available Extended Range Propane Tank Replacement Kits</b>		
Wheelbase / Body Model *	Part Number	Description
273 / 3310	10034513	Kit,Service,Ext Range Propane Tank,273/3310
273 / 3303	10034514	Kit,Service,Ext Range Propane Tank,273/3303,280/3310
280 / 3310		
280 / 3507	10034515	Kit,Service,Ext Range Propane Tank,280/3507

**\*NOTE:** The Extended Range Propane Tank is not compatible with any other wheelbase, body model, or engine combination.

S U I 3 I 3  
S E R V I C E U P D A T E