



# **CAMRY**

*Gasoline-Electric*

*Hybrid Synergy Drive*

## ***HYBRID VEHICLE DISMANTLING MANUAL***



## Foreword

In March 2006, Toyota released the Toyota CAMRY gasoline-electric hybrid vehicle in North America. Except where noted in this guide, basic vehicle systems and features for the CAMRY hybrid are the same as those on the conventional, non-hybrid, Toyota CAMRY. To educate and assist emergency responders in the safe handling of the CAMRY hybrid technology, Toyota published this CAMRY hybrid Emergency Response Guide.

High voltage electricity powers the electric motor, generator, A/C compressor, and inverter/converter. All other automotive electrical devices such as the headlights, power steering, horn, radio, and gauges are powered from a separate 12 Volts battery. Numerous safeguards have been designed into the CAMRY to help ensure the high voltage, approximately 245 Volts, Nickel Metal Hydride (NiMH) Hybrid Vehicle (HV) battery pack is kept safe and secure in an accident.

Additional topics contained in the guide include:

- Toyota CAMRY identification.
- Major hybrid component locations and descriptions.

By following the information in this guide, dismantlers will be able to handle the CAMRY hybrid-electric vehicle as safely as the dismantling of a conventional gasoline engine automobile.

© 2006 Toyota Motor Corporation

All rights reserved. This book may not be reproduced or copied, in whole or in part, without the written permission of Toyota Motor Corporation

# Table of Contents

<b><u>About the CAMRY</u></b> .....	<b><u>1</u></b>
<b><u>CAMRY Identification</u></b> .....	<b><u>2</u></b>
<u>Exterior</u> .....	<u>3</u>
<b><u>CAMRY Identification (Continued)</u></b> .....	<b><u>4</u></b>
<u>Interior</u> .....	<u>4</u>
<u>Engine Compartment</u> .....	<u>5</u>
<b><u>Hybrid Component Locations &amp; Descriptions</u></b> .....	<b><u>6</u></b>
<u>Specifications</u> .....	<u>7</u>
<b><u>Hybrid Synergy Drive Operation</u></b> .....	<b><u>8</u></b>
<u>Vehicle Operation</u> .....	<u>8</u>
<b><u>Hybrid Vehicle (HV) Battery Pack and Auxiliary Battery</u></b> .....	<b><u>9</u></b>
<u>Components to Which High Voltage is Applied</u> .....	<u>9</u>
<u>HV Battery Pack Recycling</u> .....	<u>10</u>
<b><u>High Voltage Safety</u></b> .....	<b><u>11</u></b>
<u>Service Plug</u> .....	<u>12</u>
<b><u>Precaution to be observed when dismantling the vehicle</u></b> .....	<b><u>13</u></b>
<u>Necessary items</u> .....	<u>13</u>
<b><u>Spillage</u></b> .....	<b><u>14</u></b>
<b><u>Dismantling a vehicle</u></b> .....	<b><u>15</u></b>
<b><u>Removal of HV battery</u></b> .....	<b><u>18</u></b>
<u>HV battery removal</u> .....	<u>18</u>
<u>HV Battery Caution Label</u> .....	<u>30</u>

## About the CAMRY

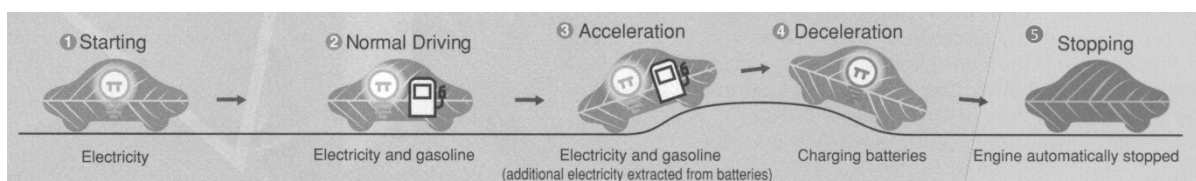
The CAMRY hybrid sedan joins the PRIUS and HIGHLANDER hybrid as a hybrid model for Toyota. *Hybrid Synergy Drive* means that the vehicle contains a gasoline engine and an electric motor for power. The two hybrid power sources are stored on board the vehicle:

1. Gasoline stored in the fuel tank for the gasoline engine.
2. Electricity stored in a high voltage Hybrid Vehicle (HV) battery pack for the electric motor.

The result of combining these two power sources is improved fuel economy and reduced emissions. The gasoline engine also powers an electric generator to recharge the battery pack; unlike a pure all electric vehicle, the CAMRY hybrid never needs to be recharged from an external electric power source.

Depending on the driving conditions, one or both sources are used to power the vehicle. The following illustration demonstrates how the CAMRY hybrid operates in various driving modes.

- ❶ During light acceleration at low speeds, the vehicle is powered by the electric motor. The gasoline engine is shut off.
- ❷ During normal driving, the vehicle is powered mainly by the gasoline engine. The gasoline engine also powers the generator to recharge the battery pack.
- ❸ During full acceleration, such as climbing a hill, both the gasoline engine and the electric motor power the vehicle.
- ❹ During deceleration, such as when braking, the vehicle regenerates the kinetic energy from the front wheels to produce electricity that recharges the battery pack.
- ❺ While the vehicle is stopped, the gasoline engine and electric motor are off, however the vehicle remains on and operational.



## CAMRY Identification

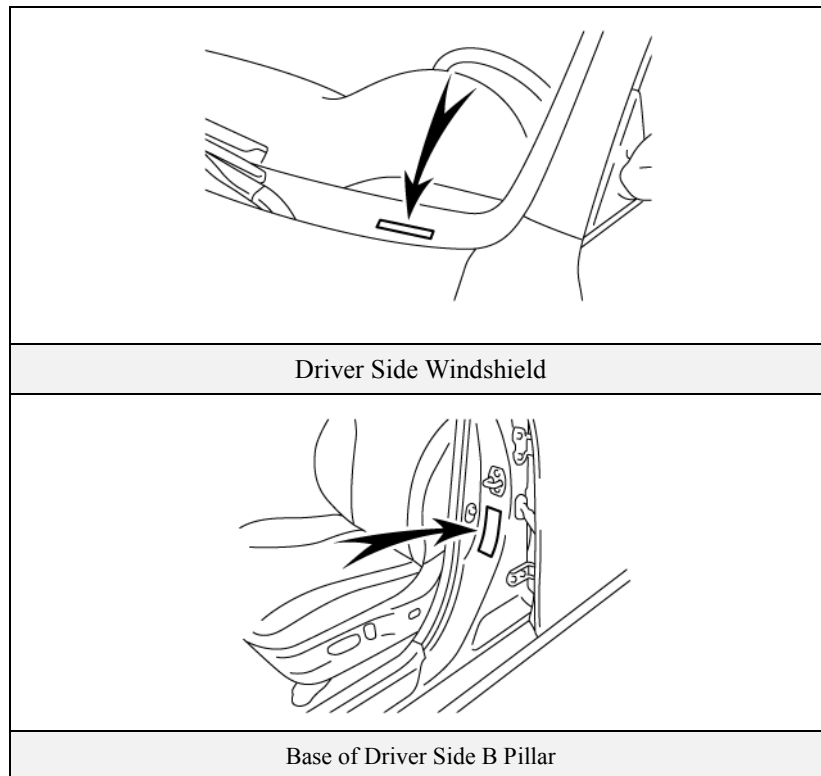
In appearance, the 2007 CAMRY hybrid is nearly identical to the conventional, non-hybrid Toyota CAMRY. The CAMRY hybrid is a 4-door sedan. Exterior, interior, and engine compartment illustrations are provided to assist in identification.

The alphanumeric 17 character Vehicle Identification Number (VIN) is provided in the front windshield cowl and driver door pillar.

Example VIN:     JTNBB46S730020208  
                      4T1BB46S7U0031258

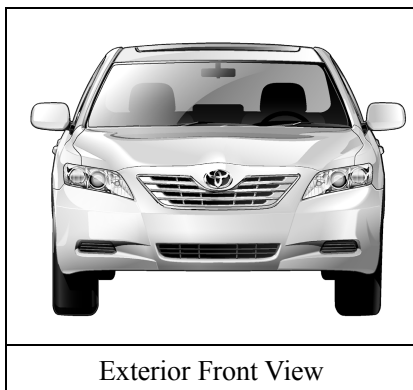
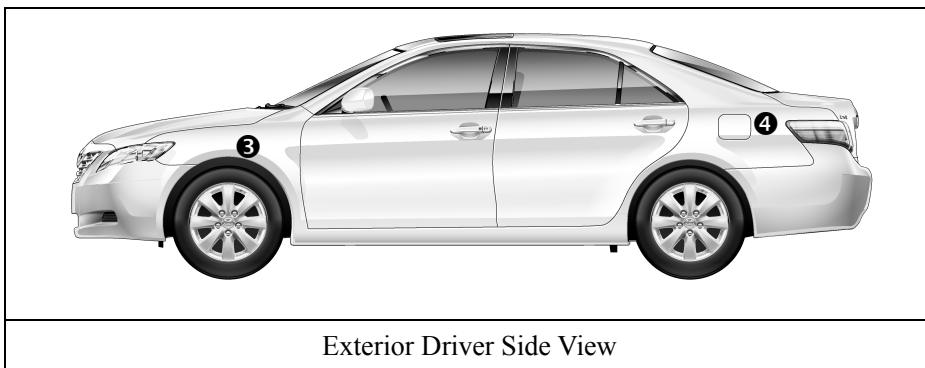
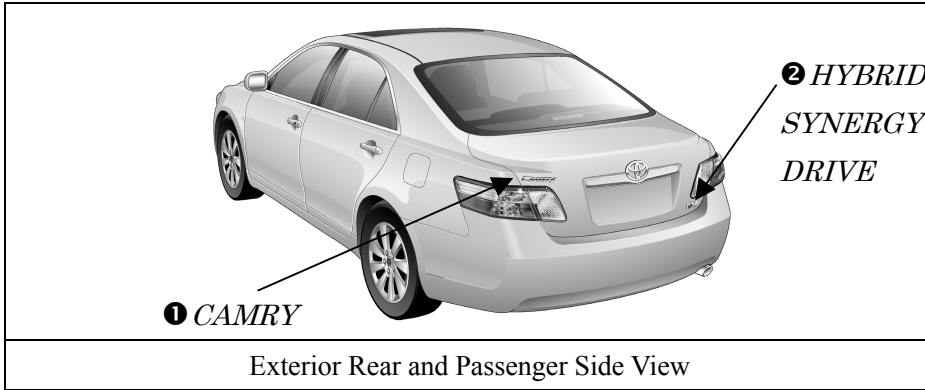
A CAMRY hybrid is identified by the first 6 alphanumeric characters

**JTNBB4** and **4T1BB4**



Exterior

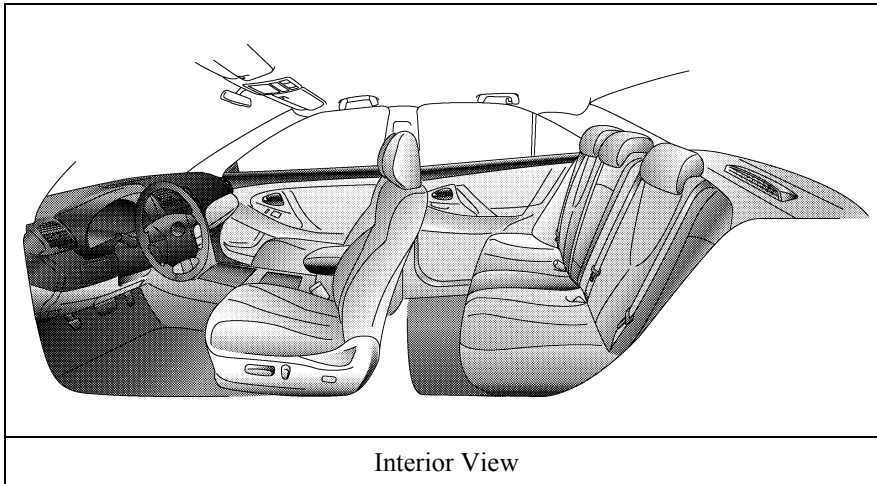
- ❶ *CAMRY* logo on the trunk door.
- ❷ *HYBRID SYNERGY DRIVE* logo on the trunk lid.
- ❸ *HYBRID* logo on each front fender.
- ❹ Gasoline fuel filler door located on the driver side rear quarter panel.



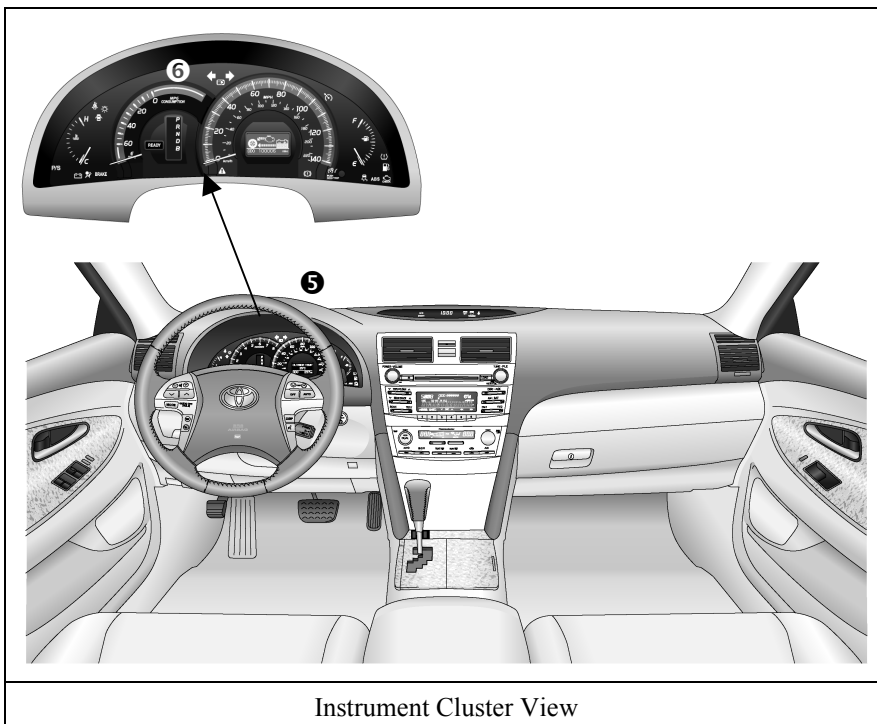
## CAMRY Identification (Continued)

### Interior

- ⑤ The instrument cluster (speedometer, fuel gauge, and warning lights) located in the dash behind the steering wheel, is different than the one on the conventional, non-hybrid CAMRY.
- ⑥ In place of a tachometer, a fuel meter showing miles per gallon (mpg) consumption is used. A multi-information display showing energy flow is provided in the center of the speedometer.



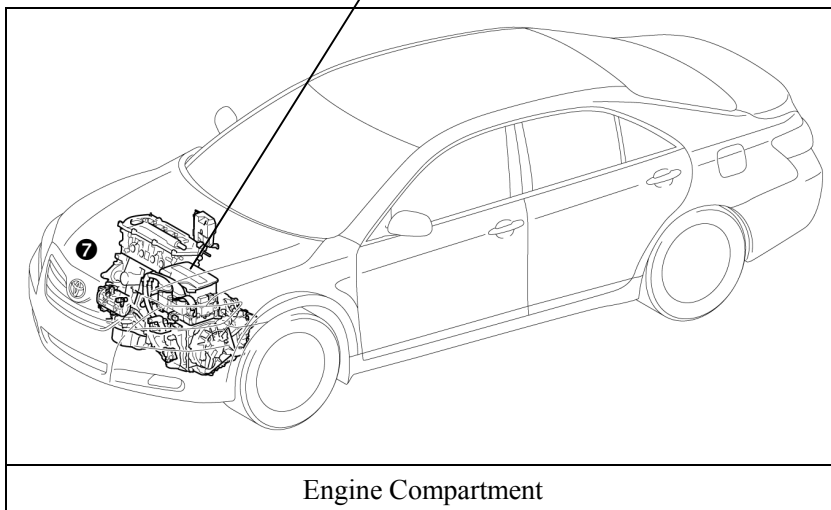
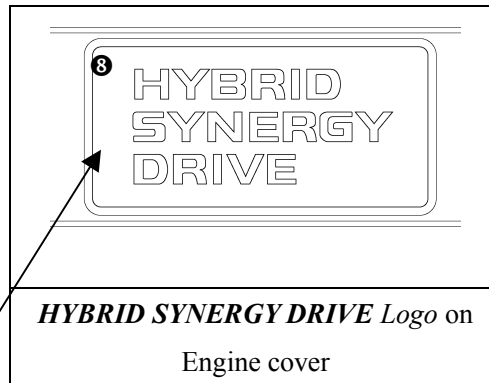
Interior View



Instrument Cluster View

Engine Compartment

- ⑦ 2.4-liter aluminum alloy gasoline engine.
- ⑧ High voltage inverter/converter assembly with logos on the cover.



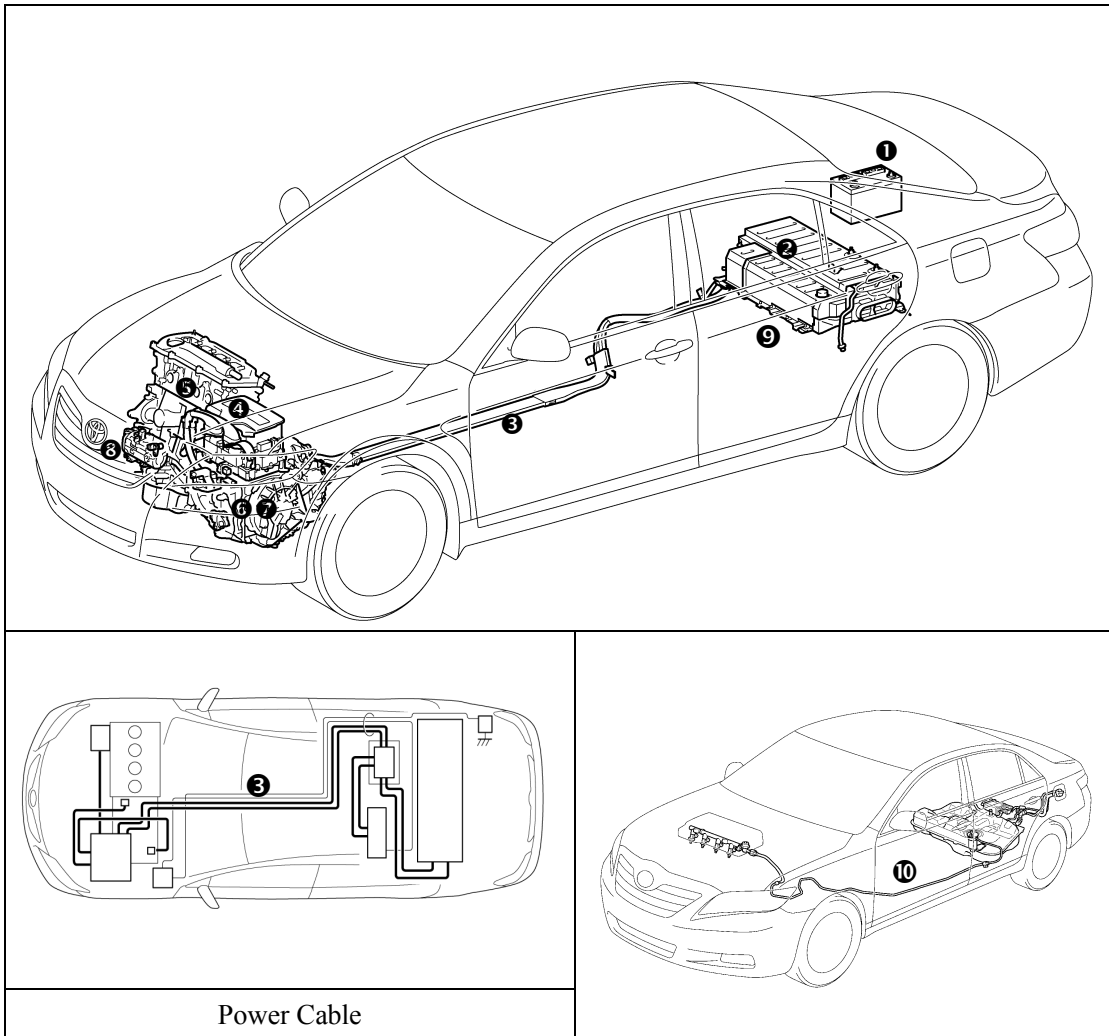


## Hybrid Component Locations & Descriptions

Component	Location	Description
12 Volts Auxiliary Battery ❶	Trunk	A lead-acid battery that supplies power to the low voltage devices.
Hybrid Vehicle (HV) Battery Pack ❷	Trunk Area, Mounted to Cross Member and behind Rear Seat	244.8 Volts Nickel Metal Hydride (NiMH) battery pack consisting of 34 low voltage (7.2 Volts) modules connected in series.
Power Cables ❸	Under Carriage and Engine Compartment	Orange colored power supply cables carry high voltage Direct Current (DC) between the HV battery pack, inverter/converter, and A/C compressor. These cables also carry 3-phase Alternating Current (AC) between the inverter/converter, electrical motor, and generator.
Inverter/Converter ❹	Engine Compartment	Boosts and inverts the high voltage electricity from the HV battery pack to 3-phase AC electricity that drives the electric motor. The inverter/converter also converts AC electricity from the electric generator and electric motor (regenerative braking) to DC that recharges the HV battery pack.
Gasoline Engine ❺	Engine Compartment	Provides two functions: 1) Powers vehicle. 2) Powers generator to recharge the HV battery pack. The engine is started and stopped under control of the vehicle computer.
Electric Generator ❻	Transaxle	3-phase high voltage AC generator that is contained in the transaxle and recharges the HV battery pack.
Electric Motor ❼	Transaxle	3-phase high voltage AC permanent magnet electric motor contained in the transaxle. Used to power the front wheels.
A/C Compressor ❸	Engine Compartment	3-phase high voltage AC electrically driven motor compressor.
12 Volts DC-DC Converter ❾	Inside HV Battery Pack Assembly in Trunk	Converts 244.8 Volts DC from the HV battery pack to 12 Volts DC for low voltage vehicle power.
Fuel Tank and Fuel Line ❿	Undercarriage, Driver Side	The fuel tank provides gasoline via single fuel line to the engine. The fuel line is routed along the driver side under the floor pan.

Specifications

- Gasoline Engine: 147 hp (110 KW), 2.4-liter Aluminum Alloy Engine
- Electric Motor: 141 hp (105 KW), Permanent Magnet Motor
- Transmission: Automatic Only
- HV Battery: 244.8 Volts Sealed NiMH Battery Pack
- Curb Weight: 3,638 lbs / 1,650 kg
- Fuel Tank: 17.2 gals / 65 liters
- Fuel Economy: 40.0 / 38.0 (City/Hwy) miles/gal
- Liters/100 km: 5.9 / 6.3 (City/Hwy) liters/100 km
- Frame Material: Steel Unibody
- Body Material: Steel Panels



Power Cable

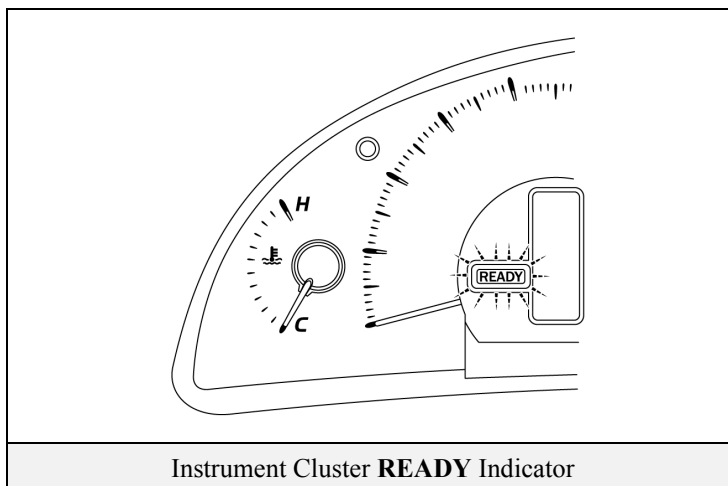
## Hybrid Synergy Drive Operation

Once the **READY** indicator is illuminated in the instrument cluster, the vehicle may be driven. However, the gasoline engine does not idle like a typical automobile and will start and stop automatically. It is important to recognize and understand the **READY** indicator provided in the instrument cluster. When lit, it informs the driver that the vehicle is on and operational even though the gasoline engine may be off and the engine compartment is silent.

### Vehicle Operation

- With the CAMRY hybrid, the gasoline engine may stop and start at any time while the **READY** indicator is on.
- Never assume that the vehicle is shut off just because the engine is off. Always look for the **READY** indicator status. The vehicle is shut off when the **READY** indicator is off.
- The vehicle may be powered by:
  1. The electric motor only.
  2. The gasoline engine only.
  3. A combination of both the electric motor and the gasoline engine.

The vehicle computer determines the mode in which the vehicle operates to improve fuel economy and reduce emissions. The driver cannot manually select the mode.



## Hybrid Vehicle (HV) Battery Pack and Auxiliary Battery

The CAMRY hybrid contains a high voltage, Hybrid Vehicle (HV) battery pack that contains sealed Nickel Metal Hydride (NiMH) battery modules.

### HV Battery Pack

- The HV battery pack is enclosed in a metal case and is securely mounted in the trunk area behind the rear seat. The metal case is isolated from high voltage and concealed by fabric covers.
- The HV battery pack consists of 34 low voltage (7.2 Volts) NiMH battery modules connected in series to produce approximately 244.8 Volts. Each NiMH battery module is non-spillable and sealed in a plastic case.
- The electrolyte used in the NiMH battery module is an alkaline mixture of potassium and sodium hydroxide. The electrolyte is absorbed into the battery cell plates and forms a gel that will not normally leak, even in a collision.

In the unlikely event that the battery pack is overcharged, the modules vent gases directly outside the vehicle through a vent hose.

HV Battery Pack	
Battery pack voltage	244.8 V
Number of NiMH battery modules in the pack	34
NiMH battery module voltage	7.2 V
NiMH battery module dimensions	5 x 1 x 11 in. (118 x 20 x 276 mm)
NiMH module weight	2.3 lbs (1.0 kg)
NiMH battery Pack dimensions	8 x 34 x 19 in. (190 x 850 x 495 mm)
NiMH battery Pack weight	114.6 lbs (52 kg)

### Components to Which High Voltage is Applied

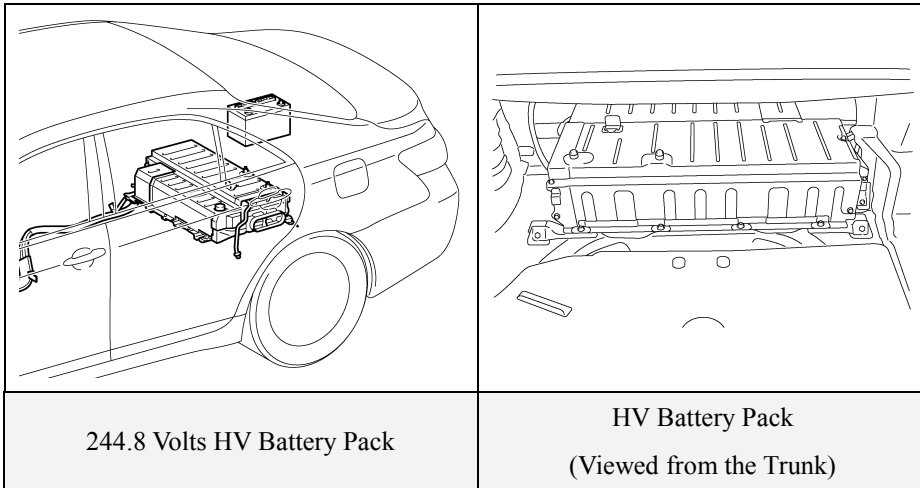
- Electric Motor
- Inverter/Converter
- A/C Compressor
- Power Cables
- DC-DC Converter
- Electric Generator

HV Battery Pack Recycling

- The HV battery pack is recyclable. Contact the nearest Toyota dealer, or:

United States: (800) 331-4331

Canada: (888) 869-6828



## High Voltage Safety

The HV battery pack powers the high voltage electrical system with DC electricity. Positive and negative orange colored high voltage power cables are routed from the battery pack, under the vehicle floor pan to the engine compartment, and connected to the inverter/converter. The inverter/converter contains a circuit that boosts the HV battery voltage from 244.8 up to 650 Volts DC. The inverter creates 3-phase AC to power the motor and generator located in the transaxle. Power cables are routed from the inverter to each high voltage motor (electric motor, electric generator, and A/C compressor). The following systems are intended to help occupants in the vehicle and emergency responders safe from high voltage electricity.


### High Voltage Safety System

- A high voltage fuse ❶ provides short circuit protection in the HV battery pack.
- Positive and negative high voltage power cables ❷ connected to the HV battery pack are controlled by 12 Volt normally open relays ❸. When the vehicle is shut off, the relays stop electrical flow from leaving the HV battery pack.



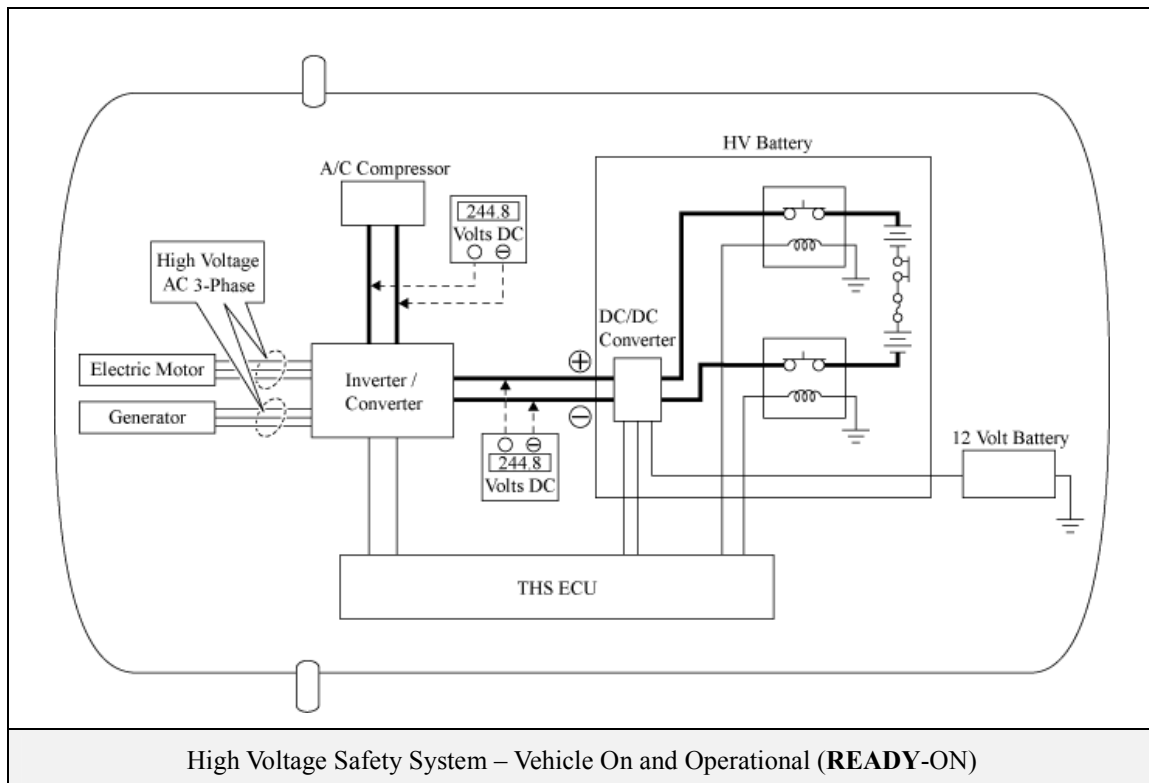
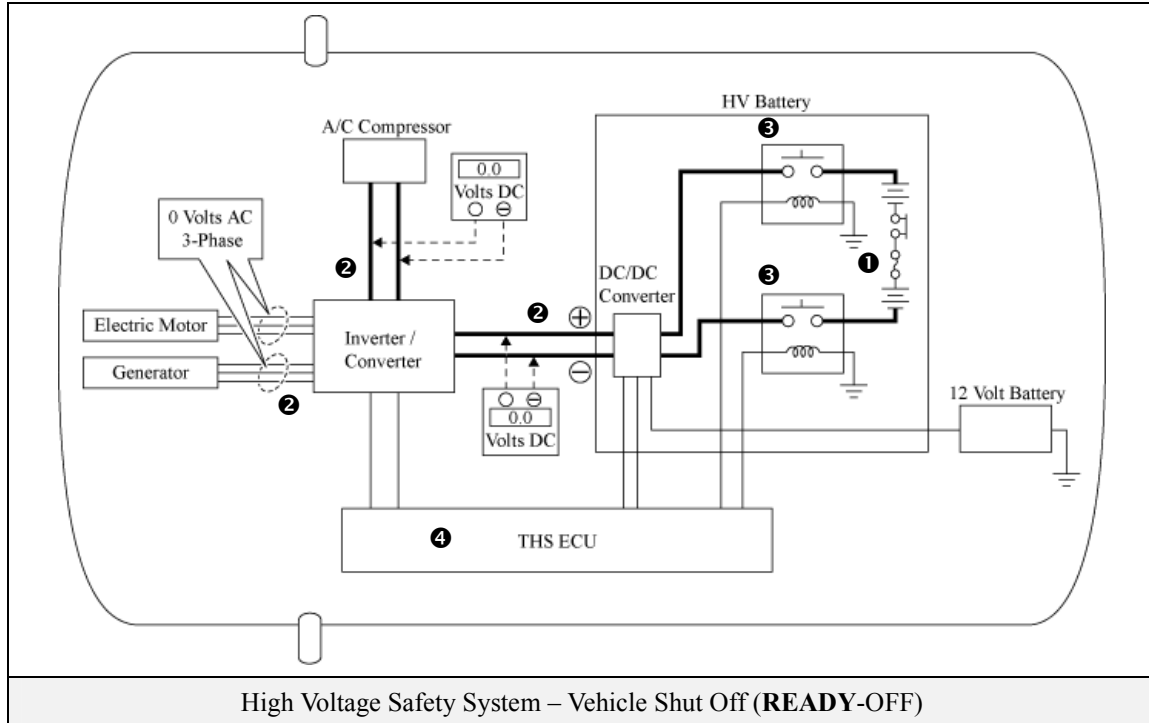
#### **WARNING:**

*The high voltage system may remain powered for up to 10 minutes after the vehicle is shut off or disabled. To prevent serious injury or death from severe burns or electric shock, avoid touching, cutting, or opening any orange high voltage power cable or high voltage component.*

- Both positive and negative power cables ❷ are insulated from the metal chassis, so there is no possibility of electric shock when touching the metal chassis.
- A ground fault monitor ❹ continuously monitors for high voltage leakage to the metal chassis while the vehicle is running. If a malfunction is detected, the hybrid vehicle computer ❹ will illuminate the master warning light  in the instrument cluster and indicate “CHECK HYBRID SYSTEM” on the multi-information display.
- The HV battery pack relays will automatically open to stop the electrical flow in a collision sufficient to activate the SRS.

Service Plug

- The high-voltage circuit is cut by removing service plug (See page 15).



## Precaution to be observed when dismantling the vehicle



### **WARNING:**

- *The high voltage system may remain powered for up to 10 minutes after the vehicle is shut off or disabled. To prevent serious injury or death from severe burns or electric shock, avoid touching, cutting, or opening any orange high voltage power cable or high voltage component.*

### Necessary items

- Protective clothing (insulated gloves, rubber gloves, safety goggles, and safety shoes).
- Vinyl tape for insulation.
- Before wearing insulated the vehicle gloves, make sure that they are not cracked, ruptured, torn, or damaged in any other way. Do not wear wet insulated gloves.



## Spillage

The CAMRY contains the same common automotive fluids used in other non-hybrid Toyota vehicles, with the exception of NiMH electrolyte used in the HV battery pack. The NiMH battery electrolyte is a caustic alkaline (pH 13.5) that is damaging to human tissues. The electrolyte, however, is absorbed in the cell plates and will not normally spill or leak out even if a battery module is cracked. A catastrophic crash that would breach both the metal battery pack case and the plastic battery module would be a rare occurrence.

Similar to the use of baking soda to neutralize a lead-acid battery electrolyte spill, a dilute boric acid solution or vinegar can be used to neutralize a NiMH battery electrolyte spill.

In an emergency, Toyota Material Safety Data Sheets (MSDS) are available by contacting:

- Handle NiMH electrolyte Spills Using The following Personal Protective Equipment (PPE):
  - Splash shield or safety goggles. Folding down helmet shields is not acceptable for alkaline spillage.
  - Rubber, latex or Nitrile gloves.
  - Apron suitable for alkaline.
  - Rubber boots.
- Neutralize NiMH Electrolyte
  - Use a boric acid solution or vinegar.
  - Boric acid solution - 800 grams boric acid to 20 liters water or 5.5 ounces boric acid to 1 gallon of water.

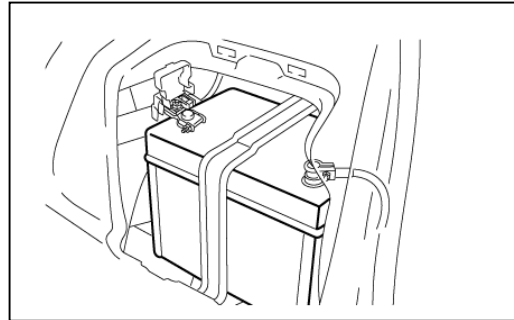
## Dismantling a vehicle



### WARNING:

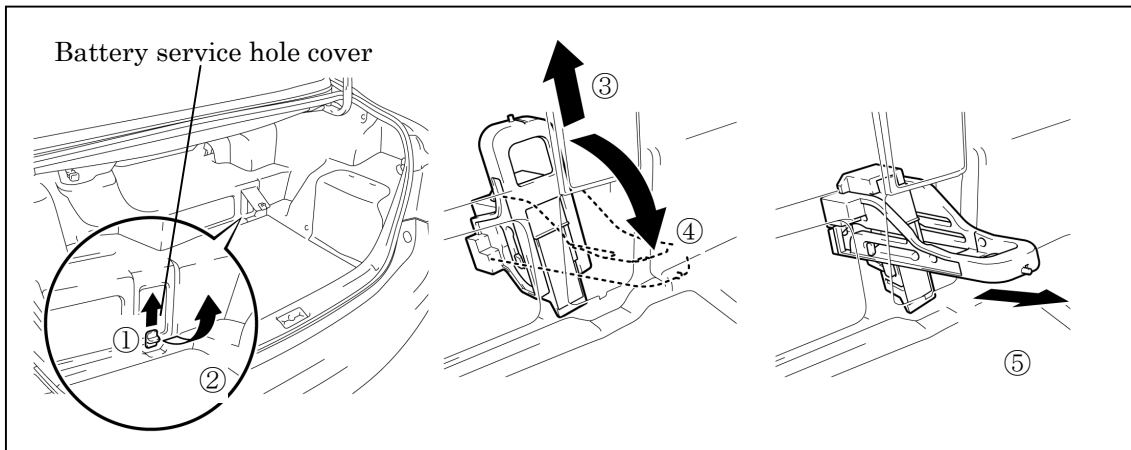
- *The high voltage system may remain powered for up to 10 minutes after the vehicle is shut off or disabled. To prevent serious injury or death from severe burns or electric shock, avoid touching, cutting, or opening any orange high voltage power cable or any high voltage component.*

1. Shut off ignition. Then disconnect the negative (-) terminal of the auxiliary battery.

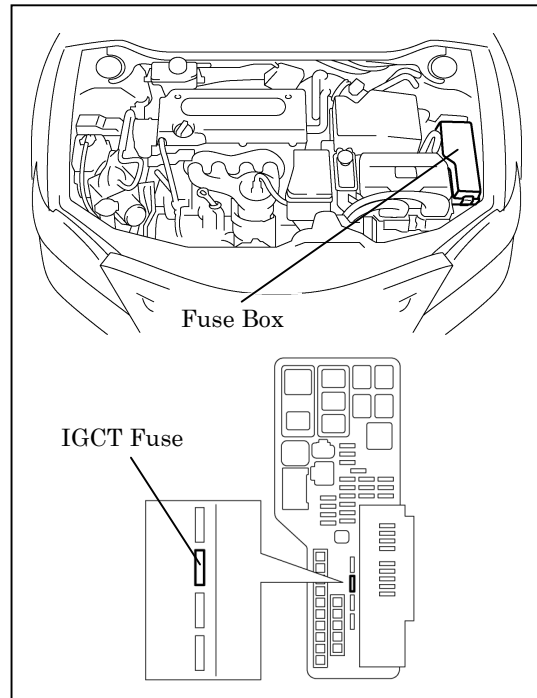


2. Remove the service plug grip.

- a) Wear insulated gloves and raise the service plug grip as shown in the illustration. Then, remove the service plug grip.
- b) Apply electrical tape to the socket of the service plug grip to insulate it.

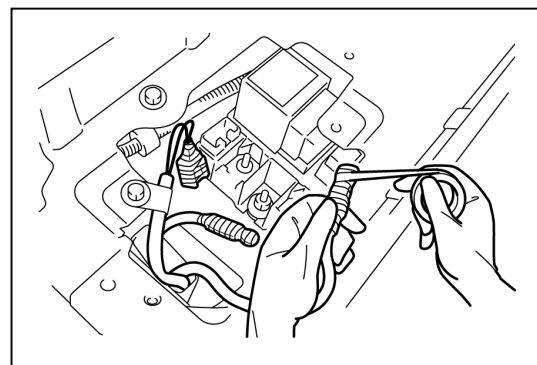


3. Carry the removed service plug in your pocket to prevent other staff from reinstalling it while you are dismantling the vehicle.
4. Make other staff aware that a high-voltage system is being dismantled by using the following sign: CAUTION: HIGH VOLTAGE. DO NOT TOUCH DURING OPERATION (see page 17).
5. If the service plug cannot be removed due to damage to the rear portion of the vehicle, remove the IGCT fuse (30A: Green colored).



**Caution:**  
 This operation shuts off the HV system. Be sure to wear insulated gloves because high voltage is not shut off inside the HV battery. When it is possible to remove the service plug, remove it and continue the procedure.

6. After disconnecting or exposing a high-voltage connector or terminal, insulate it immediately using insulation tape. Before touching a bare high-voltage terminal, wear insulated gloves.
7. Check the HV battery and nearby area for leakage. If you find any liquid, it may be strong alkaline electrolyte. Wear rubber gloves and goggles and neutralize the liquid using a saturated boric acid solution or vinegar. Then wipe up the liquid using waste rags etc.



- a) If the electrolyte adheres to your skin, wash the skin immediately using a saturated boric acid solution or a large amount of water. If the electrolyte adheres to any article of clothing, take the clothing off immediately.
- b) If the electrolyte comes into contact with your eye(s), call out loudly for help. Do not rub your eye(s). Instead, wash the eye(s) with a dilute boric acid solution or a large amount of water and seek medical care.
8. Remove the parts by following the procedures which are similar to the Toyota vehicles with exception of HV battery. As for the removal of HV battery, refer to the following pages.

Person in charge: \_\_\_\_\_

**CAUTION:  
HIGH VOLTAGE. DO  
NOT TOUCH DURING  
OPERATION**

**CAUTION:  
HIGH VOLTAGE. DO  
NOT TOUCH DURING  
OPERATION**

Person in charge: \_\_\_\_\_

Copy this page and put it after folding on the  
roof of the vehicle in service.

## Removal of HV battery

### HV battery removal



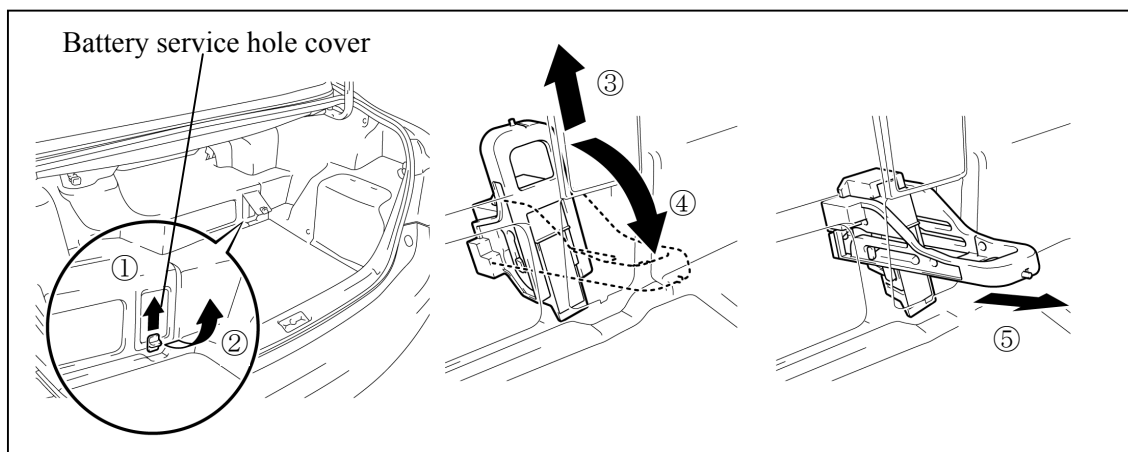
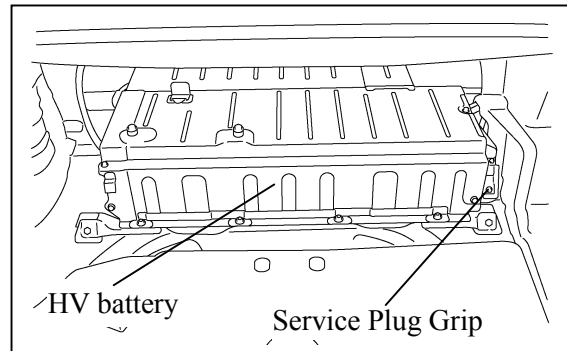
#### **WARNING:**

- *Be sure to wear insulated gloves when handling high-voltage parts.*
- *Even if the vehicle is shut off and the relay is off, be sure to remove the service plug grip before performing any steps.*
- *Power remains in the high voltage electrical system for 10 minutes even after the HV battery pack is shut off because the circuit has a condenser.*
- *Make sure that the tester reading is 0 V before touching any high-voltage terminals which are not insulated.*

1. Disconnect the cable from the auxiliary battery negative terminal.

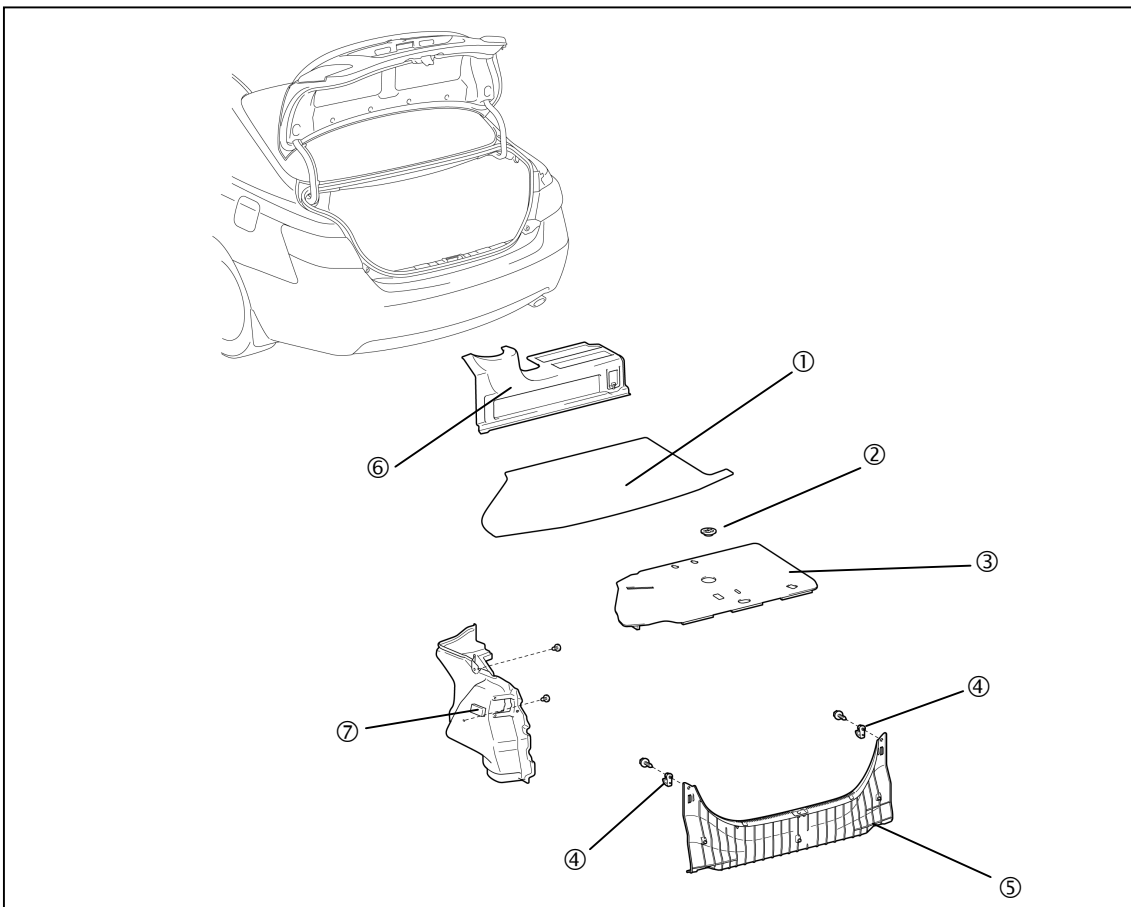
2. Remove the service plug grip.

- a) Remove the battery service hole cover.
- b) Wear insulated gloves and raise the service plug grip as shown in the illustration. Then, remove the service plug grip.
- c) Apply electrical tape to the socket of the service plug grip to insulate it.



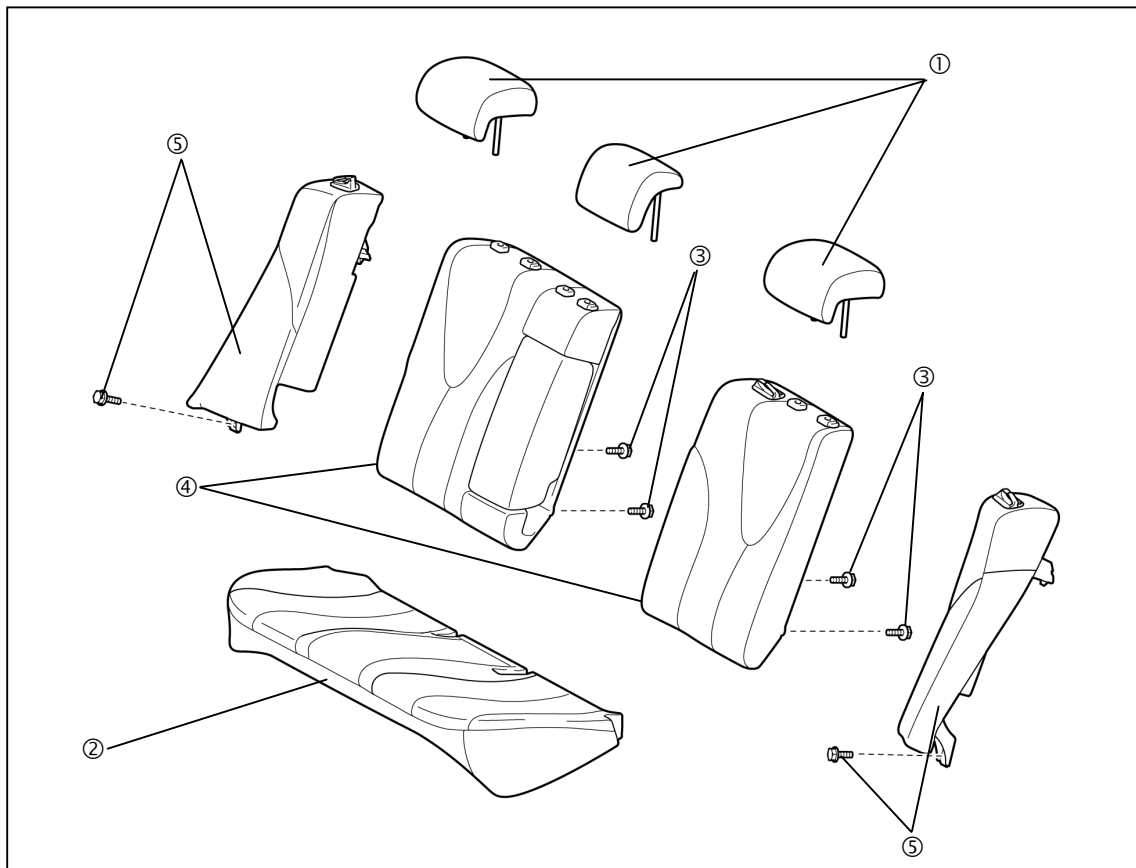
3. Remove the luggage compartment rear trim cover LH.

- ① Remove the luggage compartment floor mat.
- ② Remove the spare wheel cover clamp.
- ③ Remove the spare wheel cover assembly.
- ④ Remove the No. 1 luggage compartment trim hooks.
- ⑤ Remove the rear floor finish plate.
- ⑥ Remove the luggage compartment rear trim cover.
- ⑦ Remove the luggage compartment inner trim cover LH.



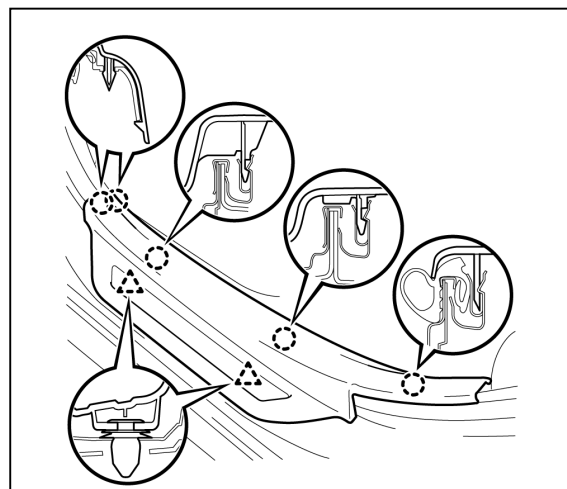
4. Remove the rear side seatback assemblies LH, center and RH.

- ① Remove the rear seat headrest assemblies.
- ② Remove the rear seat cushion assembly.
- ③ Remove the 4 bolts on the rear side of the seatback.
- ④ Remove the separate type rear seatbacks LH and RH.
- ⑤ Remove the 2 bolts and rear side seatback assemblies.

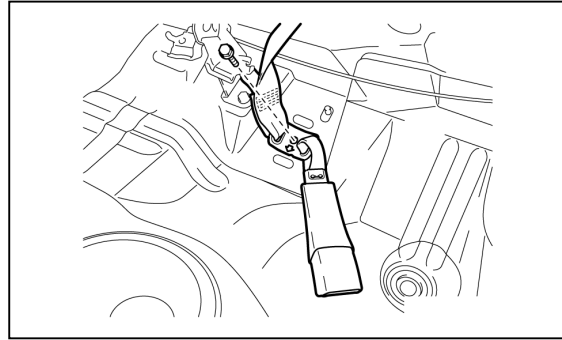


5. Remove the rear door scuff plates LH and RH.

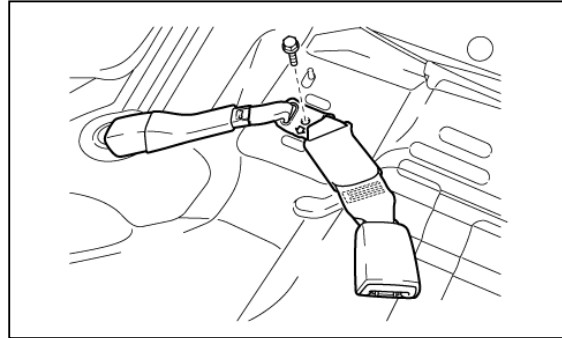
6. Remove the rear door opening trim weatherstrips LH and RH.



7. Disconnect the rear seat inner with center belt assembly LH.

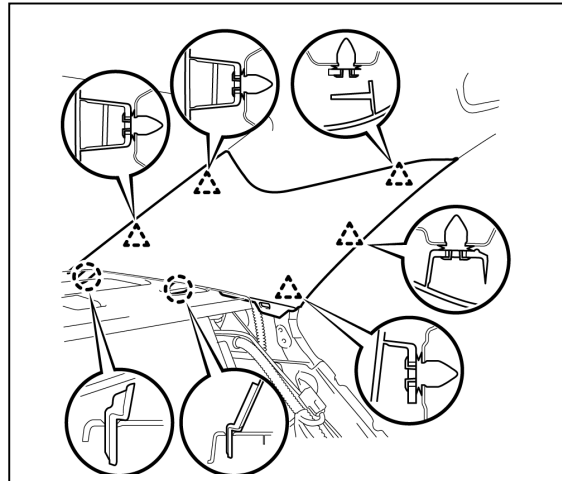


8. Remove the rear seat inner with center belt assembly RH.

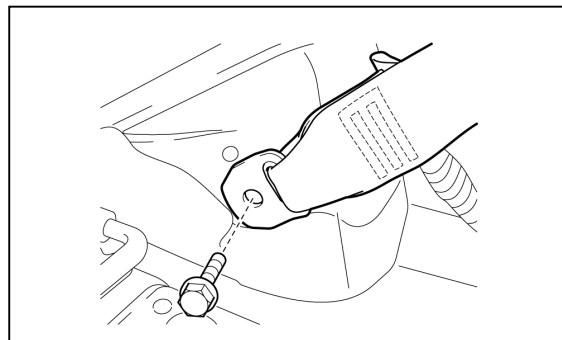


9. Remove the roof side inner garnishes LH and RH.

- a) Disengage the 5 clips and 2 claws, and remove the roof side inner garnish.

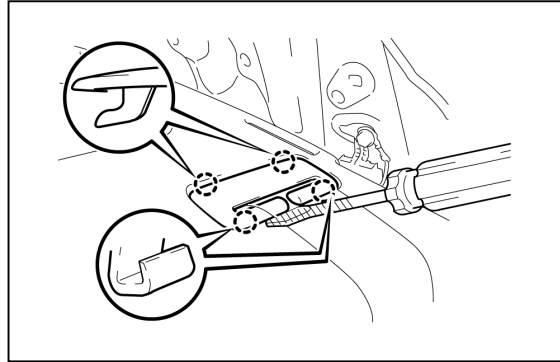


10. Remove the rear seat outer belt assemblies LH and RH.

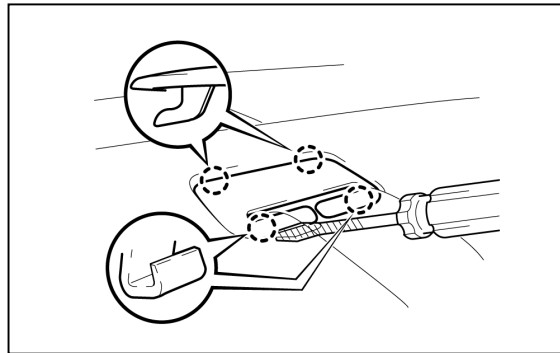




11. Using a screwdriver, disengage the 4 claws and remove the rear seat shoulder belt cover.

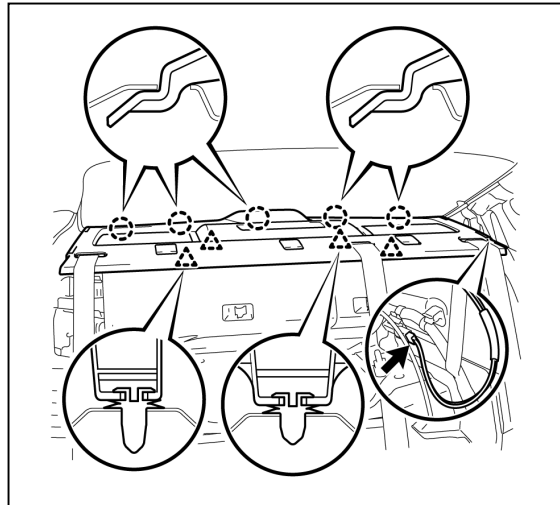


12. Using a screwdriver, disengage the 4 claws and remove the rear seat shoulder belt hole cover.

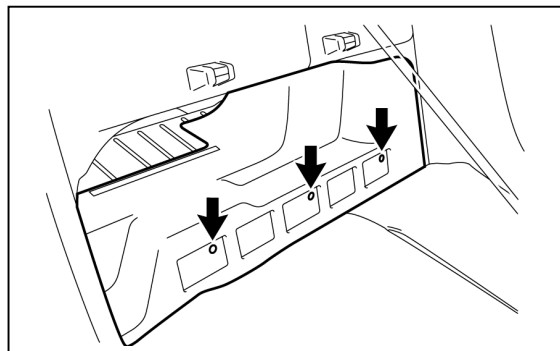


13. Remove the package tray trim panel assembly.

- a) Disconnect the connector.
- b) Disengage the 4 clips and 5 claws.
- c) Pass the 3 rear seat belt floor anchors through the package tray trim panel assembly, then remove the package tray trim panel assembly.

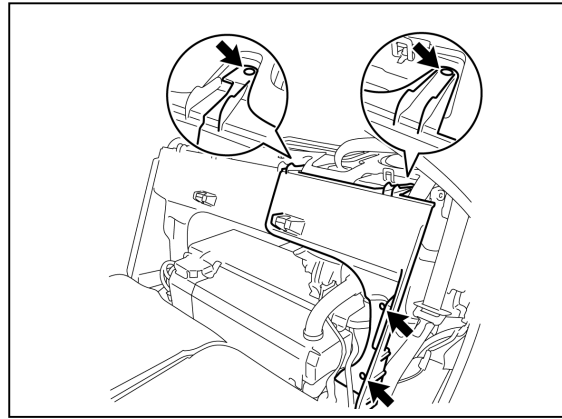


14. Remove the 3 clips and front luggage compartment trim cover.

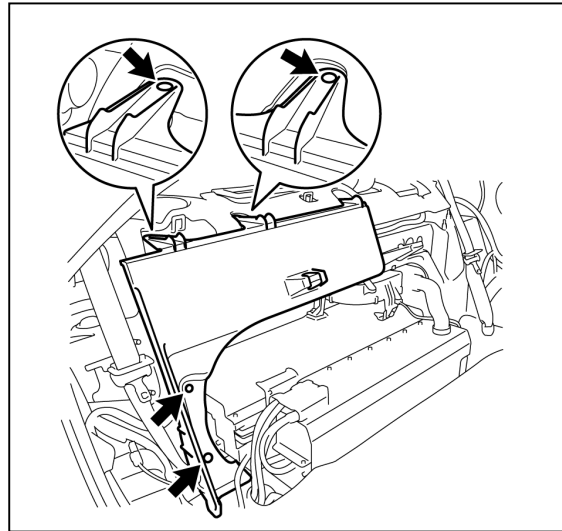


15. Remove the room partition boards  
LH and RH.

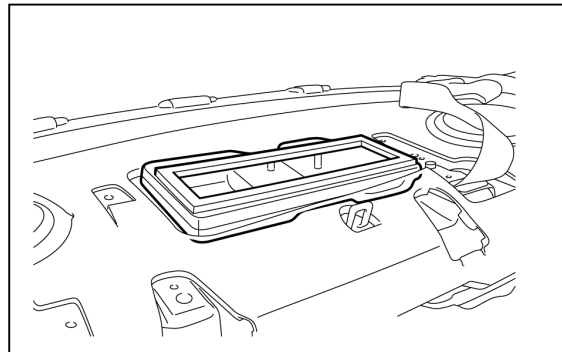
- a) Remove the 4 clips and room  
partition board LH.



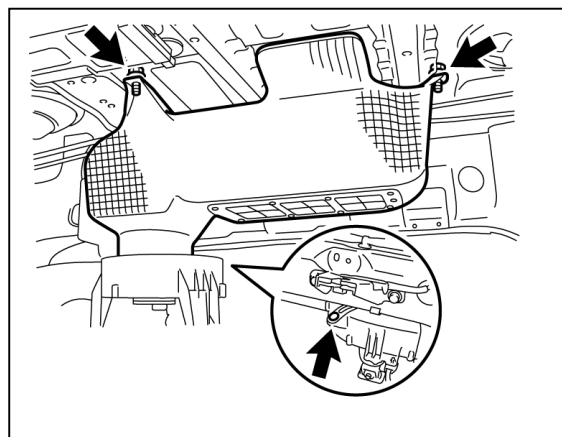
- b) Remove the 4 clips and room  
partition board RH.



16. Remove the No. 1 HV battery intake  
duct.

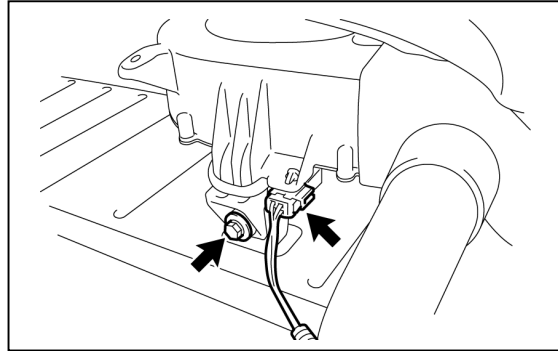


17. Remove the 2 bolts, clip, and No. 2  
HV battery intake duct.

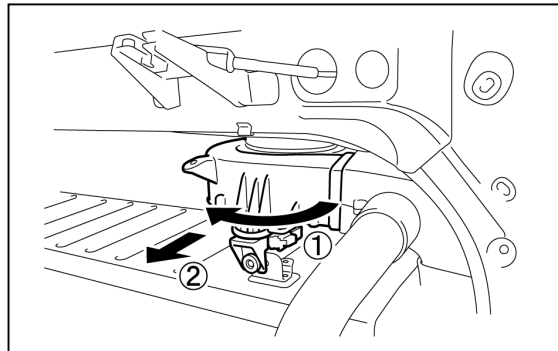


18. Remove the battery cooling blower assembly.

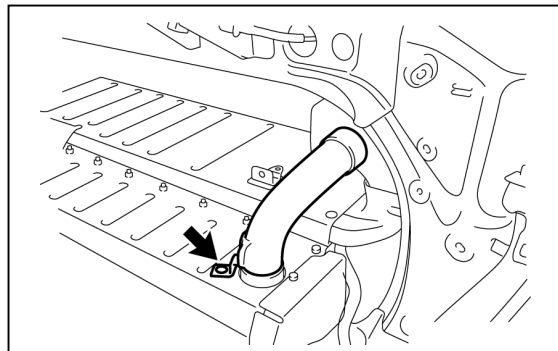
- a) Remove the bolt from the battery cooling blower assembly.
- b) Disconnect the connector from the battery cooling blower assembly.



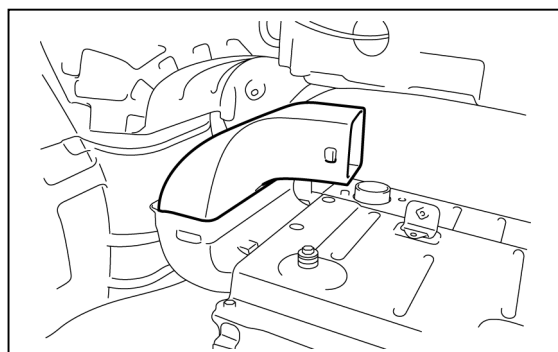
- c) Remove the battery cooling blower assembly as shown in the illustration.



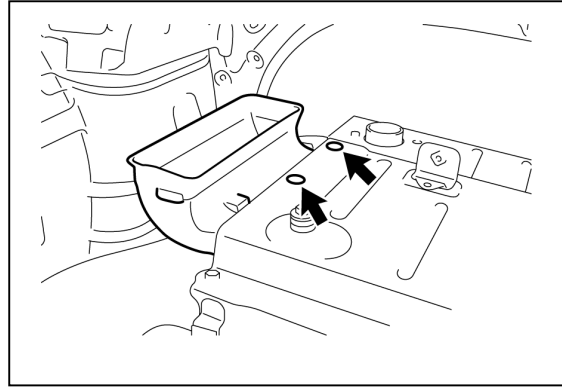
19. Remove the clip and No. 5 HV battery intake duct.



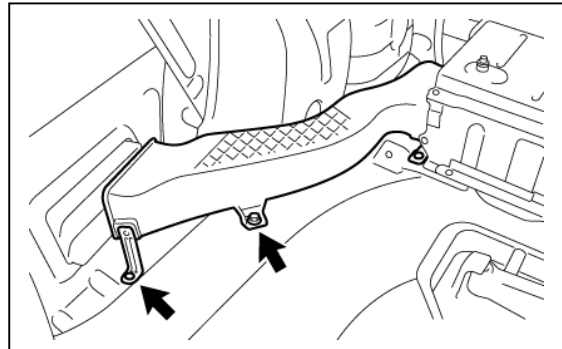
20. Remove the No. 3 HV battery intake duct.



21. Remove the 2 clips and No. 4 HV battery intake duct.

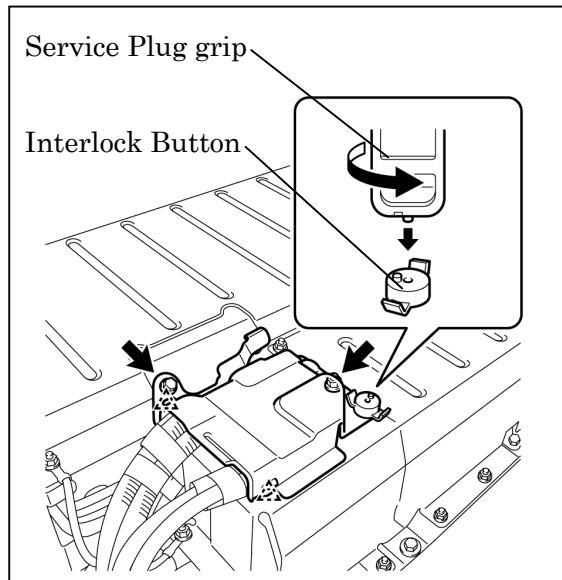


22. Remove the 2 clips nut and No. 2 HV battery exhaust duct.



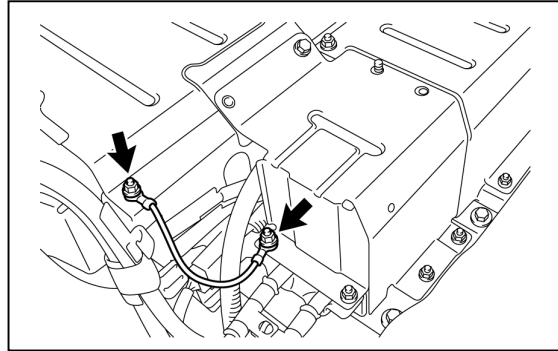
23. Remove the wire harness clamp bracket.

- a) Using the service plug grip, release the interlock button.
- b) Remove the bolt, nut, and wire harness clamp bracket.
- c) Disconnect the 2 wire harness clamps.

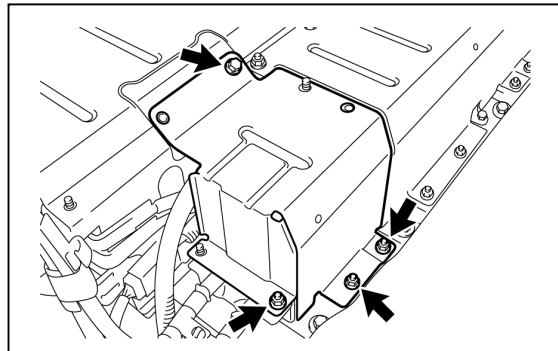


24. Remove the upper battery carrier sub-assembly.

- a) Remove the 2 nuts and ground cable.

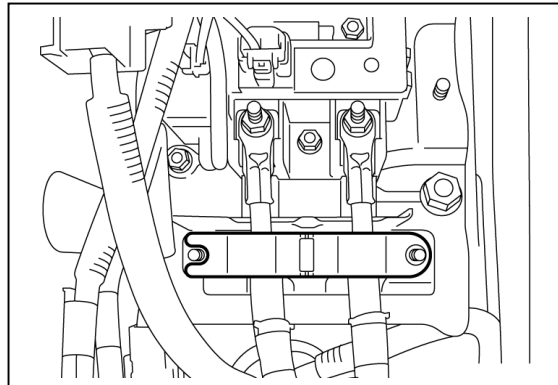


- b) Remove the 3 nuts, bolt, and upper battery carrier sub-assembly.

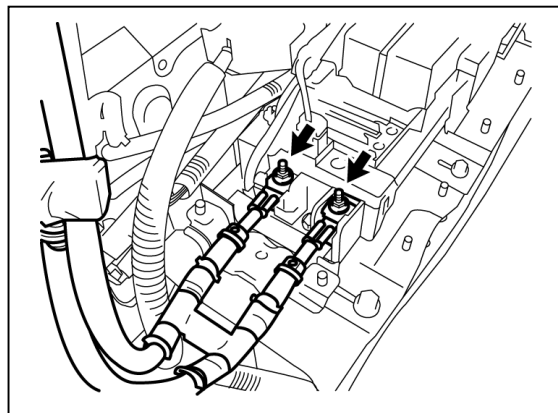


25. Disconnect the frame wire.

- a) Remove the battery shield contact.



- b) Remove the 2 nuts and disconnect the frame wire (High Voltage cable).

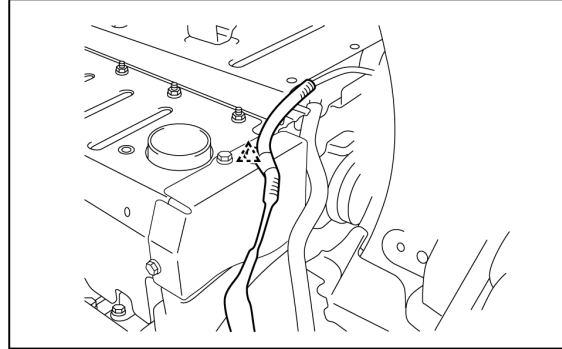


**Caution:**  
Insulate the terminals that the high voltage cable was connected to using something such as insulating tape.

26. Install the spare wheel cover assembly.
27. Install the spare wheel cover clamp.
28. Install the luggage compartment floor mat.

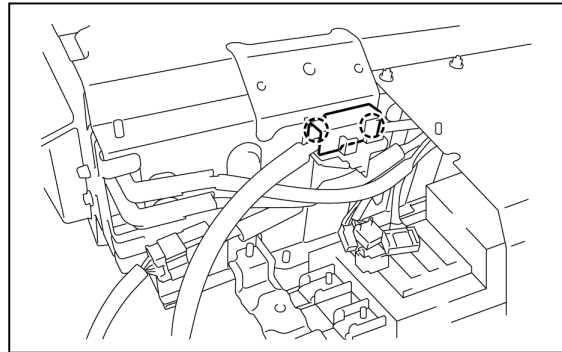
29. Remove the HV battery.

- a) Disconnect the wire harness clamp from the No. 1 battery cover.

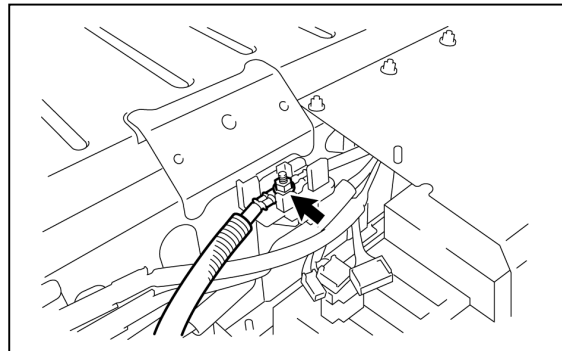


- b) Release the 2 claws and remove the terminal block cover.

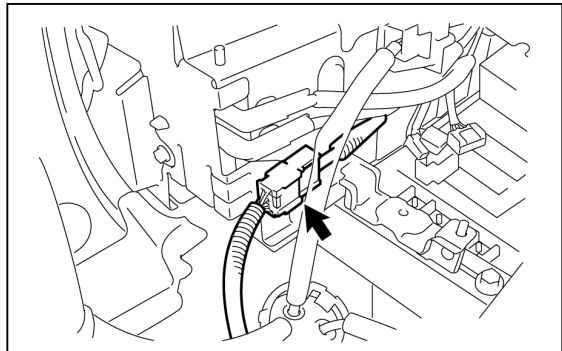
**Caution:**  
Make sure that the negative terminal is disconnected from the auxiliary battery before performing the next step.



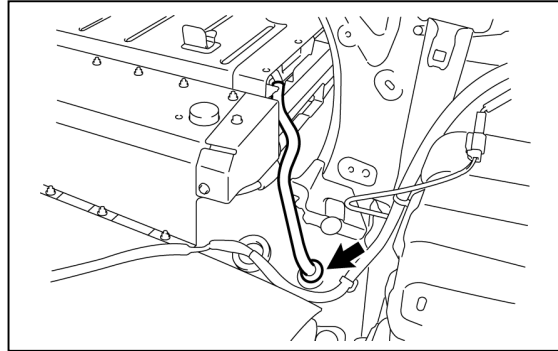
- c) Remove the nut and disconnect the frame wire (AMD cable).



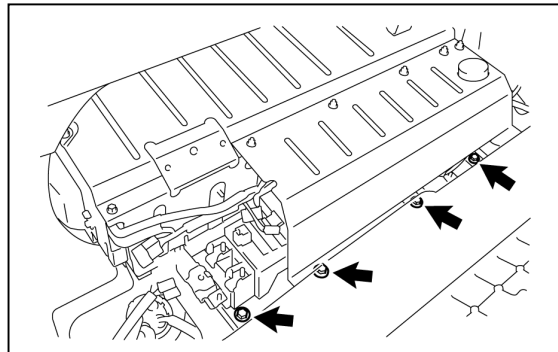
- d) Disconnect the battery pack wire connector.



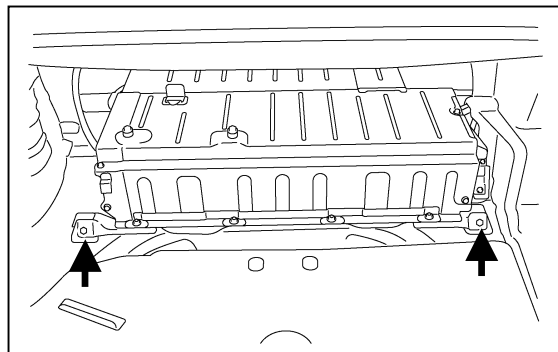
- e) Remove the grommet and battery room ventilation hose.



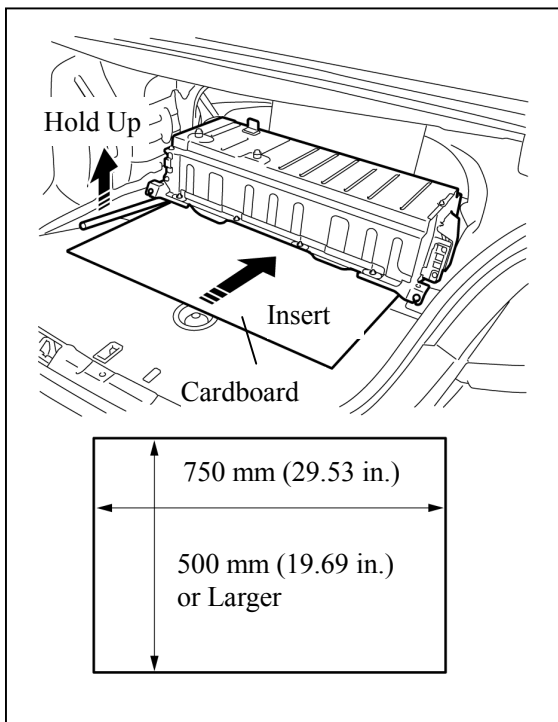
- f) Remove the 4 bolts from the HV battery.



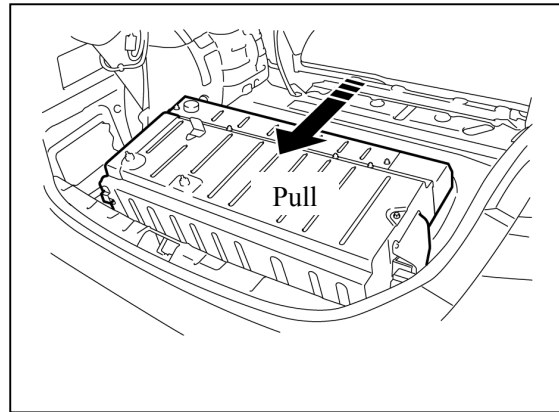
- g) Remove the 2 bolts from the HV battery.



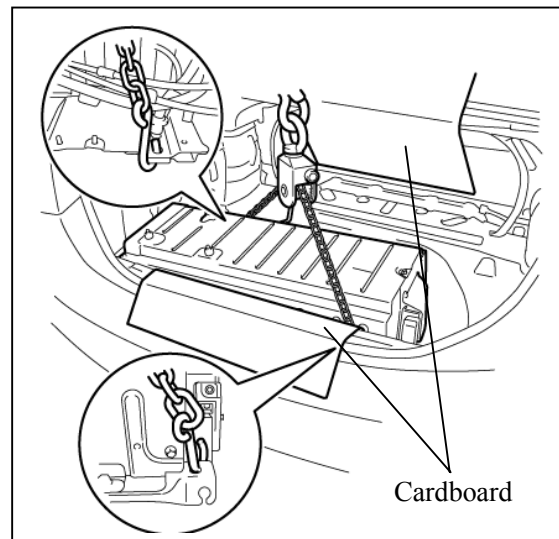
- h) Prepare a piece of cardboard of 750 mm (29.53 in.) X 500 mm (19.69 in.) or larger.
- i) Using a tire lever to hold up the HV battery, insert the cardboard until it cannot be inserted any further.



- j) Pull the HV battery together with the cardboard toward the rear of the vehicle.



- k) Using an engine sling device, remove the HV battery while tilting the HV battery 45° at the rear end.



30. The HV battery pack is recyclable. Contact your Toyota distributor which is found on the HV Battery Caution Label or contact the nearest Toyota Dealer.  
(See the next page)

**Caution:**

**After removing the HV battery, do not connect the service plug to the HV battery.**



HV Battery Caution Label

1. For U.S.A.

<b>⚠ DANGER</b>									
<b>High Voltage Inside / Alkaline Electrolyte</b>									
<p>To avoid injuries, burns or electric shocks:</p> <ul style="list-style-type: none"> <li>• Never disassemble this battery unit or remove its covers.                     <ul style="list-style-type: none"> <li>-Service by Qualified Technician. -</li> </ul> </li> <li>• Avoid contact alkaline electrolyte with eyes, skin or clothes. In event of accident, flush with water and get medical help immediately.</li> <li>• Keep children away from this unit.</li> <li>• Do not puncture or impact on this unit when operating forklift, or expose to open flame or incinerate, or expose to liquids when storing this unit, as excessive heat may generate fire and electrolyte may leak out.</li> </ul>									
<b>To the Qualified EV Technicians:</b>									
Be sure to read the Repair Manual when servicing or replacing the battery.									
<b>HV Battery Recycling Information</b>									
<ul style="list-style-type: none"> <li>• Please transport this battery in accordance with all applicable laws.</li> <li>• Be sure to consult your dealer or the following address for replacing and disposing of this battery.</li> </ul>									
Residents in U. S. A.			Residents in PUERTO RICO						
♦ TOYOTA MOTOR SALES U. S. A. INC. TORRANCE CAL. 90501 Phone: 1-800-331-4331			♦ SERVCO PACIFIC INC. HONOLULU HAWAII 96813 Phone: 808-839-2273			♦ TOYOTA DE PUERTO RICO HATO REY, PUERTO RICO Phone: 787-751-1000			
									<b>B</b>

2. For CANADA

<b>⚠ DANGER</b>									
<b>High Voltage Inside / Alkaline Electrolyte</b>									
<b>Haute tension à l' intérieur / Electrolyte alcalin</b>									
<p>To avoid injuries, burns or electric shocks:</p> <ul style="list-style-type: none"> <li>• Never disassemble this battery unit or remove its covers.                     <ul style="list-style-type: none"> <li>-Service by Qualified Technician. -</li> </ul> </li> <li>• Avoid contact alkaline electrolyte with eyes, skin or clothes. In event of accident, flush with water and get medical help immediately.</li> <li>• Keep children away from this unit.</li> <li>• Do not puncture or impact on this unit when operating forklift, or expose to open flame or incinerate, or expose to liquids when storing this unit, as excessive heat may generate fire and electrolyte may leak out.</li> </ul> <p>Afin d' éviter des blessures et brûlures et tout chocs électriques:</p> <ul style="list-style-type: none"> <li>• Ne jamais démonter cet ensemble batterie ni enlever ses couvercles.                     <ul style="list-style-type: none"> <li>-Confier l' entretien à un technicien qualifié. -</li> </ul> </li> <li>• Eviter tout contact de l' électrolyte alcalin avec les yeux la peau ou les vêtements. En cas d' accident, rincer à l' eau et contacter un médecin immédiatement.</li> <li>• Garder cet ensemble hors de portée des enfants.</li> <li>• Ne pas percer cet ensemble et ne pas lui faire subir d' impact lors de l' utilisation du chariot élévateur. Ne pas l' exposer à une flamme vive ni l' incinérer. Ne pas l' exposer à un liquide lors du stockage. Une chaleur excessive pourrait provoquer un incendie et l' électrolyte pourrait fuir.</li> </ul>									
<b>To the Qualified EV Technicians:</b>									
<b>A l' attention des techniciens spécialistes en véhicules électriques:</b>									
Be sure to read the Repair Manual when servicing or replacing the battery. Veiller à lire le manuel de réparation lors de l' entretien ou du remplacement de la batterie.									
<b>HV Battery Recycling Information</b>									
<b>Information sur le recyclage de batterie de véhicule hybride</b>									
<ul style="list-style-type: none"> <li>• Please transport this battery in accordance with all applicable laws.</li> <li>• Be sure to consult your dealer or the following address for replacing and disposing of this battery.</li> <li>• Prière de transporter cette batterie conformément à toutes les lois applicables.</li> <li>• Pour le remplacement et la mise au reout de cette batterie, veiller à consulter un votre concessionnaire ou se renseigner à adresse suivante.</li> </ul>									
TOYOTA CANADA INC. ONE TOYOTA PLACE SCARROROLGH ONTARIO M1H 1H9 Phone: 1-888-TOYOTA-8 (1-888-869-6828) URL: www.toyota.ca									<b>C</b>