



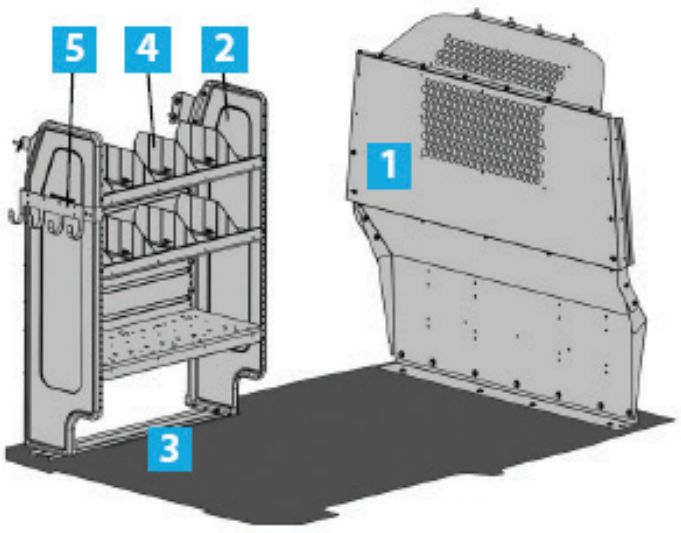
BUSINESS CHOICE



Package shown without dividers.

NO CHARGE!*

OPTION "A" GM COMMERCIAL UPFIT PACKAGE FOR CITY EXPRESS #5399



1. Steel Partition
2. 32" ADseries Adjustable Shelf Unit
3. Streetside Rail Kit
4. Set of 8 Removable Dividers
5. Four Hook Bar



ADRIAN STEEL

Cargo Management Solutions for Commercial Vehicles

*THIS NO CHARGE PACKAGE IS AVAILABLE TO CUSTOMERS WITH A GENERAL MOTORS FLEET ACCOUNT NUMBER OR A CURRENT GST AND BUSINESS LICENSE NUMBER. CONDITIONS APPLY. CALL FOR DETAILS.



1313 36 St. NE, Calgary, AB, T2A 6P9

GERRY PELCHAT
FLEET MANAGER
(403) 207-1073
GPELCHAT@CMPAUTO.COM