

# 14CC Tandem Axle Equipment

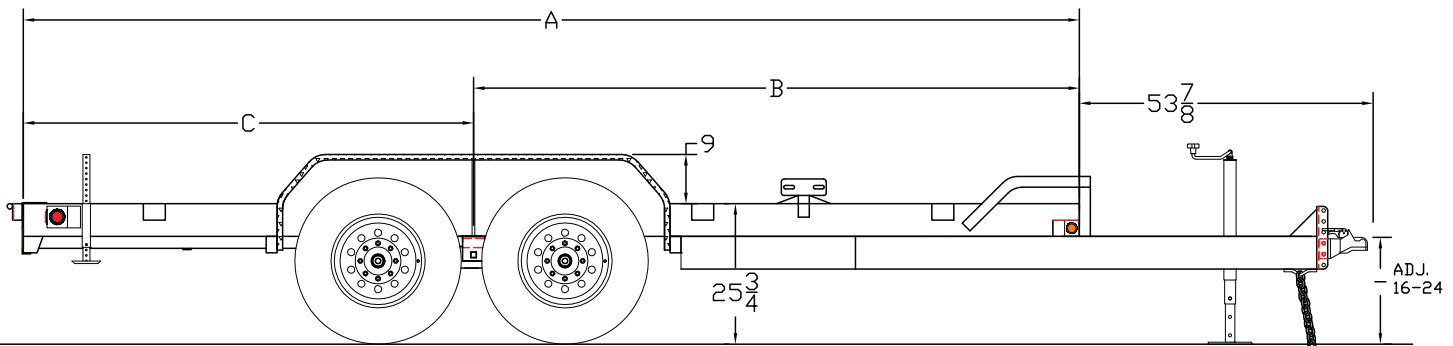
|                            |   |                      |  |
|----------------------------|---|----------------------|--|
| <b>G.V.W.R.</b>            | 14,000#                                   | <b>AXLES</b>         | Two 7,000# EZ Lube w/Electric Brakes   |
| <b>G.A.W.R. (Ea. Axle)</b> | 7,000#                                    | <b>SUSPENSION</b>    | Multi-Leaf Spring w/Equalizer  |
| <b>COUPLER</b>             | 14K Adjustable Cast 2-5/16"               | <b>TIRE</b>          | ST235/16 Load Range E  |
| <b>SAFETY CHAINS</b>       | 3/8" Grd. 70 w/Safety Latch Hook (2 each) | <b>WHEEL</b>         | 16 x 6 Radial Heavy White Mod 8 Bolt   |
| <b>JACK</b>                | 12,000# Top Wind Drop Leg (Bolted On)     | <b>FLOOR</b>         | 2" Pine  |
| <b>TONGUE</b>              | 6" Channel Fold Back                      | <b>LIGHTS</b>        | D.O.T. Stop, Tail, Turn & Clearance  |
| <b>TOP RAIL</b>            | None                                      | <b>ELEC. PLUG</b>    | 7-Way RV   |
| <b>FRAME</b>               | 6" Channel                                | <b>FINISH (Prep)</b> | Steel is Cleaned to Ensure a Professional Smooth Finish.   |
| <b>CROSSMEMBERS</b>        | 3" Channel                                | <b>FINISH</b>        | Superior Quality Finish is Applied with Pin-Stripping for a Highly Decorative and Protective Finish. |
| <b>UPRIGHTS</b>            | None                                      |                      |  |
| <b>FENDERS</b>             | 9" x 72" Diamond Plate w/Back (Removable) |                      |  |

## Standard Features

- 14K Adjustable Cast Coupler
- Safety Chains Attached w/Cold Rolled Eyelets
- Fold Back Tongue
- 2" Tubular Stop Rail
- Tie Down Pockets, Sides & Rear
- Floor Secured w/Torx Screws
- Reflective Marker Tape
- Cambered EZ Lube Axles
- Two 7,000# Axles w/Electric Brakes
- Complete Break-A-Way System w/Charger
- Grommet Mount Sealed Lighting

### Shown with Optional Slide In Ramps

| Dimensions |          |      |         |
|------------|----------|------|---------|
| Length     | A        | B    | C       |
| 16'        | 193-1/2" | 111" | 82-1/2" |
| 18'        | 217-1/2" | 127" | 90-1/2" |



| MODEL#  | WEIGHT | DESCRIPTION                             |
|---------|--------|---|
| 14CC-16 | 2,560# | 83" x 16' Tandem Axle Equipment Trailer |
| 14CC-18 | 2,710# | 83" x 18' Tandem Axle Equipment Trailer |

### OPTIONS

|                                 |                   |
|---------------------------------|-------------------|
| Spare Tire (ST235/80 R-16 LR-E) | 5' Slide in Ramps |
| Spare Tire Mount                | 5' Stand up Ramps |

STANDARD MODEL - NO OTHER OPTIONS AVAILABLE