

HX615



**Configuration:** Short Hood Set-Back Axle  
**Application:** Truck or Tractor  
**Engine:** Navistar® N13



- ▶ CONSTRUCTION DUMP
- ▶ CONCRETE MIXER
- ▶ REFUSE/ROLL-OFF
- ▶ PLATFORM STAKE/  
CRANE

When you have a tough job ahead of you, it's reassuring to know you have the HX615 behind you. This premium severe Service Truck is packed with features to tackle your most demanding jobs with total confidence - from its driver-friendly short 115" BBC and highly sloped hood, to its available new industry-leading 3.5 million RBM single 0.5" frame - the HX615 has everything it takes to move you to the head of the class.

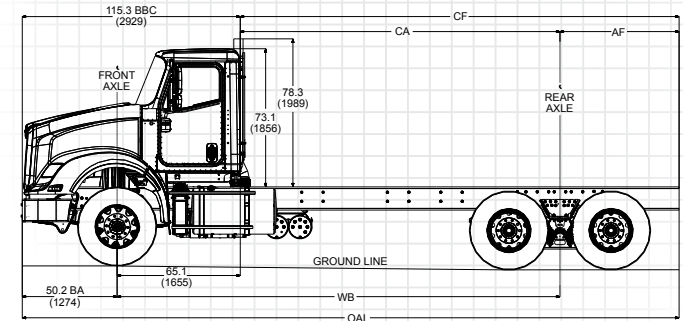




HX615

## KEY FEATURES:

- ▶ Navistar® N13 power up to 475 HP/1,700 lb.-ft. of torque
- ▶ Sloped 3-piece Metton hood for excellent visibility, light weight and superior strength
- ▶ Strong Huck-Spin frame and crossmember fasteners
- ▶ Available, industry-leading 12.5" x 0.5" single frame rail delivers 3.5 million RBM while reducing corrosion
- ▶ Severe service aluminum cab with riveted and bonded lap seams for increased strength and easier repair
- ▶ Optimized cab suspension produces a supremely comfortable and quiet ride
- ▶ Available, industry-leading 150,000 lb. rated center tow pin for severe recovery



## 115" BBC SET-BACK FRONT AXLE

### GVWR

- ▶ 53,200 - 92,000 lbs.

### Axle Configurations

- ▶ 6x4
- ▶ 8x6

### Frames

- ▶ Yield: 120,000 PSI
- ▶ RBM: 2,037,600 - 4,450,000 in.-lbs.
- ▶ SM: 16.98 - 37.08 cu. in.

### Engine

- ▶ Navistar N13:
  - HP: 370 - 475
  - Torque: 1,350 - 1,700 lb.-ft.

### Transmission

- ▶ Manual: Eaton 8LL - 18-speed
- ▶ Automated: Eaton UltraShift+ VMS, VCS, MXP, VXP
- ▶ Automatic: Allison 4000, 4500, 4700 Series

### PTO

- ▶ REPTO - Includes in-cab access hatch

### Front Axles

- ▶ Meritor: 13,200 - 22,000 lbs.
- ▶ Dana: 16,000 - 22,000 lbs.

### Front Suspensions

- ▶ Multi-Leaf: 14,000 - 23,000 lbs.
- ▶ Parabolic: 12,000 - 20,000 lbs.
- ▶ Slipper-type: 20,000 - 24,000 lbs.

### Rear Axles

- ▶ Dana Tandem:
  - Single Speed: 40,000 - 46,000 lbs.
  - Two Speed: 46,000 lbs.
- ▶ Meritor Tandem: 40,000 - 70,000 lbs.
  - Double Reduction: 58,000 - 70,000 lbs.
- ▶ Tridem: 53,000 to 69,000 lbs.

### Rear Suspensions

- ▶ Chalmers: 40,000 - 52,000 lbs.
- ▶ Hendrickson RT: 40,000 - 65,000 lbs, RS: 65,000 lbs, R: 80,000 lbs.
- ▶ Hendrickson HMX: 40,000 - 46,000 lbs.
- ▶ Hendrickson HAS: 40,000 - 46,000 lbs.
- ▶ Hendrickson PRIMAAX®: 46,000 - 52,000 lbs.
- ▶ Hendrickson PAX Tridem: 69,000 lbs.

### Exhaust

- ▶ Switchback After Treatment Device: Single or Dual Vertical Stacks
- ▶ Vertical After Treatment Device: Single Vertical Stack

### Electrical

- ▶ Alternator:
  - Bosch: 160 - 200 Amp.
  - Delco Remy: 165 - 300 Amp.
  - Leece-Neville: 210 - 240 Amp.
- ▶ Batteries
  - 1,950 - 3,700 CCAs

### Fuel Tanks

- ▶ 60 - 240 Gallons, Single or Dual, Polished or Non-Polished
- ▶ LH Mounted Under Cab or Dual Under Cab or Back of Cab
- ▶ 24" or 26" Diameter

### Braking and Control Systems

- ▶ Traction Control
- ▶ Electronic Stability Control (ESP)
- ▶ Bendix® Wingman®\*

### Available Recovery Devices

- ▶ Center Tow Pin: 150,000 lbs.
- ▶ Tow Hooks: 80,000 lbs.
- ▶ HD Rear Tow Loop: 80,000 lbs.
- ▶ HD Rear Tow Hooks: 80,000 lbs.

\*Available via custom engineering

**Note:** The information and conclusions contained are believed to be correct at time of publication, but do not necessarily apply to similar vehicles with different specifications or with production dates after the production of this publication. Vehicles with different specifications or later dates of production may yield different results. Vehicle specifications are subject to change without notice. TAD16004 06/2016 ©2016 NAVISTAR Inc. All rights reserved. All marks are trademarks of their respective owners.