



# VOLVO S90

MY2018



# INNOVATION FOR PEOPLE

**At Volvo Cars,** we continuously innovate in order to make your life better. Every car, every technology and every design is the result of a clear vision – to put people at the heart of everything we do. It's a vision that has driven us from the start.

This vision has inspired us to create the likes of the three-point seat belt and side-impact airbags – inventions that have saved lives and changed automotive history. And with our new generation of cars, we continue this tradition. Scandinavian design combines with modern Swedish luxury to enrich your experience. Intuitive Sensus technology makes life less complicated and keeps you connected with the world, while the latest Drive-E powertrains balance responsive power with class-leading efficiency. And supporting you while you are driving, our IntelliSafe innovations make your journey more comfortable and enjoyable while helping to prevent accidents.

We understand what's important to people. It forms the basis of all the innovations that we create. Innovations that improve lives. At Volvo Cars, we design our cars around you.

## Contents

Exterior Design.....	4	Chassis.....	34	Accessories.....	50
Interior Design.....	8	Powertrains.....	36	Option Packages.....	56
Sensus.....	12	Trim Levels.....	38	The Volvo Experience.....	60
IntelliSafe.....	20	Momentum.....	40	Facts and Figures.....	64
Drive-E.....	28	Inscription.....	44		



**When we designed** our sedan we had a single aim: to create a car that would redefine the idea of luxury. The result is the Volvo S90, a car that blends the best of Scandinavian design with advanced technology to give you a new experience, beyond the commonplace and everyday. A new kind of luxury.

The powerful, low-slung body, with the classic Volvo hallmark of a wide and muscular shoulder line, expresses the car's intent. It's confident and assured, the embodiment of a design philosophy that extends inside the car. Inside you'll discover a cabin crafted from exceptional materials such as Swedish crystal and Flame Birch Wood Inlay. With exceptional rear seat legroom and a Panoramic Moonroof that lets the light shine in, you and your passengers will have a sense of space and freedom.

In the S90, technology supports you without being overwhelming. From safety technology that helps to avoid collisions, to the T8 eAWD powertrain, with its electric motor and powerful gas engine, every one of the advanced features has been engineered to improve every journey.

This is how a modern luxury sedan should be. This is the Volvo S90.



## THE ART OF CREATION

*Where elegance complements technology.*

**From any angle** the S90 looks elegant and powerful. The short overhangs, longer wheelbase, and low roofline combine to create a solid, sculpted vehicle that is sophisticated and elegant. The muscular shoulder line is distinctly Volvo, anchoring the car to its heritage while connecting it to the future.

The S90 is packed with innovative technology that has one purpose: to make your life easier; and one principle: it must be easy to use. A big touchscreen means we've been able to reduce the number of buttons to a minimum, and its portrait format makes reading and scrolling maps much easier. Run-off Road Mitigation is a world-first innovation that helps steer you back on track if the car starts to veer off the road accidentally. This is our human-centric approach to technology – it works for you.

Underneath the crisply sculpted exterior lies a chassis that delivers the perfect combination of precise handling and welcome comfort. Double wishbone front suspension and integral axle rear suspension give you control over the car's movement. The optional rear air suspension with active chassis has different settings to suit your mood, or the road, and keeps the car at the optimum level, regardless of load.

*"Underneath the crisply sculpted exterior lies a chassis that delivers the perfect combination of precise handling and welcome comfort."*



**T6 AWD | Inscription**  
721 Mussel Blue metallic | 20" 8-Spoke  
Silver Diamond Cut Alloy Wheels, 214  
(Require Performance Summer Tires)

**Classically Volvo, distinctly modern.** Combining powerful proportions with Scandinavian subtlety elevates the S90 beyond the everyday. The standard Panoramic Moonroof gives passengers the option of opening the power-operated sunshade to let in natural light,

or opening the Moonroof to get fresh air and create a light and airy feeling throughout the cabin. Integrated tailpipes add to the design's coherence, while the shape of the LED rear lights gives the S90 real presence, whether moving or stationary.

**T6 AWD | Inscription**  
721 Mussel Blue Metallic | 20" 8-Spoke  
Silver Diamond Cut Alloy Wheels, 214



**Blond Perforated Nappa Leather**  
Blond/Charcoal Interior UC00 |  
Linear Walnut Wood Inlays, 315



## DESIGNED FOR CONTROL

*Precision and accuracy at every touch.*

**From the moment** you settle into the sculpted driver's seat, you're in control. You sit low in the S90, with the 9" Sensus Touchscreen angled towards you to create the feeling of a cockpit. You're surrounded by an environment where beautiful materials and advanced technology meet, creating a cabin that looks great and works perfectly.

The exceptional craftsmanship enhances the feeling of precision. Take the air vents, for example. With a metal-finish vertical strip and distinctive diamond-pattern surfaces for the control knobs, they are beautiful to look at and a pleasure to use. In the S90 every component moves with the accuracy afforded by fine engineering. It is a car that gives you control over every part of your journey.



## EXPERIENCE A NEW WAY TO TRAVEL.

**Travel first class** in every seat, every day. When you're in the S90 you're in your own private lounge, a place where comfort and luxury combine with technology and craftsmanship.

It starts with the front seats. Sculpted to complement the human form, they provide superb support and a huge range of adjustment, so everyone can find the ideal seating position. The shape of the backrests increases legroom for passengers in the rear, for a spacious, luxurious ride. Individually controlled heated rear seats mean everyone benefits from the same levels of comfort.

By day, the standard Panoramic Moonroof floods the car with light. At night, the cabin glows with the warmth of its interior lighting, welcoming you into the car. The optional high-level illumination package includes backlit door handles and illuminated tread plates, as well as additional interior lighting that enhances the exclusive ambience.

Our CleanZone technology helps ensure a healthy interior

environment and clean cabin air. It filters dust, pollen, particulates and odors while monitoring the air quality and closing the intakes if pollutant levels rise too high. It happens automatically – all you need to do is set the temperature you want and the S90 does the rest.

For the power-operated trunk lid there's a hands-free function, so you don't have to put down what you're carrying to open it. In the S90, technology and convenience go hand in hand. At Volvo Cars, we put a priority on our passengers as well, which is why we increased the length of the S90 between the front seats and the rear wheels. The result is an additional 4.5 inches of generous rear seat legroom. In addition, optional four-zone climate controls allow rear seat passengers to choose their own settings using a dedicated touchscreen. It also includes an air-conditioned glove compartment that keeps its contents cool. Now even the very tallest and most discerning of passengers will be comfortable traveling in the rear seat.



In the driver's seat, you're in charge. Control functions such as navigation and entertainment from the steering wheel buttons, while the 12.3" (optional in T5) Digital Driver Display keeps you informed.



Every element of the cabin is crafted to make form and function one. The door handles can be backlit, making them easier to find in the dark.



Beautiful, natural materials such as Linear Walnut Wood complement the car's advanced technology, creating a uniquely contemporary look.

*"Sensus connects you with your Volvo and the rest of the world."*

## **SENSUS**

*Informed, in control and  
 always up to date.*

**Sensus connects you** with your S90 and the rest of the world. It keeps you informed, entertained and in control of your journey.

Intuitive, easy-to-use controls are a prime feature of Sensus, and you will find them on the large, 9" Sensus Touchscreen. Replacing physical buttons with virtual equivalents on the screen allows them to be larger and easier to use. Bold, clear graphics make it easy to absorb information at a glance. Our philosophy has always been that you should be able to operate your Volvo and keep your eyes on the road. The optional head-up display means you can do just that.

And Sensus goes further, with in-car WiFi keeping your devices connected to the internet, while our audio systems offer considerable flexibility when it comes to choosing your desired music source and tailoring its sound.





## CONNECTING YOU WITH A WORLD OF ENTERTAINMENT.

**Get closer to** the music you love, no matter which seat you're in. With Sensus Connect, all of your music is available all of the time, whether it's direct from your favorite media source or streaming from the internet.

It all begins with the 9" Sensus Touchscreen, the control center for Sensus. The surface responds to the lightest of touches – you only need to brush your fingers over the glass to operate the controls. It even works with gloved hands.

Connecting your devices is quick and easy. With our Smartphone Integration you simply plug your smartphone into the car using the USB connection, and you can turn the center display into an extension of your iPhone® (5 or later) or Android smartphone

(5.0 Lollipop or later). You can connect via Apple CarPlay™ or Android Auto™ to access your device's music, make calls and send messages. And when connected, your phone will be charging too.

Your choice of entertainment is not limited to what you have on your smartphone or portable audio player. WiFi and tethered internet increases your choice, with a fast and stable connection through the roof aerial. The Spotify® in-car app makes finding new music quick and easy, and you have access to internet radio and on-demand services as well. Our High Performance audio system is tuned to make the most of your music, while Bowers & Wilkins takes the listening experience to another level.



**Our Bowers & Wilkins audio system** gives every occupant a superb audio experience, no matter which seat they are sitting in. Developed with Bowers & Wilkins, creators of high-end audio, this innovative technology brings exceptional clarity and realism to your favorite music. The unique air-ventilated subwoofer delivers richer, deeper bass by drawing air in from outside the car so it can pulse more air through the speaker. There are 19 speakers, allowing everyone



in the car to get the best possible sound, all the time. And you get closer to the performance by using one of the system's three room modes to bring the music to life. Concert mode recreates the unique acoustic experience of the Gothenburg Concert Hall, while Stage and Studio modes put you at the heart of the music, allowing you to hear it as the musicians intended.

*"Turn the center display into an extension of your smartphone using our Smartphone Integration."*



**9" Sensus Touchscreen.** The focal point of the elegant cabin is the 9" center display with touchscreen, which uses a portrait format to give you a large viewable area that means less scrolling. This format is perfectly suited to displaying maps, and mirrors the look of modern

smartphones in its layout, so it feels instantly familiar and intuitive. It features a glossy black finish that, thanks to a special coating, minimizes reflection – so it not only looks beautiful but works beautifully. This is how technology should be.

Apple CarPlay is a trademark of Apple Inc.  
Android Auto is a trademark of Google Inc.  
Bowers & Wilkins is a trademark of B&W Group, Ltd.

## GET TO YOUR DESTINATION EVERY TIME, WITH EASE.

Let **Sensus Navigation** be your guide, helping you find your destination and keeping you informed.

Everything you need to know is shown on the 12.3" Digital Driver Display right in front of you. The high-resolution image self-adjusts so it's never too bright, automatically resizing the instruments to accommodate navigation information. The optional head-up display shows all the vital information on the lower part of the windscreen, projected to look like it is hovering in front of the car. You stay informed without ever having to take your eyes off the road.

Getting to your destination is made even easier with the clear graphics of our maps. With free lifetime mapping upgrades, Sensus stays one step ahead, guiding you accurately.

Sensus also saves you time by helping you find what you're looking for, with built-in navigation apps capable of locating a parking space and finding gas stations.

With Sensus taking care of the way ahead, your journey will be even more enjoyable.



**Voice control.** Controlling Sensus is as easy as telling it what to do. Talk to your Volvo, using natural phrases such as "Charleston, South Carolina" or "call Emily Johnson," and voice control will carry out your instructions to operate climate control, navigation, infotainment and your smartphone.



**Center display.** The portrait format center display with touchscreen makes reading maps and following navigation prompts beautifully straightforward. Maps appear as they would in an atlas and they scroll less, so you can see where you're going and what's coming next. Its clarity, size and orientation make it the ideal companion for every journey.



**Volvo On Call** makes life easier and enhances the experience of owning a Volvo. It's a safety, security, and convenience feature that includes a mobile app.

The remote engine start lets you begin every drive in comfort. Heat and defrost your car on cold mornings and cool your car on hot days, before you even get in. You can also check if a window or the tail gate is open, and see if your car is locked, then lock it or unlock it, all with the touch of a button.

Plan journeys from home by searching for destinations in the app or from a computer and sending them to your car – so when you're ready to go, so is the navigation system. Volvo On Call can even sync with your calendar to remind you of appointments, then tell you how to get there.

It's easy to find your car in a crowded parking lot. Just use the app's car locator function to flash the lights or honk the horn. With Volvo On Call, you can also check your fuel level, log journey data, and find out when your Volvo is due for service.

When you need help, Volvo On Call is ready. Just push a button and connect to the service center to get roadside assistance. And if you're in a collision that releases an airbag, Volvo On Call will detect it and send help, even if you can't push the SOS button yourself. Plus, Volvo On Call alerts you if your alarm goes off and helps the police track your car if it's stolen.

The app is compatible with your smartphone, iPad®, Windows 10-based PC or tablets, and wearables such as Apple Watch®, and mobile app services are included for 4 years after you purchase your car. Volvo On Call is one more example of human-centric innovations, developed by Volvo Cars to improve your life.

**T6 AWD | Inscription**  
714 Osmium Grey Metallic | 19" 5-Triple Spoke  
Tech Matte Black Diamond Alloy Wheels, 498

## INTELLISAFE

*Always looking out for you.*

**IntelliSafe** is our name for the intuitive, intelligent Volvo Cars technologies that support your driving, help to prevent accidents and protect you in a collision. These innovations play a key role in helping us realize our bold vision that, by 2020, no one will be killed or seriously injured in a new Volvo car.

City Safety is at the heart of IntelliSafe. Fitted as standard, it's like a co-pilot who's looking out for you, detecting danger ahead, then warning you and intervening if necessary. City Safety identifies other vehicles, pedestrians, cyclists and large animals ahead of you, even at night. It warns you of any hazards, and if you don't react, it will brake automatically to help avoid or mitigate a collision.

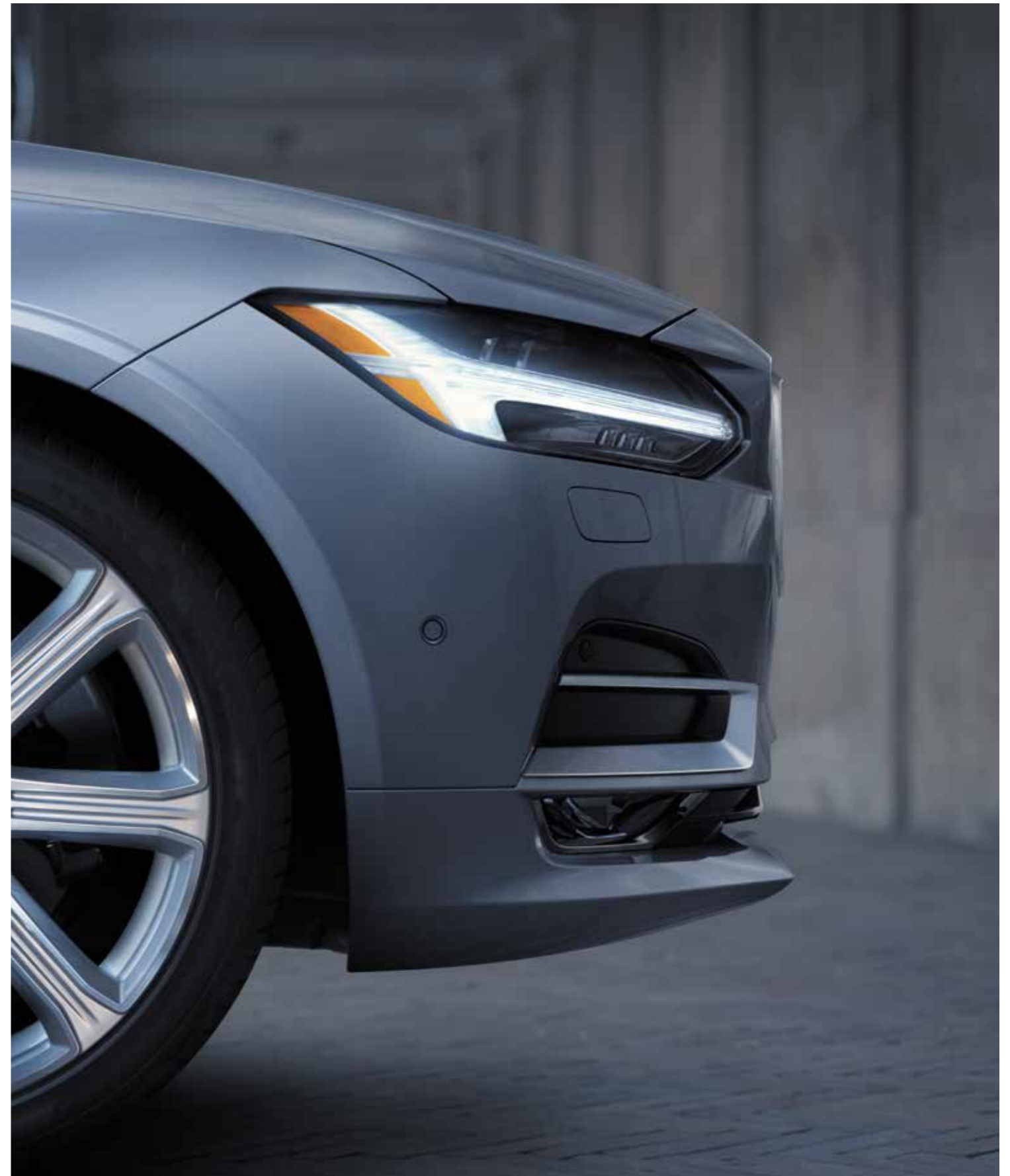
Pilot Assist adjusts the steering to help you keep the car centered

in its lane and at a set speed and distance from the car in front. Run-off Road Mitigation steers, and if necessary, brakes to help prevent you leaving the road accidentally. Driver Alert Control recognizes if you're tired or distracted and suggests that it's time to take a break, while Road Sign Information reminds you of the speed limit.

With IntelliSafe you will get BLIS™ (Blind Spot Information System) for increased awareness and confidence on the highway, alerting you to vehicles alongside you.

With safety technology that's as advanced as this, your Volvo can help make every day safer. For you, your passengers and everybody.

**The power to protect.** Hidden behind the striking front end lies an array of safety technology that helps to make driving safer and easier.



**With Pilot Assist**, your Volvo makes your journey easier and more relaxing. Pilot Assist helps keep your Volvo at a set speed or a set distance from other vehicles, and at speeds of up to 80 mph, it helps keep the car in the center of the lane by making small adjustments to the steering.

**Cross Traffic Alert** helps you to reverse out of a space knowing that there are no vehicles about to collide with you. This technology can spot vehicles approaching from either side of your Volvo at a distance of up to 98 ft. In some circumstances, it can also detect approaching cyclists and pedestrians.

**T6 AWD | Inscription**  
714 Osmium Grey Metallic | 19" 5-Triple Spoke  
Tech Matte Black Diamond Cut Alloy Wheels, 498



**T6 AWD | Inscription**  
721 Mussel Blue Metallic | 20" 8-Spoke  
Silver Diamond Cut Alloy Wheels, 214

**Perfect parking, every time.** Park Assist Pilot tells you if a parking spot is the right size for your Volvo and then takes over the steering to put your car into parallel and perpendicular parking spaces. It requires a space just 1.2 times the length of your Volvo, so it can tackle even the tightest of spaces. Engage a gear, accelerate and brake according to the screen prompts and your Volvo will take over the steering completely to maneuver your car into the space. If you want to park the car yourself, the optional 360° Surround View Camera will help you fit into the space with confidence.





## PROTECTING WHAT'S MOST IMPORTANT.

**Protecting you and your passengers** has always been our priority at Volvo Cars, and our latest generation of cars does more than ever to keep you safe. From preventive technology that helps you avoid collisions to protective features that cushion the impact of any collision, we will never stop innovating in order to improve your safety.

The foundation for our new generation of cars is a very strong passenger compartment that uses a high percentage of ultra high-strength (boron) steel to create a protective cage around you and your passengers.

Should your car leave the road, Run-off Road Protection technology reduces your chances of suffering serious injury. Prepared front seat belts automatically tighten when the car senses that an impact is imminent, ensuring that you and your passenger are in the safest position if a collision occurs. If the car leaves the ground as a result of running off the road, our unique energy-absorbing seats help protect your spine in the event of a hard landing.



The sculpted front seats in the S90 are more than just beautiful to look at. Their unique structure helps to absorb vertical impacts, helping to protect your spine if the car lands heavily after leaving the road. It's another example of how we make every part of a Volvo work harder for your safety.

Volvo is synonymous with road safety. We put our first safety cage into production in 1944, and created the three-point seat belt back in 1959. And we're still innovating today. Prepared front seat belts tighten automatically if the car detects that a collision is likely, to ensure you're in the safest position should one occur.



**T6 AWD | Inscription**  
721 Mussel Blue Metallic | 20" 8-Spoke  
Silver Diamond Cut Alloy Wheels, 214

*"Balancing performance and efficiency, every Volvo powertrain gives you on-demand power with low fuel consumption and emissions."*

## DRIVE-E

*Enjoying more, using less.*

Drive-E is our new generation, all-embracing approach to efficient power and an uncompromising driving experience. In fact, it redefines how luxury cars will be powered in the 21st century. It delivers the performance and driving enjoyment you'd expect from a luxury sedan and reduces the impact on the environment. This means you get power and driveability together with low fuel consumption and CO<sub>2</sub> emissions.

The key to this is our new, lightweight, low-friction, turbo, and turbo/super-charged 2.0L four-cylinder engine, which is coupled with our newly designed automatic eight-speed Geartronic™ transmission. To maximize the efficiency of our Drive-E powertrains, there's an Eco Mode, which calibrates the gearbox and engine control systems for the lowest possible fuel consumption. Eco Mode also softens the throttle response to further boost efficiency. Since the air-conditioning impacts fuel use, it is partly disengaged in Eco Mode, although it can be fully switched on manually.

There's also the Eco-Coast function, which uses the car's kinetic energy to save fuel. When the driver stops pressing the accelerator at speeds above 40mph, there is no engine braking; the car just coasts along with the engine at idle. Finally, the Start/Stop system also plays its part in lowering fuel consumption. This technology enables us to offer the power of a much larger engine from a compact four-cylinder to achieve the perfect mix of power and efficiency.





**T8 eAWD Plug-In Hybrid | Inscription**  
707 Crystal White Metallic | 20" 10-Spoke  
Silver Diamond Cut Alloy Wheels, 1030

## TWO HEARTS, ONE CAR.

With advanced powertrain technologies, such as electrification, we aim to provide you with an unrivaled driving experience. In fact, we've focused on electrification and Plug-in Hybrid technology for more than 40 years. This experience together with advanced research put Volvo Cars in the forefront of technology, and our latest powertrain advancement – the high-performance T8 eAWD Plug-In Hybrid technology – allows you to enjoy an involving drive as well as cutting CO<sub>2</sub> emissions.

With 400hp the combination of a four-cylinder gas engine and powerful electric motor offers the power and performance of a much larger engine, using much less fuel. The 313hp gas engine drives the front wheels and the electric motor powers the rear, giving instantaneous acceleration and on-demand all-wheel drive.

With just the electric motor powering the car, you benefit from silent, emissions-free driving. Four different drive modes offer precise control over the car's powertrain. Hybrid Mode uses gasoline and electric power for the best balance of power and efficiency, while Pure uses the electric motor only for zero-emission driving. Power combines the full output of the gasoline engine and

the electric motor for the best performance, while eAWD switches to full-time all-wheel drive. Blend your favorite elements of each mode and create a mode that's tailored to your needs by selecting Individual.

Controlling this technology is intuitive and straightforward. A beautiful machined-alloy roller switch allows you to flick easily between modes. And if you've chosen our active chassis with rear air suspension, your car automatically selects the best chassis settings to complement the Drive Mode, allowing you to enjoy the drive while your Volvo does the work.

Charging the battery is quick and easy. Drive the car and the battery charges itself, thanks to regenerative braking. If you need to top it off, plug it into the mains supply and the battery can be fully charged in under three hours. Adding to your convenience, the Volvo On Call app shows battery and charge status. It also allows you to remotely schedule battery charging using a timer function.

The T8 eAWD Plug-In Hybrid gives you the best of both worlds. Power without compromise.



Made from Orrefors® crystal glass, the gear selector in the T8 blends traditional Swedish materials with advanced design and technology.



The combined power of a turbocharged gas engine and a responsive electric motor makes the S90 T8 a true performance sedan.



Plug in, turn on, charge up. Use the charging port to connect the S90 to the mains and enjoy the refinement of the electric motor wherever you go.

*"The T8 eAWD Plug-In Hybrid gives you the best of both worlds. Power without compromise."*



**T8 eAWD Plug-In Hybrid | Inscription**  
 707 Crystal White Metallic | 20" 10-Spoke  
 Silver Diamond Cut Alloy Wheels, 1030



The way we've designed the T8 eAWD Plug-In Hybrid gives you more than just efficiency – you will notice how well balanced and responsive the car feels on the road, and how quickly it reacts to changes of direction. By mounting the electric motor over the rear axle and fitting the battery along the car's centerline, we've given the S90 near-perfect weight distribution, a key element in creating agile handling.

The battery's location helps give the S90 a low center of gravity, so it is stable, sure-footed and comfortable. And because the battery is not in the trunk, you get the same luggage capacity in the T8 eAWD Plug-In Hybrid as you do in all other S90 models. Our cars are designed from the outset to use plug-in hybrid technology, so your experience with them is never compromised.



**T6 AWD | Inscription**  
 721 Mussel Blue Metallic | 20" 8-Spoke  
 Silver Diamond Cut Alloy Wheels, 214



## DRIVEN TO PERFECTION.

**We designed the S90** from the ground up for precision and comfort. That's why the sophisticated suspension gives you the best of both worlds. Accuracy and precision when you want it, backed up by comfort and technology to make every drive enjoyable.

Double wishbone front suspension works in harmony with Integral link rear suspension to give you precise control over the car. With our active chassis with rear air suspension, your S90 will compensate for loads, while adapting the chassis to the road and driving conditions for an even better ride. Advanced driver aids such as stability control and understeer control logic keep the S90 stable, improving the way it handles corners. All-wheel drive models provide even greater reassurance on demanding roads.

As an option, you can choose between four drive modes that allow you to tailor the car's behavior to your mood and find the perfect setting for the road you're on. Altering the engine, gearbox, accelerator and steering response changes the way the car behaves, and with the optional active chassis with rear air suspension, how it rides and handles.

And when you come to a stop, the S90 helps you to get going again. Hill Start Assist makes pulling away on an incline effortless by holding the car on the brake until you press the accelerator. Auto Hold keeps the brakes on after you've released the pedal, so you can let the car do all the work in stationary traffic.



Discover superior comfort and handling with our optional active chassis with rear air suspension. It soaks up poor road surfaces and keeps the ride height constant so the car responds how you want it to. Active chassis technology allows you to change the way the S90 rides and handles.

**T6 AWD | Inscription**  
721 Mussel Blue Metallic | 20" 8-Spoke  
Silver Diamond Cut Alloy Wheels, 214



## YOUR JOURNEY BEGINS HERE.

We created the S90 with one single purpose: to provide you with a car that perfectly fits you and your lifestyle. A car that meets your expectations of a dynamic drive with refined comfort and sophisticated design.

At the heart of your S90 is a dynamic, efficient powertrain. Whichever you choose, you will enjoy our latest Drive-E technology that gives you instant response and a smooth ride. Fuel consumption and CO<sub>2</sub> emissions are kept low, and our powertrains already comply with future exhaust emission legislation.

Our Drive-E powertrain range includes advanced gasoline engines mated to our smooth eight-speed Geartronic™ automatic gearbox, available with responsive all-wheel drive technology or front-wheel drive. And for the ultimate combination of performance and efficiency in your S90, there's the option of our T8 eAWD powertrain with plug-in hybrid technology.

Make your choice and enjoy the journey wherever it takes you.

### **T8 eAWD Plug-In Hybrid**

Our T8 eAWD Plug-In Hybrid powertrain delivers an exhilarating drive with uncompromised efficiency. Combining a high-performance gasoline engine and an electric motor, this combined 400 hp/472 lb-ft powertrain allows outstanding highway performance and zero emission commuting – with all-wheel drive capability when needed.

### **T6 AWD**

This high-performance 316 hp/295 lb-ft powertrain provides excellent driving dynamics without compromising on efficiency. Combined super-charger/turbo technology, responsive all-wheel drive and our smooth 8-speed Geartronic™ put you in control of your drive.

### **T5 FWD/AWD**

The 250 hp/258 lb-ft powertrain is as responsive on the highway as in the city. This superb all-rounder delivers generous power just where you need it, ensuring excellent driveability in combination with our smooth 8-speed Geartronic™ automatic gearbox.

**T6 AWD | Inscription**  
721 Mussel Blue Metallic



**Volvo S90 Momentum**  
The high level of standard equipment meets your demands on style, comfort and safety.



**Volvo S90 Inscription**  
The highly sophisticated expression of Swedish luxury.

## CREATE THE VOLVO S90 OF YOUR CHOICE.

To ensure you get your S90 exactly as you want it, we have created a wide range of options, trim levels and personal expressions. The standard Momentum trim level provides you with the poise and technology you need as a discerning driver. Maybe you want to

indulge your senses in the finest Swedish luxury? Then you'll feel at home with Inscription. Whatever you prefer, you can rest assured there's a Volvo S90 for you.

## THE RIGHT EQUIPMENT FOR YOUR DRIVE.

Choosing a Volvo S90 is easy. And now all you need to do is select the trim level that's right for you. Already our standard Momentum trim level will provide you with a high level of technology that will meet high demands on style, comfort and safety. For example, you can enjoy the control provided by our 8" Digital Driver Display and Sensus Connect with enhanced connectivity – such as the intuitive operation of our 9" center display with touchscreen and voice control – and the clear sound reproduction of our High Performance audio system. Our electronically-controlled dual-zone climate system ensures you and your passengers can enjoy a comfortable cabin climate in all temperatures – the driver and front seat passenger can adjust the temperature to suit individual preferences. And of course, you get our world-leading IntelliSafe technologies including the award-winning City Safety Collision Avoidance Technology, Lane Keeping Aid, Road Sign Information,

Run-off Road Mitigation, and IntelliSafe Assist with semi-autonomous driving technologies such as Adaptive Cruise Control and Pilot Assist as standard. Our signature headlights with LED illumination together with bright deco exterior design elements and stylish 18" or 19" alloy wheels will add to the exclusiveness of your S90. And for an even more powerful road presence, add our optional 19" 5-Triple Spoke Alloy Wheels. On the inside, aluminum tread plates welcome you every time you enter the cabin of your Volvo. The standard leather textile upholstery and Dark Flame Birch Wood Inlays further complement the interior ambience. A power adjustable 4-way lumbar support for the front seats, including vertical adjustment, makes it easy to optimize support to your needs. And when it's dark, the upgraded interior illumination enhances the luxurious feeling inside your S90.



1



2

3

4

### MOMENTUM

Includes:

**Exterior:**  
18" or 19" Alloy Wheels (depending on your choice of powertrain) | Automatically Dimmed Inner Rear-View Mirror | LED Headlights with Automatic Lever Adjuster | Visible Tailpipes in Chrome | Front Grill High Gloss Black with Chrome Frame | Fully Color Adapted Sills and Bumpers | Park Assist, Rear | Retractable Side-View Mirrors

**Interior:**  
4-Way Power Adjustable Lumbar Support, Front Seats | Comfort Seats with Leather Upholstery | Textile Floor Mats | CleanZone | Leather-Clad Steering Wheel | Dark Flame Birch Wood Inlays | Aluminum Tread Plates, Front and Rear | Power Front Seats

**Sensus:**  
8" (T5) and 12.3" (T6 and T8) Driver Display | 9" Center Display | High Performance Audio System | Sensus Navigation | Smartphone Integration with Apple CarPlay and Android Auto

**IntelliSafe:**  
City Safety | Pilot Assist Semi-Autonomous Drive with Adaptive Cruise Control | Lane Keeping Mitigation | Lane Departure Warning | Driver Alert Control | Road Sign Information | Run-off Road Mitigation



5

6

1. S90 Momentum with 19" wheels and dual visible chrome tailpipes. 2. Signature LED illumination, the high gloss black grill, bright deco exterior details contribute to a both powerful and elegant appearance. 3. Park Assist supports you when reversing and the chrome dual tailpipes give your S90 a more dynamic look (T5, Integrated T6) 4. The standard 12.3" Digital Driver Display (T6, Optional in T5) allows you to choose between different visual appearances. To provide optimum visibility, the display's brightness automatically adapts to exterior light conditions. 5. Sensus Connect includes the large 9" Sensus Touchscreen, voice control, USB inputs, Sensus Navigation and our 330W High Performance audio system with 10 speakers and Bluetooth® audio streaming. 6. The power-operated Laminated Panoramic Moonroof comes standard to let in fresh air and/or natural light.



019  
Black Stone



707  
Crystal White Metallic



711  
Bright Silver Metallic



714  
Osmium Grey Metallic



717  
Onyx Black Metallic



719  
Luminous Sand Metallic



721  
Mussel Blue Metallic



722  
Maple Brown Metallic



18" 5-Double Spoke,  
Silver Bright, 149  
(Standard T5)



18" 10-Spoke,  
Turbine Silver Bright, 154  
(Standard T6)



19" 5-Triple Spoke,  
Tech Matte Black Diamond Cut, 498  
(Standard T8, Optional T5 and T6)



1



2



3



4

### MOMENTUM

Providing a wide range of exterior colors and wheels, the Volvo S90 allows you to create a Volvo that's really you. Elegant 18" or 19" Alloy Wheels in Silver finish come standard (depending on powertrain).

The exterior color you choose has a dramatic impact on the personality of your S90. Available in different variations, each color imbues your Volvo with a sense of luxury and presence.

**UPHOLSTERIES** Comfort Seat (Standard) **1.** Charcoal in Charcoal Interior, RA00 **2.** Amber in Charcoal Interior, RA20 **3.** Blond Leather in Blond/Charcoal Interior, UA00 **4.** Dark Flame Birch Wood Inlay, 458 (Standard)

## Inscription

### A HIGHER GRADE OF LUXURY.

We created the exclusive S90 Inscription to meet your highest expectations of Swedish luxury. It's a highly personal expression that evokes a strong sense of elegant refinement. Each detail is carefully selected to give you and your passengers a sophisticated and invigorating experience. Distinguished exterior design cues enhance the luxurious look and feel of the S90, while the

meticulously crafted interior gives you ample room for a relaxed driving experience. The S90 Inscription epitomizes our proud heritage of human-centric design. And when it comes to intelligent luxury imbued with distinctive style and fresh thinking, the S90 Inscription is in a class of its own.

## INSCRIPTION

Includes Momentum trim level features in addition to:

**Exterior:**  
19" Alloy Wheels | Bright Deco Exterior, Front | Bright Deco Exterior, Rear | Bright Deco Molding with Embossed Inscription Logotype, Side | Dual Integrated Tailpipes | Foglights in Front Spoiler | Color Coordinated Door Handles with Bright Deco

**Interior:**  
12.3" Digital Driver Display | Comfort Seats with Fine Nappa Leather Upholstery | Drive Mode Settings | Inscription Mats, Front and Rear | Illuminated Metal Tread Plates | Interior High Level Illumination | Leather Key Remote | Linear Walnut Wood Decor Inlays | Power Driver Seat with Memory Function for Seat and Side Mirrors | Power Passenger Seat | Rear Center Armrest with Cup Holders and Storage

**T6 AWD | Inscription**  
721 Mussel Blue Metallic | 20" 8-Spoke  
Silver Diamond Cut Alloy Wheels, 214







1



2



3



4



5



6

## INSCRIPTION

The highly sophisticated S90 Inscription expresses contemporary luxury. Instantly recognizable thanks to its distinctive chrome-finish grill and lower door bright deco molding, this expression sets the S90 apart thanks to a number of well-judged exterior design cues that correspond with the car's timeless Scandinavian design. The 10-Spoke Silver Diamond Cut wheels harmonize perfectly with the metal finish of the bright deco body inlays. Together with the elegant dual integrated tailpipes, the wheels also contribute to the car's confident stance. Our signature LED illumination contributes to both a strong visual identity and excellent vision in the dark. And for an even better and uninterrupted light pattern, our advanced Full-LED Active High Beam illumination technology improves visibility.

Every time you open the door, the Inscription tread plates provide an illuminated welcome. The luxurious theme continues with authentic, finely crafted materials that create a lounge-like atmosphere of sumptuous well-being. You and your passengers can lean back in sculpted power-operated Comfort Seats with Fine Nappa Leather

Upholstery. Decor inlays in exclusive Linear Walnut, Inscription floor mats and our most advanced ambience interior illumination add to the rewarding Inscription experience. And for you as driver, the large 12.3" Digital Driver Display and convenient drive mode settings in the console between the front seats add to your feeling of being in command. And to enhance your driving experience, our optional Active chassis with rear air suspension optimizes comfort and handling – select between three different chassis settings with the Drive Mode control.

For an even higher level of comfort, you can complement the ventilated front seats with massage functions. The four-zone climate control allows both the driver and the front seat passenger as well as the outer rear passengers to set their individual cabin temperature. And turning your S90 into a concert hall, our optional high-end audio system Bowers & Wilkins brings exceptional clarity and realism to your music, wherever you're seated.

1. Small details make Inscription, such as the high-gloss chrome frames around the door handles. 2. Inscription front grill in elegant chrome finish and the signature headlights with LED illumination. 3. The power-operated Comfort Seats with Fine Nappa Leather upholstery and the exclusive Linear Walnut genuine wood decor inlays add to the sensory experience of contemporary luxury. 4. The lower door bright deco molding with Inscription logotype. 5. The intuitive 12.3" Driver Display with four graphic modes and the 9" Sensus Touchscreen puts you in the center of action. 6. Dual integrated tailpipes and bright decor trim add to an elegant and powerful impression. 7. Drive mode scroll wheel in diamond patterned metal finish and the Linear Walnut Wood decor inlay. 8. The Inscription Key Fob in the same color as the Fine Nappa Leather upholstery in your S90 Inscription – an excellent example of thoughtful Scandinavian craftsmanship and clean design.



7



8



**019**  
Black Stone



**707**  
Crystal White Metallic



**711**  
Bright Silver Metallic



**714**  
Osmium Grey Metallic



**717**  
Onyx Black Metallic



**719**  
Luminous Sand Metallic



**721**  
Mussel Blue Metallic



**722**  
Maple Brown Metallic



**19" 10-Spoke,**  
Silver Diamond Cut, 150  
(Standard)



**20" 8-Spoke,**  
Silver Diamond Cut, 214  
(Optional T6)



**20" 10-Spoke,**  
Silver Diamond Cut, 1030  
(Optional T8)



1



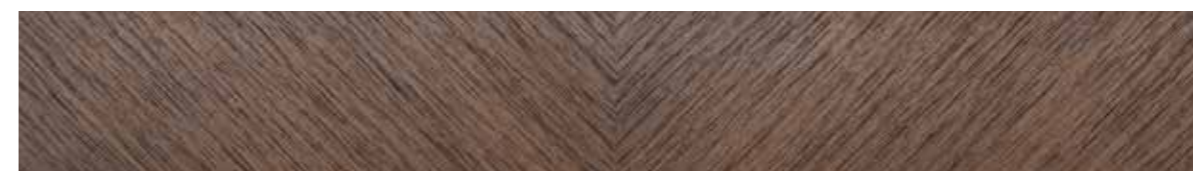
2



3



4



5

## INSCRIPTION

The S90 Inscription exterior with its subtle jewelry touches is a timeless expression of classical Scandinavian design. The exterior color palette allows you to create the S90 Inscription that best reflects your style and preferences. Available in distinctive diamond cut design, the 19" or 20" wheels connect visually with the exterior design cues to create a harmonic impression of contemporary elegance.

**UPHOLSTERIES** Fine Nappa Leather, Comfort Seat (Standard) **1.** Charcoal in Charcoal Interior, RC00 **2.** Maroon Brown in Charcoal Interior, RC30 **3.** Amber in Charcoal Interior, RC20 **4.** Blond in Blond/Charcoal Interior and Charcoal base carpets and mats, UC00 **5.** Linear Walnut Wood Inlays, 315 (Standard)

## DESIGNED FOR YOUR LIFE.

Create an S90 that's perfect for your life, with Volvo accessories that are designed around you and your car.

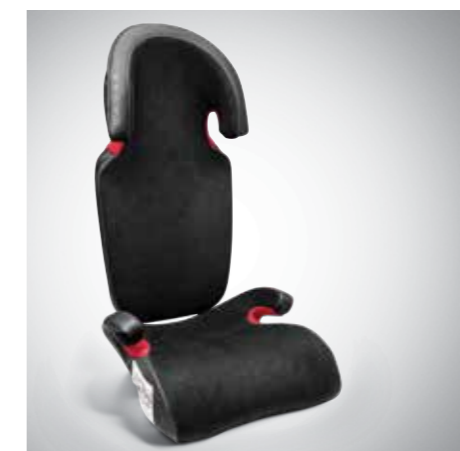
Choose either the trunk lid spoiler or the dual integrated split tailpipes. Designed to perfectly complement the S90, the exterior styling options allow you to create an individual look.

The trunk lid spoiler makes the S90 look even more dynamic when viewed from the rear or side.

At the rear, dual integrated split tailpipes give the car a powerful presence. These replace the standard round tailpipes on T5 Momentum models. A body-colored rear diffuser with an elegant chrome strip creates an impression that the tailpipes and diffuser

are combined together into one luxurious unit.

The Red Key Fob allows your car to be driven safely and responsibly even when someone else is driving it. Our new Booster Cushion and Back Rest combine comfort with state-of-the-art safety, and are designed to fit perfectly into your Volvo. Made from Wooltextile, which is 80% wool, they're durable and tough but also soft and breathable, so your children stay comfortable and safe. Our new Booster cushion in genuine leather and soft Nubuck Textile with adjustable backrest allows a child to travel in comfort, safely restrained by the car's seat belt.



1. DVD Player, rear seat. 2. Media Server and iPad® holder, rear seat. 3. Red Key Fob, key for car owners who want the car to be driven responsibly. 4. Child seat, booster cushion with backrest, Leather/Nubuck Textile. 5. Floor mats, molded plastic.

## BUILT TO WORK.

Make the S90 work for you with Volvo Cars' range of exterior accessories, designed to look good and work flawlessly.

Take advantage of our range of roof-mounted accessories by adding our low-profile load carriers. Easy to fit onto the car's prepared mounts, they instantly allow you to fit our load carrier accessories, from the ski rack to the canoe holder. Our lightweight roof box fits straight onto the load carriers, adding 12 cu-ft to the car's carrying capacity. Ideally suited to carrying skis (and capable of carrying up to six pairs), its Quick-grip mountings allow you to fit the roof box

easily and conveniently. Neat touches such as LED lighting in the lid help you load in the dark. A set of Volvo-designed mud flaps deflect road grime and dirt from the car's bodywork and reduce the effects of spray on following traffic. Made from soft plastic, they are tough enough to withstand everyday use and flexible enough to bend, not break.

Your Volvo Cars retailer can also offer a wide range of winter wheels for safe driving during the wet and cold season.



1



2



3



4



5



6



7



8

1. Roof box designed by Volvo Cars. 2. Plastic mat, cargo compartment. 3. Textile mat with load protection, cargo compartment.

4. Personalized Key Fob, Linear Walnut Wood Inlays. 5. Illuminated sill moldings. 6. Mud flaps, front. 7. Load carriers. 8. Trunk lid spoiler.

polestar

## POLESTAR ENGINEERED OPTIMIZATIONS.

Polestar engineers have taken a holistic approach to form a complete software solution that takes your driving to a new level. Five key functions have been optimized to provide faster response, better balance and more intuitive driving. This results in a car that responds quickly and predictably, which is important for those who engage in active driving, whether on the racetrack or on the road. This software upgrade is available through your local Retailer upon request.

### Throttle Response

Throttle response has been recalibrated to provide improved feedback and accelerator reaction – ideal for overtaking or during active driving on a twisting road.

### Off Throttle Response

The engine and gearbox have been calibrated to provide faster responses when the driver suddenly releases the throttle, providing improved predictability and control.

### Gearshift Speed

Shift speed has been increased, allowing the car to accelerate faster and react more directly to driver input.

### Gearshift Precision and Gear Hold

Gearshift has been optimized to provide a more precise driving experience with faster acceleration. Gearshift points have been calibrated to utilize the optimized mid-range engine performance, while the gear hold function maintains the same gear when cornering with high lateral g-force.

### Engine Performance

All Drive-E optimizations are made to provide greater performance in the engine's mid-range powerband – perfect for the sporty driver when overtaking, joining a highway or exiting a corner.



## SENSUS

### SENSUS OPTIONS.

Sensus Connect comes with a host of features as standard: there's voice control, our High Performance audio system, an eye-catching 9" Sensus Touchscreen and our 8" Digital Driver Display. And if you'd like to enhance your experience, there's a wealth of options. For example, you can access selected apps and functions in your smartphone via the center display using Smartphone Integration.

Then, there's Sensus Navigation and the head-up display: together, they make navigating easy and intuitive. And Volvo On Call not only includes a WiFi hotspot and a SIM-card slot, so you can go online via the car's roof aerial – it also lets you interact with your car using a smartphone app, while giving you direct access to emergency support.

### SENSUS CONNECT WITH HIGH PERFORMANCE AUDIO SYSTEM

Includes the following standard features:

- 8" Digital Driver Display (T5), 12.3" Digital Driver Display (T6 and T8)
- 9" Sensus Touchscreen
- Bluetooth® audio streaming
- USB inputs
- Voice control
- Steering wheel controls
- Tethering via WiFi or Bluetooth®
- High Performance audio system (330W, 10 speakers)
- Internet radio via apps
- Volvo On Call with Engine Remote Start 4-Year Complimentary Subscription

In addition, a digital owner's manual and connected service booking are included.

The following apps will be standard:

(Trial period of 6 months or 3 GB data limit included)

- Pandora
- Spotify
- TuneIn (Internet Radio)
- Park & Pay
- Local Search (powered by Google now)
- Yelp
- Weather
- Glympse
- Record & Send
- Volvo ID (Send To Car)
- WikiLocations

For more information, please contact your Volvo Cars dealer.

### SENSUS CONNECT OPTIONS

In addition, the following options are available:

- 12.3" Digital Driver Display (T5)
- Head-up display

For more information please see: [www.apple.com/ios/carplay/](http://www.apple.com/ios/carplay/) or [www.android.com/auto/](http://www.android.com/auto/)

Apple CarPlay and CarPlay are trademarks of Apple Inc. Android Auto is a trademark of Google Inc.

### BOWERS & WILKINS

Our top-of-the-line audio system, developed exclusively for your S90 together with the renowned high-end audio manufacturer Bowers & Wilkins:

- 12-channel 1400 W Class D amplifier
- 19 Bowers & Wilkins speakers, including a subwoofer
- Quantum Logic Surround sound system
- Dirac Dimensions room transformation technology with three room modes: Concert, Studio and Stage
- Dirac Live sound enhancement technology
- Stainless steel tweeter panels

## INTELLISAFE

### INTELLISAFE OPTIONS.

Your Volvo S90 comes with comprehensive IntelliSafe technologies as standard, including all the safety you'd expect from a Volvo and more. You'll also get City Safety, which encompasses technologies designed to help avoid collisions with other vehicles, pedestrians, cyclists and large animals. City Safety can also auto brake if you're about to turn into the path of an oncoming car in an intersection.

Also included is IntelliSafe Assist that supports your driving with semi-autonomous driving technologies such as Adaptive Cruise Control and Pilot Assist.

Add IntelliSafe Surround, and you'll get the benefit of technology that alerts you to vehicles approaching in your blind spot or from behind for your safety and confidence.

### INTELLISAFE STANDARD

Includes:

- Pilot Assist- Semi-Autonomous Drive System with Adaptive Cruise Control Electronic Stability Control
- Blind Spot Information System (BLIS) & Cross Traffic Alert
- Electronic Stability Control
- Rear Collision Warning with braking at standstill
- Driver Alert Control
- Road Sign Information
- Lane Keeping Aid
- Automatic braking after a collision
- City Safety™ (Vehicle detection, Pedestrian and cyclist detection, Autobrake at intersection, Large animal detection)
- Safety cage
- Seat belts with reminders and pretensioners for all seats
- Front, Side & Curtain Airbags; Driver Side Knee Airbag
- Brake pedal release
- WHIPS™ – Whiplash Injury Protection System
- Run-off Road Mitigation
- Run-off Road Protection
- SIPS™ – Side Impact Protection System

### INTELLISAFE OPTIONS

Single Options – Driver Assistance, Convenience and Child Safety Features – that Can Be Added to All IntelliSafe Offers:

- 360° Surround View Camera
- Park Assist Pilot & Front Park Assist



# VOLVO OVERSEAS DELIVERY

## THE EXPERIENCE BEGINS IN SWEDEN

**Volvo Overseas Delivery** is a unique program that gives you an exciting opportunity to pick up your new Volvo from our state-of-the-art factory in Gothenburg, Sweden. But that's just the beginning.

### THE TRIP INCLUDES:

- A savings off of the US base MSRP, which varies by Model
- Opportunity to personalize your new Volvo\*
- Complete travel packages for Sweden and/or Europe via our travel concierge, who can help you personalize your adventure
- Two round-trip plane tickets to Gothenburg, Sweden via SAS/Plus economy seating (including private transport upon arrival)
- One overnight stay at a first-class hotel (including dinner at a Michelin-starred restaurant)
- Premium delivery at Factory Delivery Center (including private transport and lunch)
- Guided tour of the Volvo factory
- A visit to the Volvo Museum and/or the Volvo Cars Brand Experience Center
- European car insurance (including Volvo Roadside Assistance and Global warranty coverage) for two weeks\*\*
- Home shipment of your new Volvo



**T6 AWD | V90 Cross Country**  
714 Osmium Grey Metallic | 20" 10-Spoke Tech Matte  
Black Diamond Cut Alloy Wheels, 226



**V90 Cross Country**  
Interior | Charcoal in Charcoal Interior (European Spec Shown) |  
Iron Ore Aluminum Inlay, 437

Your adventure begins in Volvo's hometown of Gothenburg, located on Sweden's scenic west coast. Here, you will pick up your new Volvo in person as it rolls out of the factory gate. You will then have the chance to explore the world of Volvo, where you will learn all about the unique culture that inspired the elements of your car.

With Volvo Overseas Delivery, you can custom build and personalize\* your new Volvo before taking a once-in-a-lifetime trip to pick it up in the country that built and inspired it. Volvo Overseas Delivery delivers a car that is truly designed around you.

**Please note:** Changes in the order of your day's schedule may occur.

If you would like to know more about Overseas Delivery, contact your local Volvo Cars Retailer, the Customer Care Center at (800) 631-1667, or visit <http://volvocars.com/us/osd>

\* Personalization is based on market requirements and specifications. All options / packages and accessories must be US Market-specific.  
\*\* Global Warranty coverage remains in effect until your vehicle returns to the states and is registered with Volvo US.

**T6 AWD | V90 R-Design**  
720 Bursting Blue Metallic | 19" 5-Double Spoke Glossy  
Black Diamond Cut Alloy Wheels, 224





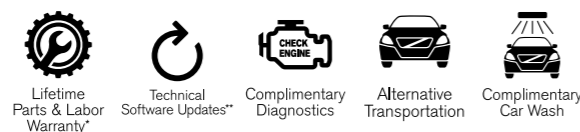
## Service By Volvo

Taking care of you and your Volvo is our top priority. With a unique approach to service that's personal, professional and efficient, we get you everything you need in the simplest way possible. To make your life less complicated.

Knowing your vehicle is always up to our highest standards for as long as you own it – that's the driving force behind Service by Volvo. To help you get the most out of your Volvo, we'll ensure each service or maintenance provides peak conditioning through our expertly trained technicians, field-tested repair methods, and precision-engineered genuine parts. That's because we focus on our promises to service your car and simplify your life.

### OUR SERVICE BY VOLVO PROMISES

When you have your car serviced at an authorized Volvo dealer, we promise to provide you with a premium ownership experience for the life of your vehicle. Enjoy our Lifetime Parts and Labor Warranty,\* so you pay only once, knowing your car is always up to our highest standards. Technical software updates\*\* and more. No sign-up required.



\* Excludes consumable parts due to normal wear. See dealer for details. Non-transferable.

\*\* New software required as part of a repair or accessory installation is not included.

# The most carefree way to own a car. EVER.

## LEASING OPTIONS

### FLEXIBLE TERMS

Leasing is available for terms as short as 24 months or up to 48 months. You can drive a new Volvo car every few years while within the manufacturer warranty and maintenance plans, and without the burden of negotiating trade-in values.

### CHOICE OF MILEAGE PLANS

The standard mileage option allows up to 15,000 miles per year; however, several other mileage plans are available to tailor to your commuting needs. Under the low mileage plan options are available as low as 7,500 miles per year, and we also offer a high mileage plan with options as high as 30,000 miles per year.

### SINGLE PAYMENT LEASE

A single payment lease provides convenience and savings. You make only one payment, one time, freeing you from monthly payments. It permits you to prepay all monthly payments in a single payment at lease signing. This single total lease payment is less than the amount you would pay over the term of a conventional lease.

### MULTIPLE SECURITY DEPOSIT LEASE\*

A multiple security deposit lease allows you to place a lump sum refundable security deposit at lease inception, which reduces your monthly rent charge, resulting in substantial savings over the term of the lease. The additional security deposits are refunded to you at the end of the lease term. \* Multiple Security Deposit Lease is not available in NY.

### BUSINESS LEASE

Under our business lease option, owners have the flexibility to lease the vehicle as the business.

### GUARANTEED AUTO PROTECTION (GAP) WAIVER

Our GAP Waiver is included in your lease agreement at no additional cost to you. It is provided to give you peace of mind. If your leased Volvo car is declared a total loss due to theft, accident, or natural disaster, we will cover the difference between the insurance proceeds and the balance owed to Volvo Car Financial Services less any deductible.

### EXCESS WEAR AND USE PROTECTION PLAN \*\*

As a part of everyday driving, normal wear and use can be expected. However, when turning in your leased vehicle, you may be responsible for any excess wear and use damage; therefore, Volvo Car Financial Services offers an optional plan to protect you and your car from unexpected occurrences that happen from nature and chance.

\*\* Excess Wear and Use Protection Plan is optional and not available in AK, NM, NY, TX, UT and VT.

## SPECIAL PROGRAMS

### COLLEGE GRADUATE PROGRAM

You've worked hard to earn your degree. Now the Volvo Graduate Program can make it easy for you to drive a Volvo car. With flexible and competitive financing options available for graduates, Volvo Car Financial Services can help you to step into the luxury of driving a Volvo car with only a 5% down payment upon credit approval.

### INTERNATIONAL STUDENT PROGRAM

The International Student Program is the easiest way to acquire a vehicle while studying in the US, only from Volvo. Instead of purchasing a car outright, make one easy, upfront payment and drive a brand new Volvo during your school term. After graduation, drop the car off at your local Volvo retailer. No hassles. You'll only pay for the portion of the car you use. It's as simple as that. Visit [www.volvocarsforstudents.com](http://www.volvocarsforstudents.com) for program details.

### VOLVO MOBILITY PROGRAM

The goal of the Volvo Mobility Program is to assist persons with physical disabilities or hearing impairment. For those with exceptional transportation needs, this can be facilitated within the extraordinary comfort and safety of a specially adapted Volvo car. For additional information on this program, please contact **Mobility by Volvo Customer Care at 1-800-550-5658**.

### PERSONAL SHOPPER

The Volvo Personal Shopper is dedicated to providing you with a whole new level of shopping convenience. Whether you'd like help identifying the Volvo model that best fits your lifestyle, detailed information on any Volvo model, or a comparison against the competition, Volvo is there to help. We can arrange a Guest Drive for you at your nearest Volvo Retailer. So make the most of your shopping time and call the **Volvo Personal Shopper at 1-800-550-5658**.

## SERVICE AND WARRANTY

### VOLVO ROADSIDE ASSISTANCE

Whenever you need us, we're just a phone call away. Our nationwide network of retailers and authorized service providers are ready to assist. Whether you require roadside assistance or maps and routing information for your next trip, refer to your Volvo Roadside Assistance card and dial **1-800-63-VOLVO** at any time. Your complimentary four-year membership activates the moment you become a Volvo owner. A connection to Volvo Roadside Assistance/US is available through your App Store.

## VOLVO NEW CAR WARRANTY

Your new-car warranty provides comprehensive coverage for four years or 50,000 miles, whichever occurs first. Additional warranties cover corrosion, seat belts, the supplemental restraint system, hybrid components, emission systems, genuine Volvo car replacement parts and genuine Volvo accessories. Should you encounter any problem with your Volvo car, simply contact the nearest retailer for assistance. Where your warranty ends, Volvo Increased Protection (VIP) plans begin. To purchase the additional protection of a VIP plan, contact your local retailer.

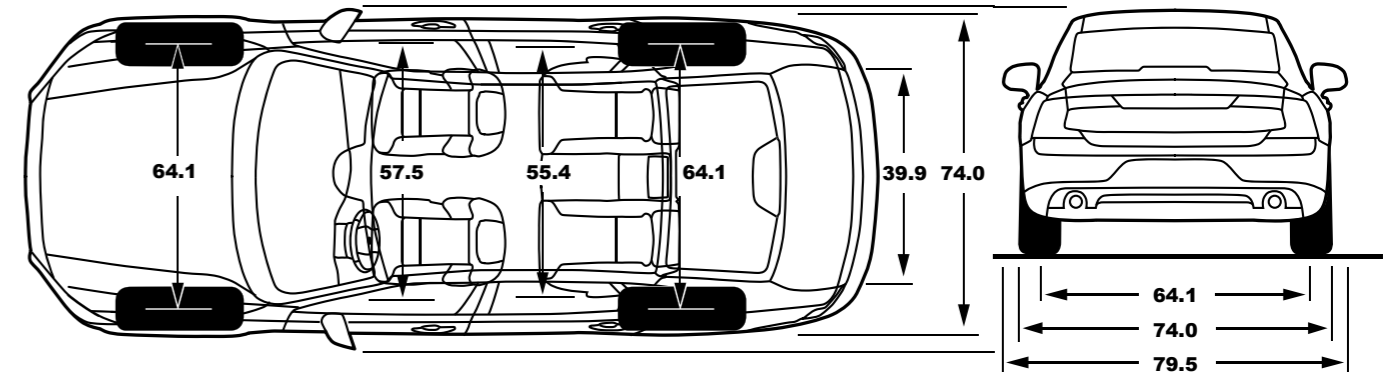
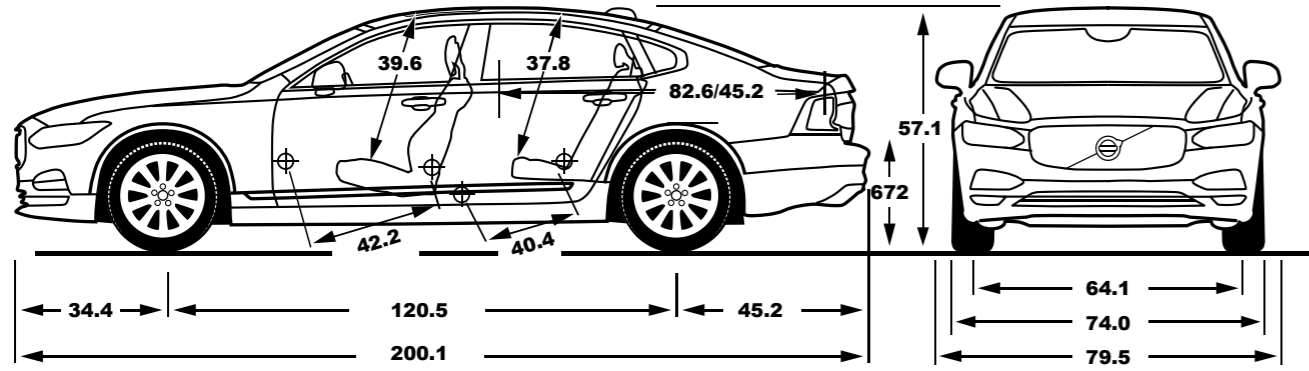
## COMPLIMENTARY FACTORY SCHEDULED MAINTENANCE

Volvo Cars is committed to a premium ownership experience for its customers. To further enhance your ownership experience, all 2018 model year Volvo Cars sold in the United States will include Complimentary Factory Scheduled Maintenance. This program provides scheduled maintenance coverage for the first three years or 36,000 miles, whichever occurs first, and is designed to complement your Volvo warranty, helping ensure trouble-free operation of your Volvo. Coverage includes factory-recommended maintenance including oil and filter changes, checks and adjustments as listed in your Warranty and Maintenance Records Information booklet, for the first three maintenance services at intervals of 10,000, 20,000 and 30,000 miles.

Each service must be performed within 1,500 miles before or after each scheduled interval. Coverage is limited to scheduled maintenance items listed in the 2018 model year Warranty and Maintenance Records Information booklet. An authorized retailer must perform maintenance. Offer is transferable. Optional Prepaid Maintenance Plan upgrades are also available that will allow you to customize coverage to meet your driving needs. See your Volvo retailer for details.

## FINANCE OPTIONS

Volvo Car Financial Services (VCFS) offers affordable and competitive financing on new and Volvo Certified Pre-Owned cars. Our low rates and flexible terms can get you behind the wheel of the Volvo you want to drive with finance terms up to 75 months. Volvo Car Financial Services also offers financing on vehicles purchased under the Overseas Delivery Program.



Vehicle Specification:

	T5 FWD	T5 AWD
Engine:	2.0L, Inline 4-cylinder, Turbocharged	2.0L, Inline 4-cylinder, Turbocharged
Horsepower at rpm:	250 hp @ 5,500 rpm	250 hp @ 5,500 rpm
Acceleration 0-60mph:	6.9	7.2
Top Speed mph:	130	130
Max Torque lb-ft at rpm:	258 lb-ft @ 1,500-4,800 rpm	258 lb-ft @ 1,500-4,800 rpm
Transmission:	8 - Speed Automatic Geartronic	8 - Speed Automatic Geartronic
Fuel Economy, Highway/City/Combined:	24 / 34 / 27	23 / 32 / 27
Fuel Tank Capacity:	14.5 gallons	15.9 gallons
Cargo Space, Max (cu ft):	13.5	13.5
Exterior Length/Width/Height (inches):	200.1 / 79.5 / 57.1	200.1 / 79.5 / 57.1
Interior Headroom w. Panoramic Moonroof (Front/Rear):	37.8 / 37.8	37.8 / 37.8
Interior Legroom (Front/Rear):	42.2 / 40.4	42.2 / 40.4
Seating Capacity:	5	5

Vehicle Specification:

	T6 AWD	T8 eAWD Plug-In Hybrid
Engine:	"2.0L Inline 4-cylinder, Supercharged & Turbocharged"	2.0L Inline 4-cylinder, Supercharged & Turbocharged with Electric Motor
Horsepower at rpm:	316 hp @ 5,700 rpm	"400 hp (313 +87) Combined @ 6,000 rpm Combined"
Acceleration 0-60mph:	6.0	TBD
Top Speed mph:	130	130
Max Torque lb-ft at rpm:	295 lb-ft @ 2,200 - 5,400 rpm	"472 lb-ft (295+177) Combined 2,200 - 5,400 rpm Combined"
Transmission:	8 - Speed Automatic Geartronic	8 - Speed Automatic Geartronic
Fuel Economy, Highway/City/Combined:	21 / 31 / 25	TBD
Fuel Tank Capacity:	15.9 gallons	13.2 gallons
Cargo Space, Max (cu ft):	13.5	13.5
Exterior Length/Width/Height (inches):	200.1 / 79.5 / 57.1	200.1 / 79.5 / 57.1
Interior Headroom w. Panoramic Moonroof (Front/Rear):	37.8 / 37.8	37.8 / 37.8
Interior Legroom (Front/Rear):	42.2 / 40.4	42.2 / 40.4
Seating Capacity:	5	5

**NB.** The engine program may vary from country to country. All technical data may be subject to change. Please talk to your Volvo Car dealer for the latest information.

**Please note:** Some of the information in this brochure may be incorrect due to changes in product specifications that may have occurred since printing. Some of the equipment described or shown may now only be available at extra cost. Before ordering, please ask your Volvo Cars dealer for the latest information. The manufacturer reserves the right to make changes at any time and without notice to prices, colors, materials, specifications and models.

**V O L V O**

**MODEL YEAR 2018 | VOLVOCARS.US**

Specifications, features, and equipment shown in this catalog are based upon the latest information available at the time of publication. Some models shown with European specifications. Volvo Car USA, LLC reserves the right to make changes at any time, without notice, to colors, specifications, accessories, materials, and models. For additional information, please contact your authorized Volvo Cars retailer. © 2017 Volvo Car USA, LLC. Printed in USA. **MY18**