

S P E C I F I C A T I O N P R O P O S A L

Description	Weight Front	Weight Rear
➤ Vehicle Configuration		
➤ WESTERN STAR 4900SA CHASSIS	9,674	6,846
➤ 2018 MODEL YEAR SPECIFIED		
➤ SET BACK AXLE - TRUCK	-10	
➤ TRAILER TOWING PROVISION AT END OF FRAME FOR TRUCK	10	10
➤ LH PRIMARY STEERING LOCATION		
➤ General Service		
➤ TRUCK/TRAILER CONFIGURATION		
➤ DOMICILED, CANADA (OTHER THAN QUEBEC)		
➤ CONSTRUCTION SERVICE		
➤ DIRT/SAND/ROCK COMMODITY		
➤ TERRAIN/DUTY: 100% (ALL) OF THE TIME, IN TRANSIT, IS SPENT ON PAVED ROADS		
➤ MAXIMUM 8% EXPECTED GRADE		
➤ SMOOTH CONCRETE OR ASPHALT PAVEMENT - MOST SEVERE IN-TRANSIT (BETWEEN SITES) ROAD SURFACE		
➤ WESTERN STAR VOCATIONAL WARRANTY		
➤ EXPECTED FRONT AXLE(S) LOAD : 20000.0 lbs		
➤ EXPECTED REAR DRIVE AXLE(S) LOAD : 40000.0 lbs		
➤ EXPECTED PUSHER AXLE(S) LOAD : 20000.0 lbs		
➤ EXPECTED GROSS VEHICLE WEIGHT CAPACITY : 80000.0 lbs		
➤ EXPECTED GROSS COMBINATION WEIGHT : 110000.0 lbs		
➤ Tractor Service		
➤ SINGLE (1) TRAILER		
➤ Engine		
➤ DETROIT DD15 14.8L 505 HP @ 1625 RPM, 1900 GOV RPM, 1750 LB/FT @ 975 RPM		
➤ Electronic Parameters		
➤ 65 MPH ROAD SPEED LIMIT		
➤ CRUISE CONTROL SPEED LIMIT SAME AS ROAD SPEED LIMIT, WITH AUTO RESUME AFTER SHIFT		
➤ PTO MODE ENGINE RPM LIMIT - 900 RPM		
➤ PTO MODE BRAKE OVERRIDE - SERVICE BRAKE APPLIED OR PARK BRAKE NOT APPLIED		
➤ PTO RPM WITH CRUISE SET SWITCH - 600 RPM		
➤ PTO RPM WITH CRUISE RESUME SWITCH - 600 RPM		
➤ ENABLE REGENERATION IN PTO MODE		
➤ ONE REMOTE PTO SPEED		

Stock 4900 18 spd US Blue



Description	Weight Front	Weight Rear
➤ REMOTE PTO SPEED 1 SETTING - 900 RPM		
➤ SOFT CRUISE CONTROL ENABLED		
➤ PTO MINIMUM RPM - 600		
➤ ENABLE DPF REGEN ZONE 1		
➤ Engine Equipment		
➤ 2016 ONBOARD DIAGNOSTICS/2010 EPA/CARB/FINAL GHG17 CONFIGURATION		
➤ 2008 CARB EMISSION CERTIFICATION - CLEAN IDLE (INCLUDES 6X4 INCH LABEL ON LOWER FORWARD CORNER OF DRIVER DOOR)		
➤ DUAL POLISHED STAINLESS STEEL 13 INCH DONALDSON COWL MOUNTED 1-STAGE AIR CLEANERS WITH POLISHED STAINLESS STEEL BANDS	40	
➤ DR 12V 160 AMP 28-SI QUADRAMOUNT PAD ALTERNATOR WITH REMOTE BATTERY VOLT SENSE		
➤ (4) ALLIANCE MODEL 1231, GROUP 31, 12 VOLT MAINTENANCE FREE 4400 CCA THREADED STUD BATTERIES	50	10
➤ STACK BATTERY BOX		
➤ SINGLE BATTERY BOX FRAME MOUNTED LH SIDE UNDER CAB		
➤ WIRE GROUND RETURN FOR BATTERY CABLES WITH ADDITIONAL FRAME GROUND RETURN		
➤ NON-POLISHED BATTERY BOX COVER		
➤ EATON FULLER ECA CLUTCH	30	
➤ ZERK FITTING WITH EXTENSION HOSE AT CLUTCH RELEASE BEARING		
➤ BW MODEL BA-921 19.0 CFM SINGLE CYLINDER AIR COMPRESSOR WITH SAFETY VALVE		
➤ ELECTRONIC ENGINE INTEGRAL SHUTDOWN PROTECTION SYSTEM		
➤ JACOBS COMPRESSION BRAKE		
➤ RH OUTBOARD UNDER STEP MOUNTED HORIZONTAL AFTERTREATMENT SYSTEM ASSEMBLY WITH DUAL CAB MOUNTED VERTICAL TAILPIPES	55	33
➤ ENGINE AFTERTREATMENT DEVICE, AUTOMATIC OVER THE ROAD REGENERATION AND DASH MOUNTED REGENERATION REQUEST SWITCH		
➤ 12 FOOT 06 INCH (150 INCH+0/-5.9 INCH) EXHAUST SYSTEM HEIGHT		
➤ STANDARD CURVE BRIGHT UPPER STACK(S) AND ELBOW(S)		
➤ DUAL CURVED VERTICAL TAILPIPES B-PILLAR MOUNTED		
➤ 23 GALLON DIESEL EXHAUST FLUID TANK		
➤ NON-POLISHED ALUMINUM DIESEL EXHAUST FLUID TANK COVER		



Description	Weight Front	Weight Rear
➤ OVAL PERFORATED DUAL STAINLESS STEEL MUFFLER/TAILOPIPE SHIELDS WITH WESTERN STAR LOGO		
➤ BORG WARNER (KYSOR) REAR AIR ON/OFF ENGINE FAN CLUTCH		
➤ AUTOMATIC FAN CONTROL WITH DASH SWITCH AND INDICATOR LIGHT, NON ENGINE MOUNTED		
➤ DDC SUPPLIED ENGINE MOUNTED FUEL FILTER/FUEL WATER SEPARATOR WITH WATER-IN-FUEL INDICATOR		
➤ FULL FLOW OIL FILTER		
➤ 1500 SQUARE INCH ALUMINUM RADIATOR	-130	
➤ ANTIFREEZE TO -34F, OAT (NITRITE AND SILICATE FREE) EXTENDED LIFE COOLANT		
➤ GATES BLUE STRIPE COOLANT HOSES OR EQUIVALENT		
➤ CONSTANT TENSION HOSE CLAMPS FOR COOLANT HOSES		
➤ HDEP FIXED RATIO COOLANT PUMP AND RADIATOR DRAIN VALVE		
➤ PHILLIPS-TEMRO 1500 WATT/115 VOLT BLOCK HEATER	4	
➤ CHROME ENGINE HEATER RECEPTACLE MOUNTED UNDER LH DOOR		
➤ DELCO 12V MOD 3.175-39MT+ OCP STARTER WITH THERMAL PROTECTION AND INTEGRATED MAGNETIC SWITCH		
➤ CAST IRON FRONT AND REAR ENGINE SUPPORTS		
➤ Transmission		
➤ EATON FULLER FO-18E318B-MXP ULTRASHIFT PLUS TRANSMISSION	160	70
➤ Transmission Equipment		
➤ VEHICLE INTERFACE WIRING WITH BODY BUILDER BLUNT CUT WIRE INTERFACE AT BACK OF CAB		
➤ ELECTRONIC TRANSMISSION CUSTOMER ACCESS CONNECTOR FIREWALL MOUNTED		
➤ ALUMINUM CLUTCH HOUSING	-50	
➤ PTO MOUNTING, BOTTOM OF MAIN TRANSMISSION		
➤ PUSH BUTTON ELECTRONIC SHIFT CONTROL, DASH MOUNTED		
➤ WATER TO OIL TRANSMISSION COOLER, IN RADIATOR END TANK		
➤ SYNTHETIC TRANSMISSION LUBE		
➤ Front Axle and Equipment		
➤ MFS-20-133A 20,000# FL1 71.0 INCH KPI/3.74 INCH DROP SINGLE FRONT AXLE	150	
➤ MERITOR 16.5X6 Q+ CAST SPIDER CAM FRONT BRAKES, DOUBLE ANCHOR, FABRICATED SHOES	20	
➤ NON-ASBESTOS FRONT BRAKE LINING		

Stock 4900 18 spd US Blue



Description	Weight Front	Weight Rear
➤ CONMET CAST IRON FRONT BRAKE DRUMS		
➤ FRONT BRAKE DUST SHIELDS	5	
➤ MERITOR AUTOMATIC FRONT SLACK ADJUSTERS		
➤ TRW THP-60 POWER STEERING WITH RCH45 AUXILIARY GEAR	130	
➤ 4 QUART POWER STEERING RESERVOIR		
➤ OIL/AIR POWER STEERING COOLER		
➤ SYNTHETIC 75W-90 FRONT AXLE LUBE		
➤ Front Suspension		
➤ 20,000# FLAT LEAF FRONT SUSPENSION	305	
➤ THREADED SPRING PINS AND BUSHINGS - FRONT SUSPENSION		
➤ ALUMINUM SPACER BLOCKS FOR FRONT SUSPENSIONS		
➤ FRONT SHOCK ABSORBERS		
➤ Rear Axle and Equipment		
➤ RT-46-160 46,000# R-SERIES TANDEM REAR AXLE		420
➤ 3.91 REAR AXLE RATIO		
➤ MXL 18N MERITOR EXTENDED LUBE MAIN DRIVELINE WITH FULL ROUND YOKES	80	80
➤ MXL 17N MERITOR EXTENDED LUBE INTERAXLE DRIVELINE WITH FULL ROUND YOKES		
➤ DRIVER CONTROLLED TRACTION DIFFERENTIAL - BOTH TANDEM REAR AXLES		40
➤ (1) INTERAXLE LOCK VALVE, (1) DRIVER CONTROLLED DIFFERENTIAL LOCK FORWARD-REAR AND REAR-REAR AXLE VALVE		
➤ INDICATOR LIGHT FOR EACH INTERAXLE LOCKOUT SWITCH		
➤ INDICATOR LIGHT FOR EACH DRIVER CONTROLLED TRACTION DEVICE SWITCH		
➤ MERITOR 16.5X8.62 Q+ CAST SPIDER CAM REAR BRAKES, DOUBLE ANCHOR, FABRICATED SHOES		
➤ NON-ASBESTOS REAR BRAKE LINING		
➤ BRAKE CAMS AND CHAMBERS ON FORWARD SIDE OF DRIVE AXLE(S) WITH AUXILIARY SUPPORT BRACKETS		
➤ CONMET CAST IRON REAR BRAKE DRUMS		
➤ REAR BRAKE DUST SHIELDS		10
➤ SKF SCOTSEAL PLUS XL REAR OIL SEALS		
➤ HALDEX GOLDSEAL LONGSTROKE 2-DRIVE AXLES SPRING PARKING CHAMBERS		
➤ MERITOR AUTOMATIC REAR SLACK ADJUSTERS		
➤ SYNTHETIC 75W-90 REAR AXLE LUBE		
➤ Rear Suspension		



Description	Weight Front	Weight Rear
➤ AIRLINER 46,000# REAR SUSPENSION		480
➤ WELDED AXLE SEATS SUPPLIED ON REAR AXLE		
➤ 51 INCH AXLE SPACING		
➤ MANUAL DUMP VALVE FOR AIR SUSPENSION WITH INDICATOR LIGHT AND GAUGE		
➤ SINGLE AIR REAR SUSPENSION LEVELING VALVE		
➤ TRANSVERSE CONTROL RODS		
➤ REAR SHOCK ABSORBERS - TWO AXLES (TANDEM) (AIR RIDE SUSPENSION)		
➤ Pusher / Tag Equipment		
➤ HENDRICKSON SC20 COMPOSILITE 20,000# AIR LIFT STEERABLE PUSHER SUSPENSION, 16.5X6 BRAKES AND FL1 AXLE	925	925
➤ HENDRICKSON SC20/SCO20 20,000# FL1 STEERABLE 16.5X6 BRAKE INTEGRAL PUSHER AXLE		
➤ HENDRICKSON 16.5X6 CAST SPIDER CAM PUSHER/TAG BRAKES, DOUBLE ANCHOR, FABRICATED SHOES		
➤ NON-ASBESTOS PUSHER/TAG BRAKE LINING		
➤ CONMET CAST IRON PUSHER/TAG BRAKE DRUMS		
➤ PUSHER/TAG BRAKE DUST SHIELDS		5
➤ HALDEX LONGSTROKE PUSHER/TAG AXLE SERVICE CHAMBERS		
➤ HALDEX AUTOMATIC PUSHER/TAG SLACK ADJUSTERS		
➤ HENDRICKSON SC20 COMPOSILITE 20,000# STEERABLE AIR LIFT PUSHER SUSPENSION		
➤ 101 INCH AXLE SPACING PUSHER/TAG		
➤ Brake System		
➤ WABCO 4S/4M ABS WITH HILL START AID AND AUTOMATIC TRACTION CONTROL		
➤ BW AD-9 BRAKE LINE AIR DRYER WITH HEATER	20	
➤ AIR DRYER MOUNTED INBOARD ON LH RAIL		
➤ STEEL AIR BRAKE RESERVOIRS		
➤ PULL CABLES ON ALL AIR RESERVOIR(S)		
➤ Trailer Connections		
➤ AIR CONNECTIONS TO END OF FRAME WITH GLAD HANDS FOR TRUCK AND NO DUST COVERS	5	5
➤ PRIMARY CONNECTOR/RECEPTACLE WIRED FOR SEPARATE STOP/TURN, ABS CENTER PIN POWERED THROUGH IGNITION		
➤ SAE J560 7-WAY PRIMARY TRAILER CABLE RECEPTACLE MOUNTED END OF FRAME		
➤ Wheelbase & Frame		
➤ 6750MM (266 INCH) WHEELBASE		

Stock 4900 18 spd US Blue



Description	Weight Front	Weight Rear
➤ 3/8X3-7/8X11-5/8 INCH DOUBLE CHANNEL 120KSI STEEL FRAME (3/8 INCH OUTER AND 1/4 INCH INNER)	1,070	670
➤ 2800MM (110 INCH) REAR FRAME OVERHANG		
➤ CALC'D BACK OF CAB TO REAR SUSP C/L (CA) : 193.0 in		
➤ CALCULATED EFFECTIVE BACK OF CAB TO REAR SUSPENSION C/L (CA) : 187.28 in		
➤ UNDERSLUNG CROSSMEMBER	40	
➤ SQUARE END OF FRAME		
➤ FRONT CLOSING CROSSMEMBER		
➤ EXTRA HEAVY DUTY STEEL C-CHANNEL BOLTED CONSTRUCTION BACK OF TRANSMISSION CROSSMEMBER		
➤ EXTRA HEAVY DUTY STEEL C-CHANNEL BOLTED CONSTRUCTION MIDSHIP #1 CROSSMEMBER	5	5
➤ 1/4 INCH STEEL C-CHANNEL CROSSMEMBER WITHOUT A-FRAME, NON-TOWING		50
➤ HEAVY DUTY SUSPENSION CROSSMEMBER		30
➤ EXTRA HEAVY DUTY STEEL C-CHANNEL BOLTED CONSTRUCTION REAR MOUNTED SUSPENSION CROSSMEMBER		
➤ Chassis Equipment		
➤ 14 INCH TAPERED SWEPTBACK CHROMED STEEL BUMPER		
➤ NON REMOVABLE CENTERED FRONT TOW PIN FOR HIGHWAY OR CONSTRUCTION BUMPER		
➤ BUMPER MOUNTING FOR SINGLE LICENSE PLATE		
➤ NO MUDFLAP BRACKETS		-25
➤ NO REAR MUDFLAPS		-15
➤ FENDER MOUNTED FRONT MUDFLAPS		
➤ GRADE 8 THREADED HEX HEADED FRAME FASTENERS		
➤ Fuel Tanks		
➤ 80 GALLON/302 LITER ALUMINUM FUEL TANK - RH	110	45
➤ 80 GALLON/302 LITER ALUMINUM FUEL TANK - LH	-10	
➤ 25 INCH DIAMETER FUEL TANK(S)		
➤ PLAIN ALUMINUM FUEL TANK(S) WITH POLISHED STAINLESS STEEL BANDS		
➤ FUEL TANK(S) AFT		
➤ FUEL TANK COMPRESSION BRACE	30	
➤ IN TANK FUEL LEVEL SENDER(S)		
➤ Tires		
➤ MICHELIN XFE 425/65R22.5 20 PLY RADIAL FRONT TIRES	172	
➤ MICHELIN XDE M/S 11R22.5 14 PLY RADIAL REAR TIRES		56
➤ MICHELIN XFE 425/65R22.5 20 PLY RADIAL PUSHER/TAG TIRES		172

Stock 4900 18 spd US Blue



	Description	Weight Front	Weight Rear
➤ Hubs			
➤	CONMET PRESET PLUS IRON FRONT HUBS	60	
➤	CONMET PRESET PLUS ALUMINUM REAR HUBS		
➤	CONMET PRESET PLUS IRON PUSHER/TAG HUBS		30
➤ Wheels			
➤	ALCOA LVL ONE 82462X 22.5X12.25 10-HUB PILOT 4.68 INSET 10-HAND ALUMINUM DISC FRONT WHEELS	-8	
➤	ALCOA LVL ONE 88367X 22.5X8.25 10-HUB PILOT ALUMINUM DISC REAR WHEELS		-200
➤	ALCOA LVL ONE 82462X 22.5X12.25 10-HUB PILOT 4.68 INSET 10-HAND ALUMINUM DISC PUSHER/TAG WHEELS		-148
➤	POLISHED FRONT WHEELS; OUTSIDE ONLY		
➤	POLISHED REAR WHEELS; OUTSIDE OF OUTER WHEELS ONLY		
➤	POLISHED PUSHER/TAG WHEELS; OUTSIDE OF OUTER WHEEL ONLY		
➤ Cab Exterior			
➤	123 INCH BBC STEEL CONVENTIONAL CAB		
➤	WESTERN STAR STAINLESS STEEL CAB SKIRT		
➤	AIR CAB MOUNTS WITH CHECK VALVE	-30	
➤	NONREMOVABLE BUGSCREEN MOUNTED BEHIND GRILLE		
➤	2-3/4 INCH FENDER EXTENSIONS	10	
➤	LH AND RH EXTERIOR GRAB HANDLES WITH RUBBER INSERTS AND RH INTERIOR GRAB HANDLE MOUNTED TO A POST		
➤	STAINLESS STEEL RADIATOR SHELL/HOOD BEZEL WITH STYLIZED TILT HOOD HANDLE		
➤	RADIATOR MOUNTED GRILLE		
➤	HEAVY DUTY STEEL CAB FLOOR		
➤	SUPER VISIBILITY HOOD WITH CAB MOUNTED QUARTER FENDERS		
➤	HEAVY DUTY HOOD MOUNTING		
➤	FOUR HADLEY SD-978 26 INCH RECTANGULAR AIR HORNS	12	
➤	SINGLE ELECTRIC HORN		
➤	FOUR HORN SHIELDS		
➤	DOORS AND IGNITION KEYED THE SAME (3 KEYS)		
➤	SWITCH, INDICATOR LIGHT AND WIRING FOR (2) CUSTOMER FURNISHED BEACONS		
➤	DUAL RECTANGULAR HALOGEN HEADLIGHTS		
➤	LED MARKER LAMPS		
➤	ACCENT LIGHTS ON INTAKE BRACKET AND LOWER EDGE OF CAB	10	



Description	Weight Front	Weight Rear
➤ DAYTIME RUNNING LIGHTS WITH ROCKER/TOGGLE MOMENTARY INTERRUPTER SWITCH		
➤ FLUSH MOUNTED STOP/TAIL/BACKUP LIGHTS MOUNTED BELOW REAR MOST CROSSMEMBER		
➤ LED SQUARE CHROME FENDER MOUNTED FRONT TURN SIGNALS		
➤ DUAL MEKRA AERO BRIGHT FINISH HEATED DUAL AXIS 1-PIECE MOTORIZED MIRRORS WITH LIGHTS, LH AND RH REMOTE AND INTEGRAL CONVEX MIRRORS	20	
➤ CAB MOUNTED MIRRORS		
➤ 102 INCH EQUIPMENT WIDTH		
➤ DUAL MEKRA BRIGHT FINISH HEATED CONVEX MIRRORS WITH MANUAL ADJUSTMENT AND DUAL AXIS FOR 1-PIECE PRIMARY MIRRORS		
➤ RH DOWN VIEW MIRROR		
➤ STAINLESS STEEL EXTERIOR SUN VISOR	28	
➤ 17.5X35 INCH TINTED REAR WINDOW		
➤ TINTED DOOR GLASS		
➤ RH AND LH ELECTRIC POWERED WINDOWS		
➤ 2-PIECE TINTED CURVED BONDED WINDSHIELD		
➤ 1.5 GALLON WINDSHIELD WASHER RESERVOIR MOUNTED UNDER CAB WITH REMOTE FILL		

➤ **Cab Interior**

➤ SMOKY MOUNTAIN GRAY VINYL PREMIUM INTERIOR		
➤ BLACK HARD TRIM		
➤ BASE LEFT HAND DOOR TRIM		
➤ BASE RIGHT HAND DOOR TRIM		
➤ BLACK MATS WITH DOUBLE INSULATION		
➤ DASH MOUNTED ASH TRAY AND LIGHTER, DRIVER SIDE		
➤ FORWARD ROOF MOUNTED CONSOLE		
➤ PASSENGER SIDE WING DASH MOUNTED GLOVE BOX WITH LOCKING DOOR		
➤ 14"X7.75" DOCUMENT POUCH MOUNTED ON BACK WALL BETWEEN SEATS		
➤ LH AND RH DOOR MAP POCKETS		
➤ COAT HOOK ON RH BACKWALL OF CAB		
➤ BLACK SOFT TOUCH WING DASH WITH DRIVER SIDE COSMETIC UNDER DASH COVER		
➤ STANDARD WIRING		
➤ 2-1/2 LB. FIRE EXTINGUISHER MOUNTED OUTBOARD OF DRIVER SEAT	5	
➤ HEATER, DEFROSTER AND AIR CONDITIONER WITH COSMETIC COVER		

Stock 4900 18 spd US Blue



Description	Weight Front	Weight Rear
➤ STANDARD HVAC DUCTING		
➤ ADDITIONAL CAB SIDEWALL INSULATION	60	10
➤ AUTOMATIC SELF-RESET CIRCUIT BREAKER IN MAIN DASH POWER DISTRIBUTION BOX AND CIRCUIT BREAKER/FUSE IN AUXILIARY POWER DISTRIBUTION BOXES		
➤ DOOR ACTIVATED DOME LIGHT, UNDER DASH LIGHT WITH LH AND RH DOOR MOUNTED COURTESY LIGHTS AND LH AND RH READING LIGHTS		
➤ CAB DOOR LATCHES WITH MANUAL DOOR LOCKS		
➤ PREMIUM HIGH BACK AIR SUSPENSION DRIVER SEAT WITH 3 CHAMBER AIR LUMBAR, INTEGRATED CUSHION EXTENSION, FORWARD AND REAR CUSHION TILT, ADJUSTABLE SHOCK ABSORBER	40	
➤ BASIC HIGH BACK NON SUSPENSION TOOL BOX PASSENGER SEAT	-30	
➤ BLACK SUSPENSION COVER FOR AIR DRIVER SEAT	2	
➤ DUAL DRIVER SEAT ARMRESTS, NO PASSENGER SEAT ARMRESTS	4	
➤ ULTRA LEATHER DRIVER SEAT COVER		
➤ ULTRA LEATHER PASSENGER SEAT COVER		
➤ 3 POINT DRIVER AND PASSENGER SEAT BELT RETRACTORS		
➤ ADJUSTABLE TILT AND TELESCOPING STEERING COLUMN		
➤ 2-SPOKE 18 INCH (450MM) BLACK LEATHER WRAPPED STEERING WHEEL		
➤ DRIVER AND PASSENGER INTERIOR SUN VISORS		
➤ Instruments & Controls		
➤ FIGURED CHERRY WOODGRAIN ULTRA GLOSS FINISH DRIVER INSTRUMENT PANEL		
➤ FIGURED CHERRY WOODGRAIN ULTRA GLOSS FINISH CENTER INSTRUMENT PANEL		
➤ STAR GAUGES WITH BRIGHT BEZELS		
➤ (1) SINGLE BRAKE APPLICATION AIR GAUGE		
➤ 2 INCH PRIMARY AND SECONDARY AIR PRESSURE GAUGES		
➤ INTAKE MOUNTED AIR RESTRICTION INDICATOR WITHOUT GRADUATIONS		
➤ 97 DB BACKUP ALARM		3
➤ CRUISE CONTROL SWITCHES IN THE CENTER PANEL		
➤ KEY OPERATED IGNITION SWITCH AND INTEGRAL START POSITION; 4 POSITION OFF/RUN/START/ACCESSORY		
➤ WARNING LAMP/LIGHT BAR DISPLAY, NON-DATA LINKED		
➤ HEAVY DUTY ONBOARD DIAGNOSTICS INTERFACE CONNECTOR LOCATED BELOW LH DASH		
➤ 2 INCH ELECTRIC FUEL GAUGE		

Stock 4900 18 spd US Blue



Description	Weight Front	Weight Rear
➤ FUEL FILTER RESTRICTION INDICATOR		
➤ ELECTRICAL ENGINE COOLANT TEMPERATURE GAUGE		
➤ ENGINE OIL TEMPERATURE GAUGE		
➤ 2 INCH TRANSMISSION OIL TEMPERATURE GAUGE		
➤ DASH MOUNTED PTO CONTROLS WITH INDICATOR LIGHT AND PARK BRAKE INTERLOCK	5	
➤ ELECTRIC ENGINE OIL PRESSURE GAUGE		
➤ AM/FM/WB WORLD TUNER RADIO WITH SIRIUS XM, CD PLAYER, BLUETOOTH, IPOD INTERFACE AND USB AND AUXILIARY INPUTS, J1939	10	
➤ ROOF/OVERHEAD CONSOLE MOUNTED RADIO		
➤ (4) RADIO SPEAKERS IN CAB		
➤ COBRA 29 WX ST FACTORY INSTALLED CB RADIO WITH WEATHERBAND	5	
➤ MULTI-BAND AM/FM/WB/CB DUAL MIRROR MOUNTED ANTENNA SYSTEM	4	
➤ INTEROPERABLE SDAR ANTENNA		
➤ ELECTRONIC KPH SPEEDOMETER WITH SECONDARY MPH SCALE, WITH ODOMETER		
➤ ELECTRONIC 3000 RPM TACHOMETER WITH HOUR METER		
➤ VT-HU CONNETIVITY PLATFORM HARDWARE		
➤ 2 YEARS DETROIT CONNECT VIRTUAL TECHNICIAN REMOTE DIAGNOSTICS SERVICE		
➤ IGNITION SWITCH CONTROLLED ENGINE STOP		
➤ TWO ON/OFF ROCKER SWITCHES IN THE DASH WITH INDICATOR LIGHTS AND WIRE ROUTED TO CHASSIS AT BACK OF CAB, LABEL OPT		
➤ BW TRACTOR PROTECTION VALVE		
➤ TRAILER HAND CONTROL BRAKE VALVE		
➤ 2 INCH TURBO AIR PRESSURE GAUGE		
➤ 2 INCH VOLTMETER		
➤ SINGLE ELECTRIC WINDSHIELD WIPER MOTOR WITH DELAY		
➤ CAB/TRAILER MARKER LIGHT SWITCH WITH SEPARATE HEADLIGHT SWITCH		
➤ TWO VALVE PARKING BRAKE SYSTEM WITH DASH VALVE CONTROL AUTONEUTRAL AND WARNING INDICATOR		
➤ VSM NON CANCELING TURN SIGNAL SWITCH WITH INTEGRAL HEADLAMP DIMMER WITHOUT BRAKE OVERRIDE		
➤ PACIFIC INSIGHT ELECTRONIC FLASHER		
➤ Design		
➤ PAINT: ONE SOLID COLOR		
➤ Color		

Stock 4900 18 spd US Blue



	Description	Weight Front	Weight Rear
➤	CAB COLOR A: HSB907236 SOVEREIGN BLUE MET PPG BASE/CLEAR		
➤	CAB INTERIOR PAINTED SAME AS CAB COLOR		
➤	BLACK, HIGH SOLIDS POLYURETHANE CHASSIS PAINT		

T O T A L V E H I C L E S U M M A R Y

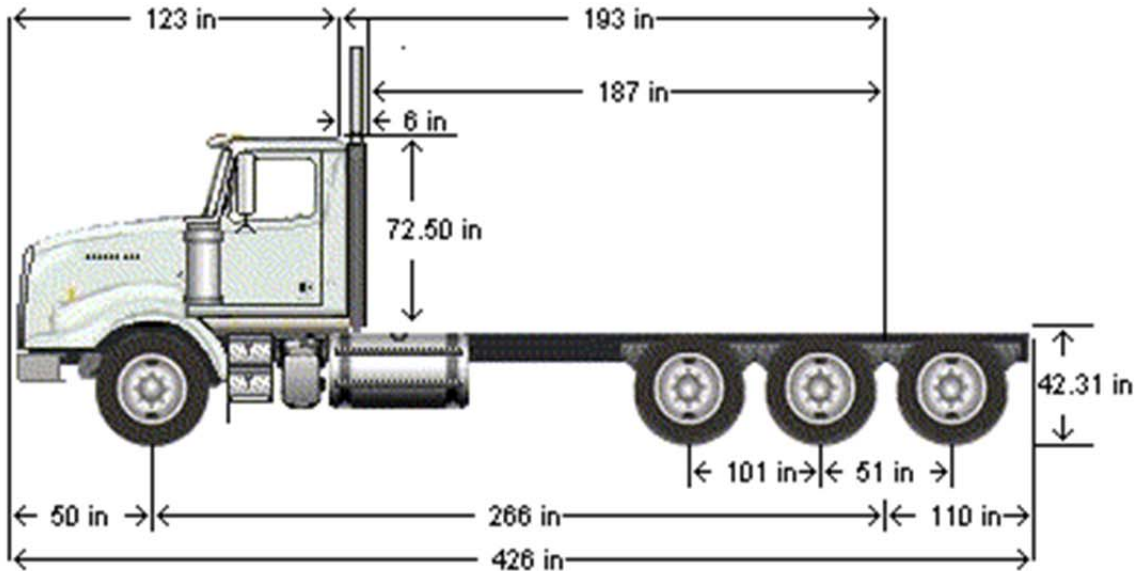
Weight Summary

	Weight Front	Weight Rear	Total Weight
Factory Weight ⁺	12937 lbs	9567 lbs	22504 lbs
Total Weight⁺	12937 lbs	9567 lbs	22504 lbs

(+) Weights shown are estimates only.
 If weight is critical, contact Customer Application Engineering.



D I M E N S I O N S



VEHICLE SPECIFICATIONS SUMMARY - DIMENSIONS

Model	4900SB
Wheelbase (545).....	6750MM (266 INCH) WHEELBASE
Rear Frame Overhang (552).....	2800MM (110 INCH) REAR FRAME OVERHANG
Cab Size (829)	123 INCH BBC STEEL CONVENTIONAL CAB
Exhaust System (016).....	RH OUTBOARD UNDER STEP MOUNTED HORIZONTAL AFTERTREATMENT SYSTEM ASSEMBLY WITH DUAL CAB MOUNTED VERTICAL TAILPIPES

Stock 4900 18 spd US Blue



TABLE SUMMARY - DIMENSIONS

Dimensions	Inches
Bumper to Back of Cab (BBC)	123.4
Bumper to Centerline of Front Axle (BA)	50.4
Min. Cab to Body Clearance (CB)	3.0
Back of Cab to Centerline of Rear Axle(s) (CA)	193.0
Effective Back of Cab to Centerline of Rear Axle(s) (Effective CA)	187.3
Back of Cab Protrusions (Exhaust/Intake) (CP)	5.7
Back of Cab Protrusions (Side Extenders/Trim Tab) (CP)	0.0
Back of Cab Protrusions (CNG Tank)	0.0
Back of Cab Clearance (CL)	5.7
Back of Cab to End of Frame	303.0
Cab Height (CH)	72.5
Wheelbase (WB)	266.0
Frame Overhang (OH)	110.0
Overall Length (OAL)	426.4
Rear Axle Spacing	51.0
Pusher/Tag Axle Spacing	101.0
Unladen Frame Height at Centerline of Rear Axle	42.3

Performance calculations are estimates only. If performance calculations are critical, please contact Customer Application Engineering.





Description

SHD20-6x46x46 Dump body – 450 Hardox (1/4" floor and gate, 3/16" walls)

- 12" cab shield
- Driver's side ladder and steps inside body
- Bezarus air shift PTO
- Permco dump pump - 3 line system, air shift controller (for standard transmission)
- Hyva pin to pin 8" hoist FEE 8-4-183
- Steel hydraulic tank (and oil), sight gauge and shut off valve
- Can American in cab controls (hoist, tarp, tailgate)
- Tail gate with air operated lock
- Heavy duty rear hinge
- Buyer's tailgate locks
- Air operated tarp
- Shovel holder and shovel
- Paint - DuPont™ Imron® Elite - standard colour
- LED lights
- Mud flaps and hangers

Item

Heavy Duty Tow/Pintle Plate

Air to Air SPIF

All Warranty Claims to be Addressed Directly With Can American Stone Spreader.
No Exceptions Without Written Approval. Quotation Valid For Thirty Days Plus Applicable Taxes.