



MASERATI



*Quattroporte*



*Quattroporte*

The New Quattroporte. By Maserati.

# HISTORY

## Over 100 years of defiance and glory.

On December 1, 1914, Alfieri, Ernesto and Ettore Maserati set up their own business in Bologna, modifying Isotta Fraschinis for road racing. By 1926, they had produced their own racing car, the Maserati Tipo 26, which promptly won its class in the Targa Florio of that year. In the 1930s, '40s and '50s, Maserati enjoyed success after success on the racetrack, with wins that included two Indianapolis 500s, 29 victories in Formula 1 and the 1957 F1 World Championship, won by Juan Manuel Fangio driving a 250F. 1947 saw the company turn its attention to the manufacture of passenger cars with the inspirational Maserati A6 grand tourer, followed in 1957 by the 3500 GT 2+2 sports coupé that introduced a number of important innovations, such as twin-spark ignition, disc brakes and fuel injection.

In 1963, Maserati showcased the world's first luxury four-door sports sedan, the Quattroporte, and during the late '60s and '70s launched a series of ultra-high performance supercars, the Mistral, Ghibli, Khamsin and Bora. Fiat acquired Maserati in 1993, affording it the stability that would secure its future. Maserati offers a class-leading range of models to an international market with a keen interest in the legendary Marque of the Trident.





**Quattroporte.**  
Race-bred engineering in a luxury sedan.  
Since 1963.

When Maserati presented the first Quattroporte at the 1963 Turin Motor Show, it not only launched the fastest four-seater car in the world, but also introduced a whole new category to the marketplace: the luxury sports sedan. The concept, revolutionary for the time, was to take a successful Maserati racing engine and place it inside the body of a sedan. With its exceptional handling and a race-bred V8 engine, the Quattroporte was capable of 130 mph, a very impressive speed for the era.

In the following 50 years, the Quattroporte has remained Maserati's flagship model. Forever exclusive, never mainstream, Quattroporte has always been daringly different—for those who dare to be different.

# RANGE

The Quattroporte comes in many guises.  
Because choice is so important.

In the new Quattroporte, Maserati has created a unique and exclusive car, designed for the discerning tastes of entrepreneurial pioneers and business trailblazers—high achievers who relish the unconventional and avant-garde. For this demanding clientele, the Quattroporte range is available in three different models.

The Quattroporte S, with rear-wheel drive and the handling dynamics of a sports car, comes with Maserati's formidable 3.0-liter, twin-turbocharged V6 engine that is built by Ferrari and develops 404 hp. The Quattroporte S Q4 features the same 3.0-liter, twin-turbocharged V6 engine along with Maserati's highly acclaimed Q4 intelligent all-wheel-drive system, with sure-footed handling agility that grips the road in virtually all weather. For unrivaled power and performance, the uncompromising Quattroporte GTS features rear-wheel drive and a magnificent Ferrari-built, 3.8-liter, twin-turbocharged V8 engine that produces an enormous 523 hp.





## The New Quattroporte. By Maserati.

Italy leads the world in automotive design, imbuing its cars not only with great beauty, but also adding an intangible and alluring touch of genius. The new Quattroporte is such an example. Cultured and refined, it is a masterpiece of sophistication, aesthetics and aerodynamic elegance.

Impressive in size, the Quattroporte maintains a balanced and dynamic appearance, from the restyled Maserati grille at the front to its LED light clusters at the rear. Newly designed front and rear bumpers give the car even greater authority and presence, while the marque's traditional three air vents are featured along the sides. Frameless doors give this executive sedan the appearance of a sleek coupé. The Quattroporte's familiar triangular C-pillar, with the celebrated Saetta logo, is a nod to Maserati's sporting character, as are the quad chrome tailpipes and the integral rear spoiler, which generates downforce at high speeds. The Quattroporte's aerodynamics are unsurpassed, thanks in part to its flat underbody and also to a clever Air Shutter behind the front grille that controls the flow of air through the radiator and reduces drag.

## Whether sitting in the front or the rear, relax in the lap of luxury.

To ensure the comfort of its distinguished guests, the Quattroporte wants for nothing. Because only the best will do, materials and available features include premium hand-stitched Italian leathers, fine wood or carbon-fiber trims, exclusive Ermenegildo Zegna Package silk interiors and the latest high-tech instrumentation and infotainment systems.

The sensation of well-being begins with 12-way, power-adjustable leather front seats that ensure the perfect driving position. On the central console is the all-new 8.4-inch touchscreen infotainment system with the new rotary control knob, providing another means for the driver to interact with the car in the way in which they are most comfortable. Meanwhile, the multifunction steering wheel is a model of ergonomic efficiency and provides a highly tactile grip.

Equal attention has been focused on the occupants of the rear seats, as well. The standard Quattroporte comes with a supremely comfortable, asymmetrically folding, hand-stitched leather rear bench seat for three people, complete with a central armrest that contains a USB port and a 12V socket. The overall spaciousness of the Quattroporte is enhanced by the sleek lines of the broad dashboard, its central tunnel, and its large doors, so that all on board are enveloped in an atmosphere of luxury, serenity and quiet.

# EXCLUSIVITY





*GranLusso*



*GranSport*



# GRANLUSSO



## Irresistible style and enhanced exclusivity: GranLusso trim.

Those who seek even more exclusivity and lavish luxury in their Quattroporte can opt for the unrestrained opulence of the GranLusso trim, with an interior styled and appointed by the leading fashion house of Ermenegildo Zegna. Exquisite Italian Zegna silk, colors and premium materials combine to generate an absolute masterpiece of taste and refinement in bespoke silk interiors unique to Maserati. Premium drilled natural leather and an alcantara headliner are also available as no-cost options. Other GranLusso enhancements to the cabin include a wood-and-leather steering wheel, wood trim, power foot pedals, a power rear sunblind, ventilated seats and stitched Tridents on the headrests. On the exterior, for an even more luxurious look, chrome bumper inserts, body-colored sideskirts, black brake calipers and elegant 20-inch Mercurio wheels enhance the sophistication of Maserati's flagship.





# GRANSPOURT



## A sporting appearance all your own: GranSport trim.

The highly distinctive and dramatic GranSport trim reflects the high-performance, athletic character of the new Quattroporte and the individuals who drive it. Exterior enhancements include new front and rear sport bumpers with exclusive black-gloss features, body-colored sideskirts, 20-inch Urano wheels and red brake calipers. Inside, the cabin benefits from all-new sport seats, gearshift paddles, Inox sport foot pedals, a new sport steering wheel, and Piano black wood trim. Optional carbon-fiber trim takes the GranSport look even further.



Optional 21-inch Titano wheel shown



# PERFORMANCE



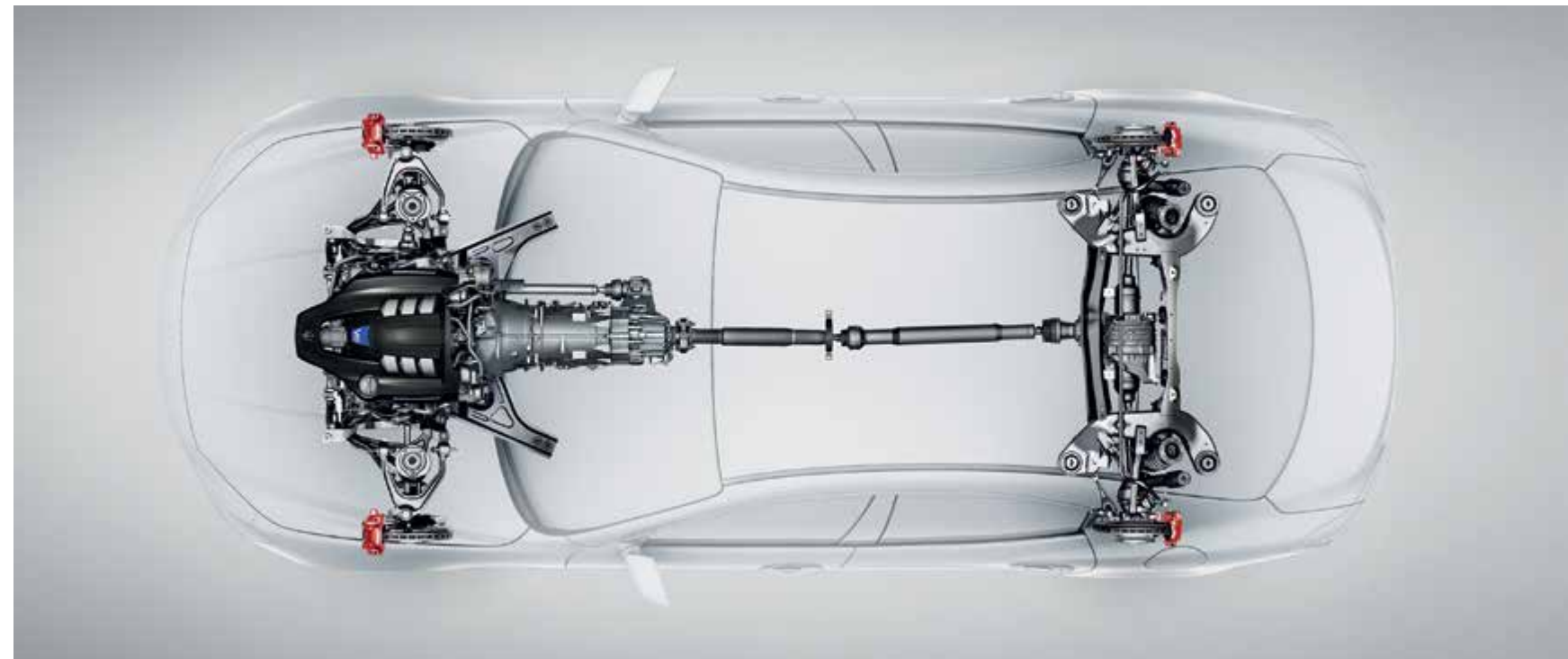
## Performance under pressure.

The mission of Maserati engineers has been to produce maximum power with minimum fuel consumption and emissions. Their solution: turbocharging, although in keeping with Maserati tradition, they decided to use not one turbocharger, but two—one for each cylinder bank. Maserati pioneered the use of two turbochargers in the 1981 Biturbo, an innovation that has only recently been adopted by the rest of the automotive industry.

With its 3.0-liter, twin-turbocharged V6 engine that develops 404 hp, the rear-wheel-drive Quattroporte S accelerates from 0 to 60 mph in 5.0 seconds, and has a top speed of 177 mph. The Quattroporte S Q4, equipped with Maserati intelligent all-wheel drive, is powered by the same 404 hp V6 engine. Accelerating from 0 to 60 mph in 4.8 seconds and with a top speed of 175 mph, it delivers maximum performance and safety in virtually all weather conditions. For drivers who seek the ultimate power and performance, the Quattroporte GTS features Maserati's 3.8-liter, twin-turbocharged V8 engine that produces 523 hp and 524 lb-ft of torque. The result is a 0 to 60 mph time of 4.6 seconds and an impressive top speed of 193 mph. True to the sporting spirit of the marque, each Maserati engine is hand-assembled by Ferrari at its plant in Maranello, Italy.

## Q4 intelligent all-wheel drive by Maserati. The power of attraction.

The Quattroporte S Q4 is equipped with Maserati's intelligent all-wheel-drive system. Compact and lightweight, the Q4 system continually analyzes six parameters: driving style, steering angle, yaw angle, speed, wheel slip and power output. The distribution of drive torque is then varied accordingly. In normal conditions, Q4 sends all the engine's torque to the rear wheels, ensuring excellent driving dynamics and optimal fuel consumption. However, if the road surface turns slippery and the Quattroporte begins to lose grip, in just 150 milliseconds the intelligent all-wheel-drive system transfers up to 50% of the power to the front wheels for maximum traction. Q4 therefore provides the best of both worlds: an exciting and dynamic drive in normal conditions, coupled with safety and security when needed.



# TECHNOLOGY



Eight-speed transmission and Maserati Skyhook suspension. Supreme comfort and sheer driving pleasure.

The sophisticated design of the eight-speed ZF automatic gearbox ensures precise gearchanges and exceptional performance, and comfortably manages the prodigious power of the Maserati V6 and V8 engines. Mounted behind the engine, it is assisted by auto-adaptive software that is able to recognize the way the car is being driven, and modifies the shifting pattern for each individual driver. There are five operating modes, selected using the buttons near the gear lever: Auto Normal, Auto Sport, Manual Normal, Manual Sport and Increased Control & Efficiency (I.C.E.) for better control in virtually all weather conditions, providing the most comfortable and quietest engine response, along with minimal fuel consumption. Upshifts are all automatic unless a manual mode is selected.

The Quattroporte offers the kind of driving pleasure for which the marque is famous, together with levels of handling agility normally associated with two-seater sports cars. It features an extremely sophisticated suspension set-up incorporating the latest Maserati Skyhook electronic system with continuous-damping variation shock absorbers. The standard setting prioritizes comfort, whereas for more dynamic handling, the driver can press the suspension button, stiffening the shock absorbers. In both modes, Maserati Skyhook stays active and continuously adapts to the road to maximize traction.

## Protection for all is priority number one.

In designing the Quattroporte, Maserati made safety the top priority. To provide the best possible protection for its occupants, it features the latest-generation airbags and numerous state-of-the-art safety systems and devices.

### AIRBAGS AND ACTIVE HEADRESTS

The Quattroporte comes equipped with six airbags. Two front airbags, both dual-stage, shield the driver and front passenger in the event of collision, while further protection comes courtesy of side and window airbags. Working in conjunction with the airbags are active headrests on the front seats that automatically move in closer to the occupants' heads to help reduce the risk of whiplash injury.

### BRAKES

All versions of the Quattroporte feature powerful Brembo brakes that have been carefully matched to the performance of their respective engines. To help reduce the car's unsprung mass, they feature dual-cast discs, which combine the strength of cast iron with the lightness of aluminum. As an option, the brake calipers can be specified in black, blue, silver or red.

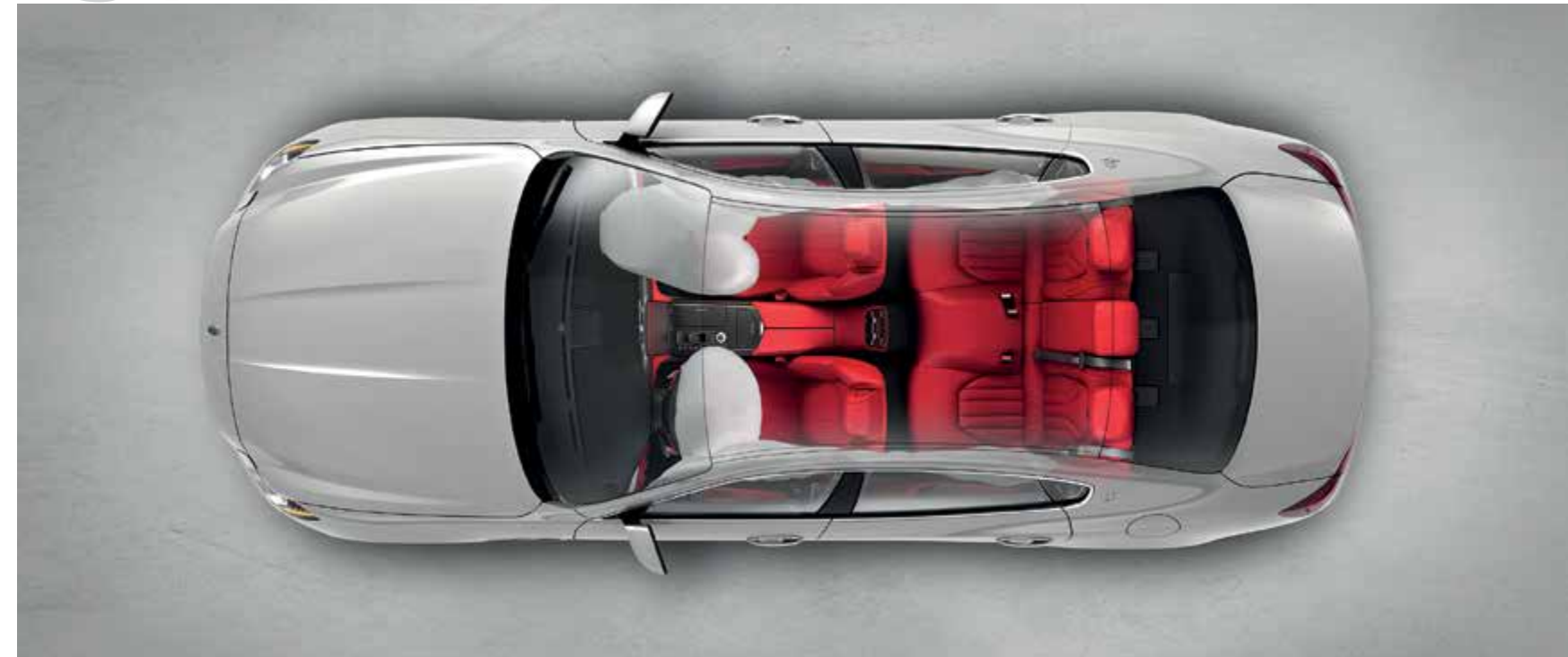
### MASERATI STABILITY PROGRAM

The Maserati Stability Program is an advanced electronic stability-control system that reduces torque from the engine and can activate the brakes if the vehicle begins to deviate from its normal trajectory or if a skid is detected—all in a few milliseconds.

### TIRE PRESSURE MONITORING SYSTEM

The Tire Pressure Monitoring System continuously monitors tire pressures by means of sensors fitted inside the wheel rims. The tire pressure is shown on the display in the center of the dashboard, and a warning light and audible alert inform the driver if any tire pressure drops below the optimal level, or in the event of a puncture.

# SAFETY





#### BI-XENON HEADLIGHTS AND ADAPTIVE FRONT LIGHTING SYSTEM

The Quattroporte features the very latest Bi-Xenon headlights with Adaptive Front Lighting System. The Adaptive Front Lighting System automatically adjusts the width, depth and angle of the beam, giving maximum light and providing maximum safety. This is made possible by monitoring several different parameters, including the lights of other road users, the steering wheel position, the car's speed and the way it is being driven. The AFS system comes on automatically when driving in bad weather, on highways or in town. In these circumstances, the system adjusts to increase visibility by up to 70% when compared to conventional headlights, thus enhancing driving safety.

#### AIR QUALITY SENSOR

This standard feature combines an intelligent sensor and an analysis system that calculates the external pollution levels and prevents polluted air and toxic gases from entering the car's cabin, giving the occupants the cleanest and safest air to breathe. The effective filtering of particulates can significantly improve the health of all on board.



**FRONT AND REAR PARKING SENSORS AND REVERSING CAMERA**

To assist with maneuvering in tight spaces, the Quattroporte comes equipped with parking sensors housed in the front and rear bumpers. In addition, a rear-view camera shows what is behind the car on the central console display. Dynamic grid lines illustrate the maximum width of the vehicle and its projected path, based on the steering angle of the front wheels.

**SURROUND VIEW CAMERA**

As a parking aid and to help the driver see into blind zones, the optional Surround View Camera provides a clear 360-degree view around the car. Two lateral cameras are housed underneath the door mirrors and, in conjunction with the front and rear cameras, display what is happening in the main display screen.

**ADAPTIVE CRUISE CONTROL WITH STOP&GO**

Adaptive Cruise Control constantly monitors the amount of space between the Quattroporte and the vehicle ahead of it, maintaining a constant pre-set distance. With the Stop&Go function, the Quattroporte can adjust to the speed of the vehicle in front, until it comes to a complete stop. The system will continue to work if the stop is less than two seconds. Adaptive Cruise Control with Stop&Go is standard on the GranLusso trim and optional for all other Quattroporte models.



**FORWARD COLLISION WARNING**

The Forward Collision Warning, in combination with the Adaptive Cruise Control, monitors vehicles ahead by means of a camera, and warns the driver if the car's approach could escalate into a rear-end collision. This is linked to the Advanced Brake Assist system, which can provide additional braking during an emergency stop. In addition, if the warning does not prompt any action from the driver, the Automated Emergency Braking system can automatically apply the brakes to reduce the car's speed, thus potentially avoiding a collision. Forward Collision Warning is standard on the GranLusso trim and optional for all other Quattroporte models.



**LANE DEPARTURE WARNING SYSTEM**

Thanks to a camera located in the interior rear-view mirror that monitors the road markings ahead, the Lane Departure Warning System can help the driver keep the vehicle in the chosen lane on highways and main roads. This helps reduce lane drift and the possibility of lateral collisions by warning the driver when the vehicle crosses lane markings without signaling. The Lane Departure Warning System is standard on the GranLusso trim and optional for all other Quattroporte models.



**BLIND SPOT ALERT AND REAR CROSS PATH**

Standard on the Quattroporte, Blind Spot Alert continually assesses the space between the Quattroporte and other nearby vehicles. When a side or rear blind spot is entered by another vehicle, for instance by another driver changing lanes, illuminated icons appear in the door mirrors and an audible alert is sounded. The Rear Cross Path function works in a similar way, emitting the same warning when an unseen vehicle is detected approaching from the right or the left as the car reverses out of a parking space.



# INFOTAINMENT



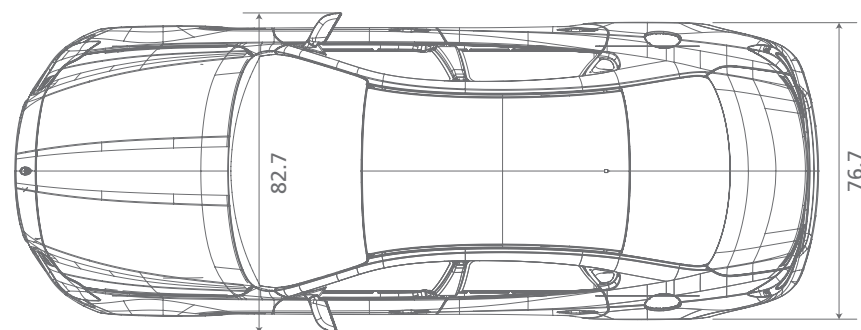
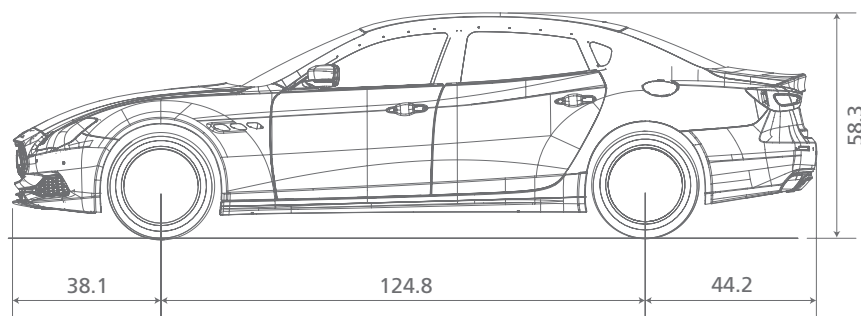
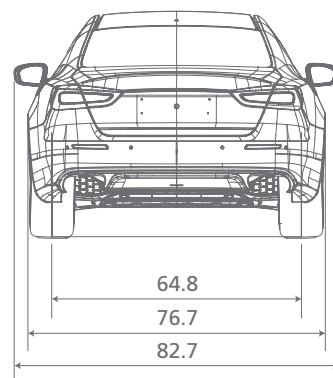
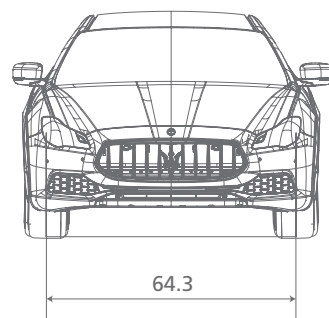
## Controls for your well-being. Sounds for your delight.

In the center of the Quattroporte's dashboard is the new 8.4-inch Maserati Touch Control Plus unit (MTC Plus) that provides user-friendly access to the car's many systems and devices. Being both simple and intuitive, and with very few buttons plus a highly responsive interface unit, it has been designed so that the driver is not distracted from the road when using it, and mastering it takes no time at all. There are three ways of operating MTC Plus: by means of the new multi-touchscreen, via the new rotary control knob in the central console or through voice commands.

The Quattroporte features a powerful Harman Kardon Premium Sound System as standard, with ten speakers and 900 watts of power delivering a clear and perfectly defined audio image to every seat. Alternatively, the optional Bowers & Wilkins Surround Sound system includes 16 channels amplified by 1,280 watts of power. The system blends perfectly into the car's interior design, thanks to the meticulous work on the layout of the sound sources. Fifteen speakers have been strategically located in the dashboard, doors and rear shelf to create a completely immersive sound experience, reaching every corner and every ear. Powerful, advanced processing ensures optimum fidelity regardless of seating position. The system incorporates Harman's QuantumLogic™ signal processing and a unique music restoration process called Clari-Fi that instantly scans all types of compressed audio files and intelligently corrects any deficiencies detected.

## DIMENSIONS

IN INCHES



### DIMENSIONS AND WEIGHTS

|                              | QUATTROPORTE S*     | QUATTROPORTE S Q4   | QUATTROPORTE GTS    |
|------------------------------|---------------------|---------------------|---------------------|
| Length                       | 207.2 in (5262 mm)  | 207.2 in (5262 mm)  | 207.2 in (5262 mm)  |
| Width (with side mirrors)    | 82.7 in (2100 mm)   | 82.7 in (2100 mm)   | 82.7 in (2100 mm)   |
| Width (without side mirrors) | 76.7 in (1948 mm)   | 76.7 in (1948 mm)   | 76.7 in (1948 mm)   |
| Height                       | 58.3 in (1481 mm)   | 58.3 in (1481 mm)   | 58.3 in (1481 mm)   |
| Wheelbase                    | 124.8 in (3171 mm)  | 124.8 in (3171 mm)  | 124.8 in (3171 mm)  |
| Front track                  | 64.3 in (1634 mm)   | 64.3 in (1634 mm)   | 64.3 in (1634 mm)   |
| Rear track                   | 64.8 in (1647 mm)   | 64.8 in (1647 mm)   | 64.8 in (1647 mm)   |
| Front overhang               | 38.1 in (968 mm)    | 38.1 in (968 mm)    | 38.1 in (968 mm)    |
| Rear overhang                | 44.2 in (1123 mm)   | 44.2 in (1123 mm)   | 44.2 in (1123 mm)   |
| Turning circle               | 38.7 ft (11.8 m)    | 38.7 ft (11.8 m)    | 38.7 ft (11.8 m)    |
| Trunk capacity               | 18.7 cu ft (530 L)  | 18.7 cu ft (530 L)  | 18.7 cu ft (530 L)  |
| Fuel tank capacity           | 21.1 gal (80 L)     | 21.1 gal (80 L)     | 21.1 gal (80 L)     |
| Dry weight                   | 3,880 lbs (1760 kg) | 4,012 lbs (1820 kg) | 3,968 lbs (1800 kg) |
| Curb weight                  | 4,100 lbs (1860 kg) | 4,233 lbs (1920 kg) | 4,189 lbs (1900 kg) |

### ENGINE

|                                      | QUATTROPORTE S*                   | QUATTROPORTE S Q4                 | QUATTROPORTE GTS                  |
|--------------------------------------|-----------------------------------|-----------------------------------|-----------------------------------|
| Number of cylinders and layout       | V6 60°                            | V6 60°                            | V8 90°                            |
| Displacement                         | 182 cu in (2979 cm <sup>3</sup> ) | 182 cu in (2979 cm <sup>3</sup> ) | 232 cu in (3799 cm <sup>3</sup> ) |
| Bore                                 | 86.5 mm                           | 86.5 mm                           | 86.5 mm                           |
| Stroke                               | 84.5 mm                           | 84.5 mm                           | 80.8 mm                           |
| Transmission                         | 8-speed automatic                 | 8-speed automatic                 | 8-speed automatic                 |
| Compression ratio                    | 9.7:1                             | 9.7:1                             | 9.5:1                             |
| Maximum power output                 | 404 HP (410 CV / 302 kW)          | 404 HP (410 CV / 302 kW)          | 523 HP (530 CV / 390 kW)          |
| Engine speed at maximum power output | 5,500 RPM                         | 5,500 RPM                         | 6,500 - 6,800 RPM                 |
| Peak torque                          | 406 ft lb (550 Nm)                | 406 ft lb (550 Nm)                | 524 ft lb (710 Nm)                |
| Engine speed at peak torque          | 1,750 - 5,000 RPM                 | 1,750 - 5,000 RPM                 | 2,250 - 3,500 RPM                 |

### PERFORMANCE

|   | QUATTROPORTE S*    | QUATTROPORTE S Q4  | QUATTROPORTE GTS   |
|---|--------------------|--------------------|--------------------|
| Maximum speed                                 | 177 mph (285 km/h) | 175 mph (283 km/h) | 193 mph (310 km/h) |
| Acceleration from 0 to 60 mph (0 to 100 km/h) | 5.0 sec (5.1 sec)  | 4.8 sec (4.9 sec)  | 4.6 sec (4.7 sec)  |
| Stopping distance from 60 mph (100 to 0 km/h) | 115 ft (35 m)      | 115 ft (35 m)      | 112 ft (34 m)      |
| Fuel consumption — combined fuel              | 18 mpg             | 18 mpg             | 17 mpg             |
| Fuel consumption — highway fuel               | 23 mpg             | 23 mpg             | 22 mpg             |
| Fuel consumption — city fuel                  | 16 mpg             | 16 mpg             | 15 mpg             |

\* USA model only, not available in Canada.

## The world of Maserati. Its heart races.

### MASTER MASERATI DRIVING COURSES

It is perhaps the ultimate driving experience: driving exclusive, high-performance cars, having fun and acquiring basic skills similar to those of a professional driver. Through its exclusive Driving Courses, Maserati, which has always prioritized the quality of its cars' handling, places a special emphasis on the correct technique for driving, with the aim of enabling participants to become more familiar with their vehicles. A variety of courses have been organized in Italy at the Varano de' Melegari track and other venues worldwide.

### MASTER GT 1 DAY

The one-day Master GT driving course has been designed to improve the participant's personal driving techniques at the wheel of different Maserati models. This intensive training program comprises a number of exciting and dynamic sessions in high-performance cars, and is run by highly trained, specialist staff whose aim is to improve every participant's driving skills in an environment that is enjoyable and challenging. [maseratiusa.com/mastermaserati](http://maseratiusa.com/mastermaserati)

### MASTER WARM-UP

The Maserati Master Warm-Up offers customers and prospects initial training in the techniques of racetrack driving in high-performance cars, with the support of highly qualified, expert staff. It provides the opportunity of entering the world of Maserati as a privileged guest, at Varano de' Melegari, home of the Master Maserati courses since 1998. The half-day driving course involves a series of dynamic activities, including several on-circuit driving sessions, combined with a car-handling exercise that explores each participant's driving abilities, which can then be perfected in subsequent courses.

### MASTER PREMIUM

This intensive 1½-day program focuses on advanced GT

handling techniques and safe yet sporty driving. In a sequence of sessions on the circuit, the driver is taught how to control the car in different simulated road conditions, including quick direction changes, controlled skids and braking techniques. The ultimate aim is to use the lessons learned to maximize enjoyment and safety when driving a high-performance Maserati.

### MASTER HIGH PERFORMANCE

The Master High Performance program includes advanced high-speed driving and technically more complex exercises that build upon the fundamental skills acquired in the earlier Master GT and Master Premium courses. The teaching and structure of this course are adapted to the individual needs of the participants, who can improve their driving proficiency through the analysis of Formula 1-type telemetry data.

### MASTER ITALIAN LIFESTYLE EXPERIENCE

This exclusive, five-star event allows Maserati enthusiasts and their companions to experience the very best that Italy has to offer. Along with a series of Maserati racetrack sessions for the driver, both participants enjoy a program of first-class activities and excursions in two cities steeped in history and culture: Florence and Parma.

### SNOW MASTER EXPERIENCE

Although exciting, maintaining full control of your car when driving on snow is always a formidable challenge. With the new Snow Master Experience, created to give you the opportunity to explore car control in extreme conditions on snow and ice, you can improve your driving skills and delight in impressive performance of the Maserati cars even in the most extreme situations. This enjoyable, intensive driving course is structured around thrilling exercises that focus on safety, thanks to the experience of the Master



Maserati instructors. This special driving course will be held on beautiful tracks in Lapland or in the Alps.

### MASTER LEVANTE

Master Levante is the specific driving course that combines track-driving techniques with the most effective approach to driving on off-road terrains. The training uses the entire Maserati range, focusing in particular on the Levante SUV, which represents the state of the art in the Sport Utility Vehicle segment. With its amazing performance, it provides the most exciting of all driving experiences, both on track and on unpaved trails and uneven ground. The program offers 1½ days of high-adrenaline driving with the perfect balance between theory sessions and on-track and off-road driving practice, conceived to exploit the full performance capabilities of a car that truly knows no boundaries.

### MASTER MASERATI INCENTIVE

Master Maserati Incentive courses last either one-half day or a whole day and include a series of highly stimulating

activities. Aside from the thrilling driving sessions on the track, there are practice exercises and competitions that foster team spirit, providing the perfect context for corporate incentive events and team-building exercises.

**For more information and registration, contact Master Maserati.**

Telephone: 201.510.2521

Email: [maseratievents@maseratiusa.com](mailto:maseratievents@maseratiusa.com)  
[maserati.com/MasterMaserati](http://maserati.com/MasterMaserati)

**FINANCIAL SERVICES**

Your authorized Maserati dealer will be pleased to provide you with professional guidance on the various lease and finance options available, and create a package tailored to your individual requirements.

**FACTORY TOUR\***

Find out where and how the Maserati legend was born. Maserati offers you the opportunity of discovering its secrets from the inside, through a guided tour of the Modena production plant. Discover how the cars are created, learn their secrets, understand their engineering and really feel part of the Maserati family.

**MASERATI EXPERIENCE\*\***

For those wishing to combine their factory visit with a little more insight into the company's home city of Modena, Maserati has the perfect solution. Lasting one or more days, the Maserati Experience enables you to get to know the world of Maserati firsthand via a guided tour that allows you to discover Modena, its culture, its history and its fine food. You can tailor your Maserati experience to your own personal tastes and interests by combining these with a variety of other activities:

- A visit to the Panini Museum and/or Stanguellini Museum (famous motor museums)
- A guided tour of the town
- A guided tour of a traditional balsamic vinegar manufacturer, with tastings
- A guided tour of a winery, with tastings of local wines
- Culinary school
- A day at the Modena Golf & Country Club
- And much, much more.

**MASERATI COLLECTION**

The Maserati Collection of quality leisurewear, goods and branded merchandise has been specially created for those who share the Maserati passion, and who proudly associate with the illustrious marque. Maserati Collection items are available from all Maserati dealers, and from the Maserati Store at the Maserati showroom in Modena. Alternatively, all the articles in the collection can be purchased online at [www.maseratistore.com](http://www.maseratistore.com) and delivered directly to your home.

**MASERATI CLUB**

Joining the exclusive Maserati Club means sharing thrills and experiences with other Maserati owners, and being invited to take part in special motoring events all over the world. Drivers of cars from every era can enjoy the pleasure of driving their Maseratis in a calendar of events created specially for Maserati Club members. The Maserati Club provides the link between the past, present and future of the company.

**MASERATI GENUINE ACCESSORIES**

Specially conceived to satisfy our customers' interests, Maserati Genuine Accessories are a perfect combination of design and functionality. The attention to detail, style and quality of each individual accessory reveal the very essence of the Maserati brand, always delivering

beauty, comfort and performance. The new accessory range offers customers the best in transport solutions, combined with style and design. Developed to fully enjoy the spaciousness and functionality of the car in almost any situation, the Maserati-branded transport systems include accessories such as the Luggage Compartment Net, Ski and Snowboard Bag and Luggage Compartment Mat. Added to the range are practical and safety accessories, such as the MGT (Maserati Genuine Tires) Branded Tires, Car Covers and Luggage Compartment Box. These are just some of the many products available from your authorized Maserati dealer.

**MASERATI CLASSICHE**

Created for enthusiasts and owners of vintage Maserati cars, Maserati Classiche is an organization dedicated to those who wish to engage with the marque's glorious past. The Maserati Classiche range of products includes items that celebrate the company's history: paintings of historic events, pictures of classic Maseratis, original reproductions of parts catalogs, owners' handbooks and old brochures, clothing, scale models and much more. All the latest items can be found on [www.maserati.com](http://www.maserati.com) in the Maserati—Maserati Classic section. Or for more information, email [maserati.classiche@maserati.com](mailto:maserati.classiche@maserati.com)

\*Factory tours are arranged by appointment and can be booked through your official authorized Maserati dealer.

\*\*For more information, please email us at: [maseratiexperience@maserati.com](mailto:maseratiexperience@maserati.com)



Maserati

A6 30214

GTS

Quattroporte



©2016 Maserati North America, Inc. All rights reserved. Maserati and the Trident logo are registered trademarks of Maserati SpA. Maserati urges you to obey all posted speed limits. The illustrations and text contained in this brochure are based on the information available at the time of printing and do not contain a description of specific characteristics of the car by the manufacturer. Some models, equipment and accessories may not be available or may only become available after the car's launch on the market. Maserati reserves the right to modify colors, designs and technical features at any time and without prior notice. Contact your authorized Maserati Dealer for further details.





MYMASERATI@MASERATIUSA.COM

    | @MASERATIUSA

WWW.MASERATIUSA.COM · 1-877-MY MASERATI · DRIVEMASERATI@MASERATIUSA.COM  
MASERATI NORTH AMERICA, INC. · 250 SYLVAN AVENUE · ENGLEWOOD CLIFFS, NJ 07632