



VOLVO XC90

MY2018



INNOVATION FOR PEOPLE

At Volvo Cars, we continuously innovate in order to make your life better. Every car, every technology and every design is the result of a clear vision – to put people at the heart of everything we do. It's a vision that has driven us from the start and that has inspired us to create the likes of the three-point seat belt and side-impact airbags – inventions that have saved lives and changed automotive history. With our new generation of cars we continue with this tradition. Scandinavian design combines with modern Swedish luxury to enrich your experience. Intuitive Sensus technology makes life less complicated and keeps you connected with the world, while the latest Drive-E powertrains balance responsive power with class-leading efficiency. And supporting you while you are driving, our IntelliSafe innovations make your journey more comfortable and enjoyable while helping to prevent accidents.

We understand what's important to people. It forms the basis of all the innovations that we create. Innovations that improve lives. At Volvo Cars, we design our cars around you.



Contents

Exterior Design.....	4	Chassis.....	34	Inscription.....	54
Interior Design.....	8	Powertrains.....	36	Excellence.....	62
Sensus.....	12	Trim Levels.....	38	Accessories/Options...	68
IntelliSafe.....	20	Momentum.....	40	The Volvo Experience...	80
Drive-E.....	28	R-Design.....	46	Facts and Figures.....	84



The Volvo XC90 is a haven, a place where you can relax, think and travel in first-class comfort. Where contemporary Scandinavian design meets Swedish craftsmanship. Where quality materials will delight your senses and put comfort at the heart of every journey. And where an intuitive center display with touchscreen helps keep you connected and in control.

Whether driving along the highway or negotiating urban traffic, our intuitive technology makes the journey safer and easier, leaving you to enjoy the ride. The unique Volvo driving experience is further enhanced with sophisticated powertrains that give you performance and efficiency, so you never have to compromise.

The XC90 represents our distinctive take on what it means to drive a luxury car in the 21st century. The XC90 is a sanctuary. Designed Around You.

VOLVO XC90

ROAD PRESENCE

Be impressed, quite simply.

You know you're looking at truly great design when what appears simple at first glance turns out to be ingenious and stimulating once you discover the thoughts and details that make up the whole. And as with any luxury item – a finely crafted watch, a bespoke suit – its beauty might be obvious, but its true value is only revealed when you discover the expertise, the craftsmanship and the passion that went into making it.

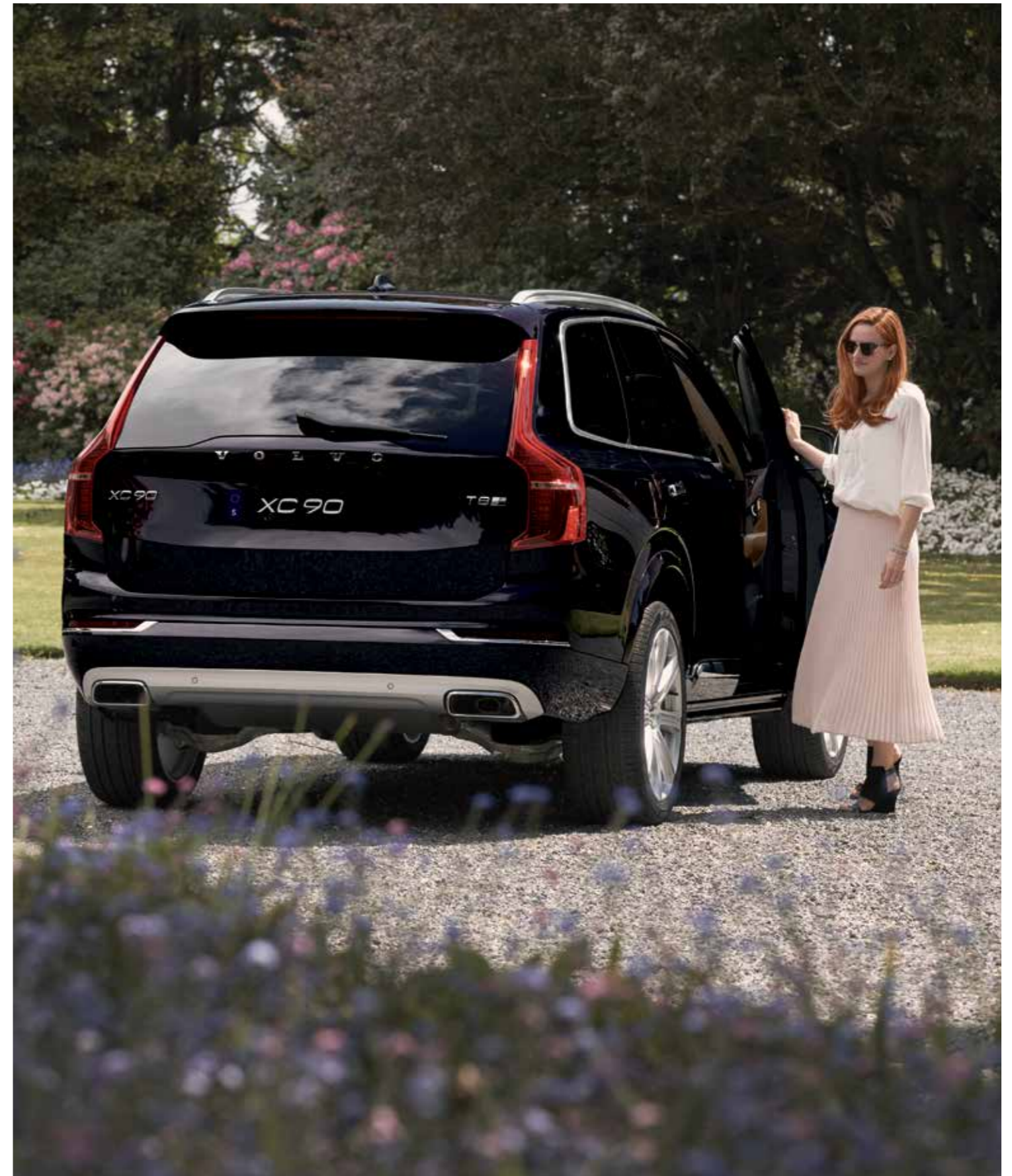
The Volvo XC90 has this quality. Appropriately for a full-sized SUV, it exudes power, particularly with the upright grill and the strong shoulders, both of which are classic Volvo styling cues. As Volvo Cars' exterior designer Anders Gunnarsson says, "The car has an attitude that expresses confidence and self-belief. If you're proud and relaxed about your position in the world, you'll stand upright – just like the Volvo XC90."

But despite this sense of presence, the design is also exquisitely subtle: "It grows on you," says Thomas Ingenlath, Volvo Cars' Senior Vice President of Design. "It's not all spectacle – it's about leaving the proportions and the technology underneath to create the drama. You suddenly realize how much sheet metal movement there is in the side section – how it grows over the rear wheel. It's about perfect execution, and that took such a long time to achieve."

"The task to design the rear was more difficult," says Ingenlath. "We didn't want to use the elements that everyone else is using to make a car look more powerful. Most other car manufacturers are using horizontal lines. We used vertical lines. That is something that can be difficult. If you are good at it, you give a car an incredible status. We achieved that kind of status by reduction – not going into the horizontal but staying proud and upright. That is a nice aspect."

T8 eAWD Plug-In Hybrid | Inscription
717 Onyx Black Metallic |
21" 8-Spoke Diamond Cut Silver Alloy Wheels, 174

"As with any luxury item – a finely crafted watch, a bespoke suit – its beauty might be obvious, but its true value is only revealed when you discover the expertise, the craftsmanship and the passion that went into making it."



The **Panoramic Moonroof** is the perfect complement to the airy, uncluttered cabin of the XC90.

Don't you love it when someone gets the door for you? With the standard power-operated tailgate, you can enjoy this courtesy every

day: just press a button on your remote control key, the tailgate or inside the cabin. When you have your hands full, the comfort-opening function makes all the difference: move your foot under a sensor in the bumper, and the tailgate opens and closes automatically.

T5 AWD | Momentum
719 Luminous Sand Metallic | 19" 10-Spoke
Turbine Silver Bright Alloy Wheels, 172



Fine Perforated Nappa Leather |
Blond in Blond/Charcoal Interior UC00 |
Linear Walnut Wood Inlays, 315

INSIDE YOUR CAR

Your own space, wherever you go.

Traveling in the XC90 always feels special – from the moment you pick up your sculptured remote control key. In the lavishly appointed cabin, luxurious materials and superb craftsmanship meet with uncluttered elegance. The airy interior gives you the luxury of space and calm – no matter which of the three seat rows you sit in. The mood of tranquil seclusion is accentuated by eye-catching details like the “flying wings” controls, inspired by high-end amplifiers. Other touches include the diamond-knurled control surfaces and the beautifully framed tablet-sized center display with touchscreen, which takes pride of place in the center stack. Our CleanZone technologies filter out harmful gases and particles, ensuring that you and your passengers breathe easy – even in polluted cities. And you’ll love our 19-speaker Bowers & Wilkins, which offers sublime concert-quality sound for the most exacting audiophiles.



Fine Perforated Nappa Leather |
Blond in Blond/Charcoal Interior UC00 |
Linear Walnut Wood Inlays, 315



TRAVEL FIRST CLASS IN THE VOLVO XC90.

When we designed the Volvo XC90, we made sure you travel in first class. The sculptured seats offer 21st-century luxury in look, feel and style while allowing more rear legroom. If you'd like to enhance their lavish comfort even further, you can have heating, massage and ventilation, power-operated lumbar support, extendable seat cushions and side bolsters: you'll never want to get out of your car. In the second row, the three individual seats are designed for maximum comfort – in the seven-seat version, all three seats slide and recline individually. The seven-seat version's two individual third-row seats offer excellent comfort for passengers up to 5' 7" tall and are easy to get in and out of.

Our CleanZone technology helps ensure a healthy interior environment and clean cabin air. It filters dust, pollen, particulates and odors while monitoring the air quality and closing the intakes if

pollutant levels rise too high. It happens automatically – all you need to do is set the temperature you want and the XC90 does the rest.

With the four-zone climate control, passengers on the two outer rear seats can choose their own climate settings using a dedicated touchscreen. It also includes an air-conditioned glove compartment that keeps its contents cool. And to make sure your phone or tablet never runs out of charge, there's access to a power outlet in each row.

For better visibility, there's "theater seating" – the rear rows are positioned higher up than the seats in front. We've also remembered younger passengers – children who've outgrown their child seats can use the integrated child seat in the second row. And providing superior versatility, each seat in the second and third rows can be folded flat into the floor to allow 32 possible seating combinations.



In the driver's seat you're in command. Control functions such as navigation and entertainment from the steering wheel buttons – or use voice control.



Finishing touches such as controls with diamond-knurled finish and translucent edges underline our designers' meticulous attention to detail.



The four-zone climate system can be controlled from the center display touchscreen, or a graceful touch control panel at the end of the tunnel console.

T8 eAWD Plug-In Hybrid | Inscription
Panoramic Moonroof | 717 Onyx Black |
21" 8-Spoke Silver Bright Diamond Cut Alloy Wheels, 174

"Sensus connects you with your Volvo and the rest of the world."

SENSUS

*Intuitive, intelligent technology to always
keep you connected.*

Sensus connects you with your Volvo and the rest of the world. It keeps you informed, entertained and in control of your journey.

Intuitive, easy-to-use controls are a prime feature of Sensus and you will find them on the large, 9" Sensus Touchscreen. Replacing physical buttons with virtual equivalents on the screen allows them to be larger and easier to use. Bold, clear graphics make it easy to absorb information at a glance. Our philosophy has always been that you should be able to operate your Volvo and keep your eyes on the road. The optional head-up display means you can do just that.

And Sensus goes further, with in-car WiFi keeping your devices connected to the internet, while our audio systems offer considerable flexibility when it comes to choosing your desired music source and tailoring its sound.



CONNECTING YOU WITH A WORLD OF ENTERTAINMENT.

Get closer to the music you love, no matter which seat you're in. With Sensus Connect all of your music is available all of the time, whether it's direct from your favorite media source or streaming from the internet.

It all begins with the 9" Sensus Touchscreen control center. The surface responds to the lightest of touches – you only need to brush your fingers over the glass to operate the controls. It even works with gloved hands.

Connecting your devices is quick and easy. With our Smartphone Integration you simply plug your smartphone into the car using the USB connection and you can turn the center display into an extension of your iPhone® (5 or later) or Android smartphone (5.0 Lollipop or

later). You can connect via Apple CarPlay™ or Android Auto™ to access your device's music, make calls and send messages. And when connected, your phone will be charging too.

Your choice of entertainment is not limited by what you have on your smartphone or portable audio player. WiFi and tethered internet increases your choice, with a fast and stable connection through the roof aerial. The Spotify® in-car app makes finding new music quick and easy, and you have access to internet radio and on-demand services, as well. Our High Performance audio system is tuned to make the most of your music, while Bowers & Wilkins takes the listening experience to another level.



Our Bowers & Wilkins audio system brings exceptional clarity and realism to your favorite music. The unique air-ventilated subwoofer delivers richer, deeper bass by drawing air in from outside the car so it can pulse more air through the speaker. There are 19 speakers, allowing everyone in the car to get the best possible sound, all the time. Get closer to the



performance by using one of the system's three room modes to bring the music to life. Concert mode recreates the unique acoustic experience of the Gothenburg Concert Hall, while Stage and Studio modes put you at the heart of the music, allowing you to hear it as the musicians intended.

"Turn the center display into an extension of your smartphone using our Smartphone Integration."



9" Sensus Touchscreen. The focal point of the elegant cabin uses a portrait format to give you a large viewable area that means less scrolling. This format is perfectly suited to displaying maps, and mirrors the look of modern smartphones in its layout, so it feels instantly

familiar and intuitive. It features a glossy black finish that, thanks to a special coating, minimizes reflection – so it not only looks beautiful but works beautifully.

Apple CarPlay is a trademark of Apple Inc.
Android Auto is a trademark of Google Inc.
Bowers & Wilkins is a trademark of B&W Group, Ltd.

GET TO YOUR DESTINATION EVERY TIME, WITH EASE.

Let **Sensus Navigation** be your guide, helping you find your destination and keeping you informed.

Everything you need to know is shown on the 12.3" Digital Driver Display right in front of you. The high-resolution image self-adjusts so it's never too bright, automatically resizing the instruments to accommodate navigation information. The optional head-up display shows all the vital information on the lower part of the windscreen, projected to look like it is hovering in front of the car. You stay informed without ever having to take your eyes off the road.

Getting to your destination is made even easier with the clear graphics of our maps. With free lifetime mapping upgrades, Sensus stays one step ahead, guiding you accurately.

Sensus also saves you time by helping you find what you're looking for, with built-in navigation apps capable of locating a parking space and finding gas stations.

Voice control: Controlling Sensus is as easy as telling it what to do. Talk to your Volvo, and voice control will carry out your instructions to operate climate control, navigation, infotainment and your smartphone.



Voice control. Controlling Sensus is as easy as telling it what to do. Talk to your Volvo, using natural phrases such as "go to Charleston, South Carolina" or "call Emily Johnson," and voice control will carry out your instructions to operate climate control, navigation, infotainment and your smartphone.



Center display. The portrait format center display with touchscreen makes reading maps and following navigation prompts beautifully straightforward. You can see where you're going and what's coming next.



Volvo On Call makes life easier and enhances the experience of owning a Volvo. It's a safety, security and convenience feature that includes a mobile app.

The remote engine start lets you begin every drive in comfort. Heat and defrost your car on cold mornings and cool your car on hot days, before you even get in. You can also check if a window or the tail gate is open, and see if your car is locked, then lock it or unlock it, all with the touch of a button.

Plan journeys from home by searching for destinations in the app or from a computer and sending them to your car – so when you're ready to go, so is the navigation system. Volvo On Call can even sync with your calendar to remind you of appointments, then tell you how to get there.

It's easy to find your car in a crowded parking lot. Just use the app's car locator function to flash the lights or honk the horn. With Volvo On Call, you can also check your fuel level, log journey data, and find out when your Volvo is due for service.

When you need help, Volvo On Call is ready. Just push a button and connect to the service center to get roadside assistance. And if you're in a collision that releases an airbag, Volvo On Call will detect it and send help, even if you can't push the SOS button yourself. Plus, Volvo On Call alerts you if your alarm goes off and helps the police track your car if it's stolen.

The app is compatible with your smartphone, iPad®, Windows 10-based PC or tablets, and wearables such as Apple Watch®, and mobile app services are included for 4 years after you purchase your car. Volvo On Call is one more example of human-centric innovations, developed by Volvo Cars to improve your life.

T6 AWD | Inscription
Panoramic Moonroof | 717 Onyx Black Metallic |
21" 8-Spoke Silver Bright Diamond Cut Alloy Wheels, 174

INTELLISAFE

Always looking out for you.

IntelliSafe is our name for the intuitive, intelligent Volvo Cars technologies that support your driving, help to prevent accidents and protect you in a collision. These innovations play a key role in helping us realize our bold vision that, by 2020, no one will be killed or seriously injured in a new Volvo car.

City Safety is at the heart of IntelliSafe. Fitted as standard, it's like a co-pilot who's looking out for you, detecting danger ahead, then warning you and intervening if necessary. City Safety identifies other vehicles, pedestrians, cyclists and large animals ahead of you, even at night. It warns you of any hazards, and if you don't react, it will brake automatically to help avoid or mitigate a collision.

Pilot Assist adjusts the steering to help you keep the car centered in its lane and at a set speed and distance from the car in front. Oncoming Lane Mitigation can help avoid collisions with oncoming

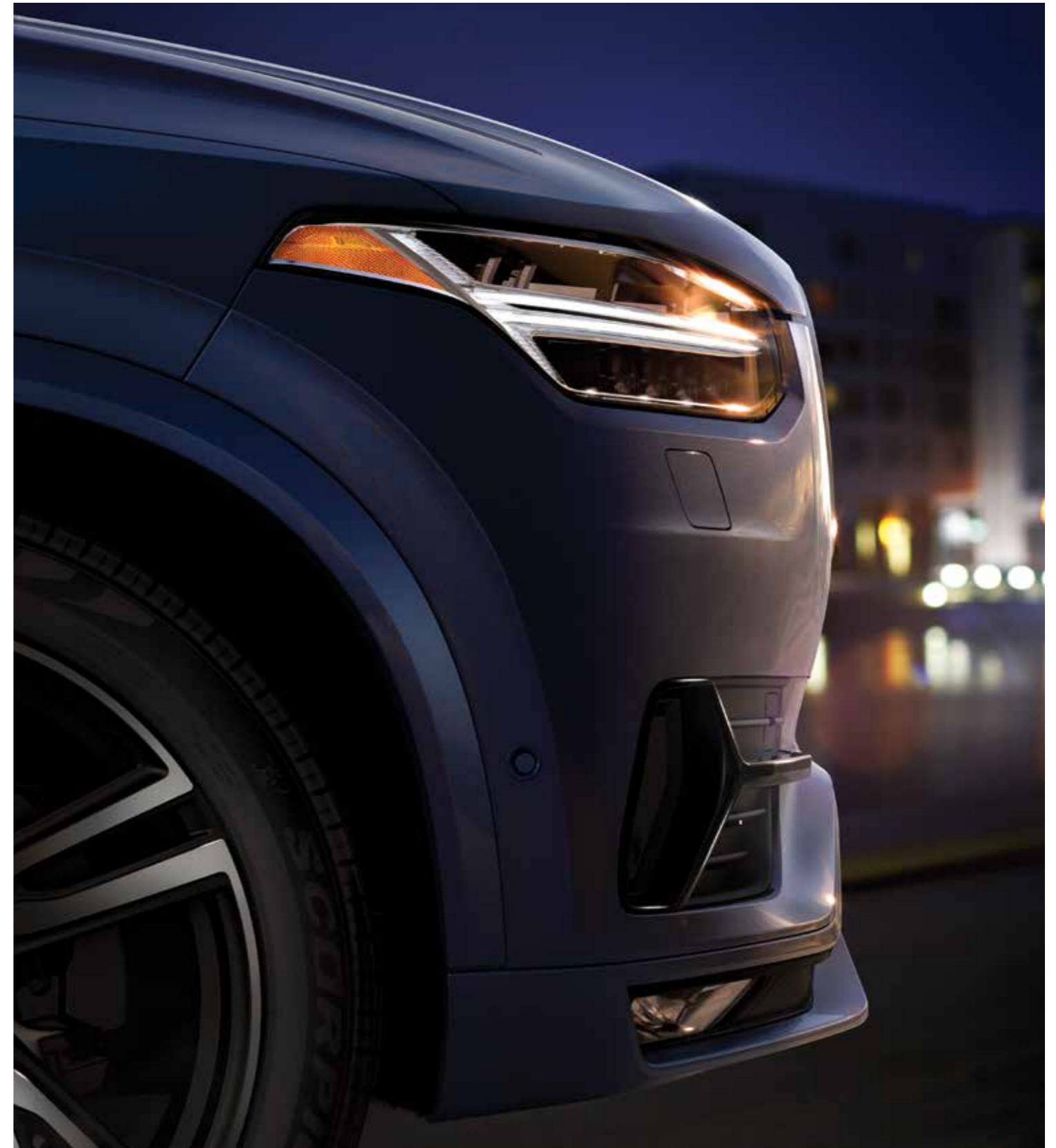
vehicles. If you drift across the lane markings in the way of an oncoming vehicle, your car steers back. Run-off Road Mitigation steers and, if necessary, brakes to help prevent you leaving the road accidentally. Driver Alert Control recognizes if you're tired or distracted and suggests that it's time to take a break, while Road Sign Information reminds you of the speed limit.

With IntelliSafe you will get BLIS™ (Blind Spot Information System) with Steer Assist for increased awareness and confidence on the highway, alerting you to vehicles alongside you. If you don't react to the warning and start to drift into the path of another vehicle, the Steer Assist function will gently guide you back into your lane.

With safety technology that's as advanced as this, your Volvo can help make every day safer. For you, your passengers and everybody.

Light up the dark. Our signature design LED headlights combine an impactful look with safety and convenience. They have an especially wide and long beam pattern. Active High Beam technology allows you to stay on high beam all the time – no flicking between high

and low beams necessary. When you meet another vehicle, our Full-LED Active Highbeam lights automatically shift between highbeam and lowbeam to avoid dazzling – you still get the benefit of a brightly lit road.



With Oncoming Lane Mitigation, your Volvo helps reduce the risk of colliding with an oncoming vehicle. Working at speeds between 40mph and 86mph, it automatically helps you steer back into your lane if it detects that you have crossed the lane markings and into the path of an oncoming vehicle.

With Pilot Assist, your Volvo makes your journey easier and more relaxing. Pilot Assist helps keep your Volvo at a set speed or a set distance from other vehicles, and at speeds of up to 80mph, it helps keep the car in the center of the lane by making small adjustments to the steering.

Cross Traffic Alert, helps you to reverse out of a space knowing that there are no vehicles about to collide with you. This technology can spot vehicles approaching from either side of your Volvo at a distance of up to 98 ft. In some circumstances, it can also detect approaching cyclists and pedestrians.

T6 AWD | Inscription
707 Crystal White Metallic | Exterior Styling Accessories Urban |
20" 10-Spoke Tinted Silver Diamond Cut Alloy Wheels, 173



T6 AWD | R-Design
Panoramic Moonroof | 720 Bursting Blue Metallic



Perfect parking, every time. Park Assist Pilot tells you if a parking spot is the right size for your Volvo and then takes over the steering to slot it in. It requires a space just 1.2 times the length of your Volvo, so it can tackle even the tightest of spaces. Engage a gear, accelerate and brake according to the screen prompts and your Volvo will take over the steering completely to maneuver your car into the space. If you want to park the car yourself, the optional 360° Surround View Camera will help you fit into the space with confidence.



PROTECTING WHAT'S MOST IMPORTANT.

Protecting you and your passengers has always been our priority at Volvo Cars, and our latest generation of cars does more than ever to keep you safe. From preventive technology that helps you avoid collisions to protective features that cushion the impact of any collision, we will never stop innovating in order to improve your safety.

The foundation for our new generation of cars is a very strong passenger compartment that uses a high percentage of ultra high-strength (boron) steel to create a protective cage around you

and your passengers. Should your car leave the road, Run-off-Road Protection technology reduces your chances of suffering serious injury. Prepared front seat belts automatically tighten when the car senses that an impact is imminent, ensuring that you and your passenger are in the safest position if a collision occurs. If the car leaves the ground as a result of running off the road, our unique energy-absorbing seats help to protect your spine in the event of a hard landing.



The sculpted front seats in the XC90 are more than just beautiful to look at. Their unique structure helps to absorb vertical impacts, helping to protect your spine if the car lands heavily after leaving the road.

Prepared seat belts tighten automatically if the car detects that a collision is likely, to ensure you're in the safest position should one occur.



T8 eAWD Plug-In Hybrid | Inscription
 717 Onyx Black Metallic | 21" 8-Spoke
 Silver Bright Diamond Cut Alloy Wheels, 174

"Balancing performance and efficiency, every Volvo powertrain gives you on-demand power with low fuel consumption and emissions."

DRIVE-E

Enjoying more, using less.

Drive-E is our new generation, all-embracing approach to efficient power and an uncompromising driving experience. In fact, it redefines how luxury cars will be powered in the 21st century. It delivers the performance and driving enjoyment you'd expect from a luxury SUV as well as reduces the impact on the environment. This means you get power and driveability together with low fuel consumption and CO₂ emissions.

The key to this is our new, lightweight, low-friction, turbo, and turbo/super-charged 2.0L four-cylinder engine, which is coupled with our newly-designed automatic eight-speed Geartronic™ transmission. To maximize the efficiency of our Drive-E powertrains, there's an Eco Mode, which calibrates the gearbox and engine control systems for the lowest possible fuel consumption. Eco Mode also softens the throttle response to further boost efficiency. Since the air-conditioning impacts fuel use, it is partly disengaged in Eco Mode, although it can be fully switched on manually. There's also the Eco-Coast function, which uses the car's kinetic energy to save fuel. When the driver stops pressing the accelerator at speeds above 40mph, there is no engine braking; the car just coasts along with the engine at idle. Finally, the Start/Stop system also plays its part in lowering fuel consumption.

This technology enables us to offer the power of a much larger engine from a compact four-cylinder to achieve the perfect mix of power and efficiency.



T8 eAWD Plug-In Hybrid | Inscription
707 Crystal White Metallic | 21" 8-Spoke
Silver Bright Diamond Cut Alloy Wheels, 174

DOUBLE POWER.

With advanced powertrain technologies, such as electrification, we aim to provide you with an unrivaled driving experience. In fact, we've focused on electrification and Plug-In Hybrid technology for more than 40 years. This experience together with advanced research put Volvo Cars in the forefront of technology. Our latest powertrain advancement, the high-performance T8 eAWD Plug-In Hybrid technology, allows you to enjoy an involving drive as well as cutting CO₂ emissions.

Combining a super and turbocharged 2.0L Drive-E gas powertrain with an electric motor, the T8 eAWD Plug-In Hybrid puts out an astonishing amount of horsepower, with a tremendous amount of torque. But it can also be driven with fuel consumption and emission levels that would put a compact car to shame. Not only does this gas Plug-In Hybrid offer performance and fuel efficiency – because the compact, high-capacity battery is mounted centrally along the transmission tunnel, the XC90 T8 eAWD Plug-In Hybrid also handles supremely well.

It's versatile, too – the Plug-In Hybrid features different drive modes to suit virtually any driving environment. Pure mode is all about reducing fuel consumption and emissions.

Working at speeds of up to 78mph, it uses electric power as much as possible, sending it to the rear wheels. But because the high-performance gasoline engine can be called upon at any time, there's never any worry about distance.

Hybrid is the default mode. Geared to maximum comfort, this uses the electric motor at the rear wheels as well as the gasoline engine, which drives the front wheels. It does this either individually or in parallel to achieve an optimum balance between performance and efficiency.

The Power mode, on the other hand, unleashes the combined forces of gas and electric at the same time to all four wheels, while steering, transmission and brakes are tuned for sportiness. The eAWD (all-wheel drive) mode improves traction, and in addition, the Off Road mode engages an electronically-controlled, limited slip differential function and can help you negotiate poor roads at speeds below 25mph. Your XC90 can be a silent-running zero-emission city car, a blistering performance SUV, a supremely versatile seven-seater or a reassuring companion in challenging conditions.



As a symbol of the pure electric mode of your XC90 T8 eAWD Plug-In Hybrid, the gear shifter is made of pure Swedish crystal by Orrefors®.

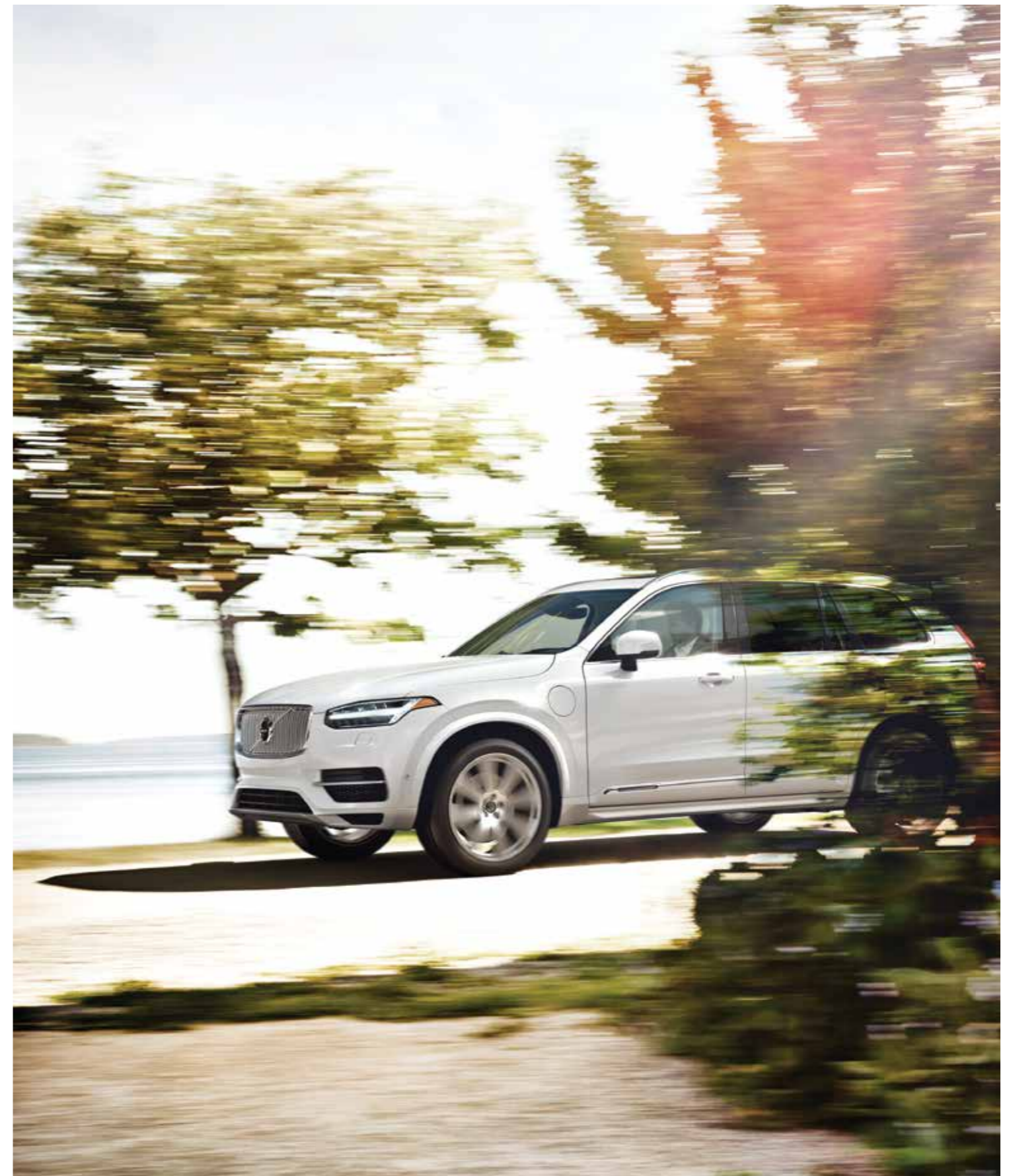


Throughout its life, our XC90 will consume less fuel than comparable rivals with larger displacement engines, which results in large fuel savings and lower CO₂ emissions.



The XC90 T8 eAWD Plug-In Hybrid gives you pure electric driving with zero emissions in whispering-quiet comfort, covering many everyday driving scenarios.

"Our very powerful T8 eAWD Plug-In Hybrid delivers astonishing performance without compromising on fuel efficiency and low emissions."



T8 eAWD Plug-In Hybrid | Inscription
707 Crystal White Metallic | 21" 8-Spoke
Silver Bright Diamond Cut Alloy Wheels, 174

Our Plug-In-Hybrid technology means you get an uncompromising driving experience with excellent fuel economy and low CO₂ emissions all at the same time. That's why this solution is as important today as it is in our future.

Our XC90 T8 eAWD Plug-In Hybrid is the latest milestone on this journey. In addition to a super and turbocharged high-performance gasoline engine, it has a potent electric motor which delivers instant and impressive torque to the rear wheels. This motor is powered by high-capacity batteries mounted centrally along the transmission tunnel. It's an intelligent positioning which gives you excellent weight distribution and therefore outstanding handling.

The T8 eAWD can handle local driving in pure electric mode, but because the high-performance gasoline engine can be called upon at any time, there's never any worry about distance.

Charging the battery is easy. Drive the car and the battery charges itself, thanks to regenerative braking. If you need to top it up, plug it into the mains supply and the battery can be fully charged in under three hours. Adding to your convenience, the Volvo On Call app shows battery and charge status. It also allows you to remotely schedule battery charging using a timer function.



T8 eAWD Plug-In Hybrid | Inscription
 717 Onyx Black Metallic | 21" 8-Spoke
 Silver Bright Diamond Cut Alloy Wheels, 174

FIRM CONTROL WITH A VELVET TOUCH.

The XC90 also incorporates our very latest electronic support systems that constantly adjust to changing road conditions and driving styles. For example, our Hill Start Assist function makes it easier to start off on a steep hill. And for difficult roads and poor weather conditions, all-wheel drive and Hill Descent Control ensure you embark on your journey with confidence.

The XC90 is available with air suspension on all four wheels, which includes a very advanced, electronically-controlled damper system. Not only does this give you outstanding ride comfort – you also have the option to choose between different drive modes, which cater to individual driving styles and increase the car's versatility in all road and weather conditions.

In Comfort mode, the air suspension is tuned for maximum comfort, while Eco mode optimizes settings for low fuel consumption and CO₂ emissions. Dynamic or Power mode lowers the car by 0.8" at higher speeds to optimize aerodynamics and handling, while the Off Road mode increases ground clearance by 1.6" at low speeds. The modes are simple to change using an elegant and ergonomic roller control between the front seats.

With the air suspension system, you can also lower the rear of the car by 2.0" by pushing a button inside the cargo area. This makes it easier to lift heavy items into your car, or to attach a trailer to its tow hook.



Choose the Off Road mode and the air suspension will raise the car by 1.6". Hill Descent Control is activated at the same time: the car brakes for you on steep gradients – all you need to do is steer. The Off Road mode gets your XC90 to navigate challenging terrain – all you need to do is turn the elegant drive mode selector to the desired position.



T6 AWD | R-Design
 720 Bursting Blue Metallic | 22" 5-Double Spoke
 Tech Matte Black Diamond Cut Alloy Wheels, 175



YOUR JOURNEY BEGINS HERE.

We created the XC90 with one single purpose: to provide you with an SUV that perfectly fits you and your lifestyle. A car that meets your expectations of a dynamic drive with refined comfort and sophisticated design.

At the heart of your XC90 is a dynamic, efficient powertrain. Whichever you choose, you will enjoy our latest Drive-E technology that gives you instant response and a smooth ride. Fuel consumption and CO₂ emissions are kept low, and our powertrains already comply with future exhaust emission legislation.

Our Drive-E powertrain range includes advanced gas engines mated to our smooth eight-speed Geartronic™ automatic gearbox, available with responsive AWD all-wheel drive technology or front-wheel drive. And for the ultimate combination of performance and efficiency in your XC90, there's the option of our T8 Twin Engine eAWD powertrain with Plug-In-Hybrid technology.

Make your choice, and enjoy the journey wherever it takes you.

T8 eAWD Plug-In Hybrid

Our T8 eAWD Plug-In Hybrid powertrain delivers an exhilarating drive with uncompromised efficiency. Combining a high-performance gasoline engine and an electric motor, this combined 400 hp/472 lb-ft powertrain allows outstanding highway performance and zero emission commuting – with all-wheel drive capability when needed.

T6 AWD

This high-performance 316 hp/295 lb-ft powertrain provides excellent driving dynamics without compromising on efficiency. Combined super-charger/turbo technology, responsive all-wheel drive and our smooth 8-speed Geartronic™ put you in control of your drive.

T5 FWD/AWD

The 250 hp/258 lb-ft powertrain is as responsive on the highway as in the city. This superb all-rounder delivers generous power just where you need it, ensuring excellent driveability in combination with our smooth 8-speed Geartronic™ automatic.

T6 AWD | Inscription
 717 Onyx Black Metallic | 21" 8-Spoke
 Silver Diamond Cut Alloy Wheels, 174



Volvo XC90 Momentum
 The high level of standard equipment meets your demands on style, comfort and safety.



Volvo XC90 R-Design
 The thrill of a spirited drive, characterized by style, responsiveness and control.



Volvo XC90 Inscription
 The highly sophisticated expression.



Volvo XC90 Excellence
 The lavish four-seat SUV, epitomizing the finest Scandinavian design and craftsmanship.

CREATE THE VOLVO XC90 OF YOUR CHOICE.

To ensure you get your XC90 exactly as you want it, we have created a wide range of options, trim levels and personal expressions. The standard Momentum trim level provides you with the poise and technology you need as a discerning driver. Or if you're in for a more sporty style inside and out – take a look at R-Design. Maybe

you want to indulge your senses in the finest. Then you'll feel at home with Inscription or – for the ultimate experience of craftsmanship and design – the lavishly appointed XC90 Excellence. Whatever you prefer, you can rest assured there's a Volvo XC90 for you.

THE RIGHT EQUIPMENT FOR YOUR DRIVE.

Choosing a Volvo XC90 is easy. And now all you need to do is select the trim level that's right for you. Already our standard Momentum trim level will provide you with a high level of technology that will meet high demands on style, comfort and safety. For example, you can enjoy Sensus Connect with enhanced connectivity – such as the intuitive operation of the 9" center display with touchscreen and voice control – and the clear sound reproduction of our High-Performance audio system. Our CleanZone technology ensures you and your passengers can enjoy fresh cabin air even when driving in the city.

And of course, you get our world-leading IntelliSafe technologies including the award-winning City Safety Collision Avoidance Technology, Lane Keeping Aid, Road Sign Information, Run-off Road Mitigation, Oncoming Lane Mitigation and IntelliSafe Assist with semi-autonomous driving technologies such as Adaptive

Cruise Control and Pilot Assist as standard.

Our signature headlights with LED illumination together with bright deco exterior design elements and 19" wheels will add to the exclusiveness and road presence of your XC90. On the inside, aluminum tread plates welcome you every time you enter the cabin of your SUV. The stylish Leatherette or optional Leather upholstery and cross-brushed aluminum decor inlays further complement the interior ambience. A power adjustable 4-way lumbar support for the front seats including vertical adjustment makes it easy to optimize the support to your needs. And when it's dark, the upgraded interior illumination enhances the luxurious feeling inside your XC90. You also have the benefit of a power-operated tailgate with comfort-opening hands-free function – just move your foot beneath the rear bumper and the tailgate opens at your convenience.



MOMENTUM

Includes:

Exterior:

19" Alloy Wheels (Standard T6, Optional T5) | Aluminum Roof Rails | Bright Deco Exterior, Front | LED Headlights with Automatic Level Adjuster | Dual Visible Tailpipes in Chrome (T5, Integrated T6 and T8) | Front Grill High-Gloss Black with Chrome Frame | Fully Color Adapted Sills and Bumpers | Park Assist, Rear | Power-Operated Tailgate | Retractable Rear-View Mirrors | LED Foglights in Front Spoiler (Not Available on T8)

Interior:

4-Way Power Adjustable Lumbar Support, Front Seats | Automatically Dimmed Inner Rear-View Mirror | Cargo Opening Scuff Plate in Stainless Steel | CleanZone | Comfort Seats with Leatherette Upholstery (T5, Leather T6 and T8) | Crossed Brushed Aluminum Decor Inlays | High-Performance Audio (9" Sensus Touchscreen) | Interior Mid Level Illumination | Metal Tread Plates, Front and Rear | Textile Floor Mats | Uni Deco Inlay in Steering Wheel | Drive Mode Settings.

Sensus:

8" (T5) and 12.3" (T6 and T8) Driver Display | 9" Center Display | High-Performance Audio System | Sensus Navigation | Smartphone Integration with Apple CarPlay and Android Auto

IntelliSafe:

City Safety | Pilot Assist- Semi-Autonomous Drive with Adaptive Cruise Control | Lane Keeping Mitigation | Lane Departure Warning | Driver Alert Control | Road Sign Information | Run-off Road Mitigation | Oncoming Lane Mitigation



1. XC90 Momentum with LED illumination and 19" wheels. (Standard T6, Optional T5) 2. Signature LED illumination, the High-Gloss black grill and bright deco exterior details contribute to a both powerful and elegant appearance. 3. Park Assist supports you when reversing and the chrome dual tailpipes give your XC90 a more dynamic look. (T5) 4. The raised aluminum roof rails enhance the SUV style. 5. Sensus Connect includes the 12.3" Digital Driver Display, the 9" Sensus Touchscreen, voice control, USB inputs and our High Performance audio system with 10 speakers, Bluetooth® audio streaming, and Smartphone Integration 6. Cargo opening scuff plates in stainless steel for stylish and convenient loading.



18" 5-Spoke
Sparkling Silver, 233
(Standard T5)



19" 10-Spoke Turbine
Silver Bright, 172
(Standard T6, Optional T5)



19" 6-Spoke Turbine
Silver Bright, 177
(Standard T8)



20" 5-Double Spoke
Tech Matte Black Diamond Cut, 234
(Optional T5 and T6)



21" 5 V-Spoke
Black Diamond Cut, 1014
(Optional T6 and T8)



614
Ice White



707
Crystal White Metallic



711
Bright Silver Metallic



714
Osmium Grey Metallic



717
Onyx Black Metallic



719
Luminous Sand Metallic



722
Maple Brown Metallic



723
Denim Blue Metallic



724
Pine Grey Metallic

MOMENTUM

Providing a wide range of exterior colors and wheels, the Volvo XC90 allows you to create an SUV that's really you. Elegant 19" wheels in silver finish come standard, and you have the option of larger 20" or 21" wheels. The exterior color you choose has a

dramatic impact on the personality of your XC90. Available in different variations, each color imbues your SUV with a sense of luxury and presence.



Comfort Seat



Contour Seat



MOMENTUM

The interior of the XC90 is created with you at the center of attention. Every detail, every line, every shape is testimony to our designers' pursuit to create a space in which you feel relaxed and in complete control. The Momentum trim level features Comfort Seats upholstered in Charcoal Leatherette. For a more sumptuous look and feel, you can upgrade to optional Leather available in

several different interior color combinations to suit your personal preferences. Also designed with you in mind, the optional contour seats with 22-way adjustable functionality. The interior ambience is further enhanced by decor inlays in brushed aluminum and aluminum tread plates.

UPHOLSTERIES 1. Amber in Charcoal Interior, RA20 2. Amber in Charcoal Interior, RB21 3. Blond in Blond/Charcoal Interior, UA00 4. Blond in Blond/Charcoal Interior, UB01 5. Charcoal in Charcoal Interior, RA00 6. Charcoal Leatherette in Charcoal Interior, RB01 7. Charcoal Leatherette in Charcoal Interior, RD00 8. Cross Brushed Aluminum Inlays, 437 9. Dark Flame Birch Inlays, 458.

R-DESIGN

INSPIRED BY THE ART OF DRIVING.

If you love to drive, the XC90 R-Design is for you. With a unique personality, R-Design captures the thrill of a spirited driving experience characterized by style, responsiveness and control. A wealth of distinguished design details raises the dynamic soul of your Volvo SUV and gives it a sportier, more distinct road presence. It's an expression that catches the eye from every angle and hints at the promise of an amazing drive, every time. And you can rest assured

that the XC90 R-Design will deliver. Surrounded by meticulously crafted and expressive interior design details, you can feel it right from the moment you take your position in the sculpted R-Design driver seat. Everything – from the R-Design steering wheel with gearshift paddles to the Charcoal headlining – is there to inspire and support your driving.

R-DESIGN

Includes Momentum features in addition to:

Exterior:

20" Alloy Wheels | Bright Integrated Roof Rails | Mirror Caps in Matte Silver | R-Design Dual Integrated Tailpipes | R-Design Front Grill | R-Design Front Spoiler | Silk Metal Window Trim

Interior:

12.3" Digital Driver Display | Charcoal Headlining | Gearshift Paddles on Steering Wheel | Interior High Level Illumination | Metal Mesh Decor Inlays | Power Cushion Extension, Driver and Passenger Seat | Power Driver Seat with Memory Function for Seat and Side Mirrors | Power Seat, Passenger with Memory Function | R-Design Illuminated Tread Plates, Front and Rear | R-Design Leather Gearshift Lever | R-Design Leather Key Remote | R-Design Mats, Front and Rear | R-Design Pedals | R-Design Perforated Leather Steering Wheel | R-Design Contour Seats with Nubuck & Fine Nappa Leather Upholstery

T6 AWD | R-Design

720 Bursting Blue Metallic | 22" 5-Double Spoke
Tech Matte Black Diamond Cut Alloy Wheels, 175





1



2



3



4



5

R-DESIGN

R-Design is Volvo in smart designer sports gear – it's all about a performance-inspired look and feel, both inside and out. It's a truly eye-catching expression with sporty exterior design cues, such as its own distinctive grill in High-Gloss black with Silk Metal frame, front spoiler, stylish Silk Metal window trim, Bright Silver matte finish door mirror caps, prominent dual tailpipes and striking 20" alloy wheels. Our signature headlights with LED illumination provide excellent vision and a distinctive attitude on the road. And for an even better vision in the dark, the R-Design comes standard with the Full-LED Active High Beam Illumination.

On the inside, the illuminated R-Design tread plates in Silk Metal finish greet you onboard. The refined sporty theme with Metal Mesh decor inlays, Charcoal headlining and fully power-operated R-Design Contour Seats with a unique Nubuck/Nappa Leather upholstery. Together, these features give the cabin a technical,

cockpit-like feel. R-Design logotypes and distinctive stitching in the seats, the gear shifter and the steering wheel in perforated leather all reinforce the sporty yet elegant ambience. The power-operated front seat cushions further enhance your thigh support for improved comfort during long drives. And when it's dark, our most advanced interior illumination enhances the exclusive ambience inside your XC90 R-Design. Further adding to your sense of being in control, the R-Design also provides you with our largest 12.3" Digital Driver Display and gearshift paddles. Conveniently positioned in the tunnel console between the front seats, there's also a drive mode control that allows you to shift between four driving characteristics – Comfort Mode, Dynamic Mode, Eco Mode and Individual Mode.

The XC90 R-Design is available with all powertrains including our T8 eAWD Plug-In Hybrid.



6



7

1. The XC90 R-Design in exclusive Bursting Blue metallic with 20" Tech Matte Black Diamond Cut wheels. 2. R-Design door mirror caps in contrasting silver look. 3. The R-Design interior featuring Contour Seats with Nubuck/Nappa Leather upholstery, R-Design textile mats, R-Design steering wheel with gearshift paddles, 12.3" Digital Driver Display with four graphic modes, Carbon Fiber Inlays (Optional) and Bowers & Wilkins audio system (Optional). 4. R-Design is available for all powertrains. 5. Dual integrated tailpipes for a distinctive road presence. 6. The signature LED illumination together with the R-Design front grill and spoiler add to the dynamic character. 7. The 22" Tech Matte Black Diamond Cut Alloy Wheels with Performance Summer Tires for the ultimate R-Design experience.



20" 5-Spoke
Tech Matte Grey Diamond Cut, 150
(Standard)



22" 5-Double Spoke
Tech Matte Black Diamond Cut, 175
(Optional, Requires Performance Summer Tires)



477
Electric Silver Metallic



612
Passion Red



707
Crystal White Metallic



714
Osmium Grey Metallic



717
Onyx Black Metallic

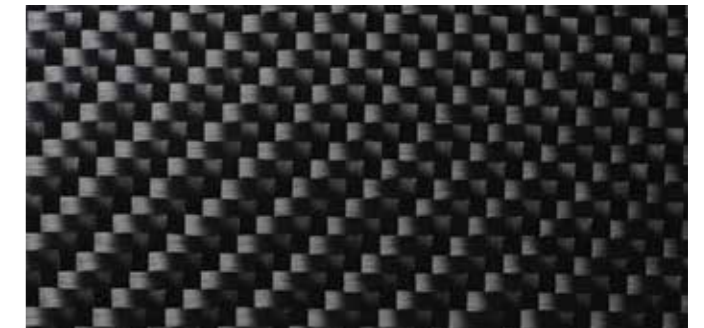
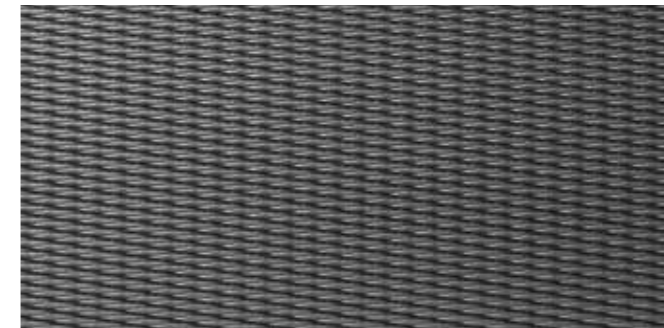


720
Bursting Blue Metallic

R-DESIGN

The exterior leaves no doubt about the intention of your XC90 R-Design. The exterior colors are carefully selected to match the car's dynamic character, each with its unique expression – especially Passion Red and Bursting Blue Metallic, exclusively created for R-Design. Passion Red is the iconic sporty color, while Bursting

Blue Metallic adds a techy, sporty look that perfectly highlights the body inserts in high-gloss black and silk metal finish. The 5-Spoke R-Design 20" in Grey or 22" wheels in Matte Black Diamond Cut give your XC90 R-Design a superior road presence that puts your SUV in a class of its own.



R-DESIGN

Inside your XC90 R-Design, you can enjoy a dynamic and driver-focused interior made of high-class materials. The sculpted power-operated R-Design Contour Seats will provide relaxed support through any twists that the road has in store, while the exclusive Nubuck and Nappa Leather upholstery with

contrasting stitching provides a sporty yet sophisticated feel with 22-way adjustable functionality. A sensation further enhanced by the decor inlays in Metal Mesh or Carbon Fiber that perfectly complement the Charcoal Interior.

UPHOLSTERIES Nubuck and Nappa Leather (Standard) **1.** Charcoal Nubuck & Nappa Leather in Charcoal Interior, RBOR **2.** Metal Mesh Aluminum Inlays, 440 (Standard) **3.** Carbon Fiber Inlays, 480 (Optional) **4.** R-Design Leather Key Fob Available in Charcoal Perforated Leather.

Inscription

A HIGHER GRADE OF LUXURY.

We created the exclusive XC90 Inscription to meet your highest expectations of Swedish luxury. It's a highly personal expression that evokes a strong sense of elegant refinement. Each detail is carefully selected to give you and your passengers a sophisticated and invigorating experience. Distinguished exterior design cues enhance the

luxurious look and feel of the XC90, while the meticulously crafted interior gives you ample room for a relaxed driving experience. The XC90 Inscription epitomizes our proud heritage of human-centric design. And when it comes to intelligent luxury imbued with distinctive style and fresh thinking, the XC90 Inscription is in a class of its own.

INSCRIPTION

Includes Momentum features in addition to:

Exterior:
21" Alloy Wheels (Optional) | Bright Deco Exterior, Rear | Bright Deco Molding with Embossed Inscription Logotype, Side | Bright Integrated Roof Rails | Dual Integrated Tailpipes | Color Coordinated Door Handles with Bright Decor | Inscription Front Grill

Interior:
12.3" Digital Driver Display | Comfort Seats with Fine Nappa Leather Upholstery | Inscription Mats, Front and Rear | Illuminated Metal Tread Plates | Interior High Level Illumination | Leather Key Remote | Linear Walnut Wood Inlays | Power Driver Seat with Memory Function for Seat/Side Door Mirrors | Power Seat, Passenger with Memory Function

T6 AWD | Inscription
717 Onyx Black Metallic | 21" 8-Spoke
Silver Diamond Cut Alloy Wheels, 174





1



2



3



4



5



6

INSCRIPTION

The highly sophisticated XC90 Inscription expresses the essence of contemporary luxury. Instantly recognizable thanks to its distinctive chrome-finish grill and lower door bright deco molding, this expression sets the XC90 apart thanks to a number of well-judged exterior design cues that correspond with the car's timeless Scandinavian design. The large 20" wheels harmonize perfectly with the metal finish of the bright deco body inlays and the integrated roof rails. Together with the elegant dual integrated tailpipes, the wheels also contribute to the car's confident stance. Our signature LED Illumination contributes to both a strong visual identity and excellent vision in the dark. And for an even better and uninterrupted beam pattern, our advanced Full-LED Active High Beam illumination technology improves visibility.

Every time you open the door, the Inscription tread plates provide an illuminated welcome. The luxurious theme continues with authentic, finely crafted materials that create a lounge-like atmosphere of sumptuous well-being. You and your passengers can lean back in sculpted power-operated Comfort Seats with Fine Nappa Leather Upholstery. Decor inlays in exclusive Linear Wood, Inscription floor mats and our most advanced ambience

interior illumination add to the rewarding Inscription experience. And for you as driver, the large 12.3" Digital Driver Display and convenient drive mode settings in the console between the front seats add to your feeling of being in command. And to enhance your driving experience, our optional Active chassis with air suspension optimizes comfort and handling – select between five different chassis settings with the Drive Mode control.

For an even higher level of comfort, you can complement the ventilated front seats with massage functions. The standard four-zone climate control allows both the driver and the front seat passenger as well as the outer passengers in the second row to set their individual cabin temperature. And with the panoramic moonroof, everyone inside your XC90 will enjoy a superb experience of air and light – the front section can be opened at a push of button and during sunny days a power-operated sunshade in perforated textile will reduce the heat and glare while maintaining the airy feel inside the cabin. And turning your XC90 into a concert hall, our optional high-end audio system Bowers & Wilkins brings exceptional clarity and realism to your music, wherever you're seated.



7



8

1. The signature headlights with LED illumination combine a distinct identity with excellent vision in the dark. 2. Inscription front grill in elegant chrome finish. 3. Dual integrated tailpipes and bright deco trim add to an elegant and powerful impression. 4. Meticulously crafted 21" Inscription Alloy Wheels (Optional). 5. The intuitive 12.3" Digital Driver Display with four graphic modes. 6. Drive mode scroll wheel in diamond-patterned metal finish and the Linear Walnut Wood Inlays. 7. The lower door bright deco molding with Inscription logotype. 8. The exclusive Inscription Leather key fob.



20" 10-Spoke
Tinted Silver Diamond Cut, 173
(Standard)



21" 8-Spoke
Silver Bright Diamond Cut, 174
(Optional)



21" 5 V-Spoke
Black Diamond Cut, 1014
(Optional)



614
Ice White



707
Crystal White Metallic



711
Bright Silver Metallic



714
Osmium Grey Metallic



717
Onyx Black Metallic



719
Luminous Sand Metallic



722
Maple Brown Metallic



723
Denim Blue Metallic



724
Pine Grey Metallic

INSCRIPTION

The XC90 Inscription exterior with its subtle touches is a timeless expression of classical Scandinavian design. The exterior color palette allows you to create the XC90 Inscription that best reflects your

style and preferences. Available in distinctive diamond cut design, the 20" or 21" wheels connect visually with the exterior design cues to create a harmonic impression of contemporary elegance.

Comfort Seat



INSCRIPTION

Inside the XC90 Inscription, you are surrounded by thoughtful luxury. There are genuine materials and fine craftsmanship wherever you look – a sensory experience further enhanced by the ergonomically designed Comfort Seats in Fine Nappa Leather. Adding to your well-being, the Comfort Seats come standard

with ventilation and optional massage function. And to make it easy to give the interior your own signature, you have an extensive range of interior color, upholstery and decor inlay combinations to choose from.



1



2



3



4



5

UPHOLSTERIES Fine Nappa Leather, Comfort Seat (Standard) **1.** Blond in Blond/Charcoal Interior, UC00 **2.** Charcoal in Charcoal Interior, RC00 **3.** Maroon Brown in Charcoal Interior, RC30 **4.** Amber in Charcoal Interior, RC20 **5.** Linear Walnut Wood Inlays, 315



THE BEST OF EVERYTHING.

The Volvo XC90 Excellence has a unique concept at its heart – combining all the virtues of our acclaimed SUV with the opulence of a contemporary first-class cabin. This lavishly-appointed four-seat SUV brings a new, fresh perspective on luxury. The interior has been meticulously crafted to provide an atmosphere of tranquility and luxurious seclusion for you and your guests. Whether you relish the experience in either of the front seats or relax in the back, you

can enjoy first-class accommodation in individual Fine Nappa leather seats with advanced ventilation and massage functions. Handcrafted Orrefors® glasses in genuine Swedish crystal are within easy reach, and one of the world's finest in-car audio systems Bowers & Wilkins ensures a perfect sound. The XC90 Excellence is a treat for your senses all the way, with a distinct Swedish feel.

EXCELLENCE

Includes Inscription features in addition to:

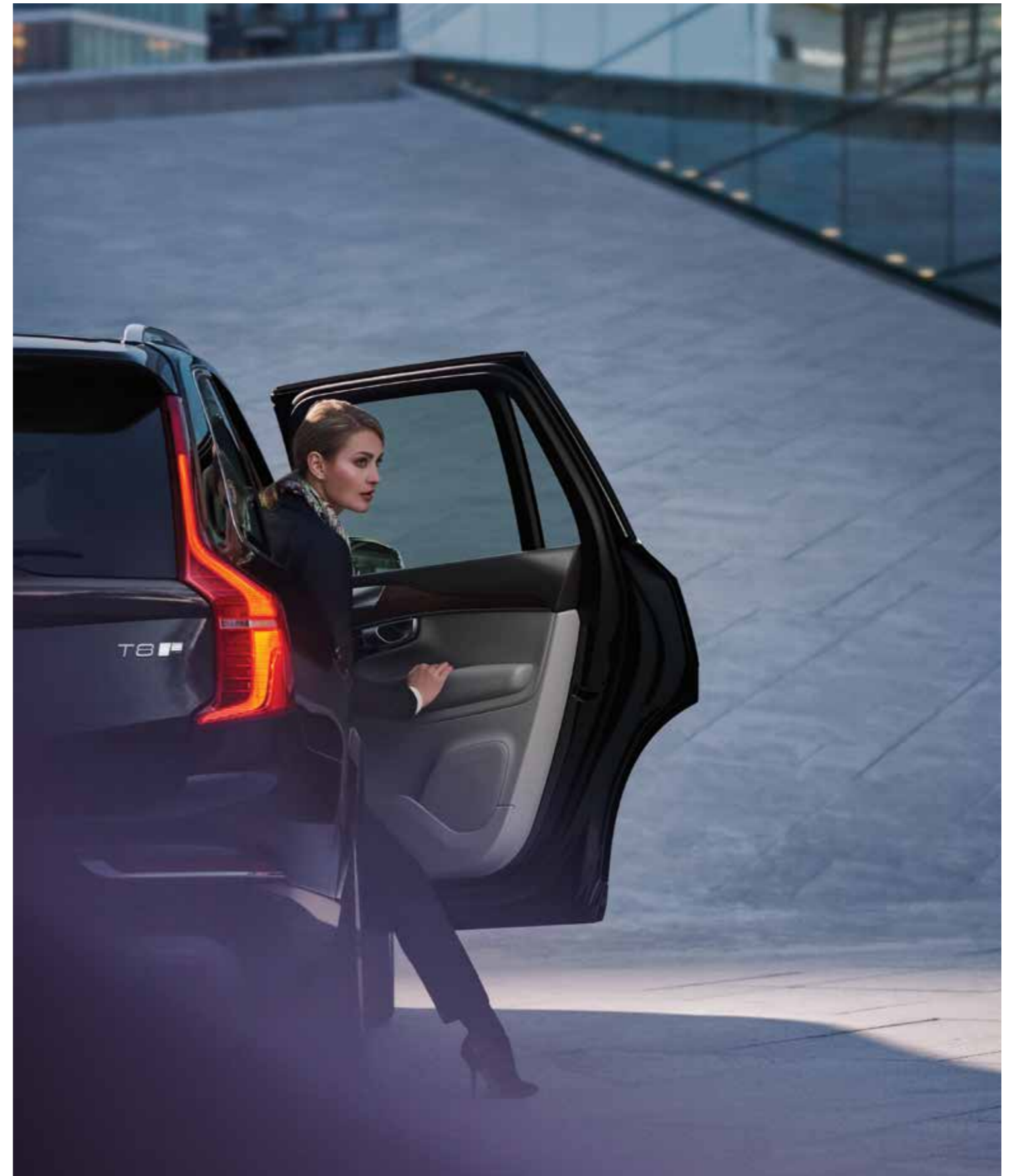
Exterior:

21" 10-Spoke Alloy Wheels | Bright Decor B and C-Pillar Cappings | Unique Logotype on the Lower Door Chrome Strip | Unique Tailgate "Rank Mark" | Special Low-Noise Tires

Interior:

Leather Key Fob with Unique Logotype | Nubuck Headlining and Roof Pillars | Leather-Clad Sun Visors | Leather-Clad Grab Handles | Head Restraints with Embossed Unique Logotype | Two Separate Rear Seats | Special Comfort Rear Head Restraints/Rests | Rear Footrests | Increased Rear Legroom | Leather-Clad Front Seat Rear Sides | Rear Touchscreen | Rear Tunnel Console | Rear Center Armrest with Storage Compartment Underneath | Two Rear USB-Connections, One 12 V and One 110 V Outlet | Slim Storage Compartments on Either Side of the Rear Tunnel Console | Rear Heated/Cooled Cup/Bottle Holder | Handcrafted Orrefors® Crystal Glasses | Rear Holder in Orrefors® Crystal for the Two Crystal Glasses or Two Cups | Rear Folding Tray Tables | Beverage Cooler | Extra Sound Insulation | Passenger/Luggage Compartment Divider | Extra Rear Mid-Range Speaker

T8 eAWD Plug-In Hybrid | Excellence
717 Onyx Black Metallic





1



2



3



4



5



6

EXCELLENCE

This spirit of contemporary style and lavishness is evident in the individual Fine Nappa leather seats of the XC90 Excellence. Each one can be electrically adjusted and reclined for maximum comfort, as well as heated and ventilated. A massage function with five programs and three speeds, power-operated seat cushion extensions, extra-wide winged rear head restraints and superior legroom heighten the XC90 Excellence's spa-like experience. For your convenience, the rear tunnel console also features folding leather individual trays. The rear tunnel console includes two specially-designed Swedish Orrefors® crystal champagne glasses, and a refrigerated compartment between the rear seats keeps your refreshments cool and within convenient reach.

For your listening pleasure, the Bowers & Wilkins audio system reproduces your favorite music in clear and nuanced high-end

surround sound. Outside noise is kept to a minimum, thanks to special low-noise tires, extra-thick sound insulation, double-pane laminated side windows and a sound-insulated divider between the cabin and the luggage compartment.

Our advanced air suspension technology with five electronically controlled drive modes ensures flawless ride comfort in all road conditions. The state-of-the-art four-zone climate system with ionic air cleaner gives the interior air an invigorating freshness, even when driving through polluted areas. The panoramic roof adds to the impression of light and space. The thick carpeting, leather padding on the grab handles and sun visors, as well as the Linear Walnut Wood Inlays and the tailored dashboard further enhance the overall sense of abundant luxury.



7

1. Inspired by exclusive private jet cabins, the two folding leather-clad tray tables can easily be hidden away when they're not needed. 2. The rear tunnel console accommodates the two specially-designed Orrefors® crystal glasses in illuminated crystal cup holders. 3. The four individual seats are upholstered with Perforated Fine Nappa Leather, each featuring an exclusive rhomb pattern. 4. Subtle exterior design cues such as bright decor pillars and 21" 10-Spoke Polished Alloy Wheels confirm the unique status of the XC90 Excellence. 5. The refrigerated beverage compartment holds two 750ml bottles and two Orrefors® crystal glasses. On top, there's an additional Bowers & Wilkins mid-range speaker. 6. Extra-wide winged rear head restraints along with the seats' reclining function and leg extension provide maximum comfort for rest or sleep. 7. A pop-up touchscreen controls rear seat functions. When not in use, it can easily be hidden from view.



477
Electric Silver Metallic



707
Crystal White Metallic



711
Bright Silver Metallic



714
Osmium Grey Metallic



717
Onyx Black Metallic



719
Luminous Sand Metallic



722
Maple Brown Metallic



723
Denim Blue Metallic



724
Pine Grey Metallic



21" 10-Spoke
Turbine Polished Alloy Wheel, 800128



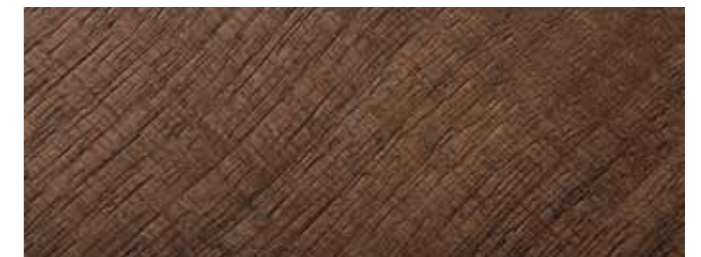
Excellence Seat



1



2



3



4

You'll feel instantly at home in the lavish cabin of the XC90 Excellence. The individual seats are upholstered in perforated Fine Nappa leather with a unique design pattern. You are surrounded by genuine materials – the handmade Linear Walnut Wood Inlays, headlining and roof pillars in Nubuck Tailored dashboard and leather sun visors, tray tables and grab handles add up to a truly luxurious ambience. You have two interior and upholstery color combinations to choose from: Charcoal and Blond.

EXCELLENCE

From the outside, a few subtle design cues reveal the unique character of the XC90 Excellence. The discrete logotypes on the lower door chrome strips and bright decor door pillar chrome trims give your XC90 Excellence an elegant touch together with the dark tinted

rear windows – an impression of powerful elegance that is further enhanced by the 21" 10-Spoke Polished Alloy Wheels. The wide selection of exterior colors allows you to create your very own and personal XC90 Excellence.

UPHOLSTERIES Fine Perforated Nappa Leather **1.** Charcoal in Charcoal Interior, RC04 **2.** Blond in Blond/Charcoal Interior, UC04 **3.** Linear Walnut Wood Inlays, 315 **4.** Nappa Leather Key Fobs

DESIGNED FOR YOUR LIFE.

Enhance the XC90's sophisticated yet capable look with the Urban Luxury Styling Kit, or choose the Rugged Luxury Styling Kit for an even more assertive, robust impression. The remote control can be personalized to match, or contrast, your car's interior trim, with different exterior casings in genuine wood or leather.

Our new child seats combine comfort with state-of-the-art safety and are designed to fit perfectly into your Volvo. Made from Wooltextile, which is 80% wool, they're durable and tough but also soft and breathable, so your children stay comfortable and safe. Our exclusive booster cushion in genuine leather and soft Nubuck Textile with adjustable backrest allows a child to travel in comfort, safely restrained by the car's safety belt. We apply the same stringent

standards to our child seats as we do to building our cars, so you know your children are well protected.

Your car and its load are also protected. An illuminated tailgate scuff plate covers the load sill and enhances the interior's luxurious impression, while a steel grill provides a sturdy barrier between load and passenger compartments. The load compartment divider splits the load compartment in two so you can carry two pets. Add a dog gate to create a secure compartment and a load liner to protect the trunk floor.

Your Volvo Cars Retailer can also offer a wide range of winter wheels for safe driving during the wet and cold season.



1



2



3



4



5



6



7



8



9



10

1. Protective steel grill. Load compartment divider. Dog gate. Load liner. 2. Load compartment mat, plastic.

3. iPad® holder, rear seat. 4. DVD Player. 5. Child seat, booster cushion with backrest, Leather/Nubuck Textile. 6. Red Key Fob, key for car owners who want the car to be driven responsibly. 7. Luggage Compartment Dirt Cover. 8. Aluminum tailgate scuff plate. 9. Personalized Key Fob, Linear Walnut Wood. 10. Luggage Compartment Mat, Molded Plastic.



1



2



3



4

1. Integrated running boards with lighting. 2. Load carriers. 3. Bumper cover. 4. 22" 6-Double Spoke Tech Matte Black Diamond Cut.



5



6

5. If you have an active lifestyle, our roof load carriers are a must. They're specially designed to fit neatly and securely into the mounts and combine with any other holders you might need. No matter what sport you like, our specially designed holders – such as the kayak holder shown here – combine safety with ease of use. 6. Roof box designed by Volvo Cars.



Urban Luxury Styling Kit
707 Crystal White Metallic | Exterior Styling Urban | 21" 8-Spoke Silver Bright Diamond Cut Alloy Wheels, 174

This sophisticated, color-coordinated styling kit with touches of brushed stainless steel adds a luxurious sparkle. The front decor frames and the skid plate in stainless steel enhance the dynamic look. On the side, the wheel arch extensions, door trims and side scuff plates in stainless steel underline the car's muscular yet sleek appearance. The rear skid plate in stainless steel and a lower spoiler lend the tail a dynamic attitude, while the integrated double tailpipes complete the look of elegant power.



Rugged Luxury Styling Kit
707 Crystal White Metallic | Exterior Styling Rugged | 22" 6-Double Spoke Tech Matte Black Diamond Cut Alloy Wheels

With Tech Matte Black accents, this styling kit adds a real sense of purpose. The front decor frames and stainless steel skid plate together with the wheel arch extensions, door trims and integrated running boards with lighting give a rugged yet stylish feel. The stainless steel rear skid plate harmonizes beautifully with the lower spoiler in Tech Matte Black, while double integrated tailpipes provide a powerful finishing touch.

polestar

POLESTAR ENGINEERED OPTIMIZATIONS.

Polestar engineers have taken a holistic approach to form a complete software solution that takes your driving to a new level. Five key functions have been optimized to provide faster response, better balance and more intuitive driving. This results in a car that responds quickly and predictably, which is important for those who engage in active driving, whether on the racetrack or on the road. This software upgrade is available through your local Retailer upon request.

Throttle Response

Throttle response has been recalibrated to provide improved feedback and accelerator reaction – ideal for overtaking or during active driving on a twisting road.

Off Throttle Response

The engine and gearbox have been calibrated to provide faster responses when the driver suddenly releases the throttle, providing improved predictability and control.

Gearshift Speed

Shift speed has been increased, allowing the car to accelerate faster and react more directly to driver input.

Gearshift Precision and Gear Hold

Gearshift has been optimized to provide a more precise driving experience with faster acceleration. Gearshift points have been calibrated to utilize the optimized mid-range engine performance, while the gear hold function maintains the same gear when cornering with high lateral g-force.

Engine Performance

All Drive-E optimizations are made to provide greater performance in the engine's mid-range powerband – perfect for the sporty driver when overtaking, joining a highway or exiting a corner.



SENSUS

SENSUS OPTIONS.

Sensus Connect comes with a host of features as standard: there's voice control, our High Performance audio system, an eye-catching 9" Sensus Touchscreen and our 8" Digital Driver Display. And if you'd like to enhance your experience, there's a wealth of options. For example, you can access selected apps and functions in your smartphone via the center display using Smartphone Integration.

Then, there's Sensus Navigation and the head-up display: together, they make navigating easy and intuitive. And Volvo On Call not only includes a WiFi hotspot and a SIM-card slot, so you can go online via the car's roof aerial – it also lets you interact with your car using a smartphone app, while giving you direct access to emergency support.

SENSUS CONNECT WITH HIGH PERFORMANCE AUDIO SYSTEM

Includes the following standard features:

- 8" Digital Driver Display (T5), 12.3" Digital Driver Display (T6 and T8)
- 9" Sensus Touchscreen
- Bluetooth® audio streaming
- USB Inputs
- Voice control
- Steering wheel controls
- Tethering via WiFi or Bluetooth®
- High Performance audio system (330W, 10 speakers)
- Internet radio via apps
- Volvo On Call with Engine Remote Start 4-Year Complimentary Subscription

In addition, a digital owner's manual and connected service booking are included.

The following apps will be standard:

(Trial period of 6 months or 3 GB data limit included)

- Pandora
- Spotify
- TuneIn (Internet Radio)
- Park & Pay
- Local Search (powered by Google now)
- Yelp
- Weather
- Glympse
- Record & Send
- Volvo ID (Send To Car)
- WikiLocations

For more information, please contact your Volvo Cars dealer.

SENSUS CONNECT OPTIONS

In addition, the following options are available:

- 12.3" Digital Driver Display (T5)
- Head-up display

For more information please see: www.apple.com/ios/carplay/ or www.android.com/auto/

Apple CarPlay and CarPlay are trademarks of Apple Inc. Android Auto is a trademark of Google Inc.

BOWERS & WILKINS

Our top-of-the-line audio system, developed exclusively for your XC90 together with the renowned high-end audio manufacturer Bowers & Wilkins:

- 12-channel 1400 W Class D amplifier
- 19 Bowers & Wilkins speakers, including a subwoofer
- Quantum Logic Surround sound system
- Dirac Dimensions room transformation technology with three room modes: Concert, Studio and Stage
- Dirac Live sound enhancement technology
- Stainless steel tweeter panels

INTELLISAFE

INTELLISAFE OPTIONS.

Your Volvo XC90 comes with comprehensive IntelliSafe technologies as standard, including all the safety you'd expect from a Volvo and more. You'll also get City Safety, which encompasses technologies designed to help avoid collisions with other vehicles, pedestrians, cyclists and large animals. City Safety can also autobrake if you're about to turn into the path of an oncoming car in an intersection, while Oncoming Lane Mitigation helps you avoid collisions with oncoming vehicles by providing automatic steering assistance.

Also included is IntelliSafe Assist that supports your driving with semi-autonomous driving technologies such as Adaptive Cruise Control and Pilot Assist.

Add IntelliSafe Surround, and you'll get the benefit of technology that alerts you to vehicles approaching in your blind spot or from behind and can provide additional steer assist if needed, for your safety and confidence.

INTELLISAFE STANDARD

Includes:

- Pilot Assist – Semi-Autonomous Drive System with Adaptive Cruise Control
- Blind Spot Information System (BLIS) with Steer Assist & Cross Traffic Alert
- Electronic Stability Control
- Rear Collision Warning with braking at standstill
- Driver Alert Control
- Road Sign Information
- Lane Keeping Aid
- Automatic braking after a collision
- City Safety™ (Vehicle detection, Pedestrian and cyclist detection, Autobrake at intersection, Large animal detection)
- Safety cage
- Seat belts with reminders and pretensioners for all seats
- Front, Side & Curtain Airbags; Driver Side Knee Airbag
- Brake pedal release
- WHIPS™ – Whiplash Injury Protection System
- Run-off Road Mitigation
- Run-off Road Protection
- SIPS™ – Side Impact Protection System
- Oncoming Lane Mitigation

INTELLISAFE OPTIONS

Single Options – Driver Assistance, Convenience and Child Safety Features – that Can Be Added to All IntelliSafe Offers:

- 360° Surround View Camera
- Park Assist Pilot & Front Park Assist
- Integrated Child Seat, center position

XC90 STANDARD FEATURES

STANDARD FEATURES	T5/ T5 AWD	T6 AWD	T8 eAWD Plug-In Hybrid
Value:			
Complimentary Factory Scheduled Maintenance for 3 years, 36,000 miles. 4 years, 50,000 miles. New Car Warranty.	●	●	●
Safety			
Volvo On Call includes: Convenience features – Remote Lock/Unlock, Engine Remote Start, Send to Car, Vehicle Tracking with 4-year Complimentary Subscription	●	●	●
Pilot Assist – Semi-Autonomous Drive System with Adaptive Cruise Control	●	●	●
Blind Spot Information System (BLIS) & Cross Traffic Alert	●	●	●
Run-off Road Protection and Run-off Road Mitigation	●	●	●
Lane Keeping Aid	●	●	●
Driver Alert Control	●	●	●
Road Sign Information	●	●	●
Automatic Braking After Collision	●	●	●
City Safety with Steering Support: Low and High Speed Collision Mitigation, Pedestrian, Cyclist and Large Animal Detection	●	●	●
Front, Side & Curtain Airbags with Driver Side Knee Airbag	●	●	●
Whiplash Protection, Front Seats	●	●	●
Roll Stability Control	●	●	●
Exterior			
Laminated Panoramic Moonroof with Power Sunshade	●	●	●
LED Headlights with Thor's Hammer DRL & Auto Highbeam (AHB)	●	●	●
LED Fog Lamps with Corner Illumination	●	●	●
LED Taillights with Side Marker Lights	●	●	●
18" 5-Spoke Sparkling Silver Alloy Wheels	●		
19" 10-Spoke Turbine Silver Bright Alloy Wheels		●	
19" 6-Spoke Turbine Silver Bright Alloy Wheels			●
Aluminum Roof Rails	●	●	●
Retractable Side View Mirrors	●	●	●
Rain Sensing Windshield Wipers	●	●	●
Dark Tinted Windows, Rear & Cargo	●	●	●
Front Grill, High-Gloss Black with Bright Chrome Frame	●	●	●
Bright Chrome Window Surround	●	●	●
Dual Round Visible Tailpipes with Chrome Sleeves	●		●
Dual Integrated Tailpipes		●	●

STANDARD FEATURES	T5/ T5 AWD	T6 AWD	T8 eAWD Plug-In Hybrid
Interior			
Leatherette Upholstery with Comfort Seats	●		
Leather Upholstery with Comfort Seats	○	●	●
10-way, Power Front Seats incl. Power Lumbar and Driver Seat Memory	●	●	●
Heated Front Seats	○	●	●
3rd Row Seating		●	●
Sensus Navigation	●	●	●
Volvo Sensus Connect with 9" Touchscreen	●	●	●
8" Driver Display (Digital Instrument Cluster)	●		
12.3" Driver Display (Digital Instrument Cluster)		●	●
High Performance Audio with 10 speakers, 330W, 2 USB, & AUX input	●	●	●
SiriusXM™ Satellite Radio with 6-Month Subscription	●	●	●
Smartphone Integration (Apple CarPlay & Android Auto)	●	●	●
Voice Control	●	●	●
Leather Steering Wheel	●	●	●
Cross-Brushed Aluminum Inlays	●	●	●
Crystal Gear Shift Knob by Orrefors®			●
Volvo Aluminum Sill Plates	●	●	●
Auto Dimming Interior Mirror	●	●	●
Clean Zone Air Quality System	●	●	●
2-Zone Climate Control	●		
4-Zone Climate Control		●	●
Luxury & Convenience			
Keyless Entry & Drive	●	●	●
Adjustable Drive-Mode Settings	●	●	●
Bluetooth Connectivity with Audio Streaming	●	●	●
Rear Park Assist & Rear Park Assist Camera	●	●	●
Hands-Free, Power-Operated Tailgate	●	●	●
Hill Start Assist	●	●	●
Cargo Cover	●		
Split Folding Backrest with Load Through Hatch	●	●	●
Power-Folding Rear Head Restraints (outer positions)	●	●	●
Tempa Spare Wheel (including jack kit)	●	●	
Tire Repair Kit			●
Aluminum Cargo Opening Scuff Plate	●	●	●

XC90 SINGLE OPTIONS

SINGLE OPTIONS	T5/ T5 AWD	T6 AWD	T8 Twin Engine
Metallic Paint	○	○	○
Leather Upholstery	○		
Contour Seats (Momentum)	○	○	
Heated Front Seats & Steering Wheel	○		
Integrated 2 Step Booster Cushions, 2nd Row	○	○	○
Graphical Head-Up Display (HUD)	○	○	○
Charcoal Headliner (RA00, RC00, RC30 Only)	○	○	○
Leather Steering Wheel with Wood Inlay (Momentum Only - Requires Dark Flame Birch Inlays)	○	○	○
Dark Flame Birch Wood Inlays (Momentum Only)	○	○	○
Carbon Fiber Inlays (R-Design Only)	○	○	○
Bowers & Wilkins Premium Sound	○	○	○
Heated Steering Wheel		○	○
4-Corner Air Suspension in Rear with FOUR-C Active Chassis (T6 and T8 - Requires Convenience Package)		○	○
Tailored Dashboard and Upper Door Panels (Inscription Only)		○	○
19" 10-Spoke Turbine Alloy Wheels (T5 Only)	○		
20" 5-Double Spoke Tech Matte Black Diamond Cut Alloy Wheels (T5 and T6 Momentum Only)	○	○	
21" 5-V-Spoke Black Diamond Cut Alloy Wheels (T6 and T8 Momentum and Inscription Only)		○	○
21" 8-Spoke Silver Bright Diamond Cut Alloy Wheels (Inscription Only)		○	○
22" 5-Double Spoke Tech Matte Black Diamond Cut Alloy Wheels (R-Design Only, Performance Summer Tires)	○	○	○

● = Standard ○ = Optional Blank = Not available



The Bluetooth word mark and logos are owned by the Bluetooth SIG, Inc. and any use of such marks by Volvo Car Corporation is under license. Other trademarks and trade names are those of their respective owners.

XC90 OPTIONAL PACKAGES:

MOMENTUM PLUS PACKAGE	
<ul style="list-style-type: none"> 12.3" Driver Display (T5 only) Headlight High Pressure Cleaning Dark Flame Birch Wood Inlays Active Bending Lights (ABL), added to standard LED Headlights 	<ul style="list-style-type: none"> with Thor's Hammer DRL & Auto Highbeam (AHB) High-level Interior Illumination

CONVENIENCE PACKAGE	
<ul style="list-style-type: none"> Heated Washer Nozzles 360° Surround View Camera Grocery Bag Holder HomeLink™ 12V Power Outlet, Cargo Area 	<ul style="list-style-type: none"> Compass in Inner Rear View Mirror Park Assist Pilot & Front Park Assist (Rear std)

LUXURY PACKAGE (Inscription)	
<ul style="list-style-type: none"> Backrest Massage, Front Seats Heated Rear Seats, Outer Positions Leather Wrapped Sunvisors & Grab 	<ul style="list-style-type: none"> Handles (Front and Rear) Headliner with A/B/C Pillars in Nubuck

VOLVO OVERSEAS DELIVERY THE EXPERIENCE BEGINS IN SWEDEN

Volvo Overseas Delivery is a unique program that gives you an exciting opportunity to pick up your new Volvo from our state-of-the-art factory in Gothenburg, Sweden. But that's just the beginning.

THE TRIP INCLUDES:

- A savings off of the US base MSRP, which varies by Model
- Opportunity to personalize your new Volvo*
- Complete travel packages for Sweden and/or Europe via our travel concierge, who can help you personalize your adventure
- Two round-trip plane tickets to Gothenburg, Sweden via SAS/Plus economy seating (including private transport upon arrival)
- One overnight stay at a first-class hotel (including dinner at a Michelin-starred restaurant)
- Premium delivery at Factory Delivery Center (including private transport and lunch)
- Guided tour of the Volvo factory
- A visit to the Volvo Museum and/or the Volvo Cars Brand Experience Center
- European car insurance (including Volvo Roadside Assistance and Global warranty coverage) for two weeks**
- Home shipment of your new Volvo



T6 AWD | V90 Cross Country
714 Osmium Grey Metallic | 20" 10-Spoke Tech Matte
Black Diamond Cut Alloy Wheels, 226



V90 Cross Country
Interior | Charcoal in Charcoal Interior (European Spec Shown) |
Iron Ore Aluminum Inlay, 437

Your adventure begins in Volvo's hometown of Gothenburg, located on Sweden's scenic west coast. Here, you will pick up your new Volvo in person as it rolls out of the factory gate. You will then have the chance to explore the world of Volvo, where you will learn all about the unique culture that inspired the elements of your car.

With Volvo Overseas Delivery, you can custom build and personalize* your new Volvo before taking a once-in-a-lifetime trip to pick it up in the country that built and inspired it. Volvo Overseas Delivery delivers a car that is truly designed around you.

Please note: Changes in the order of your day's schedule may occur.

If you would like to know more about Overseas Delivery, contact your local Volvo Cars Retailer, the Customer Care Center at (800) 631-1667, or visit <http://volvocars.com/us/osd>

* Personalization is based on market requirements and specifications. All options / packages and accessories must be US Market-specific.
** Global Warranty coverage remains in effect until your vehicle returns to the states and is registered with Volvo US.

T6 AWD | V90 R-Design
720 Bursting Blue Metallic | 19" 5-Double Spoke Glossy
Black Diamond Cut Alloy Wheels, 224



Service By Volvo

Taking care of you and your Volvo is our top priority. With a unique approach to service that's personal, professional and efficient, we get you everything you need in the simplest way possible. To make your life less complicated.

Knowing your vehicle is always up to our highest standards for as long as you own it – that's the driving force behind Service by Volvo. To help you get the most out of your Volvo, we'll ensure each service or maintenance provides peak conditioning through our expertly trained technicians, field-tested repair methods, and precision-engineered genuine parts. That's because we focus on our promises to service your car and simplify your life.

OUR SERVICE BY VOLVO PROMISES

When you have your car serviced at an authorized Volvo dealer, we promise to provide you with a premium ownership experience for the life of your vehicle. Enjoy our Lifetime Parts and Labor Warranty,* so you pay only once, knowing your car is always up to our highest standards. Technical software updates** and more. No sign-up required.



Lifetime Parts & Labor Warranty*



Technical Software Updates**



Complimentary Diagnostics



Alternative Transportation



Complimentary Car Wash

* Excludes consumable parts due to normal wear. See dealer for details. Non-transferable.

** New software required as part of a repair or accessory installation is not included.

The most carefree way to own a car. EVER.

LEASING OPTIONS

FLEXIBLE TERMS

Leasing is available for terms as short as 24 months or up to 48 months. You can drive a new Volvo car every few years while within the manufacturer warranty and maintenance plans, and without the burden of negotiating trade-in values.

CHOICE OF MILEAGE PLANS

The standard mileage option allows up to 15,000 miles per year; however, several other mileage plans are available to tailor to your commuting needs. Under the low mileage plan options are available as low as 7,500 miles per year, and we also offer a high mileage plan with options as high as 30,000 miles per year.

SINGLE PAYMENT LEASE

A single payment lease provides convenience and savings. You make only one payment, one time, freeing you from monthly payments. It permits you to prepay all monthly payments in a single payment at lease signing. This single total lease payment is less than the amount you would pay over the term of a conventional lease.

MULTIPLE SECURITY DEPOSIT LEASE*

A multiple security deposit lease allows you to place a lump sum refundable security deposit at lease inception, which reduces your monthly rent charge, resulting in substantial savings over the term of the lease. The additional security deposits are refunded to you at the end of the lease term. * Multiple Security Deposit Lease is not available in NY.

BUSINESS LEASE

Under our business lease option, owners have the flexibility to lease the vehicle as the business.

GUARANTEED AUTO PROTECTION (GAP) WAIVER

Our GAP Waiver is included in your lease agreement at no additional cost to you. It is provided to give you peace of mind. If your leased Volvo car is declared a total loss due to theft, accident, or natural disaster, we will cover the difference between the insurance proceeds and the balance owed to Volvo Car Financial Services less any deductible.

EXCESS WEAR AND USE PROTECTION PLAN **

As a part of everyday driving, normal wear and use can be expected. However, when turning in your leased vehicle, you may be responsible for any excess wear and use damage; therefore, Volvo Car Financial Services offers an optional plan to protect you and your car from unexpected occurrences that happen from nature and chance.

** Excess Wear and Use Protection Plan is optional and not available in AK, NM, NY, TX, UT and VT.

SPECIAL PROGRAMS

COLLEGE GRADUATE PROGRAM

You've worked hard to earn your degree. Now the Volvo Graduate Program can make it easy for you to drive a Volvo car. With flexible and competitive financing options available for graduates, Volvo Car Financial Services can help you to step into the luxury of driving a Volvo car with only a 5% down payment upon credit approval.

INTERNATIONAL STUDENT PROGRAM

The International Student Program is the easiest way to acquire a vehicle while studying in the US, only from Volvo. Instead of purchasing a car outright, make one easy, upfront payment and drive a brand new Volvo during your school term. After graduation, drop the car off at your local Volvo retailer. No hassles. You'll only pay for the portion of the car you use. It's as simple as that. Visit www.volvocarsforstudents.com for program details.

VOLVO MOBILITY PROGRAM

The goal of the Volvo Mobility Program is to assist persons with physical disabilities or hearing impairment. For those with exceptional transportation needs, this can be facilitated within the extraordinary comfort and safety of a specially adapted Volvo car. For additional information on this program, please contact **Mobility by Volvo Customer Care at 1-800-550-5658**.

PERSONAL SHOPPER

The Volvo Personal Shopper is dedicated to providing you with a whole new level of shopping convenience. Whether you'd like help identifying the Volvo model that best fits your lifestyle, detailed information on any Volvo model, or a comparison against the competition, Volvo is there to help. We can arrange a Guest Drive for you at your nearest Volvo Retailer. So make the most of your shopping time and call the **Volvo Personal Shopper at 1-800-550-5658**.

SERVICE AND WARRANTY

VOLVO ROADSIDE ASSISTANCE

Whenever you need us, we're just a phone call away. Our nationwide network of retailers and authorized service providers are ready to assist. Whether you require roadside assistance or maps and routing information for your next trip, refer to your Volvo Roadside Assistance card and dial **1-800-63-VOLVO** at any time. Your complimentary four-year membership activates the moment you become a Volvo owner. A connection to Volvo Roadside Assistance/US is available through your App Store.

VOLVO NEW CAR WARRANTY

Your new-car warranty provides comprehensive coverage for four years or 50,000 miles, whichever occurs first. Additional warranties cover corrosion, seat belts, the supplemental restraint system, hybrid components, emission systems, genuine Volvo car replacement parts and genuine Volvo accessories. Should you encounter any problem with your Volvo car, simply contact the nearest retailer for assistance. Where your warranty ends, Volvo Increased Protection (VIP) plans begin. To purchase the additional protection of a VIP plan, contact your local retailer.

COMPLIMENTARY FACTORY SCHEDULED MAINTENANCE

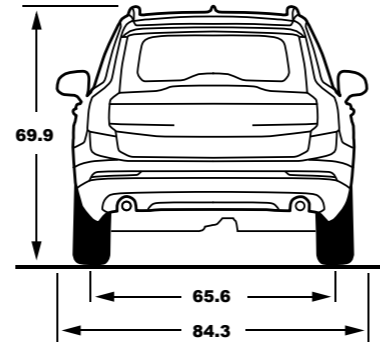
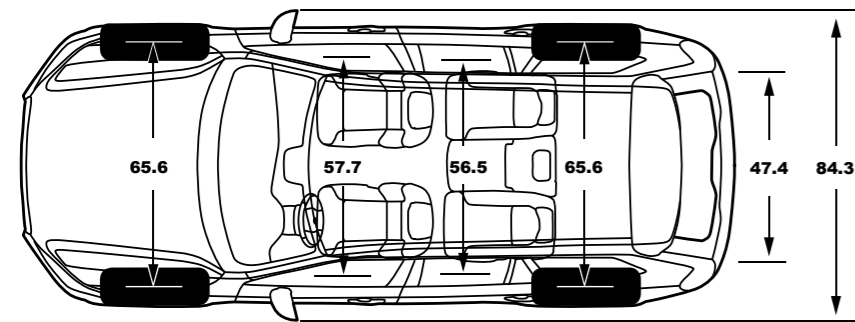
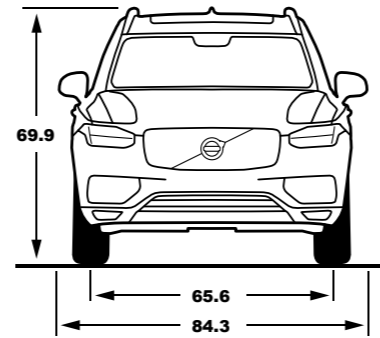
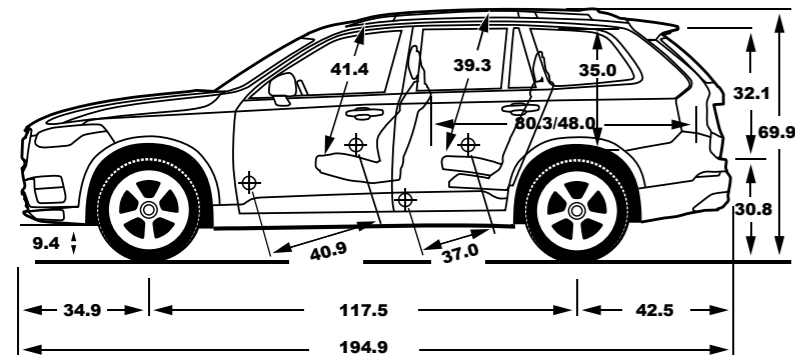
Volvo Cars is committed to a premium ownership experience for its customers. To further enhance your ownership experience, all 2018 model year Volvo Cars sold in the United States will include Complimentary Factory Scheduled Maintenance. This program provides scheduled maintenance coverage for the first three years or 36,000 miles, whichever occurs first, and is designed to complement your Volvo warranty, helping ensure trouble-free operation of your Volvo. Coverage includes factory-recommended maintenance including oil and filter changes, checks and adjustments as listed in your Warranty and Maintenance Records Information booklet, for the first three maintenance services at intervals of 10,000, 20,000 and 30,000 miles.

Each service must be performed within 1,500 miles before or after each scheduled interval. Coverage is limited to scheduled maintenance items listed in the 2018 model year Warranty and Maintenance Records Information booklet. An authorized retailer must perform maintenance. Offer is transferable. Optional Prepaid Maintenance Plan upgrades are also available that will allow you to customize coverage to meet your driving needs. See your Volvo retailer for details.

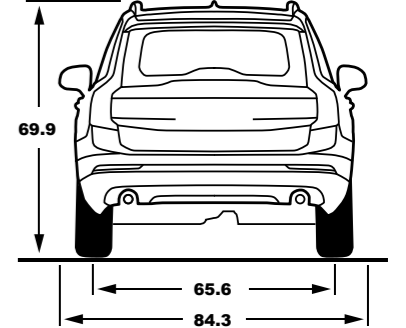
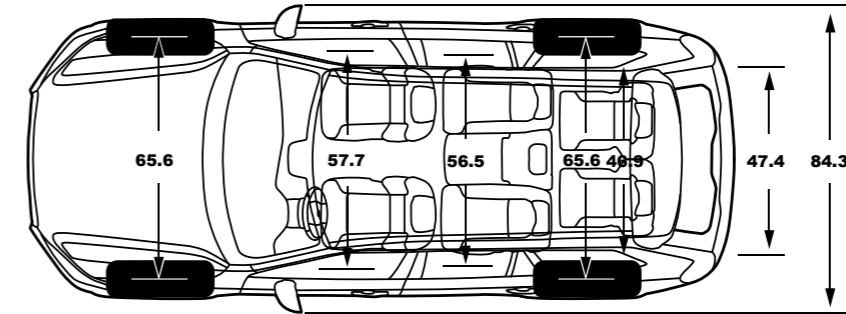
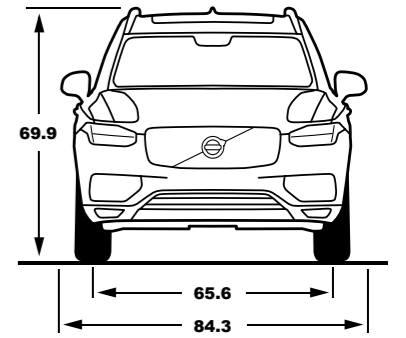
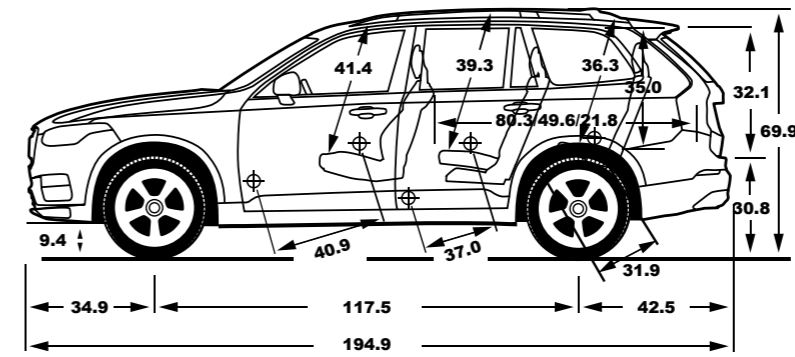
FINANCE OPTIONS

Volvo Car Financial Services (VCFS) offers affordable and competitive financing on new and Volvo Certified Pre-Owned cars. Our low rates and flexible terms can get you behind the wheel of the Volvo you want to drive with finance terms up to 75 months. Volvo Car Financial Services also offers financing on vehicles purchased under the Overseas Delivery Program.

7-SEAT VERSION



5-SEAT VERSION



Vehicle Specification:

	T5 FWD	T5 AWD
Engine:	2.0L Inline 4-cylinder, Turbocharged	2.0L Inline 4-cylinder, Turbocharged
Horsepower at rpm:	250 hp @ 5,500 rpm	250 hp @ 5,500 rpm
Acceleration 0-60mph:	7.5	7.5
Top Speed mph:	130	130
Max Torque lb-ft at rpm:	258 lb-ft @ 1,500-4,800 rpm	258 lb-ft @ 1,500-4,800 rpm
Transmission:	8 - Speed Automatic Geartronic	8 - Speed Automatic Geartronic
Fuel Economy, Highway/City/Combined:	22 / 29 / 25	22 / 28 / 24
Fuel Tank Capacity:	18.8 gallons	18.8 gallons
Cargo Space, Max (cu ft):	85.7	85.7
Towing Capacity (lbs.):	4,000	5,000
Exterior Length/Width/Height (inches):	194.9 / 84.3 / 69.9	194.9 / 84.3 / 69.9
Interior Headroom w. Panoramic Moonroof (Front/Rear/Third Row):	38.9 / 38.5 / N/A	38.9 / 38.5 / N/A
Interior Legroom (Front/Rear/Third Row):	40.9 / 37.0 / N/A	40.9 / 37.0 / N/A
Seating Capacity:	5	5

Vehicle Specification:

	T6 AWD	T8 eAWD Plug-In Hybrid
Engine:	"2.0L Inline 4-cylinder, Supercharged & Turbocharged"	2.0L Inline 4-cylinder, Supercharged & Turbocharged with Electric Motor
Horsepower at rpm:	316 hp @ 5,700 rpm	"400 hp (313+87) Combined @ 6,000 rpm Combined"
Acceleration 0-60mph:	6.0	TBD
Top Speed mph:	130	130
Max Torque lb-ft at rpm:	295 lb-ft @ 2,200 - 5,400 rpm	"472 lb-ft (295+177) Combined 2,200 - 5,400 rpm Combined"
Transmission:	8 - Speed Automatic Geartronic	8 - Speed Automatic Geartronic
Fuel Economy, Highway/City/Combined:	21 / 31 / 25	TBD
Fuel Tank Capacity:	15.9 gallons	13.2 gallons
Cargo Space, Max (cu ft):	13.5	13.5
Exterior Length/Width/Height (inches):	200.1 / 79.5 / 57.1	200.1 / 79.5 / 57.1
Interior Headroom w. Panoramic Moonroof (Front/Rear/Third Row):	37.8 / 37.8	37.8 / 37.8
Interior Legroom (Front/Rear/Third Row):	42.2 / 40.4	42.2 / 40.4
Seating Capacity:	5	5

V O L V O

MODEL YEAR 2018 | VOLVOCARS.US

Specifications, features, and equipment shown in this catalog are based upon the latest information available at the time of publication. Some models shown with European specifications. Volvo Car USA, LLC reserves the right to make changes at any time, without notice, to colors, specifications, accessories, materials, and models. For additional information, please contact your authorized Volvo Cars retailer. © 2017 Volvo Car USA, LLC. Printed in USA. **MY18**