



BMW 4 Series

[shopbmwusa.com](http://shopbmwusa.com)



The Ultimate  
Driving Machine®

# THE NEW BMW 4 SERIES COUPE.

ORIGINAL BMW ACCESSORIES AND M PERFORMANCE PARTS.

▶ ORIGINAL BMW ACCESSORIES

▶ M PERFORMANCE PARTS



BMW 4 Series

[shopbmwusa.com](http://shopbmwusa.com)



The Ultimate  
Driving Machine®

# THE NEW BMW 4 SERIES COUPE. ORIGINAL BMW ACCESSORIES.

PERSUASIVE PERFORMANCE.

**BMW EfficientDynamics**  
Less emissions. More driving pleasure.

# A COMPELLING FIRST IMPRESSION.

The new BMW 4 Series has an irresistible appeal. Whether the Coupe or Convertible, its commanding presence is established the very second you lay eyes on it. Is it the intoxicating promise of freedom? Is it the seductive body lines and contours? Or could it be the powerful athletic stance? The decision is yours.

Original BMW Accessories for the BMW 4 Series are the perfect blend of compelling design and maximum functionality. Whether it's for the exterior or interior, for communication and information or transport and luggage, give your BMW 4 Series a truly unique aesthetic – for a first impression that lasts.







A

**ELEGANCE AND ATHLETICISM IN PERFECT UNITY.**  
ORIGINAL BMW EXTERIOR ACCESSORIES.

**A. Cross Spoke 20" Style 404,  
Bi-color, Orbit Gray**

Light alloy wheel.

8"J x 20", ET: 36 225/35 R20 90Y XL front,  
8.5"J x 20", ET: 47 255/30 R20 92Y XL rear.

Complete wheel set – Includes four wheels  
and Pirelli P Zero Run-Flat Tires

For vehicles produced up to 03/14 with RDC LC  
36 11 2 219 671 Price: \$3,895.00

For vehicles produced from 03/14-on with RDC i  
36 11 2 287 893 Price: \$4,335.00



All wheels feature run-flat tires. For more information about run-flat technology, please refer to your specific vehicle's Owner's Manual for complete details.

Note: Driving over rough or damaged road surfaces, as well as debris, curbs and other obstacles can cause serious damage to wheels, tires and suspension parts. This is more likely to occur with low-profile tires, which provide less cushioning between the wheel and the road. Be careful to avoid road hazards and reduce your speed, especially if your vehicle is equipped with low-profile tires.



**A. Double Spoke 20" Style 361, Bi-color, Ferric Gray**  
Light alloy wheel.

8"J x 20", 225/35 R20 90Y XL front,  
8.5"J x 20", 255/30 R20 92Y XL rear.

Complete wheel set – Includes four wheels  
and Pirelli P Zero Run-Flat Tires

For vehicles produced up to 03/14 with RDC LC  
36 11 2 219 673      Price: \$4,315.00

For vehicles produced from 03/14-on with RDC i  
36 11 2 287 891      Price: \$4,830.00



**B. Double Spoke 20" Style 361, Black/Red Stripe**  
Light alloy wheel.

8"J x 20", 225/35 R20 90Y XL front,  
8.5"J x 20", 255/30 R20 92Y XL rear.

Complete wheel set – Includes four wheels  
and Pirelli P Zero Run-Flat Tires

For vehicles produced up to 03/14 with RDC LC  
36 11 2 219 674      Price: \$4,200.00

For vehicles produced from 03/14-on with RDC i  
36 11 2 287 892      Price: \$4,980.00

All wheels feature run-flat tires. For more information about run-flat technology, please refer to your specific vehicle's Owner's Manual for complete details.

Note: Driving over rough or damaged road surfaces, as well as debris, curbs and other obstacles can cause serious damage to wheels, tires and suspension parts. This is more likely to occur with low-profile tires, which provide less cushioning between the wheel and the road. Be careful to avoid road hazards and reduce your speed, especially if your vehicle is equipped with low-profile tires.

### C. Wheel Locks

Simple but secure; one stud on each wheel has a lock. Supplied in a set for four wheels. Provides enhanced security with many different key codes.

36 13 6 792 851      Price: \$75.00

### D. Sunshade

The foldable sunshade helps protect your interior from harmful UV rays, all year long.

82 11 0 415 260      Price: \$65.00

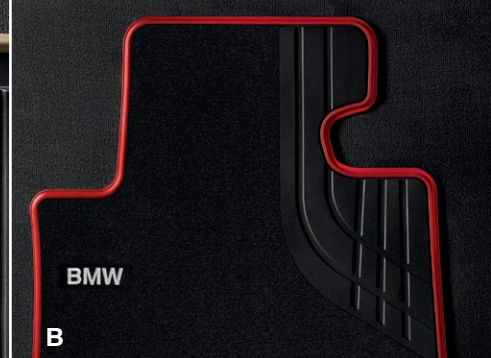
### E. Indoor/Outdoor Car Cover

With a stylish design printed on both sides, this cover protects against dirt, dust, water and scratches. Can be used indoors and out and is suitable for all seasons. Made of a poly-blend material that is machine washable.

82 15 2 349 105      Price: \$425.00







**THE DISTINCTIVE DIFFERENCE.**  
ORIGINAL BMW INTERIOR ACCESSORIES.

### A. All-Weather Floor Mats

Custom-fit rubber mats feature 1/2" deep channels to trap water, slush, snow and dirt. Will not crack, curl or stiffen in any temperature. With mat grip fasteners to hold them in place. Set of two.

Sport Line (Black/Red)

Front: 51 47 2 348 156 Price: \$85.00

Rear: 51 47 2 348 159 Price: \$55.00

Modern/Basic Line (Beige/Black)

Front: 51 47 2 348 177 Price: \$85.00

Rear: 51 47 2 348 160 Price: \$55.00

Basic (Black), not shown

Front: 51 47 2 348 155 Price: \$85.00

Rear: 51 47 2 348 158 Price: \$55.00

### B. Carpeted Floor Mats

Precision-cut mats with a special retention system are made to enhance the interior color. They resist water and staining while adding cushioned comfort. Also features BMW lettering. Set of four.

Sport Line (Black/Red)

Front: 51 47 2 348 204 Price: \$115.00

Rear: 51 47 2 348 208 Price: \$75.00

Modern/Basic Line (Beige/Black)

Front: 51 47 2 348 214 Price: \$115.00

Rear: 51 47 2 348 219 Price: \$75.00

Basic (Black), not shown

Front: 51 47 2 348 199 Price: \$115.00

Rear: 51 47 2 348 203 Price: \$75.00

### C-D. Base Carrier

The Travel & Comfort system easily attaches to the headrest bars.

51 95 2 183 852 Price: \$30.00

### C. Universal Hook

Offers a convenient place to hang light shopping bags, suit hangers and more. Base Carrier required for installation.

51 95 2 183 855 Price: \$30.00

### D. Coat Hanger

Allows clothes to be transported without creasing. Base Carrier required for installation.

51 95 2 183 854 Price: \$85.00

### E. LED Flashlight, Rechargeable

Power-saving 5 mm high-power diode provides excellent brightness of approximately 10 lumens. Rechargeable via a 12-volt power outlet.

63 31 0 432 670 Price: \$30.00





### A. Key Case

The Key Case, designed especially for BMW, combines the desire for style with protective functionality. The case and key are firmly connected by a high-quality chrome clip bearing the BMW logo.

Sport Line (Black/Red)

82 29 2 219 909 Price: \$35.00

Basic (Black), not shown

82 29 2 219 911 Price: \$35.00

Luxury Line (Brown), not shown

82 29 2 219 917 Price: \$35.00

M Sport Line (Blue), not shown

82 29 2 219 915 Price: \$35.00

Modern Line (Beige/Light Grey), not shown

82 29 2 219 914 Price: \$35.00

### B. Handbrake Grip

Stylishly accented with leather middle section. The handbrake grip is perfect for the new BMW 4 Series.

Sport Line (Black/Red)

34 40 2 240 174 Price: \$79.00

Luxury Line (Brown), not shown

34 40 2 240 176 Price: \$79.00

Modern/Basic Line (Beige/Black), not shown

34 40 2 240 182 Price: \$79.00

### C. Backrest Bag

This multi-pocketed companion easily attaches to the rear of the driver's or front passenger's seat. Made from hard-wearing, easy-to-clean material.

Modern/Basic Line (Beige/Black)  
52 12 2 219 891 Price: \$99.00

Sport Line (Black/Red), not shown  
52 12 2 219 889 Price: \$125.00

### D. Glasses and CD/DVD Holder

Twice as functional, twice as easy. Simply attach to the sunshade and it's done. CDs or DVDs can be stored on the inside, a pair of glasses on the outside.

Modern/Basic Line (Beige/Black)  
51 16 2 219 896 Price: \$48.00

Sport Line (Black/Red), not shown  
51 16 2 219 894 Price: \$48.00





A



B

# SIGHT AND SOUND IN STYLISH FORM.

ORIGINAL BMW COMMUNICATION & INFORMATION ACCESSORIES.

## A. Tablet DVD System

The Tablet DVD System integrates seamlessly into the interior of your BMW. The system includes 2 portable screens (1 screen with integrated DVD player), built in speaker, wireless remote and 2 mounts. The mounts are secured to the headrest posts and remain in the car. In addition to playing video DVDs and audio CDs, there is also an integrated USB interface and a slot for SD/MMC/MS cards to play a variety of media file types. Can use optional wireless IR headphones.

65 12 2 293 727 Price: \$599.00

Wireless IR single channel headphones

65 12 2 160 479 Price: \$75.00

## B. Holder for Apple iPad®

The Apple iPad Holder can be securely mounted on the base attachment of the Travel & Comfort system and released at the touch of a button. The position of the device can be adjusted for maximum comfort and ease of use. Thanks to the included stand, the holder can be used outside of the vehicle. Available for iPad 1, iPad 2, iPad 3 and iPad 4.

Apple iPad® 1 holder

51 95 2 186 297 Price: \$150.00

Apple iPad 2/iPad 3/iPad® 4 holder

51 95 2 293 656 Price: \$190.00

Base Carrier

51 95 2 183 852 Price: \$30.00

## C. Charge and Sync Cables

Convenient cables provide power and connectivity to your portable and mobile devices.

Apple® 30 Pin

61 12 2 220 019 Price: \$35.00

Micro USB

61 12 2 336 423 Price: \$27.00

Apple® Lightning™

61 12 2 354 478 Price: \$50.00

## D. USB Charger

USB charging device offers a convenient way to provide power to a wide array of portable and mobile devices.

65 41 2 166 411 Price: \$25.00

## E. Snap-in Adapter with USB Interface

The Snap-in Adapter with USB Interface provides a robust docking system suitable for current popular smartphones. With the interchangeable phone specific snap-in adapter, the mobile phone can be charged and used to send and receive calls using Bluetooth wireless technology. An external antenna ensures the best possible reception at all times. When using this snap-in adapter, music files stored on the device also can be played through the vehicle's audio system without an adapter cable. These snap-in adapters are available for vehicles equipped with Option 6NF Smartphone Integration.

Consult your authorized BMW center for more information.





A

**WHERE FUNCTIONALITY EQUALS FREEDOM.**  
ORIGINAL BMW TRANSPORTATION AND LUGGAGE ACCESSORIES.

### A. Luggage Compartment Mat, Sport

Stylish luggage compartment solution featuring a non-slip, water-resistant fitted mat.

Sport Line

51 47 2 239 937 Price: \$125.00

Modern Line (not shown)

51 47 2 239 936 Price: \$125.00

### B. Ski and Snowboard Bag

Allows neat transport of up to four pairs of skis or three snowboards. Attaches securely to the luggage compartment tie-downs. Also has two wheels so the bag can be pulled with ease.

Sport Line

51 47 2 219 918 Price: \$265.95

Modern Line (not shown)

51 47 2 219 920 Price: \$265.95

### C. Touring/Mountain Bike Holder, Lockable

This sturdy attachment transports touring cycles, mountain bikes or racing cycles with 1"-2.1" frame diameters and tires 1"-2.2" wide. For one touring bicycle. Requires the BMW Base Support System (Item A, page 16).

82 71 2 166 924 Price: \$155.00







### **A – D. BMW Base Support System, Lockable\***

This newly designed multi-functional system is easy to install and comes equipped with an anti-theft feature. Maximum permissible roof load: 165 lbs. Support bars are made of high-strength aluminum tubing.

The Raised Carrier Bars (Item A), BMW Roof Boxes (Item B), Ski and Snowboard Holder (Item C) and Surfboard / Windsurfer Carrier (Item D) require the BMW Base Support System for installation.

\*Shown with Raised Carrier Bars attached.

82 71 2 295 099    Price: \$250.00

### **A. Raised Carrier Bars**

For the BMW Ski and Snowboard Holder. Extension provides approximately 1 inch of extra room for even easier securing of skis/snowboards with higher bindings.

82 71 0 443 100    Price: \$55.00

## B. BMW Roof Boxes, Lockable

Available in three sizes. Easy to load, thanks to an innovative system that opens from both sides (Roof Boxes 460 and 350). Features anti-theft triple central locking.

### BMW Roof Box 320

Dimensions: 75"L x 24"W x 15"H

Black: 82 73 2 209 907      Price: \$576.00

Silver: 82 73 2 209 906      Price: \$576.00

### BMW Roof Box 350

Dimensions: 55"L x 35"W x 15"H

Silver: 82 73 0 391 366      Price: \$585.00

### BMW Roof Box 460

Dimensions: 91"L x 32"W x 15"H

Black: 82 73 0 412 014      Price: \$976.00

Silver: 82 73 0 412 015      Price: \$976.00

## C. Ski and Snowboard Holder, Lockable

Suitable for carrying up to two snowboards and two pairs of skis, or up to six pairs of skis plus poles.

82 72 0 406 587      Price: \$190.00

## D. Surfboard /Windsurfer Carrier

A sure hold: impact-resistant board supports, integrated mast carrier, belt eyelets and tensioning straps.

82 72 9 402 896      Price: \$95.00



# BMW LIFESTYLE.

Driving a BMW conveys true excitement, at any time on any surface. The BMW Collection is just as versatile. From comfortable casual wear to smart business accessories, enjoy the variety, the comfortable tailoring and the sophisticated design of the BMW Collection.

## Ladies' Longsleeve Shirt, \$45.

Sporty shirt with feminine V-neck. Elastane content for optimal fit. Highlights include a premium rubberized print of the BMW wordmark on the side and panel seams with decorative stitching on the front. Embroidered BMW logo on the sleeve. Material: 96% cotton, 4% elastane. Imported.

Dark Blue XS-XL 80 14 2 298 144-148

## Men's Longsleeve Shirt, \$45.

This comfortable long-sleeved shirt is lightweight and pleasant, thanks to its single-jersey fabric and piped seams. The high V-neck with its subtle ribbed border and striped design ensures contemporary appeal. Features a premium rubberized BMW wordmark print on the side as well as a sleeve with an embroidered BMW wordmark. Material: 100% cotton. Imported.

Dark Blue S-XXXL 80 14 2 298 091-096  
Gray Melange S-XXXL 80 14 2 298 097-102



## Fleece Jacket, \$95.

Great looks combined with superior functionality. This soft jacket made from recycled fleece boasts a wealth of features which guarantee a good fit: a tall stand-up collar, elastic tapes along the inner hem and concealed zip, as well as panel seams at the front. The ladies' version is tailored for a feminine fit. Fashionable details include contrasting borders along the cuff edges and zip as well as a collar lining in marled gray. Premium rubberized BMW wordmark print on the back and embroidered BMW wordmark on the sleeve. Material: recycled fleece, 100% polyester. Imported.

Ladies' Dark Blue XS-XL 80 14 2 298 164-168  
Men's Dark Blue S-XXL 80 14 2 298 124-128



**Men's Wallet, \$36.**

Slim, horizontal wallet features billfold center divider and four credit card slots. Wallet: 100% leather. Lining: 100% cotton. Dimensions: approx. 4¾" w x 3¼" h. Imported.

Black 80 21 2 244 685



**Umbrella, \$19.**

This well-made umbrella will survive countless downpours. Easy to store, with semi-automatic opening function. Inlaid BMW logo on the handle. Diameter: approx. 37½". Imported.

Dark Blue 80 56 2 211 970



**Ladies' Mesh Cap, \$17.**

Crafted from "honeycomb" Comby mesh fabric for ventilation and comfort, this cap has a short visor and adjustable Velcro® closure. Material: 100% polyester. Imported.

White/Navy 80 16 2 286 171 Navy/Pink 80 16 2 286 172



**BMW Ultimate Driving Machine® Cap, \$18.**

This cap is constructed of high-tech mini rip stop nylon fabric and offers moisture wicking properties and protection from UV rays. Features mesh lining and adjustable fabric strap with tuck closure. BMW Roundel rubber patch on front. Material: 100% nylon. Imported.

Royal Blue 80 16 2 286 173 White 80 16 2 286 176  
Maroon 80 16 2 286 174 Black 80 16 2 286 175



**Travel Mug, \$21.**

Insulated stainless-steel tumbler features soft silicon rubber gripper band, push on/off lid and nonskid rubber base pad. Fits most BMW models. 15 oz.

Red 80 90 0 440 458  
 Blue 80 90 0 439 611  
 Stainless 80 90 0 439 610



**BMW Emblem Key Ring Pendant, \$29.**

Elegant key ring pendant with a premium colored enamel BMW logo. Pull-twist mechanism for fast and easy handling. Dimensions: approx. 2¼" x 1¼".

Silvertone 80 27 2 344 460

**BMW Roundel Cuff Links, \$29.**

Enamel cuff links display the BMW Roundel set in matte silvertone metal.

Silvertone 80 23 2 208 708



**BMW Pin, \$4.**

Classic BMW metal pin with epoxy dome surface. With handy butterfly closure and cardboard backing.

Silvertone 80 56 0 444 572



**Ballpoint Pen, \$97.**

This premium ballpoint pen has a twist mechanism for quick and easy operation. Visual highlights include a glossy black shaft and rhodium components. Stylish engraving on the cap and the central ring. Top quality made in Germany. Refill tip size: medium. Refill color: blue. Delivered in a gift box.

Black/Silvertone 80 24 2 217 297

# BMW ATHLETICS.



## Triathlon Bag, \$110.

This functional sports bag has been developed in cooperation with OGIO to meet the specific requirements of triathletes (and weekend warriors). Features include a large main storage section, ventilated shoe compartment, insulated pocket for wet items, and a lockable, impact-resistant section for your mobile phone or heart rate monitor. An additional helmet compartment, two insulated drinks pockets, three food sections and two pockets for glasses add the finishing touches to this pro bag. Adjustable shoulder straps also enable use as a backpack. With tarpaulin-reinforced underside, BMW Athletics wordmark at the front, and BMW and OGIO logos. Dimensions (L x W x H): 24.4" x 13.7" x 9.8". Capacity: approx. 2.8 cu. ft. Material: 600 D Poly, 420 hex ripstop, tarpaulin. Imported.

Royal Blue 80 22 2 231 776

## Sports Backpack, \$55.

This ultra-lightweight backpack has a padded back section and ergonomic straps for great carrying comfort. With one main compartment, two differently sized sections for valuables and accessories, adjustable external shock cord webbing and two mesh pockets for drinks, it provides ample space for your sporting essentials. BMW Athletics wordmark and BMW and OGIO logos. Dimensions (L x W x H): 13.4" x 4.7" x 18.9". Capacity: approx. 0.5 cu. ft. Material: 600 D Poly, 420 hex ripstop, tarpaulin. Imported.

Royal Blue 80 22 2 290 819



## Drink Bottle, \$10.

Lightweight plastic bottle fits easily into BMW athletics bags. With BMW Athletics wordmark and BMW and PUMA® logos. Capacity: 25 oz.

Royal Blue/Silver Metallic  
80 23 2 231 780



## Sports Towel, \$40.

Pleasantly soft, large sports towel with silvertone BMW Athletics wordmark, design elements and PUMA® logo. Dimensions: 59" x 43.3". Material: 100% cotton. Imported.

Royal Blue / Silver Metallic  
80 23 2 231 777



BMW M Performance  
4 Series

[shopbmwusa.com](http://shopbmwusa.com)



The Ultimate  
Driving Machine®

# EVERY PULSE HAS A REDLINE.

## BMW M PERFORMANCE PARTS.

powered by 



A

## WELL-EARNED STREET CRED. BMW M PERFORMANCE PARTS.

BMW M Performance Parts are the result of many years of BMW motor racing know-how and have been closely developed with BMW M GmbH. Each component goes through an intense development and manufacturing process, so uncompromising sportiness is consistently realized every time.

This is sportiness, of course, that you can also experience. Whether it's for aerodynamics, the chassis, the drivetrain or the cockpit, you can look forward to something incomparable – authentic motor sport genes in your BMW 4 Series Coupe.



**A. BMW M Performance 20" Style 624M, Black**

8" x 20" 225/35R20 90Y front,  
8.5" x 20", 255/30R20 92Y rear.

Complete wheel set – Includes four wheels  
and Pirelli P Zero Run-Flat Tires.

For vehicles produced up to 03/14 with RDC LC  
36 11 2 352 868 Price: \$4,500.00

For vehicles produced from 03/14-on with RDC i  
36 11 2 287 896 Price: \$4,750.00

**B. BMW M Performance 20" Style 624M, Polished**

8" x 20" 225/35R20 90Y front,  
8.5" x 20", 255/30R20 92Y rear.

Complete wheel set – Includes four wheels  
and Pirelli P Zero Run-Flat Tires.

For vehicles produced up to 03/14 with RDC LC  
36 11 2 353 238 Price: \$4,500.00

For vehicles produced from 03/14-on with RDC i  
36 11 2 287 897 Price: \$4,995.00

All wheels feature run-flat tires. For more information about run-flat technology, please refer to your specific vehicle's Owner's Manual for complete details.

Note: Driving over rough or damaged road surfaces, as well as debris, curbs and other obstacles can cause serious damage to wheels, tires and suspension parts. This is more likely to occur with low-profile tires, which provide less cushioning between the wheel and the road. Be careful to avoid road hazards and reduce your speed, especially if your vehicle is equipped with low-profile tires.

**C. BMW M Performance 20" Style 405M**

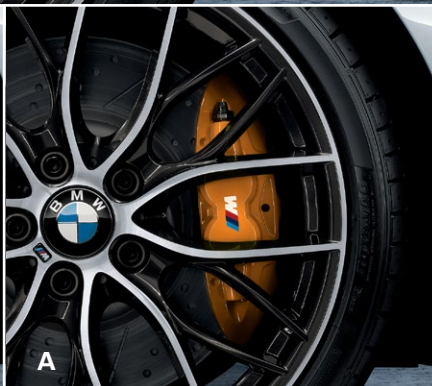
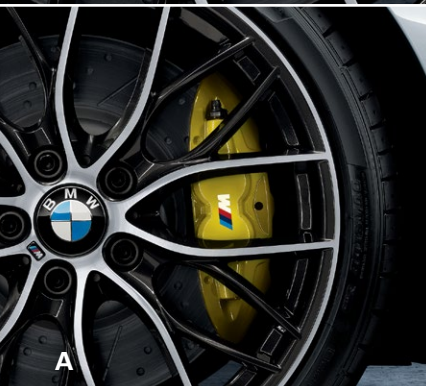
8" x 20" 225/35R20 90Y front,  
8.5" x 20", 255/30R20 92Y rear.

Complete wheel set – Includes four wheels  
and Pirelli P Zero Run-Flat Tires.

For vehicles produced up to 03/14 with RDC LC  
36 11 2 219 672 Price: \$4,500.00

For vehicles produced from 03/14-on with RDC i  
36 11 2 287 894 Price: \$4,750.00





### **A. BMW M Performance Brake System Big Brake Kit with Painted Calipers**

Equipped with Brembo high-performance 4-piston aluminum fixed calipers on the front axle and 2-piston aluminum fixed calipers on the rear axle, available in M Performance Red, Yellow and Orange, with M logo. Drilled and grooved, internally-ventilated lightweight brake discs with riveted aluminum hat measuring 370 x 30 mm (diameter x thickness) on the front axle and 345 x 24 mm on the rear axle (rear brake discs must be ordered separately).

Note: Minimum of 18" wheels are required for this brake kit.

M Performance Red  
34 11 2 221 445 Price: \$2,300.00

M Performance Yellow  
34 11 2 221 446 Price: \$2,300.00

M Performance Orange  
34 11 2 221 447 Price: \$2,300.00

M Performance Brake Discs (two required)

Front: 34 10 6 797 603 Price: \$400.00

Rear; 428: 34 20 6 797 598 Price: \$250.00

Rear; 435i: 34 20 6 797 600 Price: \$250.00

Front discs are used only in conjunction with M Sport Brakes (option 2NH). Rear Brake Discs are applicable to both the BMW M Performance Brake System and M Sport Brakes (2NH). Consult your BMW center for more details.

### **B. BMW M Performance Black Kidney Grilles**

Enhance the distinctive and dynamic character of the BMW 4 Series with these high-gloss black kidney grilles.

Right

51 71 2 336 813      Price: \$80.00

Left

51 71 2 336 814      Price: \$80.00

### **C. BMW M Performance Carbon Fiber Front Splitter**

The BMW M Performance Front Splitter is designed to decrease lift in the front of the vehicle and provide a sporty, aggressive look. BMW recommends pairing the front splitter with the BMW M Performance Rear Spoiler for balanced aerodynamics and excellent visual appeal.

The BMW M Performance Front Splitter can only be installed on vehicles fitted with the M Sport Line. To ensure proper driving behavior/aerodynamic balance, it is strongly recommended that the rear trunk lid spoiler be installed in conjunction with the front splitter.

51 19 2 334 548      Price: \$1,500.00





### **A. BMW M Performance Carbon Fiber Mirror Caps**

These high quality mirror covers are handmade using a carbon fiber weaving process and are clear-coated to protect them from discoloration caused by UV rays.

Right  
51 16 2 211 904      Price: \$325.00

Left  
51 16 2 211 905      Price: \$325.00

### **B. Rear Lip Spoiler (not shown)**

Small Rear Lip Spoiler suitable for installation on any 4 Series. Can be painted or left black.

51 19 2 354 500      Price: \$275.00

### **C. BMW M Performance Carbon Fiber Rear Spoiler**

Carefully manufactured by hand, this high-quality carbon fiber spoiler enhances aerodynamics and customizes the car's appearance. Highest quality clearcoat is tested to ensure lasting shine and durability.

51 62 2 334 545      Price: \$625.00

### **D. BMW M Performance Side Skirt Films**

Complete the look with these BMW M Performance decals for the rocker panels. Only applicable to vehicles fitted with the M Sport Line.

M Sport Only  
51 14 2 348 911      Price: \$175.00

### **E. BMW M Performance Rear Diffuser**

This rear diffuser has been designed to perfectly fit 4 Series vehicles with the M Sport Line. Produced using a PUR-RIM (Polyurethane Reaction Injected Molding), a process that makes it both strong and lightweight, the diffuser comes in a black matte finish and can be painted if desired.

428i – M Sport only

51 19 2 334 543      Price: \$500.00

435i – M Sport only

51 19 2 339 218      Price: \$500.00

### **F. BMW M Performance Side Stripes**

Customize and accentuate the sporty characteristics of the BMW 4 Series with the BMW M Performance Side Stripes.

51 14 2 351 086      Price: \$175.00





A-C

**A. BMW M Performance Carbon Fiber Selector Lever Cover**

The Selector Lever incorporates the same open-pore technology as the interior trim and has the M Performance branding located in the gear shift graphic.

Automatic  
61 31 2 250 696      Price: \$250.00

Sport Automatic  
61 31 2 250 698      Price: \$250.00

**B. BMW M Performance Carbon Fiber Center Console Cover**

This beautifully crafted center console cover uses real carbon fiber and alcantara to highlight the automatic shift lever in the 4 Series. This component is a perfect complement to the Interior Carbon Fiber Trim kit and the Carbon Fiber Selector Lever Cover.

51 16 2 343 741      Price: \$175.00

**C. BMW M Performance Carbon Fiber and Alcantara Brake Handle**

It's all in the details with this eye-catching addition to the interior.

34 40 2 222 538      Price: \$180.00

**D. BMW M Performance Carbon Fiber and Alcantara Shift Knob**

Accented with carbon fiber and alcantara for a sporty look and feel.

25 11 2 222 534      Price: \$250.00



D



E

### E. BMW M Performance Steering Wheel II in Alcantara

The perfect addition for any performance enthusiast. Features Shift Indicator Lights, 0-60mph, quarter mile and lap times, lateral and longitudinal acceleration values and displays Efficient Dynamics data. Genuine carbon fiber adds to its racing feel and exclusivity. The wheel is fully wrapped in alcantara to provide excellent grip and comfort in extreme driving situations.

With carbon fiber cover and race display  
32 30 2 230 189 Price: \$1,751.00

With carbon fiber cover without race display/  
with red stripe at 12 o'clock (not shown)  
32 30 2 230 188 Price: \$935.00

### F. BMW M Performance Carbon Fiber Interior Trim

An innovative and unique design taken from the world of Motorsport. This 7-piece interior trim set replaces the vehicle's existing trim (door handle pulls and dashboard insert) with open-pore carbon fiber and alcantara. The open-pore carbon fiber is protected with a satin finish which also allows for the carbon structure to be felt. The alcantara trim over the dashboard is branded with the M Performance trademark.

51 95 2 350 474 Price: \$1,000.00

### G. Pedal Cover, Stainless Steel

Pedals are patterned with non-slip rubber inserts for maximum control.

Manual  
35 00 2 232 278 Price: \$150.00

Automatic  
35 00 2 232 276 Price: \$150.00

### H. Footrest, Stainless Steel

A striking addition to the footwell. Non M Sport only.

51 47 2 232 279 Price: \$150.00





A



B

### **A. BMW M Performance Exhaust System**

The BMW M Performance Exhaust produces a sporty, powerful tone with minimal droning while simultaneously reducing exhaust gas backpressure. Developed using state-of-the-art CAD and FEM technology, this stainless steel exhaust system improves the sound quality and volume of the hallmark BMW inline six-cylinder engine. A unique, high-tech look is provided by two stainless steel 80 mm exhaust tips which are laser engraved with the M logo. Requires two exhaust tips.

428i: 18 30 2 293 771      Price: \$1,200.00

435i: 18 30 2 354 340      Price: \$1,200.00

### **B. Exhaust Pipe Finisher, Carbon Fiber**

This exhaust tip highlights the BMW M Performance Exhaust in a unique way utilizing a carbon fiber sleeve around the stainless steel tip. The carbon fiber finisher surrounds the laser inscribed M logo for a futuristic touch. Two required.

435i: 18 30 2 355 889      Price: \$250.00

### **C. Exhaust Pipe Finisher, Stainless Steel (not shown)**

This classically styled exhaust tip features a laser inscribed M logo with an 80mm diameter. Two required.

435i: 18 30 2 354 364      Price: \$100.00



#### D. BMW M Performance Suspension

The BMW M Performance Suspension system is the best way to increase the dynamic abilities of your 4 Series. Developed in conjunction with M GmbH, this suspension system stiffens the ride to reduce body rolls while also reducing ride height by 20mm over the standard suspension and 10mm over the M Sport suspension. Springs must be purchased separately. Additional parts required. Consult your local BMW center for more details and pricing information.

428i: 33 50 2 357 632      Price: \$1,400.00

435i: 33 50 2 357 631      Price: \$1,400.00

#### E. BMW M Performance Limited Slip Differential

For the ultimate in track day performance, the BMW M Performance Limited Slip Differential is here. This clutch-type mechanical differential features a 30% lockup on acceleration and 9% lockup on deceleration. The differential works with the existing DSC system to provide excellent traction wet or dry.

335i/435i Automatic

33 10 7 555 607

Price: \$2,995.00

Driving over rough or damaged road surfaces, as well as debris, curbs and other obstacles can cause serious damage to wheels, tires and suspension parts. This is more likely to occur with low-profile tires, which provide less cushioning between the wheel and the road. Be careful to avoid road hazards and reduce your speed, especially if your vehicle is equipped with low-profile tires.

Check with your authorized BMW center for complete information, availability and installation costs. European vehicles and products may be shown. All prices are subject to change without notice.

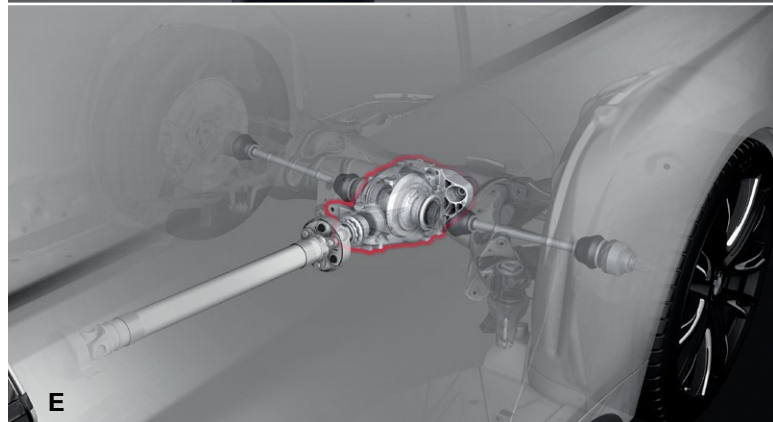
While BMW NA makes all reasonable efforts to provide accurate information in this brochure, there is no guarantee or warranty of accuracy. Furthermore, we do not assume any liability for the accuracy or completeness of information presented in this brochure.

©2014 BMW of North America, LLC. This brochure, or any portion thereof, may not be reproduced without the express written permission of BMW of North America, LLC. The BMW name, model names and logo are registered trademarks. All rights reserved.

PD1-F32-20M Printed In USA 06/14



D



E

# BMW MOTORSPORT COLLECTION.

The legacy of BMW is marked by its continuing Motorsport success. And the versatility of the BMW Motorsport Collection is just as extraordinary: functional materials, suitable for any kind of weather, high-quality bags for sports and travel, as well as sophisticated accessories that complement each other to perfection.



**Ladies' Motorsport Sweat Jacket, \$89.**

This soft, warm sweat jacket has a napped cotton inner and will fit you perfectly – thanks to the elastic ribbed collar, hem and cuffs and darts at waist height. The glossy BMW Motorsport stripes along the zip provide a visual highlight. Rubberized BMW logo on the left sleeve, "powered by M" wordmark and BMW Motorsport patch on the back. Material: 95% cotton, 5% elastane. Imported.

Dark Blue XS–XL 80 14 2 318 215–219



**Men's Motorsport Tee, \$50.**

Bold, graphic tee sports the BMW M stripes and logo. Material: 100% cotton. Imported.

White S–XXL  
80 14 2 296 236–240



**Men's Motorsport Longsleeve, \$62.**

Super-soft pullover features 5-button placket, sporty quilting along the sleeves and shoulders, BMW Motorsport on left chest, and BMW M stripe details. Material: 100% cotton. Imported.

Navy S–XXL  
80 30 2 207 866–870



**Soft Shell Motorsport Jacket, \$140.**

Sporty and warm leisure jacket made from a slightly glossy, wind- and water repellent material. Detachable hood. Sturdy flat-felled seams and a tailored fit ensure that the ladies' jacket retains its shape. The men's jacket has a straight seam at the top which accentuates the shoulder area. Covered drawstring waistband with stopper for regulating your temperature. Collar inside with fashionable striped tape and dark blue rubber zip pull. BMW logo on the left sleeve and "powered by M" logo and BMW Motorsport patch on the back. Material: 100% polyester. Imported.

Men's Dark Blue S-XXL 80 14 2 318 250-254  
 Ladies' White XS-XL 80 14 2 318 220-224



**Motorsport Cap, \$21.**

Sporty unisex cap with dark blue visor underside. The visor is made of sturdy material which can be fixed in new positions repeatedly without losing shape. Flat-felled seams for optimal fit. Red stripe around the edge of the peak and adjustable metal closure with striped Motorsport tape. Material: 95% polyester, 5% elastane. Imported.

White 80 16 2 318 261

**Motorsport Team Cap, \$36.**

Features include sporty white and red stripes as well as sponsor logos on the sides. Back has "powered by M" wordmark and metal closure. Material: 100% polyester. Imported.

Dark Blue 80 16 2 296 246

**Motorsport Metal Sunglasses, \$99.**

Delicately designed aviator-style sunglasses. These glasses provide perfect protection for drivers thanks to their gray tint and 100% UVA/UVB/UVC protection up to 400 nm. Black case with protective pouch and cleaning cloth. Material: metal.

Dark Blue 80 30 2 208 239





**Motorsport Travel Bag, \$160.**

With this bag, you have versatility at your fingertips: use it as a trolley with a telescopic handle and easy-glide in-line wheels or as a sports and travel bag with padded handles at the top and side. It also doubles as a backpack with adjustable carry handles and a padded back. The large main compartment has mesh dividers and easily accessible storage compartments with zips. Two inner compartments when used as a suitcase, three when used as a sports and travel bag. Two small side compartments with striped zip and numerous BMW Motorsport details. Material: nylon. Lining: polyester. Imported. Dimensions (L x W x H): 14.9" x 12.6" x 24.4". Capacity: 2.6 cu. ft.

Dark Blue/White/Red      80 22 2 318 278



**Motorsport Ballpoint Pen, \$4.**

Ballpoint pen with a contemporary Motorsport design.

Dark Blue  
80 24 2 318 266

# BMW M COLLECTION.

The powerful BMW M automobiles represent performance, superior technology and a true passion for motor racing. These characteristics are easily recognizable in the BMW M Collection. Strong colors, durable materials and eye-catching accents appeal to motor racing fans as much as to all those who appreciate dynamic design.



**"I'M FAN" Motorsport T-Shirt, \$30.**

Fan T-shirt comes in a sporty laid-back style for men and a tailored version for ladies. Material: 100% cotton. Imported.

Men's Black    S-XL    80 14 2 344 013-016  
Ladies' Black    S-L    80 14 2 344 017-019



**M Cap, \$31.**

This fashionable cap features microfibers creating a subtle sheen. With many contrasting inserts, matte silver metal closure and embossed BMW M logo. Material: 100% polyester. Imported.

Anthracite 80 16 2 344 397

**M Carbon Key Ring Pendant, \$37.**

Doesn't just look great: thanks to its carbon inlay, this key ring pendant also feels great to the touch. With colored BMW M logo on the front and flat, beautifully designed split ring. Material: stainless steel with carbon inlay.

Silvertone/Carbon 80 27 2 304 189



**Ladies' M T-Shirt, \$40.**

Sporty and feminine: tailored ladies' T-shirt with fashionable V-neck. With colored embroidered BMW M logo on the front left. Material: 95% cotton, 5% elastane.

Red S-XXL 80 14 2 211 743-747



**M Sneaker Street Turneo Mid, \$140.**

Half-height anthracite PUMA® sneaker with BMW M design featuring red and silvertone appliqué stripes. The upper is made of smooth man-made leather; the tip, heel and tongue are made of velour-style material. The ankle area has a carbon-look textile reinforcement, and the half-height shaft ensures a perfect, stable fit. These sneakers come with bi-color laces in black with red edges and matching shoelace eyelets. Imported.

Anthracite		M9	80 16 2 344 414
M6	80 16 2 344 410	M10	80 16 2 344 415
M7	80 16 2 344 411	M10.5	80 16 2 344 416
M7.5	80 16 2 344 412	M11.5	80 16 2 344 417
M8.5	80 16 2 344 413	M112	80 16 2 344 418