

dodge.com / 800-4ADODGE / 2010 CALIBER



machaikdcj.com



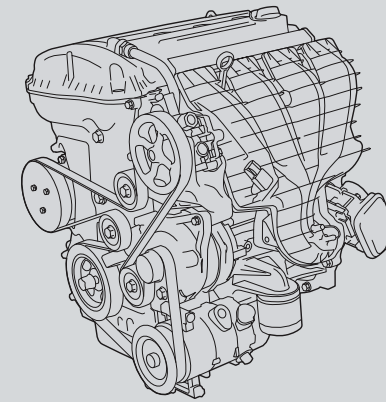
2010 Dodge Caliber radiates toughness at any angle with large wraparound quad halogen headlamps, signature Dodge crosshair grille, and broad-shouldered wheel flares. The Caliber Uptown delivers 17-inch cast aluminum wheels, with 158 horsepower and 141 lb-ft of torque generated by a standard 2.0-liter power plant with dual Variable Valve Timing (VVT) finished off with an aerodynamically designed rear spoiler. Incredibly, even with all that power, Caliber offers a very impressive 31 est. mpg on the highway.^[1] There's more at dodge.com/caliber ^[1]EPA est. 23 city/29 hwy mpg with 2.4-liter engine and 5-speed manual transaxle. EPA est.

23 city/31 hwy mpg with 2.0-liter engine and 5-speed manual transaxle.

machaikdj.com

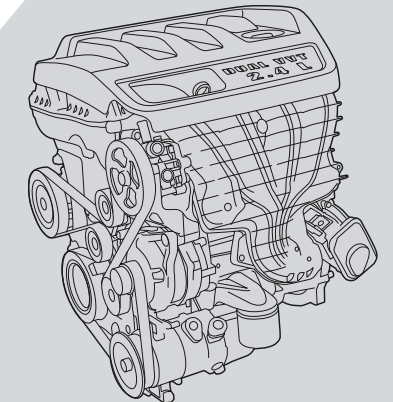


machaikdcj.com



2.0-LITER DOHC DUAL VARIABLE VALVE TIMING (VVT)

16V I-4: The 2.0-liter engine is standard on Caliber Express, Mainstreet, Heat, and Uptown models, and delivers 158 horsepower @ 6,400 rpm and 141 lb-ft of torque @ 5,000 rpm, coupled with a standard 5-speed manual transaxle on Express and Heat, with a CVT2 automatic standard on Mainstreet and Uptown. Power and fuel economy is up to speed with an EPA est. 23/31^[1] mpg for city/highway on models equipped with the 5-speed transaxle.



2.4-LITER DOHC DUAL VARIABLE VALVE TIMING (VVT)

16V I-4: Standard on Caliber Rush, and available on Uptown, it generates 172 horsepower @ 6,000 rpm and 165 lb-ft of torque @ 4,400 rpm. The 2.4-liter engine gets an EPA est. 21/25 mpg for city/highway with automatic, and an EPA est. 23/29 mpg for city/highway with manual transaxle.^[1] ©2010 EPA fuel economy estimates. Your mileage may vary.



Caliber delivers form, function, and convenience beyond expectation. An available removable and rechargeable LED cargo light/flashlight is piggybacked onto the headliner of Caliber's rear cargo area.

Stock the top level of the two-tiered glove box, aptly named Chill Zone,[®] and four 12-oz cans or four 20-oz bottles can maintain their cool temperature with the help of the air conditioner. Level two holds the Owner's Manual and essential travel items. With a 60/40 split-folding rear seat and an available front-passenger seat that also folds flat, you can configure the best passenger-to-gear ratio for every trip. With all seats in the upright position, there's 18.5 cu ft of rear cargo room. With rear seats folded flat, cargo room expands to a cavernous 48 cu ft, making hauling big stuff a breeze. Because a ride like this attracts company, Caliber seats up to five. With available rear seats that recline, everyone's comfortable.



INSULATED machaike.com



Properly secure all cargo.

machaikdcj.com



machaikdcj.com



Uconnect MEDIA CENTER. Available 730N AM/FM/CD/DVD^[1] radio with 30GB hard drive, GPS Navigation, 6.5-inch touch screen, MP3/WMA support, USB input, 4,250 song capacity, SIRIUS® Satellite Radio,^[2] SIRIUS Traffic™ and Voice Command. **iPod® CONTROL.** Connect most iPod compatible devices to your car's stereo using the in-car cable, then control them with your radio or steering wheel controls. Keeps the devices charged too.

Uconnect WEB.^[3] An in-car router that connects any Wi-Fi-enabled device to the Internet at 3G broadband speeds, allowing multiple passengers to surf the Web and social networks, look up directions, check eMail or download music. Uconnect Web is an Authentic Dodge Accessory by Mopar. Subscription required, sold separately. **VOICE COMMAND.** Lets you select radio stations, satellite radio channels,^[4] and navigation^[4] destinations using voice commands.

Works with all Uconnect Media Center radios. Included with Uconnect Phone. **Uconnect PHONE.** Lets you talk on your Bluetooth® compatible phone virtually hands-free. Address Sync^[5] lets you call anyone in your address book by saying their name. ^[1]In-dash DVD capability not available in all states. See your dealer for details.

^[2]SIRIUS service available only in contiguous United States and D.C. Service available in Canada; see siriuscanada.ca. Subscription required after 12-month subscription included with vehicle purchase. Subscriptions governed by SIRIUS Terms & Conditions available at sirius.com.

SIRIUS, XM, and all related marks and logos are trademarks of SIRIUS XM Radio Inc. and its subsidiaries. ^[3]The Uconnect Web feature is not intended for use by the driver while the vehicle is in motion. ^[4]When satellite radio and navigation features are equipped on your vehicle.

Any voice-commanded system should be used only in safe driving conditions and all attention should be kept on the roadway ahead. Failure to do so may result in an accident causing serious injury or death. ^[5]Phone must support Bluetooth Phone Book Access Profile (PBAP).

RELEASE VALVE
machaikdj.com



MUSICGATE POWER.® Open it up, and dig your one-and-a-half-ton boom box. The available MusicGate Power rocks with a 368-watt Boston Acoustics® nine-speaker sound system (including a subwoofer built into the rear cargo area) and two speakers that swing down from the rear liftgate when open. Standard on Uptown and Rush. Available on Heat.



machaikdcj.com



Optional Mopar 17-inch Chrome Wheel shown above.

machaikdcj.com



machaikdcj.com

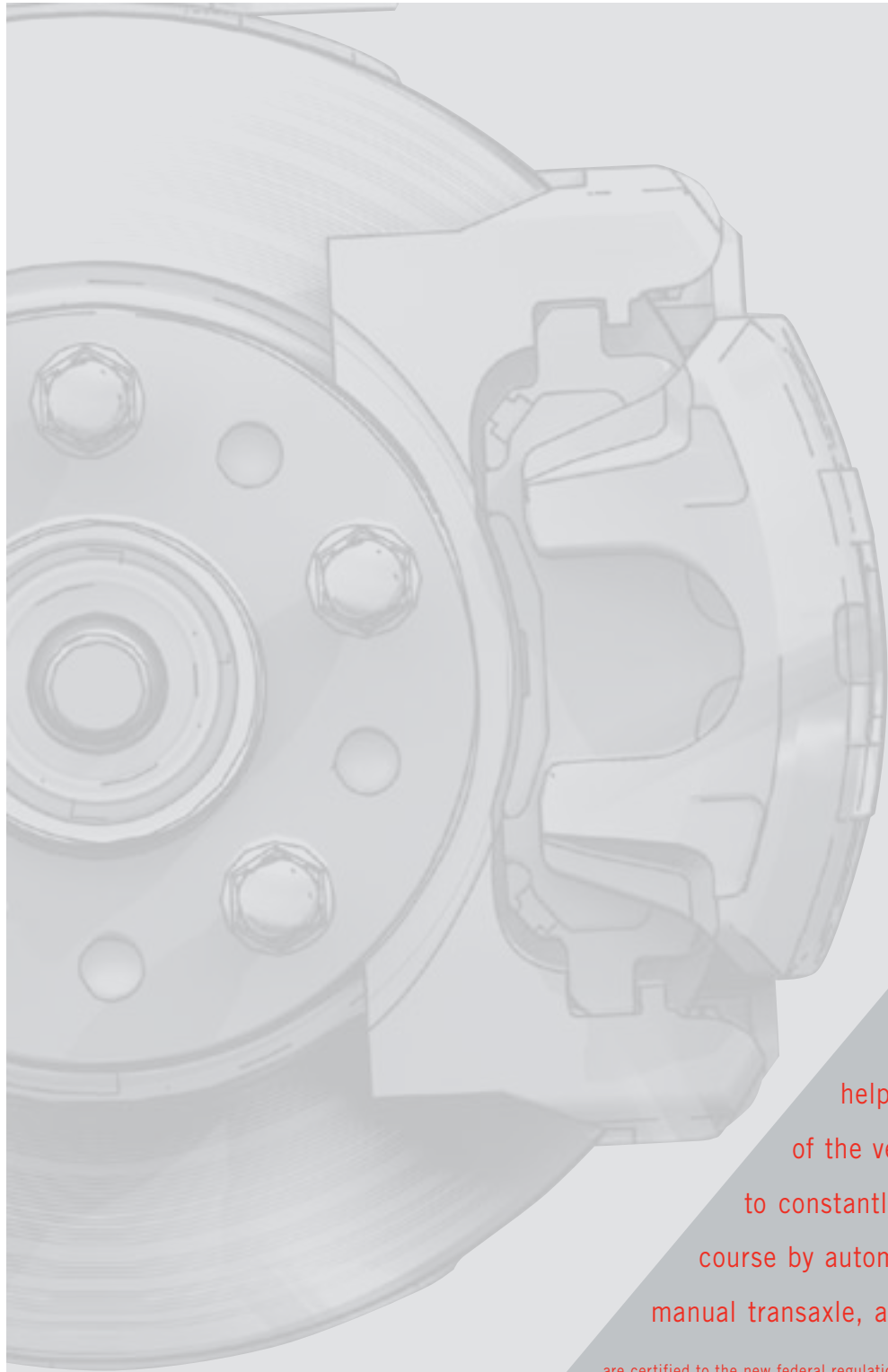
Caliber loaded with Authentic Dodge Accessories by Mopar, including Three-Piece Body Kit, Rear Spoiler, Chrome Fuel Filler Door and Aluminum Wheels.



When you enhance your Caliber with Authentic Dodge Accessories by Mopar, you gain far more than sophisticated style, premium protection, powerful performance, or engaging entertainment. You also benefit from the peace of mind that comes with knowing that each and every accessory has met Mopar's stringent guidelines for tolerances and quality. Choose from the full line of accessories that feature a fit, finish, and functionality designed specifically for your Caliber. **THREE-PIECE BODY KIT.** It's an instant fit and an instant hit. This kit features front and side accents designed specifically for your Caliber's aggressive, bold stance. **REAR SPOILER.** Not only does it provide a little aerodynamic incentive, it also attracts approving looks with its uncompromising presence. And it's prepainted with a durable Clear Coat finish to match select body-colors. **CHROME FUEL FILLER DOOR.** It's the go-to accessory that brightly complements every body-color. The uniquely sculpted one-piece design replaces your existing fuel door with a seamless fit. **ALUMINUM WHEELS.** These 17-inch 5-spoke chrome-plated wheels help you make a statement from any angle, with a guaranteed long-lasting shine to back it up. They're also machined to match your Caliber's exact specifications for a balanced ride. Check us out at mopar.com



machaikdcj.com



Protecting passengers is Caliber's greatest priority. The front-end crush zone is designed to divert and dissipate energy away from the passenger compartment while the safety cage construction helps provide a protective shell around its occupants. Advanced multistage driver and front-passenger air bags^[1] help provide nearly instantaneous occupant protection. Standard supplemental side-curtain air bags^[1] provide side-impact protection. Technologically advanced electronics allow Caliber's antilock brake system (ABS) to provide fast response time. ABS helps prevent wheel-lock and helps maintain directional control when braking on slippery surfaces. Designed to assist the driver in maintaining control of the vehicle at all times, available Electronic Stability Control^[2] (ESC) also includes Brake Assist and all-speed traction control to constantly monitor the driver's input against the vehicle's actual course. If needed, ESC will attempt to correct the vehicle's course by automatically applying the brake and/or reducing engine torque. Outfit Caliber with the available Security Group and a manual transaxle, and benefit from Hill Start Assist, making it easier to resume travel on an incline. ^[1]The Advanced Front Air Bags in this vehicle

are certified to the new federal regulations for advanced air bags. Children 12 years old and younger should always ride buckled up in a rear seat. Infants in rear-facing child restraints should never ride in the front seat

of a vehicle with a passenger front air bag. All occupants should always wear their lap and shoulder belts properly. ^[2]No system, no matter how sophisticated, can repeal the laws of physics or overcome careless driving

actions. Performance is limited by available traction, which snow, ice and other conditions can affect. When the ESC warning lamp in the speedometer flashes, the driver needs to use less throttle and adapt speed and driving

behavior to prevailing road conditions.

machaikdcj.com

CALIBER EARNED A FIVE-STAR GOVERNMENT FRONT AND SIDE-IMPACT CRASH TEST RATING. STAR RATINGS ARE PART OF THE U.S. DEPARTMENT OF TRANSPORTATION'S SAFERCAR.GOV PROGRAM (WWW.SAFERCAR.GOV).

★★★★★
FIVE-STAR

HIGHEST GOVERNMENT
FRONTAL CRASH TEST RATING

AVAILABLE SUPPLEMENTAL FRONT-SEAT SIDE MOUNTED AIR BAGS⁽¹⁾ OFFER AN ADDITIONAL LEVEL OF IMPACT PROTECTION AND SECURITY.

ALL MODELS INCLUDE A DRIVER'S-SIDE INFLATABLE KNEE BLOCKER AS STANDARD EQUIPMENT.

SAFETY EQUIPMENT REQUIRED

⁽¹⁾The Advanced Front Air Bags in this vehicle are certified to the new federal regulations for advanced air bags. Children 12 years old and younger should always ride buckled up in a rear seat. Infants in rear-facing child restraints should never ride in the front seat of a vehicle with a passenger front air bag. All occupants should always wear their lap and shoulder belts properly.

machaikdcj.com





EXPRESS. 2.0-liter DOHC 16V I-4 158 hp engine with dual Variable Valve Timing (VVT). Five-speed manual transmission. Four-wheel independent suspension. Front disc/rear drum antilock brakes. Uconnect™ Phone with Voice Command and iPod® control features. Media Center 130 with SIRIUS® Satellite Radio (1-year subscription included). Air conditioning with Chill Zone® beverage storage bin. Premium cloth reclining front bucket seats and 60/40 split fold-flat rear seats. 15-inch Silver painted wheel covers. Add ons: 17-inch Aluminum Wheel Group with touring-tuned suspension. Up to 31 EPA est. hwy mpg.



MAINSTREET. Bright front grille surround molding. Continuously Variable (CVT2) automatic transaxle. Touring-tuned suspension. Fog lamps. Front-passenger forward fold-flat seat and 60/40 split fold-flat reclining rear seats. 17-inch Silver painted aluminum wheels. Add ons: Heated front seats and Electronic Vehicle Information Center (available in Driver Convenience Group). Security Group.

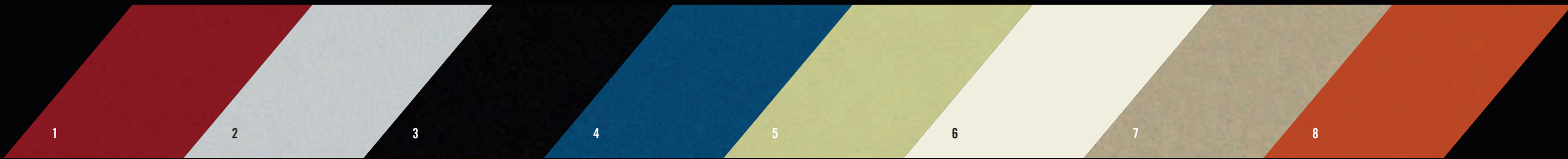
HEAT. Sport-suspension tuning. Sport Appearance Group. 18-inch polished aluminum wheels. ABS 4-wheel disc brakes. Add ons: CVT2 automatic transaxle with AutoStick® and Tip Start. Premium Sound Group with 9-speaker 368-watt system with Media Center 430 CD/DVD/HDD radio. Security Group (with ESC,^[1] remote start system, front-seat mounted side air bags, security alarm and more).

UPTOWN. Touring-tuned suspension. Leather-trimmed bucket seats. Automatic temperature control (ATC). Leather-wrapped steering wheel with audio controls. Power six-way driver's seat. Add ons: 2.4L DOHC 16V 172-hp engine with dual VVT. Media Center 430 AM/FM/CD/DVD^[2] radio with 6.5-inch touch-screen display, 30GB hard drive, and audio jack. Media Center 730N AM/FM/CD/DVD^[2] radio with GPS Navigation and SIRIUS Satellite Radio and SIRIUS Traffic™ (1-year subscription included).^[2] Security Group.



RUSH. Bright bodyside molding and exhaust tip. 2.4-liter DOHC 16V I-4 172-hp engine with dual VVT and five-speed manual transmission. Sport-suspension tuning. Sport Appearance Group with premium cloth seats with colored inserts, color-keyed instrument panel and shift console trim. Add ons: Leather Interior Group. Media Center 730N AM/FM/CD/DVD^[2] radio with GPS Navigation and SIRIUS Satellite Radio (1-year subscription included). Security Group.

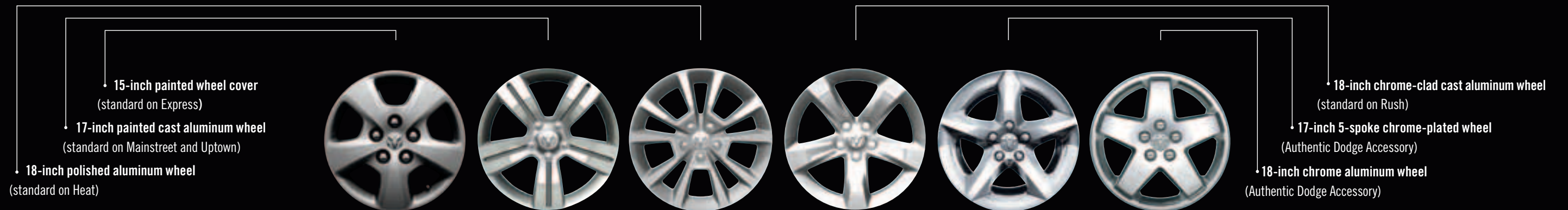
^[1]No system, no matter how sophisticated, can repeal the laws of physics or overcome careless driving actions. Performance is limited by available traction, which snow, ice and other conditions can affect. When the ESC warning lamp in the speedometer flashes, the driver needs to use less throttle and adapt speed and driving behavior to prevailing road conditions. Always drive carefully, consistent with conditions. Always wear your seat belt. ^[2]See page 19 for details.



CALIBER EXTERIOR COLORS: 1) Inferno Red Crystal Pearl 2) Bright Silver Metallic 3) Brilliant Black Crystal Pearl 4) Deep Water Blue Pearl 5) Optic Green Metallic 6) Stone White 7) Light Sandstone Metallic 8) Sunburst Orange Pearl



CALIBER INTERIOR COLORS: A) Cubic/Duet Cloth. Dark Slate Gray with Light Slate Gray accent color. B) Cubic/Duet Cloth. Medium Graystone with Dark Slate Gray accent color. C) Cubic/Duet Cloth. Dark Slate Gray with Red accent color. D) Cubic/Duet Cloth. Dark Slate Gray with Blue accent color. E) Radar Perforated Leather Inserts/Sutton Vinyl Dark Slate Gray with Pastel Slate Gray accent stitching. F) Radar Perforated Leather Inserts/Sutton Vinyl Medium Slate Gray with Dark Slate Gray accent stitching.



machaikdj.com

FEATURES COMMON ACROSS ALL TRIM LEVELS

AIR BAGS ^[1] — Advanced multistage driver and front-passenger and driver-side inflatable, driver knee blocker and supplemental side-curtain
AIR CONDITIONING WITH CHILL ZONE [®] STORAGE
ANTILOCK BRAKES
AUXILIARY POWER OUTLET, 115-VOLT (150-amp capacity)
CHILD PROTECTION REAR DOOR LOCKS
CHILD SEAT ANCHOR SYSTEM (LATCH) — Lower and upper tether anchors help ease the installation of aftermarket child seats
CONSOLE — Floor, sliding armrest with storage, 2 illuminated cup holders (front)/2 cup holders (rear), cubby bin
CABIN PARTICULATE AIR FILTRATION
FUEL TANK — 13.6-gallon
LOW-BACK BUCKET SEATS — With active front seat head restraints
MIRRORS — Power, heated Black
OUTSIDE TEMPERATURE DISPLAY — Located in odometer
POWER ACCESSORY — 12V auxiliary with delay feature located on instrument panel
POWER DOOR LOCKS AND WINDOWS WITH DRIVER ONE-TOUCH DOWN FEATURE
REMOTE KEYLESS/ILLUMINATED ENTRY
REARVIEW MIRROR WITH AUTO-DIMMING AND BUILT-IN MICROPHONE
REAR WINDOW DEFROSTER, WIPER/WASHER
SENTRY KEY [®] THEFT-DETERRENT SYSTEM
SIRIUS [®] SATELLITE RADIO WITH 1-YEAR FREE SUBSCRIPTION ^[4]
SPEED CONTROL
STORAGE — Concealed rear bin (not available with Premium Sound Group) — Cargo area; split-folding rear seatbacks with fold-flat feature, load floor with removable carpet
SUSPENSION — Four-wheel independent MacPherson strut front; multilink rear
TILT STEERING COLUMN
TIRE PRESSURE MONITORING WARNING LAMP
TONNEAU COVER, SOFT, ROLL-UP
UCONNECT [™] PHONE WITH VOICE COMMAND AND iPod [®] CONTROL FEATURES

ENGINE AND TRANSMISSION

	FWD				
	EXPRESS	MAINSTREET	HEAT	UPTOWN	RUSH
2.0L DOHC 16V I-4 WITH DUAL VVT/5-SPEED MANUAL	2BC		2BJ		
2.0L DOHC 16V I-4 WITH DUAL VVT/CONTINUOUSLY VARIABLE AUTOMATIC TRANSAXLE II (CVT2) with Tip Start feature (AutoStick [®] feature on Uptown models)		24F	24J	24M	
2.4L DOHC 16V I-4 WITH DUAL VVT/5-SPEED MANUAL					25Z
2.4L DOHC 16V I-4 WITH DUAL VVT/CONTINUOUSLY VARIABLE AUTOMATIC TRANSAXLE II (CVT2) with Tip Start feature (AutoStick [®] feature on Rush models)				26M	26Z

MECHANICAL

	EXPRESS	MAINSTREET	HEAT	UPTOWN	RUSH
BRAKES — Power front disc/rear drum with ABS — Power 4-wheel disc ABS	•	•			
ELECTRONIC STABILITY CONTROL (ESC) ^[2] — Includes Brake Assist, all-speed traction control, Hill Start Assist (requires manual transmission) and 4-wheel disc antilock brakes (included with Security Group)		P	P	P	P
STEERING — Power rack-and-pinion — Performance-tuned power rack-and-pinion	•	•		•	•
SUSPENSION — Standard-tuned — Touring-tuned — Sport-tuned	•		•	•	•

EXTERIOR FEATURES

	EXPRESS	MAINSTREET	HEAT	UPTOWN	RUSH
BRIGHT BODYSIDE MOLDING					•
GRILLE — Body-color — Bright	•		•	•	•
HEADLAMPS — Daytime Running Lamp System (included with Security Group) — Fog lamps		P	P	P	P
TIRES — P205/70R15 BSW all-season — P215/60R17 BSW all-season touring — P215/55R18 BSW all-season performance	•		•	•	•

EXTERIOR FEATURES (CONT.)

	EXPRESS	MAINSTREET	HEAT	UPTOWN	RUSH
WHEELS — Steel wheel, 15" x 6.0" with Silver painted wheel covers — 17" x 6.5" Silver painted cast aluminum — 17" x 6.5" 5-spoke chrome-plated aluminum (Authentic Dodge Accessory) — 18" x 7.0" polished cast aluminum — 18" x 7.0" chrome-clad cast aluminum	•				
		•		•	
	0	0			
			•		
					•

INTERIOR FEATURES

	EXPRESS	MAINSTREET	HEAT	UPTOWN	RUSH
AUTOMATIC TEMPERATURE CONTROL (ATC) includes Chill Zone beverage storage bin				•	•
INTERIOR ACCENTS — Satin Silver instrument panel and shifter trim (included with Leather Interior Group) — Color-keyed instrument panel and shifter trim	•	•		•	P
			•		•
LIGHTING — Cargo compartment — Map/dome reading lamp and removable, rechargeable LED flashlight/cargo lamp	•				
		•	•	•	•
SPOILER, LIFTGATE — Accent color — SRT inspired spoiler	•	•	•	•	•
					•
STEERING WHEEL — Leather-wrapped with audio controls (included with Premium Sound Group)			P	•	•
SUNROOF — Power with express open/close		0	0	0	0

SEATING AND TRIM

	EXPRESS	MAINSTREET	HEAT	UPTOWN	RUSH
FABRIC — Premium Cloth — Premium Cloth with color-keyed inserts (included with Sport Appearance Group) — Leather-trimmed, heated (included with Leather Interior Group) — Power 6-way driver seat	•	•			
			•		•
				•	P
				•	•
FRONT — Front-passenger forward fold-flat seat — Heated front seats (included with Driver Convenience Group) — Manual driver seat height adjuster		•	•	•	•
		P	P	•	•
		•	•		

SEATING AND TRIM (CONT.)	FWD				
	EXPRESS	MAINSTREET	HEAT	UPTOWN	RUSH

REAR — 60/40 split fold-flat	•				
— 60/40 split fold-flat with recline		•	•	•	•

UCONNECT™ MULTIMEDIA

RADIOS — Media Center 130 CD/MP3 radio — With audio jack input for mobile devices	•	•	•	•	
— Media Center 430 AM/FM/CD/DVD ⁽³⁾ radio — With 6.5" touch screen display, 30 GB hard drive with 6,700 song capacity, audio jack input for mobile devices (included in Premium Sound Group).		0	P	0	•
— Media Center 730N AM/FM/CD/DVD ⁽³⁾ radio — With GPS Navigation, 6.5" touch-screen display, 30 GB hard drive with 4,250 song capacity, audio jack input for mobile devices, SIRIUS® Satellite Radio ⁽⁴⁾ with 1-year subscription, SIRIUS Traffic.™ (N.A. Hawaii, Puerto Rico, the U.S. Virgin Islands and Mexico)				0	0

SPEAKER SYSTEMS — 4 speakers	•	•	•		
— MusicGate Power™ includes 9 premium Boston Acoustics® speakers with subwoofer, swing-down liftgate speakers with 368-watt total output (included with Premium Sound Group)			P	•	•

SAFETY AND SECURITY

AIR BAGS ⁽¹⁾ — Supplemental front-seat side mounted (included with Security Group)		P	P	P	P
SECURITY ALARM — Included with Security Group		P	P	P	P

PACKAGES

DRIVER CONVENIENCE GROUP — Includes heated front seat, Electronic Vehicle Information Center (EVIC) with compass, ambient temperature, trip computer, and other customer programmable features, HomeLink® Universal Transceiver/Garage Door Opener and Tire Pressure Monitoring Display		0	0	0	0
LEATHER INTERIOR GROUP — Includes leather-trim, heated front bucket seats, Satin Silver instrument panel and shifter bezels, manual driver lumbar adjust				•	0

PACKAGES (CONT.)

PACKAGES (CONT.)	FWD				
	EXPRESS	MAINSTREET	HEAT	UPTOWN	RUSH

PREMIUM SOUND GROUP — Includes MusicGate Power with Boston Acoustics premium speakers, swing-down liftgate speakers, subwoofer, (Media Center 430 CD/DVD/HDD Radio on Heat model) and leather-wrapped steering wheel with audio controls			0	•	•
SECURITY GROUP — Includes Electronic Stability Control, Hill Start Assist (requires manual transmission) supplemental front-seat side mounted air bags, remote start system (requires CVT2 automatic transaxle), security alarm and daytime running lamps; engine oil cooler, trailer tow wiring harness		0	0	0	0
17" ALUMINUM WHEEL GROUP — P215/60R17 BSW all season touring tires, 17" painted Silver aluminum wheels, Touring-tuned suspension	0				
SMOKER'S GROUP — Includes cigar lighter and removable ashtray	0	0	0	0	0
SPORT APPEARANCE GROUP — Includes cloth seats with color-keyed inserts, color-keyed instrument panel and center stack			•		•

• = Included. P = Available within package noted. 0 = Optional.

⁽¹⁾The Advanced Front Air Bags in this vehicle are certified to the new federal regulations for advanced air bags. Children 12 years old and younger should always ride buckled up in a rear seat. Infants in rear-facing child restraints should never ride in the front seat of a vehicle with a passenger front air bag. All occupants should always wear their seat belts properly. ⁽²⁾No system, no matter how sophisticated, can repeal the laws of physics or overcome careless driving actions. Performance is limited by available traction, which snow, ice and other conditions can affect. When the ESC warning lamp in the speedometer flashes, the driver needs to use less throttle and adapt speed and driving behavior to prevailing road conditions. Always drive carefully, consistent with conditions. Always wear your seat belt. ⁽³⁾In-dash DVD capability not available in all states. See your dealer for details. ⁽⁴⁾SIRIUS service available only in contiguous United States and D.C. Service available in Canada; see siriuscanada.ca. Subscription required after 12-month subscription included with vehicle purchase. Subscriptions are governed by SIRIUS Terms & Conditions available at sirius.com. SIRIUS, XM and all related marks and logos are trademarks of SIRIUS XM Radio Inc. and its subsidiaries.

About this catalog: Since the time of printing, some of the information you'll find in this catalog may have been updated. Ask your dealer for details. Some of the equipment shown or described throughout this catalog is available at extra cost. Specifications, descriptions, illustrative materials, and all competitive comparisons contained herein are as accurate as known at the time this publication was approved for printing. Chrysler Group LLC reserves the right to discontinue models at any time or to change specifications without notice or without incurring obligation. All options are required in combination with other options. For the price of the model with the equipment you desire, or verification of specifications contained here, see your Dodge dealer. Dodge, Chill Zone, Mopar, MusicGate Power and Sentry Key are registered trademarks and Uconnect is a trademark of Chrysler Group LLC. Insurance is underwritten by member companies of American International Group, Inc. Bluetooth is a registered trademark of Bluetooth SIG, Inc. Boston Acoustics and the Boston logo are registered trademarks of Boston Acoustics, Inc. HomeLink is a registered trademark owned by Johnson Controls, Inc. iPod is a registered trademark of Apple, Inc. All rights reserved. SmartWay is a service mark of the U.S. Environmental Protection Agency.



5-YEAR/100,000-MILE POWERTRAIN WARRANTY Transferable. See dealer for a copy of limited warranty. Includes towing to an authorized dealer.

3/36 BASIC LIMITED WARRANTY Dodge vehicles are covered by a Chrysler Group LLC 3-year or 36,000-mile Basic Limited Warranty. See your dealer for a copy of this limited warranty. Excludes normal maintenance and wear items.

Dodge Auto Insurance⁽¹⁾ The only insurance guaranteed to repair your vehicle using Authentic Dodge Collision Repair Parts by Mopar for as long as you own your vehicle — at rates that are tough to beat. Plus, get up to \$100⁽²⁾ in deductible waived when repairs are done at a Dodge dealership. For a quote, visit cf.com/insurance or call (877) 244-1531.



Chrysler has a vested interest in your satisfaction with your new vehicle. Chrysler Service Contracts offer extended service plans to help ensure that you'll enjoy your vehicle for many years down the road...for just pennies a day. For more information, see your Dodge dealer, call (800) 442-2666 or visit dodge.com/csc.



Enhance your Dodge Caliber with Authentic Dodge Accessories by Mopar. They're designed specifically for your vehicle, for exceptional fit, finish and performance. Visit your dealership or mopar.com.



With Uconnect, you're always connected — to people, places, music, movies, and the Internet.



SIRIUS Satellite Radio delivers over 130 channels, including 100% commercial-free music, sports, news, talk, entertainment, traffic and weather. Factory-installed SIRIUS Satellite Radio includes a one-year subscription. For more information, go to sirius.com.



Certain Caliber models have earned the highly esteemed SmartWay® certification. The SmartWay certification mark identifies each vehicle's air pollution and greenhouse gas performance.⁽³⁾ Lower emissions earn a higher score, and those vehicles with the best scores are eligible for the SmartWay designation.



The Dodge Goods catalog is a handpicked collection of items bearing the powerful Dodge name — from Motorsports apparel and collectible die-cast models to the latest in work and ranch wear. It's all found at dodge.com/goods. Call 877-789-DODGE (3634) for a free catalog.



Honoring Those Who Serve. Chrysler Group LLC proudly supports the members of the U.S. Armed Forces and their families.

⁽¹⁾Insurance provided through 21st Century Insurance and Financial Services, Wilmington, DE, managing general agent for the personal lines insurers of American International Companies. ⁽²⁾Coverage features and availability may vary by state. ⁽³⁾Based on 2009 EPA SmartWay designation. Please visit epa.gov/greenvehicles for a list of the specific vehicle types that meet the SmartWay standards. SmartWay is a registered service mark of the U.S. Environmental Protection Agency.



machaiكدج.com