

LKQ SPECIALTY PRODUCTS GROUP

# RECREATION PARTS & ACCESSORIES

TWENTY  
**18**  
CATALOG



**HUSKY**  
TOWING PRODUCTS

SUSPENSIONPRO

**POWERHOUSE**

**Arcon**



VENTMATE

**Aqua,Pro**

**DURAFLEX**  
SANITATION

**Tote-N-Stor**

**Faulkner**



QUALITY • DURABILITY • AFFORDABILITY





US Sales

**1.800.521.9999**

Español

**1.800.521.9910**

International Sales

**570.603.2005**

Canadian Sales

**1.800.257.7190**

New Business Development

**1.800.257.7190**

Ext **6235**



## TABLE OF CONTENTS

AquaPro® .....	97 - 100
Arcon® .....	81 - 92
Duraflex® .....	101 - 104
Faulkner® .....	109 - 118
Husky Towing® .....	1 - 72
Powerhouse® .....	75 - 80
Suspension Pro® .....	73 - 74
Tote N Stor® .....	105 - 108
Ventmate® .....	93 - 96

**Warranty and Tech Support: 877-544-4449**  
**Opt 2 for next available agent**

## PRODUCT WARRANTY

**AQUA PRO** Limited 90 Day Warranty

### ARCON:

Fluorescent Bulbs ..... Limited 1 Year  
 Fixtures ..... Limited 1 Year  
 LED Bulbs ..... 5 Year Warranty  
 Heater..... 1 Year Residential, 6mo Commercial

**CP PRODUCTS** ..... Limited 90 Day

**DURAFLEX** ..... Limited 90 Day

### FAULKNER

Bikes ..... (Pedal) 1 Year (E-Bike) 1 Year Battery & Motor  
 Furniture..... Limited 1 Year Warranty  
 Furniture Accessories ..... Limited 90 Day  
 Grill ..... 1 Year Warranty  
 Mats..... 1 Year Warranty

### HUSKY

Brake Assembly ..... 1 Year Warranty  
 Brake Controls All Models ..... Limited Lifetime  
 Cargo Carriers ..... 1 Year Warranty  
 Electric and Manual Jacks..... 1 Year Warranty  
 Electric Super Brute Jacks..... 2 Year Warranty  
 OEM Fifth Wheel Hitches..... 10 Year Warranty  
 OEM Fifth Wheel Adapters ..... 10 Year Warranty  
 Fifth Wheel Hitches 16K S & 16KW .....5 Year Limited  
 Fifth Wheel Hitch 26KW ..... 10 Year Limited  
 16K Glider .....5 Year Limited  
 26K Glider ..... 10 Year Limited  
 Friction Sway Controls ..... Limited Lifetime  
 Gooseneck hitches.....5 Year Limited  
 Roller.....5 Year Limited  
 Weight Distribution Hitches ..... Limited Lifetime  
 Husky Receiver Hitches ..... Limited Lifetime

### POWERHOUSE GENERATORS

PH2200i ..... 1 Year Residential, 6mo Commercial  
 PH2400Pi ..... 1 Year Residential, 6mo Commercial  
 PH3300i ..... 1 Year Residential, 6mo Commercial

**SUSPENSION PRO JACKS** ..... 1 Year Warranty

### TOTE-N-STOR TANKS

4 Wheel ..... 3 Year Warranty  
 2 Wheel ..... 1 Year Warranty

**VENTMATE**..... 1 Year or Limited Lifetime Warranty  
 May vary on model

# HUSKY

TOWING PRODUCTS



LEADING TECHNOLOGY TOWING PRODUCTS



1 RUGGED IS STANDARD EQUIPMENT.™



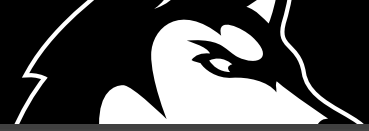




**QUICK INDEX:**

5th Wheel Hitches & Adapters (OEM).....	3 - 4
5th Wheel Hitches & Kits.....	5 - 6
5th Wheel Base Rail Kit.....	7 - 8
5th Wheel Hitch Parts.....	9 - 14
Ball Mounts.....	22 - 23
Brake Controls.....	37 - 40
Brake & Axle Parts.....	41 - 54
Brute Super Foot.....	30
Carriers & Cargo Management.....	56
Couplers & Locks.....	26
Displays.....	57 - 58
Dust Caps & Grease Seals.....	55
Gooseneck Platforms & Accessories.....	28
Hitch Box Adapters & Accessories.....	27
Hitch Shanks.....	25
Manual Jacks.....	29
Multiple Tow Ball Mounts.....	23
Pintle Combo Kits.....	23
Receiver Hitches.....	59 - 72
Scissor Jacks.....	30
Stabilizers & Jacks.....	30
Super Brute & Brute Power Jacks.....	29
Sway Controls.....	16
Switch Hitch.....	24
Tow Bar.....	27
Tow Lights.....	27
Trailer Hitch Balls.....	21
Weight Distribution & Sway Control.....	15 - 20
Wheel Chocks.....	30
Wiring & Accessories.....	31 - 36

[huskytow.com](http://huskytow.com)



# 5TH WHEEL HITCHES FOR OEM PUCK SYSTEMS



Use with Ford® trucks

### FORD® OEM 16KS

Fifth wheel trailer hitch; KS series; use with factory Ford 5th wheel/gooseneck hitch prep package; 16,000 pound weight carrying / 4,000 tongue capacity. Dual pivot head. Pop out safety indicator for a safe hookup. Self-locking handle. Slide bar jaw. Meets SAE J2638 5th wheel standards. Powder-coated finish with zinc plated fasteners.

81-0831 33018K Ford OEM 16KS



RAM

Use with RAM® trucks

### RAM® OEM 16KS

Fifth wheel trailer hitch; KS series; use with factory Ram 5th wheel/gooseneck towing prep package; 16,000 pound weight carrying / 4,000 tongue capacity. Dual pivot head. Pop out safety indicator for a safe hookup. Self-locking handle. Slide bar jaw. Meets SAE J2638 5th wheel standards. Powder-coated finish with zinc plated fasteners.

81-0833 33012K RAM OEM 16KS



Use with Ford® trucks

### FORD® OEM 16KW

Fifth wheel trailer hitch; KW series; use with factory Ford 5th wheel/gooseneck hitch prep package; 16,000 pound weight carrying / 4,000 tongue capacity. Safety indicator for a safe hookup. Self-locking and release handle. Patented anti-walk wraparound jaw. Fully articulating head. Improved crossmember with castle nut. Meets SAE J2638 5th wheel standards. Powder-coated finish with zinc plated fasteners.

81-0832 33013K Ford OEM 16KW



RAM

Use with RAM® trucks

### RAM® OEM 16KW

Fifth wheel trailer hitch; KW series; use with factory Ram 5th wheel/gooseneck towing prep package; 16,000 pound weight carrying / 4,000 tongue capacity. Safety indicator for a safe hookup. Self-locking and release handle. Patented anti-walk wraparound jaw. Fully articulating head. Improved crossmember with castle nut. Meets SAE J2638 5th wheel standards. Powder-coated finish with zinc plated fasteners.

81-0834 33011K RAM OEM 16KW



Use with Ford® trucks

### FORD® OEM 26KW

Fifth wheel trailer hitch; KW series; use with factory Ford 5th wheel/gooseneck hitch prep package; 26,000 pound weight carrying / 6,500 tongue capacity. Safety indicator for a safe hookup. Self-locking and release handle. Patented anti-walk wraparound jaw. Fully articulating head. Improved crossmember with castle nut. Meets SAE J2638 5th wheel standards. Powder-coated finish with zinc plated fasteners.

81-0835 33017K Ford OEM 26KW



RAM

Use with RAM® trucks

### RAM® OEM 26KW

Fifth wheel trailer hitch; KW series; use with factory Ram 5th wheel/gooseneck towing prep package; 26,000 pound weight carrying / 6,500 tongue capacity. Safety indicator for a safe hookup. Self-locking and release handle. Patented anti-walk wraparound jaw. Fully articulating head. Improved crossmember with castle nut. Meets SAE J2638 5th wheel standards. Powder-coated finish with zinc plated fasteners.

81-0836 33021K RAM OEM 26KS





# HUSKY® OEM 5TH WHEEL HITCH ADAPTERS UPRIGHTS & GOOSENECK BALLS



**NEW**



Use with GMC® and Chevrolet® trucks

## GM®/CHEVROLET® OEM 5TH WHEEL PUCK ADAPTER

Fifth wheel trailer rail adapter; use with factory GM/Chevrolet 5th wheel/gooseneck hitch prep package; 16,000 pound weight carrying / 4,000 tongue capacity. Meets SAE J2638 5th wheel standards. Powder-coated finish with zinc plated fasteners. For use with most industry 16K 5th wheel hitches.

92-0051 33056 GM Puck Adapter



Use with Ford® trucks

## FORD® OEM 5TH WHEEL PUCK ADAPTER

Fifth wheel trailer rail adapter; use with factory Ford 5th wheel/gooseneck hitch prep package; 16,000 pound weight carrying / 4,000 tongue capacity. Meets SAE J2638 5th wheel standards. Powder-coated finish with zinc plated fasteners. For use with most industry 16K 5th wheel hitches.

71-5037 33006 Ford Puck Adapter  
71-8349 33117 Ford Puck Adapter for Glider & Roller Hitches



**RAM**

Use with RAM® trucks

## RAM® OEM 5TH WHEEL PUCK ADAPTER

Fifth wheel trailer rail adapter; use with factory Ram 5th wheel/gooseneck towing prep package; 24,000 pound weight carrying / 6,000 tongue capacity. Meets SAE J2638 5th wheel standards. Powder-coated finish with zinc plated fasteners. For use with most industry 16K 5th wheel hitches.

71-5038 33009 RAM Puck Adapter



Use with Ford® or RAM® trucks

## FORD & RAM OEM 30K GOOSENECK TRAILER BALL

Gooseneck Trailer Hitch Ball; Use With Ford and Ram OEM Towing Package; 2-5/16" Ball Fits Most Gooseneck Hitches. Easy Installation. 30,000lb. Towing Capacity / 7,500lb. Tongue Capacity. Meets SAE J2638 Gooseneck Standards. Chrome-plated. Made from 100% Heat Treated Alloy Steel for Superior Strength.

71-5177 33001 Ford/RAM Ball



Use with Ford® trucks

## FORD® OEM 5TH WHEEL UPRIGHTS FOR PUCK SYSTEM

Fifth wheel uprights; use with factory Ford 5th wheel/gooseneck towing prep package. Powder-coated finish with zinc plated fasteners. For use with Husky 16K 5th wheel hitches.

41-0105 32997 Ford OEM Uprights



**RAM**

Use with RAM® trucks

## RAM® OEM 5TH WHEEL UPRIGHTS FOR PUCK SYSTEM

Fifth wheel uprights; use with factory Ram 5th wheel/gooseneck towing prep package. Powder-coated finish with zinc plated fasteners. For use with Husky 16K 5th wheel hitches.

41-0103 33000 RAM OEM Uprights



**16KS 5TH WHEEL HITCH & 16K UPRIGHTS**

Fifth wheel trailer hitch; KS series; 16,000 pound weight carrying / 4,000 tongue capacity. Dual pivot head. Pop out safety indicator for safe hookup. Self-locking handle. Slide bar jaw. 16K uprights with 2 positions for fore and aft. Meets SAE J2638 5th wheel standards. Powder-coated finish with zinc plated fasteners. Requires 5th wheel trailer hitch mounting kit.

14-1715 31664K 16KS & 16K Uprights



**16KS 5TH WHEEL HITCH & 16K GLIDER**

Fifth wheel trailer hitch; KS series; 16,000 pound weight carrying / 4,000 tongue capacity. Dual pivot head. Pop out safety indicator for safe hookup. Self-locking handle. Slide bar jaw. 16K glider with anti-bind mechanism; meets SAE J2638 5th wheel standards. Powder-coated finish with zinc plated fasteners. Requires 5th wheel trailer hitch mounting kit.

14-1717 31665K 16KS & 16K Glider



**16KS 5TH WHEEL HITCH & 16K ROLLER**

Fifth wheel trailer hitch; KS series; 16,000 pound weight carrying / 4,000 tongue capacity. Dual pivot head. Pop out safety indicator for safe hookup. Self-locking handle. Slide bar jaw. 16K roller; meets SAE J2638 5th wheel standards. Powder-coated finish with zinc plated fasteners. Requires 5th wheel trailer hitch mounting kit.

14-1716 32354K 16KS & 16K Roller



**16KW 5TH WHEEL HITCH & 16K UPRIGHTS**

Fifth wheel trailer hitch; KW series; 16,000 pound weight carrying / 4,000 tongue capacity. Safety indicator for safe hookup. Self-locking & release handle. Patented anti-walk wraparound jaw. Fully articulating head. Improved crossmember with castle nut. 16K uprights with 2 positions for fore and aft. Meets SAE J2638 5th wheel standards. Powder-coated finish with zinc plated fasteners. Requires 5th wheel trailer hitch mounting kit.

14-1718 31666K 16KW & 16K Uprights



**16KW 5TH WHEEL HITCH & 16K GLIDER**

Fifth wheel trailer hitch; KW series; 16,000 pound weight carrying / 4,000 tongue capacity. Safety indicator for safe hookup. Self-locking & release handle. Patented anti-walk wraparound jaw. Fully articulating head. Improved crossmember with castle nut. 16K glider with anti-bind mechanism; meets SAE J2638 5th wheel standards. Powder-coated finish with zinc plated fasteners. Requires 5th wheel trailer hitch mounting kit.

14-1719 31667K 16KW & 16K Glider



**16KW 5TH WHEEL HITCH & 16K ROLLER**

Fifth wheel trailer hitch; KW series; 16,000 pound weight carrying / 4,000 tongue capacity. Safety indicator for safe hookup. Self-locking & release handle. Patented anti-walk wraparound jaw. Fully articulating head. Improved crossmember with castle nut. 16K roller. Meets SAE J2638 5th wheel standards. Powder-coated finish with zinc plated fasteners. Requires 5th wheel trailer hitch mounting kit.

14-1720 32392K 16KW & 16K Roller

**CUSTOM & UNIVERSAL INSTALL KITS**

Please see Page X-X or HuskyTow.com for our entire line of Custom and Universal Install Kits for multiple applications including aluminum bed trucks.



**BASE RAIL SPACER KIT**

Husky Replacement Base Rail Spacer Kit for Husky Fifth wheel base rails.

45-0165 32254 Base Rail Spacer Kit



**CLIP-ON NUT SERVICE KIT**

Clip-on 5/8" nut service kit for Husky 4 bolt 5th wheel installation kit. Simplifies tight work conditions.

14-1257 32767 Clip On Nut Service Kit







## 26KW 5TH WHEEL HITCH & 26K GLIDER

Fifth wheel trailer hitch; kw series; 26,000 pound weight carrying / 6,500 tongue capacity. Safety indicator for safe hookup. Self-locking & release handle. Patented anti-walk wraparound jaw. Fully articulating head. Improved crossmember with castle nut. 26K glider with anti-bind mechanism; meets SAE J2638 5th wheel standards. Powder-coated finish with zinc plated fasteners. Requires 5th wheel trailer hitch mounting kit.

14-1734 31690K 26KW & 26K Glider



## 26KW 5TH WHEEL HITCH & 26K UPRIGHTS

Fifth wheel trailer hitch; kw series; 26,000 pound weight carrying / 6,500 tongue capacity. Safety indicator for safe hookup. Self-locking & release handle. Patented anti-walk wraparound jaw. Fully articulating head. Improved crossmember with castle nut. 26K uprights with 3 positions-fore and aft. Meets SAE J2638 5th wheel standards. Powder-coated finish with zinc plated fasteners. Requires 5th wheel trailer hitch mounting kit.

14-1733 31668K 26KW & 26K Uprights



## 16K 5TH WHEEL HITCH ROLLER

Equip short bed trucks for towing fifth wheel trailers weighing up to 16,000 pound weight carrying / 4,000 tongue capacity. Provides 9" of travel needed truck-to-trailer clearance for low speed maneuvers. Installs with just four pins and clips. Lift adjustment lets you minimize the distance between the wheels and the rails for smooth operation. Includes two handles for versatility: one for the Husky 16KS, and one for the 16KW. Works in the base rail slots spaced 20-5/8" apart (base rails not included). Use center bolt kit 32059 for proper installation (not included)

15-1449 32220 16K Roller  
45-0080 32059 Center Bolt Kit



## 16K 5TH WHEEL HITCH GLIDER

Equip short bed trucks for towing fifth wheel trailers weighing up to 16,000 pound weight carrying / 4,000 tongue capacity. Provides 10" of travel needed truck-to-trailer clearance for low speed maneuvers. Installs with just four pins and clips. Moves on high-tech composite glide rails for quiet operation. Rails are UV and corrosion resistant, and virtually maintenance free. Works in the base rail slots spaced 20-5/8" apart (base rails not included). Use center bolt kit 32059 for proper installation (included).

14-1327 31196 16K Glider



## 26K 5TH WHEEL HITCH GLIDER

Equip short bed trucks for towing fifth wheel trailers weighing up to 26,000 pound weight carrying / 6,500 tongue capacity. Provides 10" of travel needed truck-to-trailer clearance for low speed maneuvers. Installs with just four pins and clips. Moves on high-tech composite glide rails for quiet operation. Rails are UV and corrosion resistant, and virtually maintenance free. Works in the base rail slots spaced 20-5/8" apart (base rails not included). Use center bolt kit 32059 for proper installation (included).

14-1144 32042 26K Glider



## BUILD YOUR OWN HITCH

Build your own 16KS, 16KW or 26KW Fifth Wheel hitch with these components. The Roller & Glider positions the Husky fifth wheel hitch to your short bed truck providing truck-to-trailer clearance for low speed maneuvers. Uprights securely support the hitch head and attach to the base rails on your long bed truck. 5th Wheel Trailer Hitch Mounting Kits sold separately.

14-1086	31313	16KS Head & Crossmember
14-1714	31326Kit	16KW Head & Crossmember
14-1712	31318Kit	26KW Head & Crossmember
14-1275	31325	26K Uprights
14-1090	31314	16K Uprights
14-1327	31196	16K Glider
14-1144	32042	26K Glider
15-1449	32220	16K Roller
14-1249	30686	Universal Base Rail
Install Kit* (see Pages 7 - 8 or HuskyTow.com)		



Year	Make	Pickup Model	Bed Length	Attachment Type	NTP-Stag #	Mfg. #
<b>CUSTOM BRACKET KITS, REQUIRED FOR USE WITH 45-0101 4-BOLT OR 14-1249 10-BOLT BASE RAIL</b>						
2007-2015	Chevy/GMC	Silverado & Sierra 1500 New Body	6-1/2' & 8'	Custom brackets, drilling required	14-1318	31396
2014-2015	Chevy/GMC	Silverado & Sierra 1500 New Body (Long Bed ONLY),(Except Double & Crew Cabs)	8'	Custom brackets, drilling required	14-1318	31396
2007-2018	Chevy/GMC	Silverado & Sierra 1500 New Body	5-1/2' & 6-1/2' & 8'	Custom brackets, drilling required	14-1456	32831
1999-2010	Chevy/GMC	Silverado & Sierra, All (includes up to 07 Classic) plus 07-09 2500HD & 3500	6-1/2' & 8'	Custom brackets, drilling required	14-1326	31415
2001-2010	Chevy/GMC	2500/3500 With or Without Integrated Brake Control Plus 99-07 Classic 1500	6-1/2' & 8'	Custom brackets, drilling required	14-1035	31397
2011-2018	Chevy/GMC	Pickup 2500/3500	6-1/2' & 8'	Custom brackets, no drill (frame) Bolt-on	14-1041	31852
2011-2018	Chevy/GMC	Pickup 2500/3500	6-1/2' & 8'	Custom brackets, drilling required Bolt-on	14-1042	31853
1988-1998	Chevy/GMC	C/K Pickup 1500, 88-99 C/K Pickup 2500/3500	6-1/2' & 8'	Custom brackets, drilling required	14-1034	31402
1973-1987	Chevy/GMC	Pickup	6-1/2' & 8'	Universal bracket kit, drilling required	14-1186	31563
2007-2008	Dodge/Ram	Ram Pickup 1500	6-1/2' & 8'	Custom brackets, drilling required	14-1033	31565
2007-2008	Dodge/Ram	Ram Pickup 1500	6-1/2' & 8'	Custom brackets, no drill clamp-on	14-1142	31413
2009-2017	Dodge/Ram	Ram Pickup 1500, all models (Except '13-'16 Factory Air Suspension)	5-1/2' & 6-1/2' & 8'	Custom brackets, no drill (frame) clamp-on	14-1040	31566
2002-2008	Dodge/Ram	Ram Pickup 1500, plus 06 1500 Mega Cab	6-1/2' & 8'	Custom brackets, drilling required	14-1033	31565
2003-2009	Dodge/Ram	Ram Pickup 2500, 3500 (except 3500HD 4WD)	6-1/2' & 8'	Custom brackets, drilling required	14-1033	31565
2003-2012	Dodge/Ram	Ram Pickup 2500, 3500	6-1/2' & 8'	Custom brackets, no drill (frame) clamp-on	14-1142	31413
2013 ONLY	Dodge/Ram	Ram Pickup 2500 ONLY, all models	6-1/2' & 8'	Custom brackets, drilling required	14-1043	32084
2014-2017	Dodge/Ram	Ram Pickup 2500 ONLY, all models	6-1/2' & 8'	Custom brackets, drilling required	14-1048	32556
2013-2017	Dodge/Ram	Ram Pickup 3500 ONLY, all models (Except '14-'16 Factory Air Suspension)	6-1/2' & 8'	Custom brackets, no drill (frame) Bolt-on	14-1044	32221
2002-2006	Dodge/Ram	Ram Pickup 1500 (Except '06 1500 non-Mega Cab)	6-1/2' & 8'	Custom brackets, no drill, clamp-on	14-1142	31413
1994-2002	Dodge/Ram	Ram PU, All (except 2002 1500)	6-1/2' & 8'	Custom brackets, drilling required	14-1036	31404
1993-Older	Dodge/Ram	Ram Pickup	6-1/2' & 8'	Universal bracket kit, drilling required	14-1186	31563
2004-2014	Ford	F-150 (Clamp On)	5-1/2' & 6-1/2' & 8'	Custom brackets, no drill, clamp-on	14-1031	31564
2015-2016	Ford	F-150 (New Aluminum Body)	5-1/2' & 6-1/2' & 8'	Custom brackets, drilling required	14-1299	32858
2005-2016	Ford	F-250 (Except '11-'15 Diesel Pick-Ups)	6-1/2' & 8'	Custom brackets, drilling required	14-1141	31412
2005-2016	Ford	F-350 plus 08-09 F-450 Super Duty (Except '11-'16 Diesel Pick-Ups)	6-1/2' & 8'	Custom brackets, drilling required	14-1141	31412
2017-2018	Ford	F-250/350/450 Super Duty	6-1/2' & 8'	Custom brackets, drilling required	71-5255	33094
2008-2016	Ford	F-250/350/450 Super Duty	6-1/2' & 8'	Custom brackets, drilling required	14-1029	31408
1999-2007	Ford	F-250/350 Super Duty	6-1/2' & 8'	Custom brackets, no drill (frame), bolt-on	14-1030	31407
1999-2004	Ford	F-250/350 Super Duty	6-1/2' & 8'	Four bolt drill. Top frame rail mounting	14-1037	31405
1999-2004	Ford	F-250/350 Super Duty	6-1/2' & 8'	Custom brackets, drilling required	14-1032	31406
1997-2004	Ford	F150 Heritage (old body)	6-1/2' & 8'	Custom brackets, drilling required	14-1453	31409
1998-Older	Ford	F250HD / F350, plus 96-Older F150 / 250	6-1/2' & 8'	Universal bracket kit, drilling required	14-1186	31563
2004-2015	Nissan	Titan King Cab plus 08-09 Titan Crew Cab Pickup	5-1/2' & 6-1/2' & 8'	Custom brackets, drilling required	14-1454	31395
2007-2017	Toyota	Tundra Pickup	5-1/2' & 6-1/2' & 8'	Custom brackets, drilling required	14-1038	31410
1999-2006	Toyota	Tundra Pickup	6-1/2' & 8'	Universal bracket kit, drilling required	14-1186	31563
-	-	Universal Style, for Older Full Size Pickups	6-1/2' & 8'	See <a href="http://www.huskytow.com">www.huskytow.com</a> for fits; drilling required	14-1186	31563





Year	Make	Pickup Model	Bed Length	Attachment Type	NTP-Stag #	Mfg.
<b>4 BOLT BASE RAIL ADAPTER BRACKET KITS. THESE KITS REQUIRE THE PURCHASE OF UNIVERSAL KIT 31563.</b>						
2009-2017	Dodge	Ram Pickup 1500 4-Bolt Adapter Kit	6-1/2' & 8'	Adapter brackets for 4-Bolt Kit; drilling required	14-1185	30665
2002-2008	Dodge	Ram Pickup Full Size 1500 (except Mega Cab)	6-1/2' & 8'	Adapter brackets for 4-Bolt Kit; drilling required	14-1169	30640
<b>4 BOLT BASE RAIL ADAPTER BRACKET KITS. THESE KITS REQUIRE THE PURCHASE OF UNIVERSAL KIT 31563.</b>						
2004-2013	Ford	F150 Kit 10-Bolt/4-Bolt	6-1/2' & 8'	Custom brackets for 4- & 10-Bolt Kit; drilling required	14-1168	30619
2002-2013	Dodge	Ram Pickup Full Size 2500 (except Mega Cab)	6-1/2' & 8'	Adapter brackets for 4-Bolt Kit; drilling required	14-1159	30607
2002-2012	Dodge	Ram Pickup Full Size 3500 (except Mega Cab)	6-1/2' & 8'	Adapter brackets for 4-Bolt Kit drilling required	14-1159	30607
1996-Older	Ford	F-150	6-1/2' & 8'	Adapter brackets for 4-Bolt Kit; drilling required	14-1159	30607
1997-Older	Ford	F-250/350	6-1/2' & 8'	Adapter brackets for 4-Bolt Kit; drilling required	14-1159	30607
1999-2016	Ford	F-250/350/450 Super Duty (minus chassis cab)	6-1/2' & 8'	Adapter brackets for 4-Bolt Kit; drilling required	14-1159	30607
<b>10 BOLT BASE RAIL ADAPTER BRACKET KITS. THESE KITS REQUIRE THE PURCHASE OF UNIVERSAL KIT 31622.</b>						
2002-2008	Dodge	1500 10-Bolt Kit	6-1/2' & 8'	Adapter bracket for 10-Bolt Kit; drilling required	14-1279	30562
2003-2012	Dodge	2500/3500 10-Bolt Kit	6-1/2' & 8'	Adapter bracket for 10-Bolt Kit; drilling required	14-1156	30582
2004-2013	Ford	F150 Kit 10-Bolt/4-Bolt	6-1/2' & 8'	Custom brackets for 4- & 10-Bolt Kit; drilling required	14-1168	30619
2007-2017	Toyota	Tundra 10-Bolt Tube Spacer Kit	5-1/2' & 6-1/2' & 8'	Spacer tubes for 10-Bolt Kit; drilling required	14-1158	30600
2000-2006	Toyota	Tundra 10-Bolt Tube Spacer Kit	6-1/2' & 8'	Spacer tubes for 10-Bolt Kit; drilling required	14-1157	30597
<b>ADAPTER BRACKET KIT. FITS BOTH 4 &amp; 10 BOLT BASE RAILS. REQUIRES THE PURCHASE OF UNIVERSAL KIT 31622 OR 31563.</b>						
2004-2014	Ford	F150 Kit 10-Bolt/4-Bolt	6-1/2' & 8'	Custom brackets for 4- & 10-Bolt Kit; drilling required	14-1168	30619



31405



31402



31852



31565



31404



31853

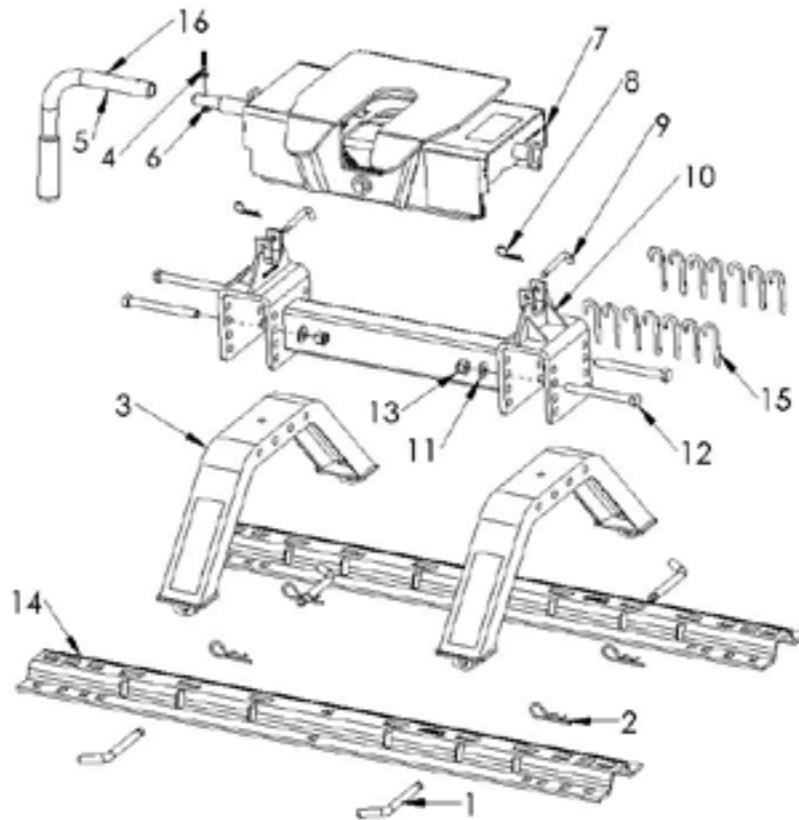


31564



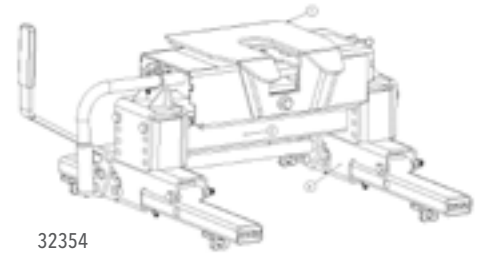
30686

Additional Brackets & Hardware	Qty/Hitch	NTP-Stag#	Mfg. #
Custom Bracket Kit for use with 31404 : Fits Dodge 02-05 Ram PU 1500, 03-05 2500, 6-1/2' & 8' Bed	1	14-1039	31414
Straight "L" Bracket Service Kit	1	14-1188	31385
Left & Right Angle Bracket Replacement Kit	1	14-1189	31401
Hardware Service Kit for 31563	1	45-0093	31418
Base Rail 1/4" Spacer Kit	1	71-3623	31419
Base Rail Tall Spacer Block kit, Bag/4	1	14-1191	31712
NEW! Clip-On Nut Service Kit	1	14-1257	32767
Wheel Bolt Kit Pkg/8	1	14-1190	31417
Center Bolt Kit to use with 20K, 25K, 26K Fifth Wheel Hitches & Rollers (Black Series Only)	1	46-0037	053362
Center Bolt Kit to use both Black & Silver Series 5th Wheel Hitches & Rollers	1	45-0080	32059
Replacement Spacer Tube Kit for the 31622 Kit (Used on 02-08 1500 Dodge PU, 2003-2010 2500/3500 Dodge PU, 6-1/2' & 8' Bed)	1	14-1155	30575
32221 Dodge Ram 3500 U-Bolt Service Kit	1	14-1047	32222
32221 Dodge Ram 3500 Hardware Service Kit (Spacer's-32224 & U-Bolts-32222 NOT INCLUDED)	1	14-1045	32223
32221 Dodge Ram 3500 Spacer Service Kit	1	14-1046	32224



31664

16K S Head & Crossmember W/ Uprights (Long Bed)



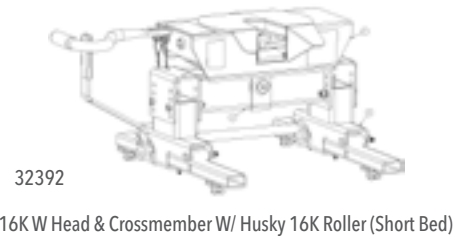
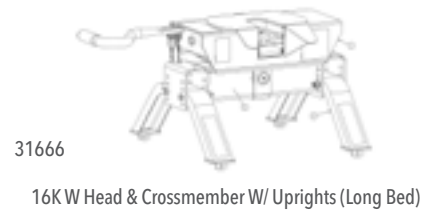
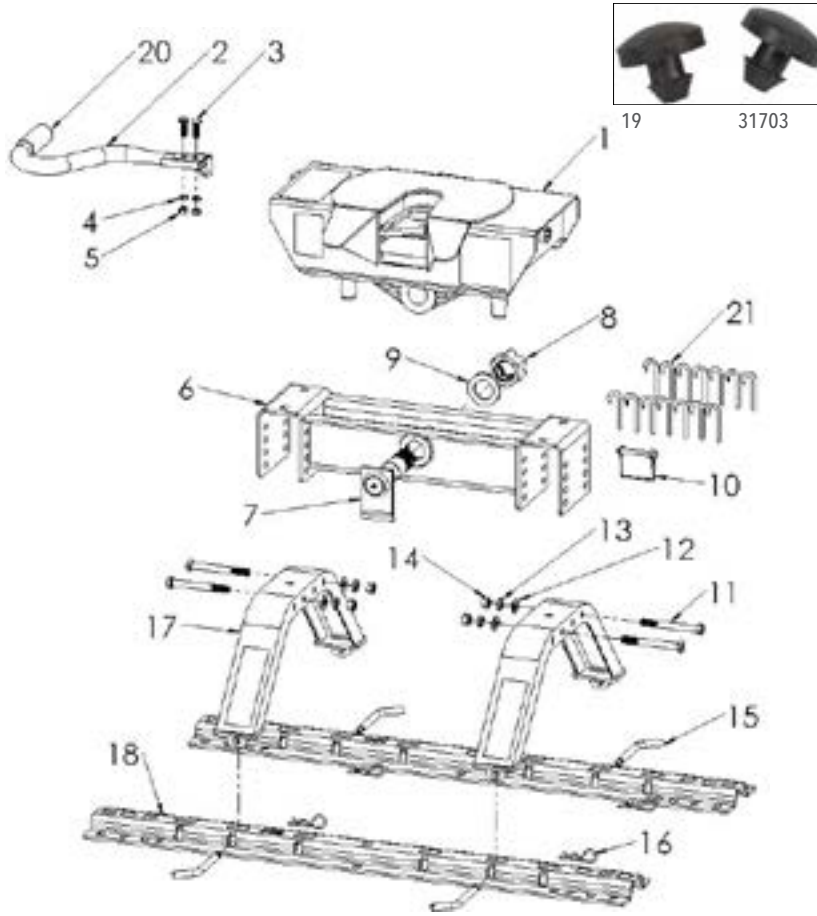
32354

16K S Head & Crossmember W/ Husky 16K Roller (Short Bed)

NO.	DESCRIPTIONS	31664 QTY.	32354 QTY.
1	16K S HEAD	1	1
2	CROSSMEMBER	1	1
3	UPRIGHTS (PAIR)	1	
4	HUSKY 16K ROLLER		1

NO.	DESCRIPTION	31313 QTY	31314 QTY	31452 QTY	31453 QTY	31454 QTY	31455 QTY	31456 QTY	31458 QTY	32043 QTY
1	PIN, 1/2" BASE RAIL	4	-	-	-	-	4	-	-	-
2	PIN, 1/2" HAIR	4	-	-	-	-	4	-	-	-
3	UPRIGHT	2	2	-	-	-	-	-	-	-
4	HEX HEAD BOLT, 1/4-20 UNC X 1.375 LG	1	-	-	1	1	-	-	-	-
5	HANDLE	1	-	-	1	1	-	-	-	-
6	NUT, NYLON LOCK, 1/4-20 UNC	1	-	-	1	1	-	-	-	-
7	16K S 5TH WHEEL HEAD ASSEMBLY	1	-	-	1	-	-	-	-	-
8	PIN, 3/8" HAIR	2	-	-	2	-	2	2	-	-
9	PIN, 3/8" CLEVIS	2	-	-	2	-	2	2	-	-
10	CROSS MEMBER	1	-	1	-	-	-	-	-	-
11	1/2" FLAT WASHER	4	-	4	-	-	4	-	4	-
12	1/2-13 UNC X 5 LONG HEX BOLT	4	-	4	-	-	4	-	4	-
13	1/2-13 UNC NYLOCK HEX NUT	4	-	4	-	-	4	-	4	-
14	BASE RAIL FOR 5TH WHEEL (NOT INCLUDED)	NA	NA	NA	NA	NA	NA	NA	NA	NA
15	SHIM KIT	-	14	-	-	-	-	-	-	14
16	RUBBER GRIP	1	-	-	-	-	-	-	-	-
17	INSTRUCTIONS (NOT SHOWN)	1	1	-	-	-	-	-	-	1

- 31313 16K S HEAD AND CROSS MEMBER PACKAGE
- 31314 2 UPRIGHTS PACKAGE
- 31452 CROSS MEMBER PACKAGE
- 31453 16K S HEAD AND HANDLE PACKAGE
- 31454 HANDLE KIT
- 31455 16K S COMPLETE HARDWARE KIT
- 31456 16K S HITCH HEAD RETAINING PINS
- 31458 CROSS MEMBER HARDWARE KIT
- 32043 SHIM KIT



NO.	DESCRIPTIONS	31666 QTY.	31667 QTY.	32392 QTY.
1	16K W HEAD	1	1	1
2	CROSSMEMBER	1	1	1
3	UPRIGHTS (PAIR)	1		
4	HUSKY 16-10 GLIDER		1	
5	HUSKY 16K ROLLER			1

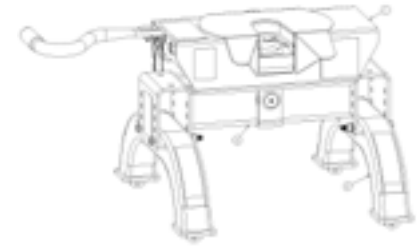
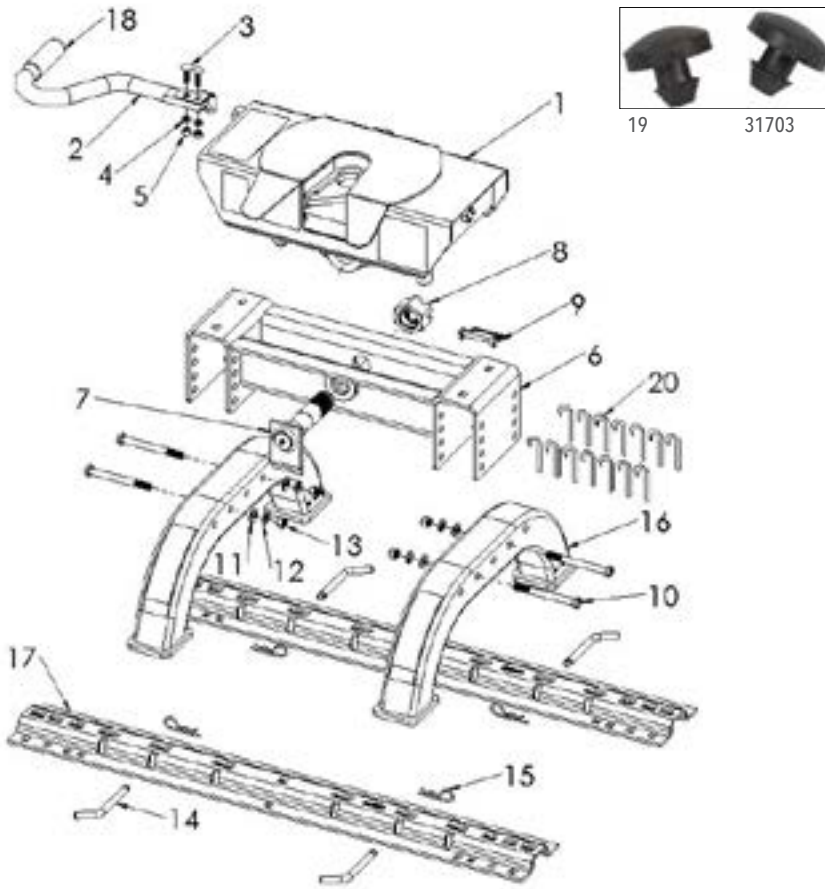
NO.	DESCRIPTION	BOX 1		BOX 2		31573	31574	31575	31576	31580	31581	31579	31703	32043
		31326	QTY	31326	QTY									
1	16K 5TH WHEEL HEAD ASSEMBLY	1	-	-	-	-	-	-	-	-	1	-	-	-
2	HANDLE	1	-	-	1	-	-	-	-	-	-	-	-	-
3	CARRIAGE BOLT, 3/8-16 X 1.25" LONG	2	-	-	2	-	-	-	-	-	-	-	-	-
4	LOCK WASHER, 3/8" ID	2	-	-	2	-	-	-	-	-	-	-	-	-
5	HEX NUT, 3/8-16	2	-	-	2	-	-	-	-	-	-	-	-	-
N/A	INSTRUCTIONS 16K (NOT SHOWN)	1	1	-	1	1	1	1	1	1	1	1	-	1
6	CROSS MEMBER	-	1	-	-	-	-	-	1	-	-	-	-	-
7	PIVOT PIN	-	1	-	-	1	-	-	-	-	-	-	-	-
8	CASTLE NUT, 1-1/2-12	-	1	-	-	1	-	-	-	-	-	-	-	-
9	CASTLE NUT SPACER WASHER	-	1	-	-	1	-	-	-	-	-	-	-	-
10	SAFETY LOCKING PIN	-	1	-	-	1	-	-	-	-	-	-	-	-
11	HEX HEAD BOLT, 1/2-13 X 4.5" LONG	-	4	-	-	-	-	4	-	-	-	-	-	-
12	WASHER, 1/2"	-	4	-	-	-	-	4	-	-	-	-	-	-
13	LOCK WASHER, 1/2"	-	4	-	-	-	-	4	-	-	-	-	-	-
14	HEX NUT, 1/2-13 UNC	-	4	-	-	-	-	4	-	-	-	-	-	-
15	1/2" BASE RAIL PIN	-	4	-	-	-	-	4	-	-	-	-	-	-
16	HAIR PIN	-	4	-	-	-	-	4	-	-	-	-	-	-
17	UPRIGHT	-	-	2	-	-	-	-	-	-	-	-	-	-
18	BASE RAIL FOR 5TH WHEEL(NOT INCLUDED)	NA	NA	NA	NA	NA	NA	NA	NA	NA	NA	NA	NA	NA
19	RUBBER BUMPER	-	2	-	-	-	-	-	2	-	-	-	2	-
20	FOAM GRIP HANDLE	1	-	-	1	-	-	-	-	-	-	2	-	-
21	SHIM KIT	-	-	14	-	-	-	-	-	-	-	-	-	14

- 31326 16K HEAD AND YOKE BOX 1/2
- 31326 CROSS MEMBER AND PIVOT PIN BOX 2/2
- 31314 UPRIGHTS
- 31573 HANDLE KIT

- 31574 PIVOT PIN KIT
- 31575 CROSS BEAM HARDWARE KIT
- 31576 BASE RAIL HARDWARE KIT
- 31580 CROSS BEAM KIT

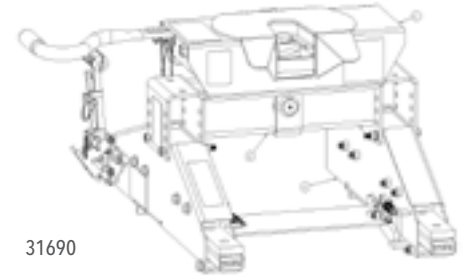
- 31581 HEAD & YOKE KIT
- 31579 HANDLE GRIP KIT
- 31703 RUBBER BUMPER KIT
- 32043 SHIM KIT





31668

26K W Head & Crossmember W/ Uprights (Long Bed)



31690

26K W Head & Crossmember W/ Husky 10-26 Glider (Short Bed)

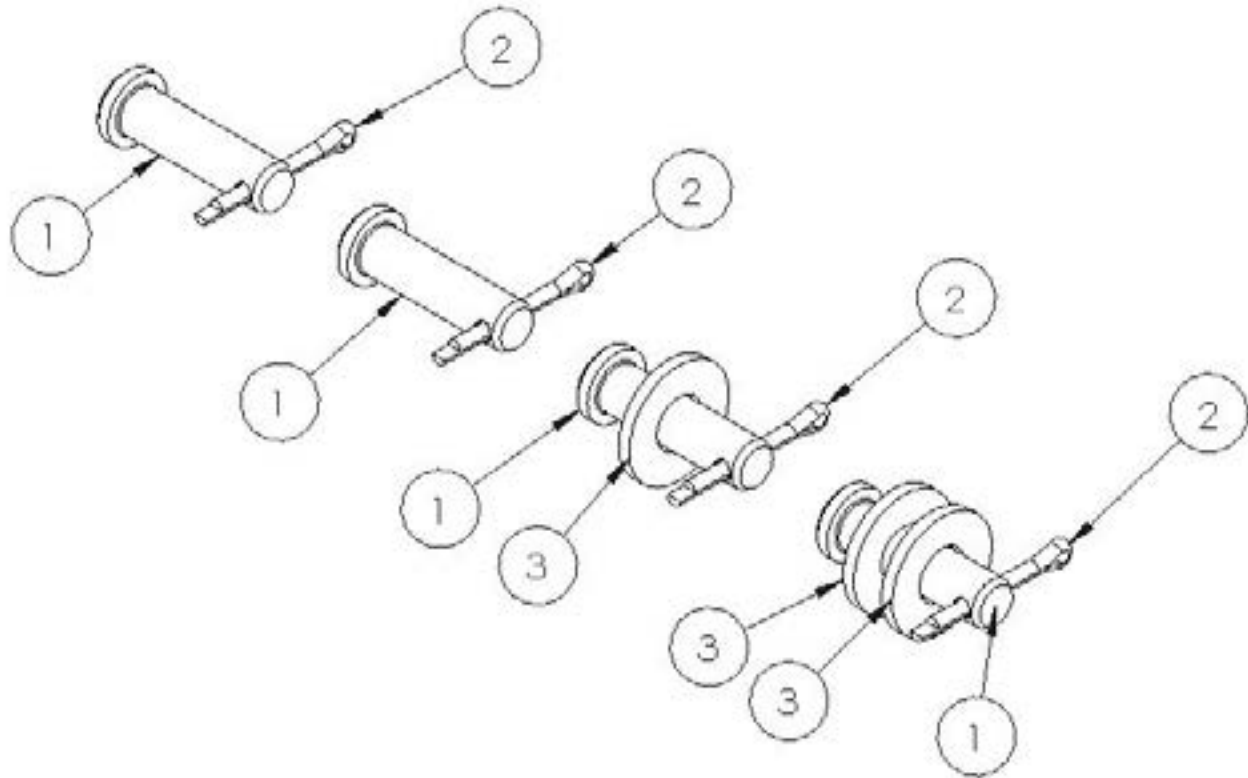
NO.	DESCRIPTIONS	31668 QTY.	31690 QTY.
1	26K W HEAD	1	1
2	CROSSMEMBER	1	1
3	UPRIGHTS (PAIR)	1	
4	HUSKY 10-26 GLIDER		1

NO.	DESCRIPTION	BOX 1	BOX 2	31325	31573	31574	31839	31576	31577	31578	31579	31703	32043
		31318	31318										
1	26K 5TH WHEEL HEAD ASSEMBLY	1	-	-	-	-	-	-	-	1	-	-	-
2	HANDLE	1	-	-	1	-	-	-	-	-	-	-	-
3	CARRIAGE BOLT, 3/8-16 X 1.25" L	2	-	-	2	-	-	-	-	-	-	-	-
4	LOCK WASHER, 3/8" ID	2	-	-	2	-	-	-	-	-	-	-	-
5	HEX NUT, 3/8-16	2	-	-	2	-	-	-	-	-	-	-	-
N/A	INSTRUCTIONS 26K (NOT SHOWN)	1	1	1	1	1	1	1	1	1	1	1	1
6	CROSS MEMBER	-	1	-	-	-	-	-	1	-	-	-	-
7	PIVOT PIN	-	1	-	-	1	-	-	-	-	-	-	-
8	CASTLE NUT, 1-1/2-12	-	1	-	-	1	-	-	-	-	-	-	-
9	SAFETY LOCKING PIN	-	1	-	-	1	-	-	-	-	-	-	-
10	HEX HEAD BOLT, 1/2-13 X 4.5" LONG	-	4	-	-	-	4	-	-	-	-	-	-
11	WASHER, 1/2" ID	-	4	-	-	-	4	-	-	-	-	-	-
12	LOCK WASHER, 1/2" ID	-	4	-	-	-	4	-	-	-	-	-	-
13	HEX NUT, 1/2-13 UNC	-	4	-	-	-	4	-	-	-	-	-	-
14	CLEVIS PIN, 1/2" OD X 2.50" LG	-	4	-	-	-	-	4	-	-	-	-	-
15	HAIR PIN	-	4	-	-	-	-	4	-	-	-	-	-
16	UPRIGHT	-	-	2	-	-	-	-	-	-	-	-	-
17	BASE RAIL FOR 5TH WHEEL (NOT INCLUDED)	NA	NA	NA	NA	NA	NA	NA	NA	NA	NA	NA	NA
18	HANDLE, FOAM GRIP	1	-	-	1	-	-	-	-	-	2	-	-
19	RUBBER BUMPERS	-	2	-	-	-	-	-	2	-	-	2	-
20	SHIM KIT	-	-	14	-	-	-	-	-	-	-	-	14

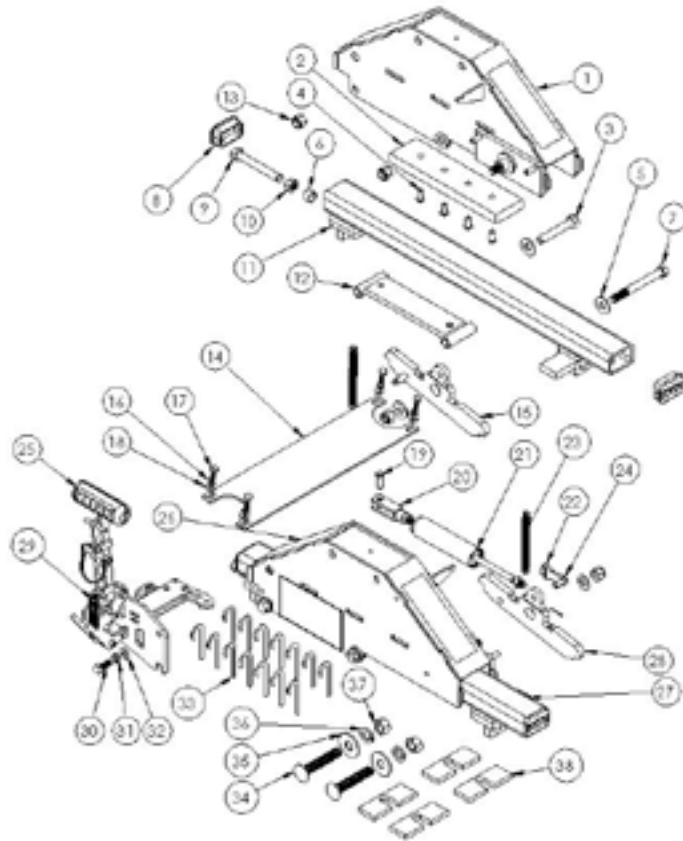
- 31318 26K W HEAD & YOKE, BOX 1/2
- 31318 26k W CROSSMEMBER & PIVOT PIN, BOX 2/2
- 31325 UPRIGHT KIT
- 31573 HANDLE KIT

- 31574 PIVOT PIN KIT
- 31839 CROSS BEAM HARDWARE KIT
- 31576 BASE RAIL HARDWARE KIT
- 31577 26K W CROSSMEMBER KIT

- 31578 26K W HEAD & YOKE KIT
- 31579 HANDLE GRIP KIT
- 32043 SHIM KIT



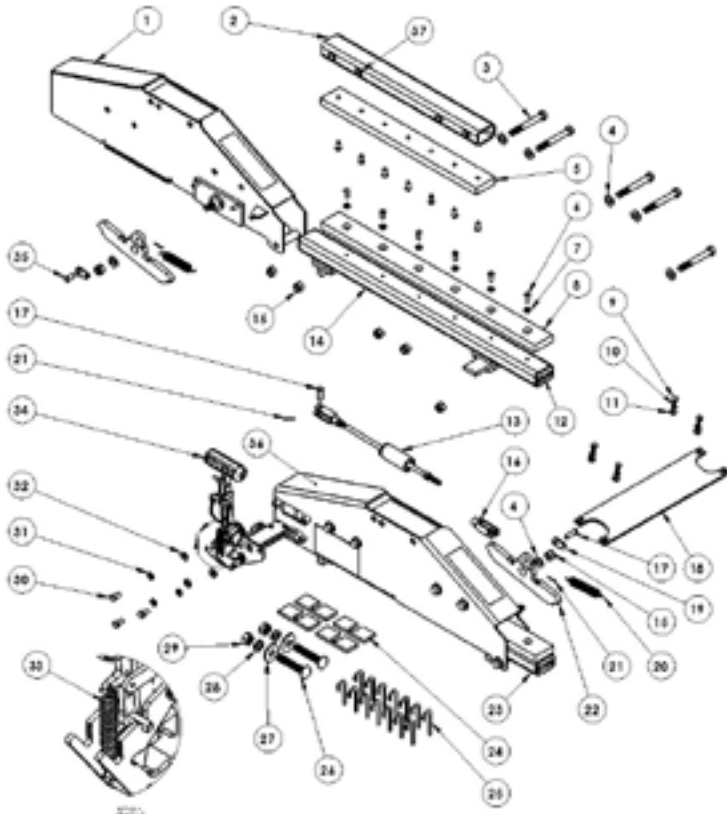
		<b>31728</b>
<b>NO.</b>	<b>DESCRIPTIONS</b>	<b>QTY.</b>
1	PIN, CLEVIS, 1/4 X 7/8	4
2	PIN, COTTER, 5/64 X 3/4 LONG	4
3	FLAT WASHER, 1/4"	3



- 31196 3 BOX SET FOR 16K HUSKY 10 GLIDER
- 32043 SHIM KIT
- 31751 16K HUSKY 10 PULL HANDLE SERVICE KIT
- 31752 3/8" HARDWARE KIT FOR 16K HUSKY 10 PULL HANDLE
- 31789 16K HUSKY 10 GLIDING PAD SERVICE KIT
- 31795 16K HUSKY 10 COMPRESSION CYLINDER ASSY SERVICE KIT
- 32048 HUSKY 10 HANDLE RETURN SPRING SERVICE KIT
- 31796 16K HUSKY 10 PS PIVOT ASSEMBLY SERVICE KIT
- 31797 16K HUSKY 10 CLEVIS-COTTER PIN SERVICE KIT
- 31803 16K HUSKY 10 PIVOT PLATE ASSEMBLY SERVICE KIT
- 31804 16K HUSKY 10, HOUSING HARDWARE (1/2") SERVICE KIT
- 32054 HUSKY 10 END TUBE PLUGS SERVICE KIT
- 31805 16K HUSKY 10 PIVOT RETURN SPRING SERVICE KIT
- 32058 PIVOT PLATE HARDWARE SERVICE KIT
- 32059 CENTER BOLT SERVICE KIT
- 31806 BUMP STOP SERVICE KIT
- 31745 DRIVER SIDE 16K HUSKY 10 ASSEMBLY SERVICE KIT
- 31748 PASSENGER SIDE 16K HUSKY 10 ASSEMBLY SERVICE KIT

NO.	DESCRIPTION	31196	32043	31751	31752	31789	31795	32048	31796	31797	31803	31804	32054	31805	32058	32059	31806	31745	31748
NO.	DESCRIPTION	QTY	QTY	QTY	QTY	QTY	QTY	QTY	QTY	QTY	QTY	QTY	QTY	QTY	QTY	QTY	QTY	QTY	QTY
1	PASSENGER SIDE HOUSING WELDMENT	1	-	-	-	-	-	-	-	-	-	-	-	-	-	-	-	-	1
2	GLIDE PAD	2	-	-	-	2	-	-	-	-	-	-	-	-	-	-	-	1	1
3	1/2-13 X 4" HEX BOLT, GR5	2	-	-	-	-	-	-	-	-	-	-	-	-	-	-	-	1	1
4	BUTTON HEAD SCREW, 5/16-18 UNC X 3/4", GR5	8	-	-	-	8	-	-	-	-	-	-	-	-	-	-	-	4	4
5	1/2" ID FLAT WASHER	6	-	-	-	-	1	-	1	-	-	2	-	-	-	-	-	3	3
6	BUSHING, 3/4" OD X 9/16" ID X 1/2" LONG	2	-	-	-	-	-	-	-	-	-	-	-	-	-	-	2	1	1
7	1/2-13 X 4.5 HEX BOLT, GR5	2	-	-	-	-	-	-	-	-	-	2	-	-	-	-	-	1	1
8	HUSKY TUBE PLUG	4	-	-	-	-	-	-	-	-	-	-	2	-	-	-	-	2	2
9	1/2-13 X 4" HEX BOLT, GR8	2	-	-	-	-	-	-	-	-	-	-	-	-	-	-	2	1	1
10	1/2-13 HEX NUT	2	-	-	-	-	-	-	-	-	-	-	-	-	-	-	2	1	1
11	PASSENGER SIDE LOWER RAIL WELDMENT	1	-	-	-	-	-	-	-	-	-	-	-	-	-	-	-	1	-
12	HOUSING/RAIL SPACING ASSEMBLY	2	-	-	-	-	-	-	-	-	-	1	-	-	-	-	-	1	1
13	1/2" NYLON LOCK NUT	6	-	-	-	-	1	-	1	-	-	2	-	-	-	-	-	3	3
14	PIVOT PLATE	1	-	-	-	-	-	-	-	-	1	-	-	-	-	-	-	-	-
15	PASSENGER SIDE FLIPPER WELDMENT	1	-	-	-	-	-	-	1	-	-	-	-	-	-	-	-	-	1
16	1/4" LOCK WASHER	4	-	-	-	-	-	-	-	-	4	-	-	-	4	-	-	-	-
17	1/4 -20 X .75" HEX BOLT, GR5	4	-	-	-	-	-	-	-	-	4	-	-	-	4	-	-	-	-
18	1/4" FLAT WASHER	4	-	-	-	-	-	-	-	-	4	-	-	-	4	-	-	-	-
19	CLEVIS PIN, 3/8 X 1.25, STEEL	1	-	-	-	-	-	-	1	-	-	-	-	-	4	-	-	1	-
20	COTTER PIN, 7/64 X 1, STEEL	2	-	-	-	-	1	-	-	2	-	-	-	-	-	-	-	1	-
21	HUSKY 10-16K COMPRESSION SPRING ASSY	1	-	-	-	-	1	-	-	-	-	-	-	-	-	-	-	-	-
22	NUT AND PLATE WELDMENT	1	-	-	-	-	1	-	-	-	-	-	-	-	-	-	-	1	-
23	EXTERNAL SPRING, 1/2" OD X 4.50" LONG	2	-	-	-	-	1	-	1	-	-	-	-	2	-	-	-	1	1
24	CLEVIS PIN, 3/8 X .875, STEEL	1	-	-	-	-	1	-	-	1	-	-	-	-	-	-	-	-	-
25	HUSKY 10-16K PULL HANDLE ASSEMBLY	1	-	1	1	-	-	-	-	-	-	-	-	-	-	-	-	-	-
26	DRIVER SIDE HOUSING WELDMENT	1	-	-	-	-	-	-	-	-	-	-	-	-	-	-	-	1	-
27	DRIVER SIDE LOWER RAIL WELDMENT	1	-	-	-	-	-	-	-	-	-	-	-	-	-	-	-	1	-
28	DRIVER SIDE FLIPPER WELDMENT	1	-	-	-	-	1	-	-	-	-	-	-	-	-	-	-	1	-
29	EXTENSION SPRING 1/2" OD X 2.75" LONG	1	-	-	-	-	-	1	-	-	-	-	-	-	-	-	-	-	-
30	3/8-16 UNC X 1.00 HEX BOLT, GR5	1	-	1	1	-	-	-	-	-	-	-	-	-	-	-	-	-	-
31	3/8 LOCK WASHER	1	-	1	1	-	-	-	-	-	-	-	-	-	-	-	-	-	-
32	3/8 FLAT WASHER	1	-	1	1	-	-	-	-	-	-	-	-	-	-	-	-	-	-
33	SHIM KIT	1	14	-	-	-	-	-	-	-	-	-	-	-	-	-	-	-	-
34	5/8-11 UNC X 3.50 CARRIAGE HEAD BOLT, GR. 5	2	-	-	-	-	-	-	-	-	-	-	-	-	-	2	-	-	-
35	5/8" FLAT WASHER	2	-	-	-	-	-	-	-	-	-	-	-	-	-	2	-	-	-
36	5/8" LOCK WASHER	2	-	-	-	-	-	-	-	-	-	-	-	-	-	2	-	-	-
37	5/8-11 UNC HEX NUT	2	-	-	-	-	-	-	-	-	-	-	-	-	-	2	-	-	-
38	SPACER PLATE	4	-	-	-	-	-	-	-	-	-	-	-	-	-	4	-	-	-





- 32042 3 BOX SET FOR 26K HUSKY 10 GLIDER
- 32043 SHIM KIT
- 32044 26K HUSKY 10 PULL HANDLE KIT
- 32045 3/8" HARDWARE KIT FOR 26K HUSKY 10 PULL HANDLE KIT
- 32046 SERVICE, 26K HUSKY 10 GLIDING PAD KIT
- 32047 26K HUSKY 10 COMPRESSION CYLINDER W/SIDE PIVOT (FLIPPER) ASSEMBLY KIT
- 32048 HUSKY 10 HANDLE RETURN SPRING KIT
- 32049 26K HUSKY 10 PASSENGER SIDE PIVOT (FLIPPER) ASSEMBLY KIT
- 32050 HUSKY 10 CLEVIS/COTTER PIN KIT
- 32051 26K HUSKY 10 PIVOT PLATE ASSEMBLY KIT
- 32053 26K HUSKY 10 HOUSING HARDWARE (1/2") KIT
- 32054 HUSKY 10 END TUBE PLUG KIT
- 32056 HUSKY 10 PIVOT (FLIPPER) RETURN SPRING SERVICE KIT
- 32058 PIVOT PLATE HARDWARE SERVICE KIT
- 32059 CENTER BOLT KIT

NO.	DESCRIPTION	32042	32043	32044	32045	32046	32047	32048	32049	32050	32051	32053	32054	32056	32058	32059
		QTY	QTY	QTY	QTY	QTY	QTY	QTY	QTY	QTY	QTY	QTY	QTY	QTY	QTY	QTY
1	PASSENGER SIDE HOUSING WELDMENT	1	-	-	-	-	-	-	-	-	-	-	-	-	-	-
2	UPPER SUPPORT TUBE	2	-	-	-	-	-	-	-	-	-	-	-	-	-	-
3	HEX HEAD BOLT 1/2 -13 X 4" LONG, GR5, YZ	10	-	-	-	-	-	-	-	-	-	5	-	-	-	-
4	1/2" FLAT WASHER	12	-	-	-	-	1	-	1	-	-	5	-	-	-	-
5	UPPER GLIDE PLATE	2	-	-	-	1	-	-	-	-	-	-	-	-	-	-
6	SOCKET BUTTON CAP SCREW, 5/16-18 UNC X 3/4", GR5, BO	26	-	-	-	13	-	-	-	-	-	-	-	-	-	-
7	5/16" FLAT WASHER	12	-	-	-	6	-	-	-	-	-	-	-	-	-	-
8	LOWER GLIDE PLATE	2	-	-	-	1	-	-	-	-	-	-	-	-	-	-
9	HEX HEAD BOLT 1/4 -20 X .75", GR5, YZ	4	-	-	-	-	-	-	-	-	4	-	-	-	4	-
10	1/4" LOCK WASHER	4	-	-	-	-	-	-	-	-	4	-	-	-	4	-
11	1/4" FLAT WASHER	4	-	-	-	-	-	-	-	-	4	-	-	-	4	-
12	HUSKY RUBBER TUBE PLUG	4	-	-	-	-	-	-	-	-	-	-	2	-	-	-
13	COMPRESSION CYLINDER ASSEMBLY	1	-	-	-	-	1	-	-	-	-	-	-	-	-	-
14	PASSENGER SIDE RAIL WELDMENT	1	-	-	-	-	-	-	-	-	-	-	-	-	-	-
15	1/2-13 LOCK NUT, GR5, YZ	12	-	-	-	-	1	-	1	-	-	5	-	-	-	-
16	CLEVIS ROD END	1	-	-	-	-	1	-	-	-	-	-	-	-	-	-
17	CLEVIS PIN, 3/8 X 1.25, STEEL, YZ	2	-	-	-	-	2	-	-	2	-	-	-	-	-	-
18	PIVOT PLATE	1	-	-	-	-	-	-	-	-	1	-	-	-	-	-
19	EXTENSION SPRING PIVOT PLATE	2	-	-	-	-	1	-	1	-	-	-	-	-	-	-
20	EXTENSION SPRING 3/4" OD X 3.50" LONG YZ	2	-	-	-	-	1	-	1	-	-	-	-	2	-	-
21	COTTER PIN, 7/64 X 1, STEEL, YZ	3	-	-	-	-	2	-	1	3	-	-	-	-	-	-
22	PIVOT STOP PLATE (FLIPPER)	2	-	-	-	-	1	-	1	-	-	-	-	-	-	-
23	DRIVER SIDE RAIL WELDMENT	1	-	-	-	-	-	-	-	-	-	-	-	-	-	-
24	SPACER PLATE	4	-	-	-	-	-	-	-	-	-	-	-	-	-	4
25	SHIM KIT	14	14	-	-	-	-	-	-	-	-	-	-	-	-	-
26	5/8-11 UNC X 3.50 CARRIAGE HEAD BOLT, GR. 5, BO	4	-	-	-	-	-	-	-	-	-	-	-	-	-	2
27	5/8" FLAT WASHER	4	-	-	-	-	-	-	-	-	-	-	-	-	-	2
28	5/8" LOCK WASHER	4	-	-	-	-	-	-	-	-	-	-	-	-	-	2
29	5/8-11 UNC HEX NUT	4	-	-	-	-	-	-	-	-	-	-	-	-	-	2
30	BOLT, HEAD, HEX, 3/8-16 X .75, GR5, YZ	3	-	3	3	-	-	-	-	-	-	-	-	-	-	-
31	3/8" LOCK WASHER	3	-	3	3	-	-	-	-	-	-	-	-	-	-	-
32	3/8" FLAT WASHER	3	-	3	3	-	-	-	-	-	-	-	-	-	-	-
33	EXTENSION SPRING 1/2" OD X 2.75" LONG YZ	1	-	-	-	-	-	1	-	-	-	-	-	-	-	-
34	26K HUSKY 10 PULL HANDLE ASSEMBLY	1	-	1	-	-	-	-	-	-	-	-	-	-	-	-
35	CLEVIS PIN, 3/8 X .875, STEEL, YZ	1	-	-	-	-	-	-	1	1	-	-	-	-	-	-
36	DRIVER SIDE HOUSING WELDMENT	1	-	-	-	-	-	-	-	-	-	-	-	-	-	-
37	1/2" ID SPACER	10	-	-	-	-	-	-	-	-	-	5	-	-	-	-



# CENTER LINE<sup>TS</sup>



## Weight distribution and sway control in a single unit!

The **Center Line TS** was in development by Husky's engineering team for nearly three years. We brought advanced design, the latest in technology and materials science to a product that greatly improves the towing experience. **Center Line TS** replaces products that have been relatively unchanged for more than two decades. The result is a dramatic change in weight distribution systems on the market today. Integrating weight distribution and sway control, the **Center Line TS** delivers superior performance and resolves many of the shortcomings of older technology products.

### Weight Distribution and Sway Control Engineered to Perform!

- The Center Line TS top plate is forged 1035 steel. Forged 1035 produces a much stronger hitch with excellent fatigue properties.
- The trunnions are hardened 1045 steel: Ensuring exceptional strength and wear properties.
- Tapered spring bars deliver a superior fit and appearance: Superior fit delivers superior sway control.
- Combines weight distribution and sway control in a single unit.
- Universal EZ Adjust frame brackets for easy installation and adjustment
- Exact tolerances in spring bar, head and lift brackets: The Center Line TS reacts to trailer sway conditions earlier than competing products & delivers a smoother, quieter ride.
- None of the noise problems other WD/sway products have - it's quiet.
- Forged and hardened steel components deliver excellent long-term durability and service.
- Hitch ball is factory pre-installed and properly torqued.
- Significantly lighter weight than competing products.
- Handle can be used to hook up and remove bars.
- No need for additional hardware.
- Outstanding performance - **drive it and see!**

### CENTER LINE<sup>TS</sup>

Combines weight distribution and sway control in a single unit without additional hardware. Reacts to trailer sway conditions earlier than competing products and delivers a smoother, quieter ride. Forged and hardened steel components deliver exceptional durability, safety and service. Hitch ball is factory installed and tightened to the correct torque specifications. Includes universal frame brackets for easy installation and adjustment. Each kit contains everything necessary to install this hitch - no separate components!

14-1258	32215	400-600 lbs.	2" Ball	Up to 6,000 lbs.
14-1259	32216	400-600 lbs.	2-5/16" Ball	Up to 6,000 lbs.
14-1263	32217	600-800 lbs.	2-5/16" Ball	Up to 8,000 lbs.
14-1266	32218	800-1200 lbs.	2-5/16" Ball	Up to 12,000 lbs.
71-5253	33092	800-1200 lbs.	2-5/16" Ball w/o Shank	Up to 12,000 lbs.
92-0004	33039	1000-1400 lbs.	2-5/16" Ball	Up to 14,000 lbs.

### Complete kit, ready to install!

### CENTER LINE<sup>HD</sup>

Levels your load and keeps your trailer straight in all driving conditions. Self-centering sway control systems creates resistance to counteract trailer sway before it begins. Includes head assembly, spring bar brackets, 10" shank, strap kit and hardware kit. Order spring bars and head assembly separately. Limited lifetime warranty.

14-0997 31390 Head Assembly

Plus one of the following spring bars:

14-1250	31511	600-800 lbs.	2-5/16" Ball	Up to 8,000 lbs.
14-1251	31512	800-1200 lbs.	2-5/16" Ball	Up to 12,000 lbs.
14-1252	31513	1000-1400 lbs.	2-5/16" Ball	Up to 14,000 lbs.



Made for 50° trailer frames only.



**ROUND BAR WEIGHT DISTRIBUTION PACKAGE**

Ready for safe towing right out of the box! Comes with the same features as the Round Bar Weight Distribution Hitches, PLUS a dual friction, sway control system that diminishes sway from windy conditions and passing vehicles, and a pre-assembled and torqued trailer ball and sway control ball.

14-1074	31995	400-600 lbs.	2" Ball	Up to 6,000 lbs.
14-1466	31986	400-600 lbs.	2-5/16" Ball	Up to 6,000 lbs.
14-1081	31997	600-800 lbs.	2-5/16" Ball	Up to 8,000 lbs.
14-1256	30849	800-1200 lbs.	2-5/16" Ball	Up to 12,000 lbs.
71-5254	33093	800-1200 lbs.	2-5/16" Ball w/o Shank	Up to 12,000 lbs.

**ROUND BAR WEIGHT DISTRIBUTION**

Features a bolt-together ball mount / 10" shank assembly for 2" applications, dual sway control platform for greater coupler clearance, chains and assembly hardware. 8" height adjustment. (rise: 6-1/4"; drop: 1-3/4"). 1-1/4" hole-on-head assembly requires 1-1/4" shank on trailer ball. \*2-1/2" x 2" Shank. Balls not included.

14-1067	31421	400-600 lbs.	2-5/16" Ball	Up to 6,000 lbs.
14-1069	31422	600-800 lbs.	2-5/16" Ball	Up to 8,000 lbs.
14-1027	31423	800-1200 lbs.	2-5/16" Ball	Up to 12,000 lbs.
14-1070	31425	1000-1400 lbs.	2-5/16" Ball	Up to 14,000 lbs.
14-1028	32464	1000-1400 lbs.	2-5/16" Ball w/ 2-1/2"*	Up to 14,000 lbs.



**TRUNNION BAR WEIGHT DISTRIBUTION PACKAGE**

Ready for safe towing right out of the box! Comes with the same features as the Trunnion Bar Weight Distribution Hitches, PLUS a dual friction, sway control system that diminishes sway from windy conditions and passing vehicles, and a pre-assembled and torqued trailer ball and sway control ball. Trailer ball is 2-5/16" x 1-1/4" 12,000 lb.

14-1072	31620	600-800 lbs.	2-5/16" Ball	Up to 8,000 lbs.
14-1073	31621	800-1200 lbs.	2-5/16" Ball	Up to 12,000 lbs.

**TRUNNION BAR WEIGHT DISTRIBUTION**

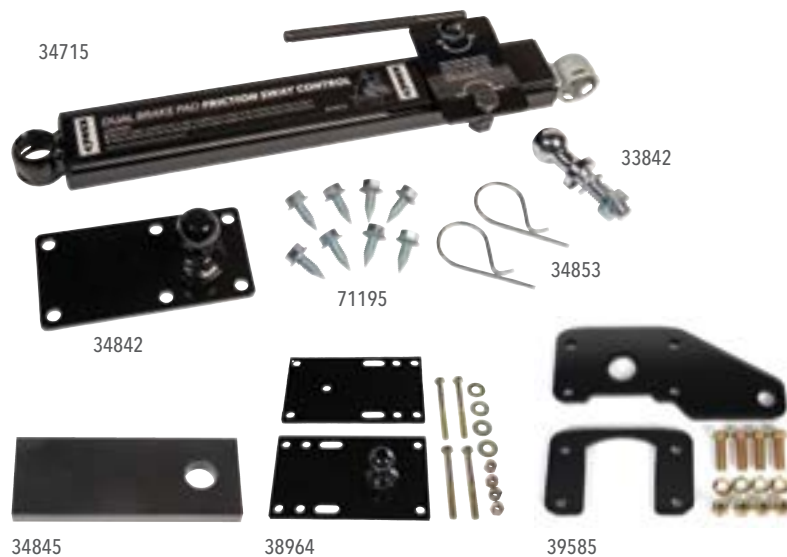
Features a bolt-together hitch head and 10" shank assembly, raised ball platform for greater coupler clearance and turning radius and a built-in dual sway control platform. Fits all Class III / IV 2" receivers. 8" of height adjustment (rise: 7-1/2"; drop: 1"). 1-1/4" hole-on-head assembly. Requires 1-1/4" shank on trailer ball. Balls not included. 5 year limited warranty.

14-0993	31330	300-500 lbs.	2-5/16" Ball	Up to 5,000 lbs.
14-1065	31331	500-800 lbs.	2-5/16" Ball	Up to 8,000 lbs.
14-1066	31335	800-1200 lbs.	2-5/16" Ball	Up to 12,000 lbs.
14-1081	31997	500-800 lbs.	2-5/16" Ball	Up to 8,000 lbs.
14-1256	30849	800-1200 lbs.	2-5/16" Ball	Up to 12,000 lbs.

**SWAY CONTROLS**

- Dual friction brake pad system provides constant and adjustable sway reduction.
- Diminishes sway from windy conditions & passing vehicles.
- Secures with socket & spring clip connectors.
- Detaches quickly for storage.
- Right-handed and left-handed models.

**NOTE:** for trailers 24' and longer, the use of both Right Hand and Left Hand sway controls is recommended.



Diminishes lateral trailer movement in windy conditions and passing vehicles. Dual friction brake pad system provides constant and adjustable sway reduction. Detaches quickly for storage. Secures with socket & spring clip connectors. Select from a complete left or right kit or build your own kit

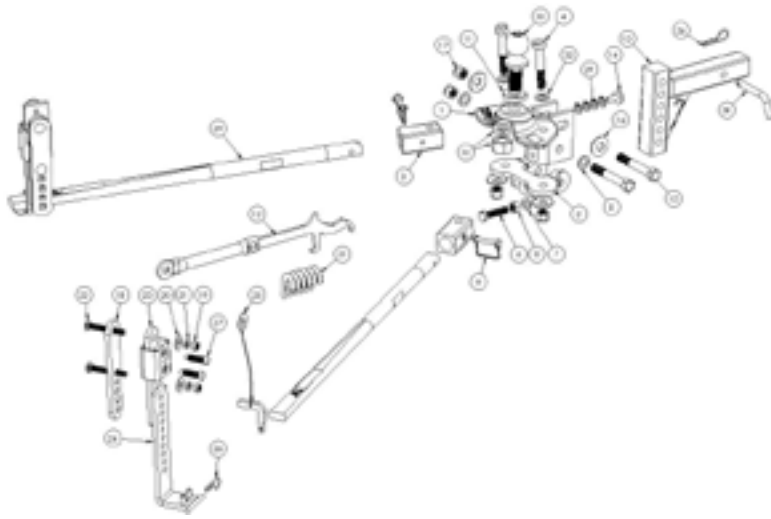
**Complete Kit:**

14-1253	34715	Right Hand Kit
14-1254	37498	Left Hand Kit

**Components:**

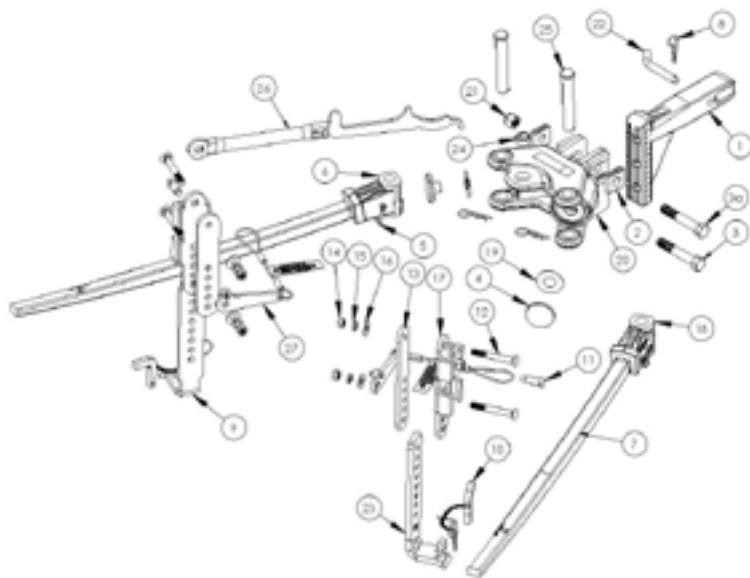
14-1193	34845	Weld-on Ball Mount Bar
14-1330	34846	Slide Bar
14-1194	34847	Crank Handle
14-1192	34842	Tongue Ball Plate
14-1195	34853	Spring Clip
14-1255	38964	Clamp-on Rail Kit
18-0792	39585	Ball Mount Adapter
14-1052	33842	Sway Control Ball
14-1196	71195	Screws, 8/pkg





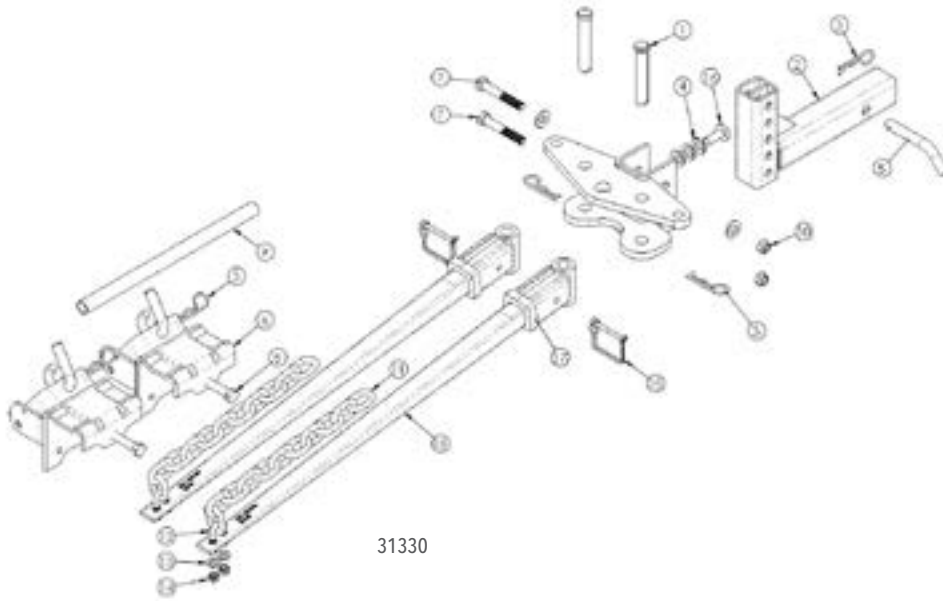
- 32215 CENTERLINE TS, 400-600 LBS. W/2" BALL
- 32216 CENTERLINE TS, 400-600 LBS. W/2-5/16" BALL
- 32217 CENTERLINE TS, 600-800 LBS. W/2-5/16" BALL
- 32218 CENTERLINE TS, 800-1200 LBS. W/2-5/16" BALL
- 33039 CENTERLINE TS, 1000-1400 LBS. W/2-5/16" BALL
- 32328 1200 LBS. HEAD KIT
- 33049 1400 LBS. HEAD KIT
- 33050 1000-1400 LBS. SPRING BAR KIT
- 32329 800-1200 LBS. SPRING BAR KIT
- 32330 600-800 LBS. SPRING BAR KIT
- 32331 400-600 LBS. SPRING BAR KIT
- 32332 1200 LBS. DS & PS TRUNNION, BOLT HARDWARE & D PIN KIT
- 33051 1400 LBS. DS & PS TRUNNION, BOLT HARDWARE & D PIN KIT
- 32333 FRAME BRACKET KIT
- 32334 LIFT TOOL KIT
- 32335 1200 LBS. SPRING BAR RETAINING PIN KIT
- 33052 1400 LBS. SPRING BAR RETAINING PIN KIT
- 32336 BALL PLATFORM KIT
- 32337 LANYARD ASSY KIT
- 32338 SHIM KIT
- 32339 DOG POINT SCREW KIT
- 32340 HARDWARE KIT
- 32342 5/8 BOLT, NUT AND WASHER KIT

NO.	DESCRIPTION	32215	32216	32217	32218	33039	32328	33049	33050	32329	32330	32331	32332	33051	32333	32334	32335	33052	32336	32337	32338	32339	32340	32342
		QTY	QTY	QTY	QTY	QTY	QTY	QTY	QTY	QTY	QTY	QTY	QTY	QTY	QTY	QTY	QTY	QTY	QTY	QTY	QTY	QTY	QTY	QTY
1	TOP PLATE AND CHANNEL WELDMENT	1	1	1	1	1	1	1	-	-	-	-	-	-	-	-	-	-	-	-	-	-	-	-
2	LOWER PLATE WELDMENT	1	1	1	1	1	1	1	-	-	-	-	-	-	-	-	-	-	-	-	-	-	-	-
3	1200 LBS. MACHINED TRUNNION	2	2	2	2	2	2	-	-	-	-	2	-	-	-	-	-	-	-	-	-	-	-	-
3	1400 LBS. MACHINED TRUNNION	-	-	-	-	2	-	2	-	-	-	-	2	-	-	-	-	-	-	-	-	-	-	-
4	3/4-10 X 4.5" HEX BOLT	2	2	2	2	2	2	2	-	-	-	2	2	-	-	-	-	-	-	-	-	-	-	-
5	3/4" ID FLAT WASHER	2	2	2	2	2	-	-	-	-	-	-	-	-	-	-	-	-	-	-	-	-	2	-
6	5/8-11 X 2.75" HEX BOLT	1	1	1	1	1	1	1	-	-	-	-	-	-	-	-	-	-	-	-	-	-	-	1
7	5/8" ID FLAT WASHER	1	1	1	1	1	1	1	-	-	-	-	-	-	-	-	-	-	-	-	-	-	-	1
8	5/8-11 HEX NUT	1	1	1	1	1	1	1	-	-	-	-	-	-	-	-	-	-	-	-	-	-	-	1
9	1200 LBS. 3/8" "D" LOCK PIN ASSEMBLY	2	2	2	2	-	-	-	-	-	-	2	-	-	-	2	-	-	-	-	-	-	-	-
9a	1400 LBS. 3/8" "D" LOCK PIN ASSEMBLY	-	-	-	-	2	-	-	-	-	-	-	2	-	-	-	2	-	-	-	-	-	-	-
10	2-5/16" HITCH BALL ASSEMBLY	-	1	1	1	1	-	-	-	-	-	-	-	-	-	-	-	-	-	-	-	-	-	-
10a	2" HITCH BALL ASSEMBLY	1	-	-	-	-	-	-	-	-	-	-	-	-	-	-	-	-	-	-	-	-	-	-
11	BALL PLATFORM BUSHING FOR 1-1/4" O.D. SHANK ONLY	1	1	1	1	1	-	-	-	-	-	-	-	-	-	-	-	-	1	-	-	-	-	-
12	LIFT TOOL ASSEMBLY	1	1	1	1	1	-	-	-	-	-	-	-	-	1	-	-	-	-	-	-	-	-	-
13	SHANK, 5-1/2" RISE, 1-1/4" DROP, 7-3/4" LONG, 2" SQ.	1	1	1	1	1	-	-	-	-	-	-	-	-	-	-	-	-	-	-	-	-	-	-
14	TILT PIN	1	1	1	1	1	-	-	-	-	-	-	-	-	-	-	-	-	-	-	-	-	-	-
15	3/4-10 X 5" GRADE 8 HEX BOLT	2	2	2	2	2	-	-	-	-	-	-	-	-	-	-	-	-	-	-	-	-	2	-
16	3/4" ID CONICAL TOOTH WASHER	4	4	4	4	4	2	2	-	-	-	2	2	-	-	-	-	-	-	-	-	-	2	-
17	3/4-10 NYLON LOCK NUT	4	4	4	4	4	2	2	-	-	-	2	2	-	-	-	-	-	-	-	-	-	2	-
18	FRAME MOUNTING PLATE	2	2	2	2	2	-	-	-	-	-	-	-	-	2	-	-	-	-	-	-	-	-	-
19	1/2-13 HEX NUT	4	4	4	4	4	-	-	-	-	-	-	-	4	-	-	-	-	-	-	-	-	-	-
20	1/2" ID FLAT WASHER	4	4	4	4	4	-	-	-	-	-	-	-	4	-	-	-	-	-	-	-	-	-	-
21	1/2" ID LOCK WASHER	4	4	4	4	4	-	-	-	-	-	-	-	4	-	-	-	-	-	-	-	-	-	-
22	1/2-13 X 4" CARRIAGE HEAD BOLT	4	4	4	4	4	-	-	-	-	-	-	-	4	-	-	-	-	-	-	-	-	-	-
23	FRAME MOUNTING BRACKET	2	2	2	2	2	-	-	-	-	-	-	-	2	-	-	-	-	-	-	-	-	-	-
24	DS/PS WDS LIFT BRACKET WELDMENT	2	2	2	2	2	-	-	-	-	-	-	-	2	-	-	-	-	-	-	-	-	-	-
25	"L" PIN & WASHER LANYARD ASSY	2	2	2	2	2	-	-	-	-	-	-	-	2	-	-	-	-	2	-	-	-	-	-
26	5/8" HAIR PIN	3	3	3	3	3	-	-	-	-	-	-	-	2	-	-	-	-	-	-	-	-	3	-
27	5/8-11 X 2.00" SQ. HD SET SCREW W/FULL DOG POINT	4	4	4	4	4	-	-	-	-	-	-	-	4	-	-	-	-	-	-	-	4	-	-
28	1000-1400 STRAIGHT ROUND SPRING BAR W/LABELS	-	-	-	-	2	-	-	1	-	-	-	-	-	-	-	-	-	-	-	-	-	-	-
28a	800-1200 STRAIGHT ROUND SPRING BAR W/LABELS	-	-	-	2	-	-	-	-	1	-	-	-	-	-	-	-	-	-	-	-	-	-	-
28b	600-800 STRAIGHT ROUND SPRING BAR W/LABELS	-	-	2	-	-	-	-	-	1	-	-	-	-	-	-	-	-	-	-	-	-	-	-
28c	400-600 STRAIGHT ROUND SPRING BAR W/LABELS	2	2	-	-	-	-	-	-	-	1	-	-	-	-	-	-	-	-	-	-	-	-	-
29	1/2" ID HARDENED FLAT WASHER	4	4	4	4	4	-	-	-	-	-	-	-	-	-	-	-	-	-	-	-	-	4	-
30	5/8" HITCH PIN	1	1	1	1	1	-	-	-	-	-	-	-	-	-	-	-	-	-	-	-	-	1	-
31	HOOK SHIM	6	6	6	6	6	-	-	-	-	-	-	-	-	-	-	-	-	-	6	-	6	-	-
32	3/4" ID HARDENED FLAT WASHER	2	2	2	2	2	2	2	-	-	-	2	2	-	-	-	-	-	-	-	-	-	-	-



- 31390 501 - 1,400 lbs. CENTER LINE WD HEAD ASSEMBLY, SHANK & FRAME BRACKET SYSTEM
- 31393 PASSENGER SIDE REPLACEMENT FRAME & SPRING BAR BRACKET ASSEMBLY
- 31394 DRIVER SIDE REPLACEMENT FRAME & SPRING BAR BRACKET ASSEMBLY
- 31447 COMPLETE HARDWARE KIT
- 31448 DRIVER'S SIDE TRUNION KIT
- 31449 PASSENGER'S SIDE TRUNION KIT
- 31450 PRESSURE PLATE KIT
- 31459 CUSTOMER SHIM KIT
- 31511 501 - 800 lbs. SPRING BAR KIT
- 31512 801 - 1,200 lbs. SPRING BAR KIT
- 31513 1,001 - 1,400 lbs. SPRING BAR KIT
- 31672 "L" PIN ASSEMBLY SERVICE KIT
- 31705 HEAD SERVICE KIT
- 31878 SPRING BAR LIFT TOOL
- 32017 SPRING BAR TETHER KIT

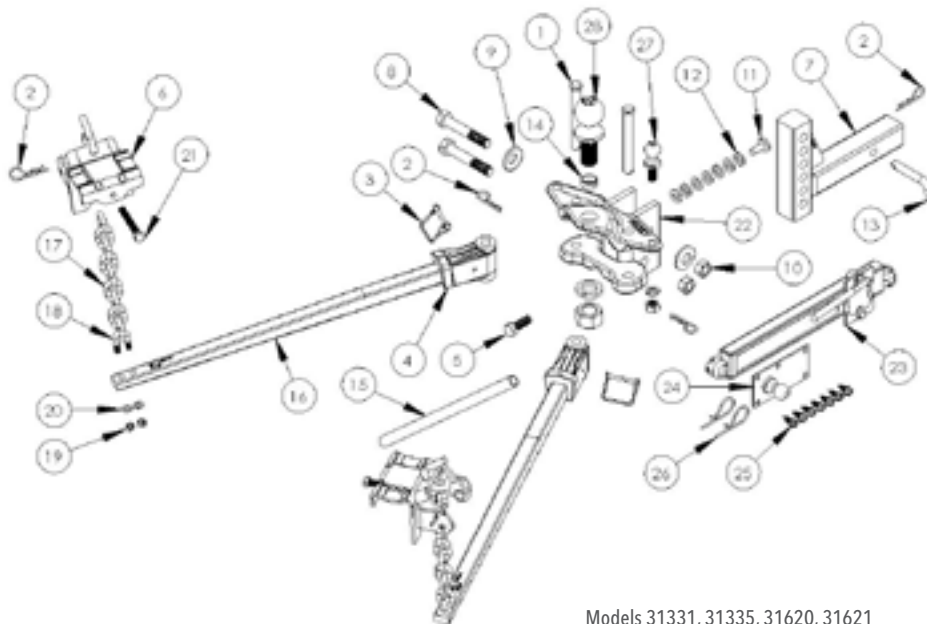
NO.	DESCRIPTION	31390	31393	31394	31447	31448	31449	31450	31459	31511	31512	31513	31672	31705	31878	32017
		QTY	QTY	QTY	QTY	QTY	QTY	QTY	QTY	QTY	QTY	QTY	QTY	QTY	QTY	QTY
1	SHANK	1	-	-	-	-	-	-	-	-	-	-	-	-	-	-
2	HEAD TILT ADJUSTING PLATE	2	-	-	2	-	-	-	-	-	-	-	-	2	-	-
3	HEX HEAD BOLT, 3/4-10 UNC X 4.5, GR8, CZ	1	-	-	1	-	-	-	-	-	-	-	-	1	-	-
3a	HEX HEAD BOLT, 3/4-10 UNC X 5.5, GR8, CZ	1	-	-	1	-	-	-	-	-	-	-	-	1	-	-
4	PRESSURE PLATE	2	-	-	-	-	2	-	-	-	-	-	-	-	-	-
5	1/4" DIA. SQUARE "D" SAFETY PIN	2	-	-	2	-	-	-	-	-	-	-	-	2	-	-
6	PASSENGER SIDE TRUNION	1	-	-	-	-	1	-	-	-	-	-	-	-	-	-
7	501 - 800 LBS. SQUARE SPRING BAR	-	-	-	-	-	-	-	-	2	-	-	-	-	-	-
7a	801 - 1200 LBS. SQUARE SPRING BAR	-	-	-	-	-	-	-	-	-	2	-	-	-	-	-
7b	1000 - 1400 LBS. SQUARE SPRING BAR	-	-	-	-	-	-	-	-	-	-	2	-	-	-	-
8	5/8" HAIR PIN	3	1	1	3	1	1	-	-	-	-	-	-	-	-	-
9	PASSENGER SIDE LIFT BRACKET	1	1	-	-	-	-	-	-	-	-	-	-	-	-	-
10	"L" PIN ASSEMBLY	1	1	1	2	-	-	-	-	-	-	-	2	-	-	-
11	SET SCREW, FULL DOG POINT, 5/8-11 X 1.50 LG, GR5, CZ	1	1	1	-	-	-	-	-	-	-	-	-	-	-	-
12	CARRIAGE HEAD BOLT, 1/2" 13-UNC X 4", GR5, CZ	1	2	2	4	-	-	-	-	-	-	-	-	-	-	-
13	FRAME MOUNTING PLATE	1	1	1	-	-	-	-	-	-	-	-	-	-	-	-
14	HEX NUT 1/2-13 UNC, GR5, CZ	1	2	2	4	-	-	-	-	-	-	-	-	-	-	-
15	1/2" LOCK WASHER	1	2	2	4	-	-	-	-	-	-	-	-	-	-	-
16	1/2" FLAT WASHER	1	2	2	4	-	-	-	-	-	-	-	-	-	-	-
17	FRAME BRACKET	1	1	1	-	-	-	-	-	-	-	-	-	-	-	-
18	DRIVER SIDE TRUNION	1	-	-	-	1	-	-	-	-	-	-	-	-	-	-
19	SHIM	1	-	-	-	-	-	-	6	-	-	-	-	6	-	-
20	CENTERLINE HD HEAD	1	-	-	-	-	-	-	-	-	-	-	1	-	-	-
21	NYLON LOCK NUT, 3/4" 10-UNC, GR5, CZ	1	-	-	2	-	-	-	-	-	-	-	2	-	-	-
22	HITCH PIN, 5/8"	1	-	-	1	-	-	-	-	-	-	-	-	-	-	-
23	DRIVER SIDE LIFT BRACKET	1	-	1	-	-	-	-	-	-	-	-	-	-	-	-
24	1-1/4" TO 1" BUSHING	1	-	-	1	-	-	-	-	-	-	-	-	1	-	-
25	CLEVIS PIN, 1" X 5.75" LONG	1	-	-	-	1	1	-	-	-	-	-	-	-	-	-
26	SPRING BAR LIFT TOOL	1	-	-	-	-	-	-	-	-	-	-	-	-	1	-
27	SPRING BAR TETHER ASSEMBLY	2	-	-	-	-	-	-	-	-	-	-	-	-	-	2



- 30684 SHANK ASSEMBLY
- 30687 CLEVIS PIN
- 30688 HEX BOLT, 1/2" X 3-1/4"
- 30690 LOCK NUT 1/2"
- 31260 CHAIN LIFT BRACKET KIT
- 31524 LIFT HANDLE
- 31526 SPRING BAR CHAIN KIT
- 33790 HITCH PIN & SPRING CLIP
- 33792 SPRING CLIP, 5/8"
- 37155 HARDENED WASHER, 1/2"

NO.	DESCRIPTION	31330	30684	30687	30688	30690	31260	31524	31526	33790	33792	37155
		QTY	QTY	QTY	QTY	QTY	QTY	QTY	QTY	QTY	QTY	QTY
1	CLEVIS PIN, 3/4" OD X 4" LONG	2	-	1	-	-	-	-	-	-	-	-
2	SHANK ASSEMBLY	1	1	-	-	-	-	-	-	-	-	-
3	5/8" HAIR PIN	5	-	-	-	-	2	-	-	1	1	-
4	1/2" HARDENED WASHER	3	-	-	-	-	-	-	-	-	-	3
5	HITCH PIN	1	-	-	-	-	-	-	-	1	-	-
6	LIFT UNIT ASSEMBLY	2	-	-	-	-	2	-	-	-	-	-
7	HEX BOLT 1/2-13 X 3-1/4	2	-	-	1	-	-	-	-	-	-	-
8	HEX BOLT 1/2-13 X 3-1/2	2	-	-	-	-	2	-	-	-	-	-
9	LIFT HANDLE	1	-	-	-	-	-	1	-	-	-	-
10	LOCKING HEX NUT, 1/2-13 UNC GR5	2	-	-	-	2	-	-	-	-	-	-
11	CHAIN	2	-	-	-	-	-	2	-	-	-	-
12	3/8" U-BOLT	2	-	-	-	-	-	4	-	-	-	-
13	FLAT WASHER, 3/8" ID	4	-	-	-	-	-	4	-	-	-	-
14	LOCKING HEX NUT, 3/8-16	4	-	-	-	-	-	4	-	-	-	-
15	LOCK PIN ASSEMBLY	2	-	-	-	-	-	-	-	-	-	-
16	TILT PIN	1	-	-	-	-	-	-	-	-	-	-
17	TRUNNION	2	-	-	-	-	-	-	-	-	-	-
18	300-500 LB SPRING BAR	2	-	-	-	-	-	-	-	-	-	-





- 30695 CLEVIS PIN, 3/4"
- 31260 CHAIN LIFT BRACKET KIT
- 31518 SHANK ASSEMBLY
- 31524 LIFT HANDLE
- 31526 SPRING BAR CHAIN PACKAGE
- 31587 800 lb. SPRING BAR ASSEMBLY
- 31588 1200 lb. SPRING BAR ASSEMBLY
- 31589 FASTENER PACKAGE

Models 31331, 31335, 31620, 31621

NO.	DESCRIPTION	31331	31335	31620	31621	30695	31260	31518	31524	31526	31587	31588	31589
		QTY	QTY	QTY	QTY	QTY	QTY	QTY	QTY	QTY	QTY	QTY	QTY
1	CLEVIS PIN, 3/4" OD X 5.75"	1	1	1	1	1	-	-	-	-	-	-	2
2	5/8" HAIR PIN	5	5	5	5	-	2	-	-	-	-	-	5
3	LOCK PIN ASSEMBLY	4	4	4	4	-	-	-	-	-	1	1	-
4	TRUNNION	2	2	2	2	-	-	-	-	-	1	1	-
5	HEX HEAD BOLT, 5/8-11 X 1-3/4", GR5, CZ	1	1	1	1	-	-	-	-	-	-	-	-
6	CHAIN LIFT ASSEMBLY	2	2	2	2	-	2	-	-	-	-	-	-
7	SHANK, 5-1/2" RISE, 1-1/4" DROP, 7-3/4" LONG, 2" SQ.	1	1	1	1	-	-	1	-	-	-	-	-
8	HEX HEAD BOLT, 3/4-10 UNC X 4.5, GR5, YZ, WITH THREAD LOCK	2	2	2	2	-	-	-	-	-	-	-	2
9	3/4" SERRATED CONE WASHER	2	2	2	2	-	-	-	-	-	-	-	2
10	HEX NUT, 3/4" 10-UNC	2	2	2	2	-	-	-	-	-	-	-	2
11	TILT PIN	1	1	1	1	-	-	-	-	-	-	-	1
12	1/2" HARDENED FLATWASHER	7	7	7	7	-	-	-	-	-	-	-	7
13	HITCH PIN, 5/8"	1	1	1	1	-	-	-	-	-	-	-	1
14	1-1/4" TO 1" BUSHING	1	1	1	1	-	-	-	-	-	-	-	1
15	LIFT HANDLE	1	1	1	1	-	-	-	1	-	-	-	-
16	501 - 800 LB. WD TRUNNION BAR	2	-	2	-	-	-	-	-	-	1	-	-
16a	801 - 1,200 LB. WD TRUNNION BAR	-	2	-	2	-	-	-	-	-	-	1	-
17	CHAIN	2	2	2	2	-	-	-	-	2	1	1	-
18	U-BOLT, 3/8"	2	2	2	2	-	-	-	-	2	1	1	-
19	LOCKING HEX NUT, 3/8-16	4	4	4	4	-	-	-	-	4	2	2	-
20	FLAT WASHER, 3/8" ID	4	4	4	4	-	-	-	-	4	2	2	-
21	HEX HEAD BOLT 1/2-13 UNC X 3.75 LONG	2	2	2	2	-	2	-	-	-	-	-	2
22	HEAD ASSEMBLY	1	1	1	1	-	-	-	-	-	-	-	-
23	RH FRICTION SWAY CONTROL ASSY	-	-	1	1	-	-	-	-	-	-	-	-
24	BALL AND PLATE ASSEMBLY	-	-	1	1	-	-	-	-	-	-	-	-
25	HEX TAPPING SCREW, 3/8" x 1"	-	-	7	7	-	-	-	-	-	-	-	-
26	HAIR PIN CLIP	-	-	2	2	-	-	-	-	-	-	-	-
27	FRICTION SWAY BALL	-	-	1	1	-	-	-	-	-	-	-	-
28	2-5/16" x 1-1/4" x 2-5/8" HITCH BALL	-	-	1	1	-	-	-	-	-	-	-	-



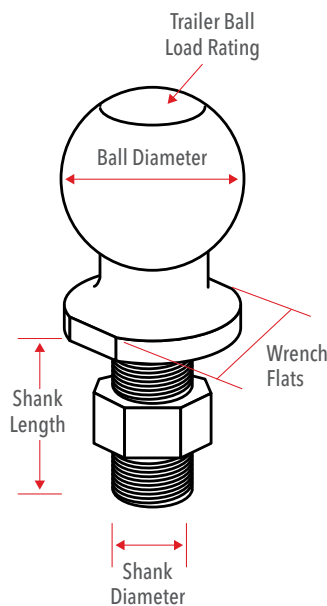
## HITCH BALLS



Manufactured from a single piece of solid steel with various shank lengths to accommodate a variety of ball platform thicknesses. Rated from Class I to Class IV with varying gross towing loads up to 17,000 lbs. Includes lockwasher and nut. Follow these easy steps to properly determine the correct trailer ball for your application:

- A. Determine Ball & Coupler Size** – Most couplers are stamped with the required trailer ball size. The sizes you'll most likely find stamped in the coupler are: Class I, 1-7/8"; Class II, 2"; Class III, 2-5/16".
- B. Gross Trailer Weight (GTW)** – Select the appropriate trailer ball to match or exceed the Gross Trailer Weight rating of the trailer.
- C. Match the Trailer Ball Shank to the Ball Platform Thickness & Hole Size** – When mounted in the ball platform, the threaded ball shank must protrude beyond the bottom of the lock washer and nut at least two threads.
- D. Hole Size** – The trailer ball shank must be matched to the platform hole diameter size. Standard hole sizes are: Class I: 3/4" diameter; Class II: 3/4" diameter; Class III/IV: 1" diameter; Weight Distribution: 1-1/4" diameter.

## SOLID STEEL TRAILER HITCH BALLS WITH CHROME FINISH



All Husky trailer balls come with "wrench flats" for ease of installation.

		Shank Diameter	Shank Length	GTW	Ball Platform	Pkg/Bulk
<b>1-7/8" Ball Diameter</b>						
14-1057	34915	3/4"	1-3/4"	2,000	3/8"-3/4"	Pkg
14-1320	33844	3/4"	1-3/4"	2,000	3/8"-3/4"	Bulk
14-1053	33846	1"	2-1/8"	2,000	3/8"-3/4"	Bulk
<b>2" Ball Diameter</b>						
14-1059	34917	3/4"	1-3/4"	3,500	3/8"-3/4"	Pkg
14-1321	33849	3/4"	1-3/4"	3,500	3/8"-3/4"	Bulk
14-1322	33850*	3/4"	2-5/16"	3,500	1/2"-1-3/8"	Bulk
14-1060	34918	1"	2-1/8"	6,000	3/8"-3/4"	Pkg
14-1054	33851	1"	2-1/8"	6,000	3/8"-3/4"	Bulk
14-1458	32913	1"	2-1/8"	7,500	3/8"-3/4"	Bulk
14-1325	34924	1"	2-7/8"	6,000	3/4"-1-3/4"	Pkg
14-1323	33852	1"	2-7/8"	6,000	3/4"-1-3/4"	Bulk
14-1459	32914	1"	2-7/8"	7,500	3/4"-1-7/8"	Bulk
14-1055	33853	1-1/4"	2-5/8"	8,000	1/2"-1"	Bulk
<b>2-5/16" Ball Diameter</b>						
14-1061	34919	1"	2-1/8"	6,000	3/8"-3/4"	Pkg
14-1056	33855	1"	2-1/8"	6,000	3/8"-3/4"	Bulk
14-1050	30255	1-1/4"	2-5/8"	12,000	3/8"-1"	Pkg
14-1062	39386	1-1/4"	2-5/8"	12,000	3/8"-1"	Bulk
14-1319	30678	1-1/4"	2-5/8"	14,000	3/8"-1"	Bulk
14-1063	39907	1-3/8"	2-1/2"	17,000	3/8"-3/4"	Bulk

\*Required for certain step bumper equipped pickups w/ball platforms thicker than 3/4". Always use a lock-washer and tighten nut with a torque wrench to proper torque.



## TRAILER HITCH BALL - LIFT

Solid steel, chrome finished. First measurement is ball size, second is shank diameter, and third is the lift height.

		Ball Dia.	Shank Dia.	Lift Height	Max. Capacity
14-1051	30601	2"	1"	1"	5,000 lbs.

## SWAY CONTROL BALL



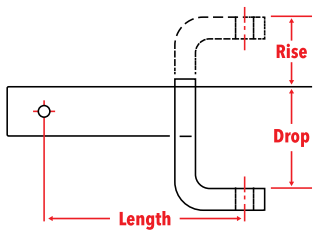
1-1/4" sway control ball.

14-1052 33842 Sway Control Ball



## BALL MOUNTS

The best way to even out a load is to select the best fitting ball mount. Ball mounts vary by weight rating, shaft length, and rise/drop measurements. Husky's Class I & II Ball Mounts are manufactured with a precise rise or drop to suit each of the applications. Rise/drop measurements become important in Class III and IV, and Husky offers you a wide range of rise/drop choices. Weight rating is limited to vehicle tow rating; see vehicle owner's manual.

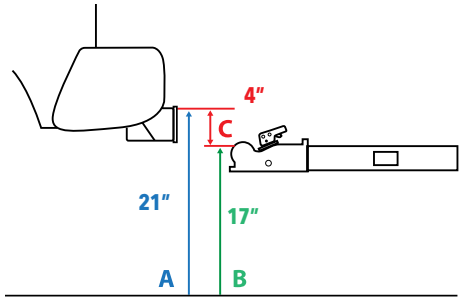


### FOR BALL MOUNT RISE:

- A = Distance from ground to bottom of trailer coupler.
- B = Distance from ground to top I.D. of the receiver tube opening.
- C = Amount of rise necessary to keep trailer level.

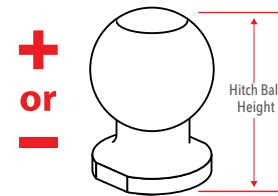
### FOR BALL MOUNT DROP:

- A = Distance from ground to bottom of trailer coupler.
- B = Distance from ground to top I.D. of the receiver tube opening.
- C = Amount of drop necessary to keep trailer level.



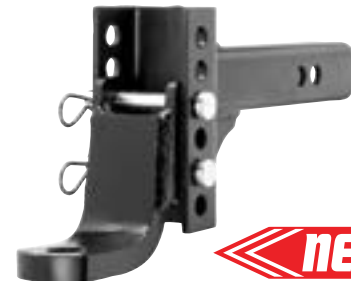
- A:** Measure from the ground to the top of the hitch.
- B:** Measure from the ground to the INSIDE top of the trailer coupler (when level)
- C:** Determine the "DROP" or "RISE"  
 DROP: if the coupler is LOWER than the hitch:  
 ADD the height of the hitch ball (usually 2.5"-3")  
 RISE: if the coupler is HIGHER than the hitch:  
 SUBTRACT the height of the hitch ball (usually 2.5"-3")

**EXAMPLE:** a 7" DROP is needed to make this trailer level.  
 4" (Hitch - Coupler) + 3" (Hitch Ball Ht.) = 7" (DROP)



31364

## ADJUSTABLE BALL MOUNT KIT



Includes a solid steel ball mount accessory, and accepts 1" shank diameter hitch balls (not included). Adjustable 6-3/4 Inch Drop Or 5-1/4 Inch Rise. GTW: 6000 lbs. Two high strength clevis pins allows for easy removal and swift interchangeability of accessories and height adjustments. Rust resistant powder-coat finish.

71-5261 33108 2" Receiver

## CLASS III/IV 2" SQ. BALL MOUNTS: BLACK POWDER-COAT FINISH

	Shank Dia.	Length	Rise	Drop	Weight Rating	
14-1121	31357	1	8"	3/4"	2"	6,000 lbs.
14-1123	31359	1	6-3/4"	2"	3-1/4"	6,000 lbs.
14-1124	31360	1	9"	1"	2-1/4"	6,000 lbs.
14-1122	31358	1	10"	3"	4-1/4"	5,000 lbs.
14-1125	31361*	1	9"	0"	8"	3,500 lbs.
14-1126	31362	1	10-1/2"	1"	2-1/4"	6,000 lbs.
14-1127	31363	1	11-1/2"	4-3/4"	6"	5,000 lbs.
14-1135	31369	1	12"	1"	2-1/4"	6,000 lbs.

## CLASS V 2.5" SQ. BALL MOUNTS: BLACK POWDER-COAT FINISH

71-5213	33004	1-1/4"	9-1/2"	1"	2-1/2"	12,000 lbs.
71-5214	33005	1-1/4"	9-1/2"	3-1/4"	4-3/4"	12,000 lbs.

### Straight Economy Ball Mount

14-1131	31364	1	8"	3/4"	2"	6,000 lbs.
---------	-------	---	----	------	----	------------

\*Not to be used in rise position



## CLASS II 1-1/4" SQ. BALL MOUNTS: BLACK POWDER-COAT FINISH

	Shank Dia	Length	Rise	Drop	Weight Rating	
14-1118	31341	3/4"	6-5/8"	5/8"	1-1/4"	3,500 lbs.
14-1467	31342	3/4"	7-7/8"	2-1/4"	2-7/8"	3,500 lbs.







**TRI-BALL ADJUSTABLE BALL MOUNTS**

Adjustable Triple Ball Mount. Chrome ball, zinc plated hardware, black powder coat finish. Head adjusts up and down on a reversible shank. Anti-rattle adjustment bolt on the head. Easy pull pin adjustment.  
 • 1-7/8" Ball: 2000 lb. capacity. • 2" Ball: 6000 lb. capacity. • 2-5/16" Ball: 10,000 lb. capacity.  
 All hardware included. Weight rating is limited to vehicle tow rating; see vehicle owner's manual.



14-1113 30001 Tri-Ball Mount  
 45-0141 32343 Hitch Pin

**PINTLE COMBO**

**NEW**



Includes a solid forged steel pintle combo with ball. Easy removal and swift interchangeability of accessories and height adjustments. Rust-resistant Powder-coat finish. 10,000 lbs. GTW.

71-5266 33113 2" Ball  
 71-5267 33114 2-5/16" Ball

**CLASS III/IV MULTIPLE TOW BALL MOUNTS**

**Description**

- 14-1120 31354
- Double Tow Ball Mount
  - Black Powder-Coat Finish
  - 8" from pin hole to ball center.
- 14-1119 31349
- Triple Tow Ball Mount
  - Black Powder-Coat Finish
  - 8" pin hole to 2-5/16" ball;
  - 7" pin hole to other balls.
  - 12" overall shank length.

**Feature**

- 2" trailer ball and
  - 2-5/16" trailer ball rating 500/5,000 lbs.
- 1-7/8" trailer ball rating 200/2,000 lbs.
  - 2" trailer ball rating 500/5,000 lbs.
  - 2-5/16" trailer ball rating 1000/10,000 lbs.



**ADJUSTABLE BALL MOUNT/ PINTLE COMBO KIT**



**NEW**

Includes a solid forged steel pintle combo with ball, and 2 clevis pins for easy removal and swift interchangeability of accessories and height adjustments. Rust-resistant powder-coat finish. 10,000 lbs. GTW.

71-5262 33109 2" Receiver, 2" Ball  
 71-5263 33110 2" Receiver, 2-5/16" Ball

**ADJUSTABLE BALL MOUNT KIT**



Quick, easy to adjust. Solid 2" shank platform fits 2" receivers. Works with pintle hook combo balls, clevis mounts and more. Includes a solid steel, 2-5/16" ball and a 2" ball. 14,000 lbs. GTW

71-5260 33104 2" Receiver

**PRE-TORQUED TOW KITS**

Class IV. Fits 2 Inch Receiver. 6000 lbs. GTW. Non-swivel; non-extendable. 1 Inch ball shank diameter; with 2 inch ball; powder-coated black steel; includes pin and clip.

14-1132 31366 2" Ball, 2" Drop, 3/4" Rise  
 8" Shank Length

14-1133 31367 2" Ball, 2" Drop, 3-1/4" Rise  
 6-3/4" Shank Length





The Switch Hitch by Husky® offers three ball sizes: 1-7/8", 2", 2-5/16"

Quickly switch from one ball to another through a patented switching and locking mechanism.

**NEW**

2" ball  
7,500 lbs.  
Gross Towing Weight



1-7/8" ball  
5,000 lbs.  
Gross Towing Weight

US Patent No. 8366.133B2

2-5/16" ball  
10,000 lbs.  
Gross Towing Weight



**PULL**

Simply pull spring loaded pin to unlock switching mechanism.



**SWITCH**

Switch to the correct size ball and release locking pin.



**LOCK**

Correct size ball is now locked in place and ready to go!

**Standard Features:**

- Powder Coated Finish
- Indexing Pin Design
- Grease Fitting
- Class IV Tested
- Patented 3-Ball Swivel System
- Limited Lifetime Warranty

**One quick switch. One tough hitch.**

No fumbling between setups. The Switch Hitch by Husky® has a solid core with a swivel design making it faster to switch over than any other tri-ball trailer hitch.

**You haven't seen a hitch switch like this before.**

Revolutionary design in Class IV tri-ball trailer hitches designed to eliminate problems associated with current generation hitches such as lost keys, lost pins and inability to remove from receiver Switch Hitch is machined from solid 2" bar of steel and exceeds all Class IV requirements. Patented switching and locking mechanism utilizing a carbon steel pin to ensure strength and durability.

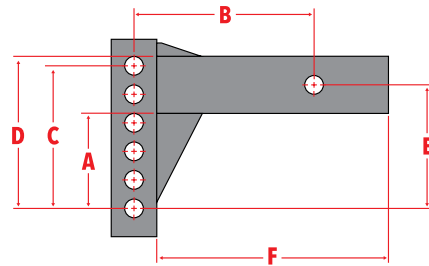
**The only one of its kind.**

Each hitch is black powder coated for a long lasting good look. A grease fitting is provided to ensure years of trouble free operation.

71-8550 33140 Switch Hitch



**Welded Shanks**



Slides into your hitch receiver and provides the attachment point for your weight distribution. WD hitches other than 32464 come with the 2" x 2" 31518 shank. The 32464 round bar hitch comes with the 2.5" x 2" 32459 shank.

## 2" X 2" WELDED SHANKS

		Dim. F	Dim. A	Dim. B	Dim. C	Dim. D	Dim. E
14-1303	31518	10"	4-1/4"	7-3/4"	6-1/4"	6-1/4"	5-1/4"
14-1315	30857	10"	7-1/2"	7-3/4"	6-1/4"	9-1/2"	8-1/2"
14-1317	30859	12"	11-1/4"	9-3/4"	5"	13-1/4"	12-1/4"
14-0995	30856	14"	4-1/4"	11-3/4"	6-1/4"	6-1/4"	5-1/4"
14-1316	30858	14"	7-1/2"	11-3/4"	6-1/4"	9-1/2"	8-1/2"

## 2.5" X 2" WELDED SHANKS

		Dim. F	Dim. A	Dim. B	Dim. C	Dim. D	Dim. E
71-3625	32459	10"	4-1/4"	7-3/4"	6-1/4"	6-3/4"	5-1/2"
71-3627	32554	10"	7-1/2"	7-3/4"	6-1/4"	10"	8-3/4"
71-3626	32550	12"	11-1/4"	9-3/4"	6-1/4"	13-3/4"	12-1/2"
71-5206	32552	12"	4-1/4"	9-3/4"	6-1/4"	6-3/4"	5-1/2"
71-5207	32553	14"	4-1/4"	11-3/4"	6-1/4"	6-3/4"	5-1/2"
71-5208	32555	14"	7-1/2"	11-3/4"	6-1/4"	10"	8-3/4"

**NOTE:** weight carrying capacity of shanks listed above is 6,000 lbs. maximum and weight distribution 14,000 lbs. maximum.

## SHANK USAGE: ROUND BAR WD

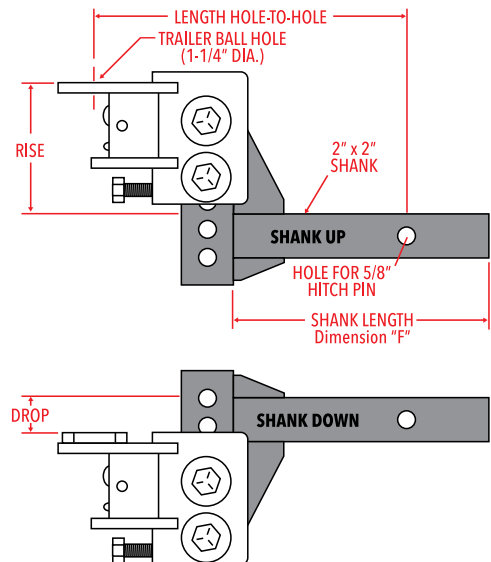
Type	Shank L (dim F)	Mfg. #	Rise	Drop	Hole to Hole L
2x2 W	10"	31518	6-1/4"	1-3/4"	12-1/8"
2x2 W	10"	30857	9-1/2"	5"	12-1/8"
2x2 W	12"	30859	13-1/4"	8-3/4"	14-1/8"
2x2 W	14"	30856	6-1/4"	1-3/4"	16-1/8"
2x2 W	14"	30858	9-1/2"	5"	16-1/8"
2.5x2 W	10"	32459	6-1/4"	2-1/4"	12-1/8"
2.5x2 W	10"	32554	9-1/2"	5-1/2"	12-1/8"
2.5x2 W	12"	32550	13-1/4"	9-1/4"	14-1/8"
2.5x2 W	12"	32552	6-1/4"	2-1/4"	14-1/8"
2.5x2 W	14"	32553	6-1/4"	2-1/4"	16-1/8"
2.5x2 W	14"	32555	9-1/2"	5-1/2"	16-1/8"

## SHANK USAGE: TRUNNION BAR WD

Type	Shank L (dim F)	Mfg. #	Rise	Drop	Hole to Hole L
2x2 W	10"	31518	7-1/2"	1"	12-3/8"
2x2 W	10"	30857	10-3/4"	3-3/4"	12-3/8"
2x2 W	12"	30859	14-1/2"	7-1/2"	14-3/8"
2x2 W	14"	30856	7-1/2"	1/2"	16-3/8"
2x2 W	14"	30858	10-3/4"	3-3/4"	16-3/8"
2.5x2 W	10"	32459	7-1/2"	1"	12-3/8"
2.5x2 W	10"	32554	10-3/4"	4-1/4"	12-3/8"
2.5x2 W	12"	32550	14-1/2"	8"	14-3/8"
2.5x2 W	12"	32552	7-1/2"	1"	14-3/8"
2.5x2 W	14"	32553	7-1/2"	1"	16-3/8"
2.5x2 W	14"	32555	10-3/4"	4-1/4"	16-3/8"

## SHANK USAGE: CENTER LINE TS

Type	Shank L (dim F)	Mfg. #	Rise	Drop	Hole to Hole L
2x2 W	10"	31518	6-5/8"	1-3/8"	12-5/8"
2x2 W	10"	30857	9-7/8"	4-5/8"	12-5/8"
2x2 W	12"	30859	13-5/8"	8-3/8"	14-5/8"
2x2 W	14"	30856	6-5/8"	1-3/8"	16-5/8"
2x2 W	14"	30858	10-3/4"	4-5/8"	12-1/4"
2.5x2 W	10"	32459	6-5/8"	1-7/8"	12-5/8"
2.5x2 W	10"	32554	9-7/8"	5-1/8"	12-5/8"
2.5x2 W	12"	32550	13-5/8"	8-7/8"	14-5/8"
2.5x2 W	12"	32552	6-5/8"	1-7/8"	14-5/8"
2.5x2 W	14"	32553	6-5/8"	1-7/8"	16-5/8"
2.5x2 W	14"	32555	9-7/8"	5-1/8"	16-5/8"







## STRAIGHT TRAILER COUPLERS

- Perfect for safe towing of 1-7/8" and 2" trailers
- Built to the highest industry standards: tested and certified to meet VESC Reg. V-5, SAE Erg. J-684F
- Includes safety pin and safety chain to secure the ball clamp in a locked position
- The quick release assembly allows for fast and safe locking and unlocking of the ball clamp for convenient hook-up and disconnect

NTP/STAG NO.	MFG. NO.	BALL SIZE	INSIDE WIDTH	MAX GROSS TRAILER WEIGHT
15-1580	87070	1-7/8"	2"	2,000 lbs. (908kg)
15-1581	87071	1-7/8"	2-1/2"	2,000 lbs. (908kg)
45-0048	87072	1-7/8"	3"	2,000 lbs. (908kg)
14-1091	87073	2"	2"	3,500 lbs. (1,589kg)
14-1093	87074	2"	2-1/2"	3,500 lbs. (1,589kg)
14-1099	87075	2"	3"	3,500 lbs. (1,589kg)
14-1103	87076	2"	3"	3,500 lbs. (1,589kg)



87072

87076

NTP/STAG NO.	MFG. NO.	COUPLER REPAIR KITS
14-1109	87082	Coupler Repair Kit for 1-7/8" Couplers (2,000 lbs.; 908kg)
14-1111	87083	Coupler Repair Kit for 2" Couplers (3,500 lbs.; 1,589kg)
14-1112	87084	Coupler Repair Kit for 2" Couplers (6,000 lbs.; 2,724kg)

## A-FRAME TRAILER COUPLERS

- Designed to be welded to trailers with 50 degree angle trailer frames
- Rated at SAE Class III and IV applications
- Includes a jack mount hole for easy installation
- Many include a chain to eliminate loss of the safety pin

NTP/STAG NO.	MFG. NO.	DESCRIPTION
15-1582	87077	2" A-Frame Coupler with Chain, 5000 lb.
14-1105	87079	2" A-Frame Coupler, Flat Lock, 5000 lb.
14-1107	87080	2-5/16" A-Frame Coupler, 10,000 lb.
14-1108	87081	2-5/16" A-Frame Coupler, 14,000 lb.

*Note: weight rating is limited to Vehicle Tow Rating; see Vehicle Owner's Manual.*



87079

87077

87080, 87081

## PIN COUPLER LOCK



Security for your trailer, both on and off the hitch. Weather-resistant. 5-pin, pick-resistant tumbler lock. Solid die cast and brass plated with chrome plated steel holding pin, springs and tumblers. No holes to drill. Key will remove at every quarter turn. Will work on A-Frame couplers. Includes 2 keys.

20-0606 38958 Coupler Lock, 1/card



## HITCH BOX ACCESSORIES

### 1-1/4" - 2" HITCH BOX ADAPTER

1-1/4" to 2" Hitch Box Adapter lets you install 2" accessories into a 1-1/4" hitch box.

14-1117 32848 1-1/4" to 2" Hitch Box Adapter

### 2" - 1-1/4" HITCH BOX ADAPTER

2" to 1-1/4" Hitch Box Adapter lets you install 1-1/4" accessories into a 2" hitch box.

14-1114 32849 2" to 1-1/4" Hitch Box Adapter

### 2" HITCH BOX EXTENSION

2" Hitch Box Extension lets you extend a 2" hitch box an additional 12".

14-1116 32850 2" Hitch Box Extension



## LOCKING RECEIVER PINS



Trailer Hitch Pin; Bent Pin. Locking with dust cap.

20-0558 34819 Locking Receiver Pin  
1/2" D x 3-1/4" L Class I & II  
Will fit 2" Receiver

20-0543 34818 Locking Receiver Pin  
5/8" D x 3-1/4" L Class III/IV  
Will fit 2-1/2" Receiver

## HITCH PINS



Replacement pin and clip, spring clip only or hitch pin only.

15-1492	34521	1/2" Pull Pin & Clip
15-1472	33792	Spring Clip
14-1195	34853	Spring Clip 2pk
15-1474	33253	Hitch Pin Only
15-1473	33790	Pin & Clip
15-1569	33791	Pull Pin Only

## RECEIVER CAPS



Durable plastic receiver caps protect and conceal receiver opening when not in use.

14-0980	38446	2" Pinned, Black
14-0979	38445	2" Pinned, Chrome
14-0978	38444	1-1/4" Push-in, Black
14-0977	38443	2" Push-in, Black

## FOLDING TOW BAR

The Husky Folding Tow Bar features a streamlined appearance and heavy-duty construction with adjustable arms.

- Lightweight
- Easy installation and use
- Tow bar mounting brackets bolt securely to the vehicle bumper or frame attachment points
- Connects and disconnects easily from the bumper mounting brackets
- Safety chain loop attachments placed near the coupler and mounting bracket positions make for easy hook-up
- The quick-latch coupler fits 2" trailer balls

14-1049 30508 Tow Bar



Assembled



13818



17929

## MAGNETIC TOWING LIGHTS

The Husky towing lights have 35% more holding power and larger magnets than competitive models.

- Includes plug cover to keep dirt and corrosion out
- Magnets come with an e-coated magnet cap to eliminate rust
- Wired to industry standard 4-way flat connector
- Includes tow vehicle hook-up plug and long 20' cord

18-0636	17929	Magnetic Towing Lights
18-0363	13818	Magnetic Towing LED Lights



**GOOSENECK FOLDING BALL PLATFORMS**



Keep the bed of your truck free for any use with this versatile cam-over locking ball plate. Ball stores under bed of truck, leaving the bed free of obstructions. Features a 2-5/16" hitch ball with 25,000 lb. GTW capacity and 5,000 lb. TWC. Includes safety chain openings. Requires a hole to be cut in the bed of the truck. Installation kit required.

14-0994 31821 Folding Ball Hitch



**5TH WHEEL KING PIN LOCK**

Protect your fifth wheel with the Husky King Pin Lock. Just slide the U bracket into the grooved portion of the king pin and insert the lock pin.

20-0600 38790 Fifth Wheel Lock

**GOOSENECK FIXED BALL PLATFORMS**

Ideal for trucks that tow Gooseneck trailers (livestock and equipment trailers). Include safety chain attachments and a 2-5/16" ball. Base rails sold separately. 25,000 lb. capacity.

14-1143 31368 Hitch Ball Platform  
14-1249 30686 Base Rails



**OEM 30K GOOSENECK TRAILER BALL**

Gooseneck Trailer Hitch Ball; Use With Ford, Ram, GM & Nissan OEM Towing Package; 2-5/16" Ball Fits Most Gooseneck Hitches. Easy Installation. 30,000lb. Towing Capacity / 7,500lb. Tongue Capacity. Meets SAE J2638 Gooseneck Standards. Chrome-plated. Made from 100% Heat Treated Alloy Steel for Superior Strength.

71-5217 33055 OEM Ball



**FORD & RAM OEM 30K GOOSENECK TRAILER BALL**

Gooseneck Trailer Hitch Ball; Use With Ford and Ram OEM Towing Package; 2-5/16" Ball Fits Most Gooseneck Hitches. Easy Installation. 30,000lb. Towing Capacity / 7,500lb. Tongue Capacity. Meets SAE J2638 Gooseneck Standards. Chrome-plated. Made from 100% Heat Treated Alloy Steel for Superior Strength.

71-5177 33001 Ford/RAM Ball

**FIFTH WHEEL LUBE DISCS**

Acts as a cushion and a vibration barrier between your hitch head and the RV. It can also prevent scratches to the hitch head and make coupling to the trailer a little smoother. The easy way to prevent friction without grease! Just slip the Fifth Wheel Lube Disc onto the pin; fits all types of fifth wheel trailers.

14-0974 33862 Lube Plate, 8"  
14-0976 34914 Lube Plate, 10"  
14-0973 32256 Lube Plate, 12"







**SUPER BRUTE & BRUTE SERIES POWER JACKS**

Brute was the first jack in its class to offer a ball screw for low rolling friction, compared to the sliding friction of standard power jacks. Rolling friction means the motor works less, draws less amperage, creates less heat, reduces noise and increases motor and jack life. The ball screw shown here is standard in all Brutes except the HSB5000R which uses a hi-capacity ball nut.

**SUPER BRUTE SERIES**

15-1460	82084	HSB4000	4,000 lbs.
15-1459	82022	HSB5000R	5,000 lbs. with Remote

**BRUTE SERIES**

15-1462	87248	HB3000	3,000 lbs.
15-1461	87247	HB4500	4,500 lbs.
15-1463	87641	HB4500R	4,500 lbs. with Remote

The Smart Stop feature prevents damage by electronically stopping the travel at the end of the stroke. Prevents stalling and adds longevity to the system. Brute Jacks with remote control, HB4500R and HSB5000R, let you operate the jack from inside while leveling your refrigerator! Remote makes leveling more convenient. Also assists in hitching and unhitching.

Advanced 20mm Ball Screw design provides superior lifting capacity, reduces friction, amperage draw and motor wear.



75203

82022



Weather-protected, soft-trigger switches with back-lit panel.



Hi-capacity ball nut in HSB5000R gives 33% increase in rated capacity

**A-FRAME TOP-WIND & SIDE-WIND JACKS**

Designed in two styles, top-wind and side-wind, for use with all A-frame trailers. Includes mounting brackets for easy bolt-on or weld-on mounting through A-frame mounted couplers. Available in a variety of weights (up to 5,000 lbs.) and adjusts (up to 14-7/8") to meet all trailer needs. Durable powder coat finish and zinc plating. Handles need assembly.

15-1584	30774	Top-wind, 1,000 lbs.
14-1071	88126	Top-wind, 1,000 lbs., Bulk
15-1585	30775	Top-wind, 2,000 lbs.
14-1075	88127	Top-wind, 2,000 lbs., Bulk
15-1567	30780	Top-wind, 5,000 lbs.
14-1076	88128	Top-wind, 5,000 lbs., Bulk
15-1568	30781	Side-wind, 1,000 lbs.
14-1077	88129	Side-wind, 1,000 lbs., Bulk
15-1586	30782	Side-wind, 2,000 lbs.
14-1078	88130	Side-wind, 2,000 lbs., Bulk
71-5272	88131	Side-wind, 1,000 lbs., Jack Cap
71-5273	88132	Side-wind, 2,000 lbs., Jack Cap



Zerk fitting provided for convenient lubrication

**SIDE-WIND SWIVEL JACK**

Fits tongues up to 3" thick x 3" - 5" height with 10" total travel. Zinc plated finish, heavy duty pivot joint. Side crank with heavy screw drive and ergonomic handle grip. Heavy-duty poly-propylene wheel. Pivots up for towing, down for stowing!

Some assembly required, with all mounting hardware included. 3 year limited warranty.

15-1561	30655	Side-wind, 1,000 lbs
---------	-------	----------------------



Zerk fitting provided for convenient lubrication





## BRUTE SUPER FOOT



Retractable jack extension increases trailer jack tube reach by 7" and greatly reduces cranking for set up and hitching. Large foot plate features plenty of surface area for stability. Installation is quick and easy with no drilling required. Works with all standard manual and electric jack posts with 2" or 2-1/4" tubes. 6,500 lbs. capacity. 2 year warranty.

15-1455 31610 Super Foot  
19-3836 82030 Black Nylon Bushing 2pcs.

## FIFTH WHEEL STABILIZERS



Allows fine adjustment of king pin cup height up to 4-1/2".

Reduces side-to-side and fore-to-aft movement of parked 5th wheels. Legs adjust to fit king pin heights from 34 to 56" (adjustable stabilizer) or 33 to 55" (non-adjustable stabilizer). Chain with S hook for quick and easy adjustments. Adjustable stabilizer features an adjustable, lockable hitch cup to fine-tune the height for a perfect fit and help prevent theft. Both have a maximum vertical load rating of 5,000 pounds. No tools required! Assemble feet and legs with lynch pins.

15-1535 75203 Adjustable  
15-1559 76942 Non-Adjustable

## WHEEL CHOCKS



High impact cross ribbed plastic. Brightly colored for safety.

15-1566 95036 6 Pack  
15-1565 38511 2 Pack

## ECONOMY SLIDEOUT STABILIZERS



Reduce the rocky motion of your vehicle when camping. Helps prevent wear and tear, and costly slideout frame repairs. Easy to operate; no assembly required. Heavy-duty steel construction. Durable powder coat and zinc finish. Includes a 6" footpad. 2/box.

15-1468 81079 16.5" - 29.25"  
15-1469 81080 20.75" - 38.28"  
15-1470 81081 26.5" - 49.25"

## SCISSOR JACKS



## TELESCOPIC STABILIZER JACKS



Ideal for motorhomes, 5th wheels and travel trailers. Zinc-plated inner tube and screw assembly. Adjusts 16" to 30". Quick and easy pull-pin for 8" of telescopic adjustment, plus 7" of additional screw adjustment. Steel. 7,500 lb. load capacity. 2/box.

15-1494 70564

## DRILL SOCKET ADAPTER



With the use of the Husky 3/4" Drill Socket Adapter, you can speed up the extending and retracting of your scissor jacks when combining the adapter with a 3/8" or larger drill motor. The Husky 3/4" Drill Socket Adapter will work on all brands of scissor jacks with a 3/4" hex drive nut.

- Allows faster raising and lowering of scissor jacks
- Fits all 3/4" hex drive jacks
- Durable, non-corrosive construction
- Made of steel with zinc plating
- Fits 3/8" and larger drill chucks

14-1068 88120 Socket Adapter



## SCISSOR JACKS

Our scissor jacks stabilize and level your travel trailer or fifth wheel. Universal design of sturdy steel construction fits most RVs. Permanently mounted jacks are conveniently concealed when not in use. Includes hardware, and instructions. Can be welded on. Easy installation. 20 sq. inch base plate. Rust resistant black e-coating. 2 year warranty. \*Easy-to-use swivel handle included.

15-1558 76862\* 24", 7,500 lbs., 2/box  
15-1578 72139\* 24", 7,500 lbs., 1/box  
71-5271 88125\* 30", 5,000 lbs., 1/box  
71-5270 88124\* 30", 5,000 lbs., 2/box  
71-5268 88122 Economy 24", 5,000 lbs., 1/box  
14-1712 88121 24", 5,000 lbs., 2/box  
14-1875 88134 20", 5,000 lbs., 2/box  
15-1541 76850 Speed Handle For 7,500 lbs. Jack  
71-5269 88123 Speed Handle For 5,000 lbs. Jack  
14-1196 71195 Screw Kit, 8 Pkg.



**EASY-PULL™ 4-FLAT CONNECTORS**

**NEW**

**Easy-Pull™  
Innovation**



*Patent Pending*



- Hassle-free connection and disconnection
- Most intuitive by incorporating an ergonomic finger pull
- Easiest to use in all environments
- 3 year warranty

71-5223	33062	4 Flat Vehicle Side (48")
71-5224	33063	LED 4 Flat Vehicle Side (48")
71-5225	33064	4 Flat Trailer Side (12")
71-5226	33065	LED 4 Flat Trailer Side (12")
71-5221	33060	4 Flat Extension (48")
71-5227	33066	LED 4 Wire Flat Extension (12")

**MULTI-TOW® 7 BLADE AND 4 FLAT**



**NEW**

*Patented*

- Multiple towing options from one connector
- Connects to your vehicle's OEM tow package
- Exact OEM replacement for enhanced fit and maximum weatherproofing
- Applies to over 18 different vehicle Makes equipped with a factory tow package
- High impact, ABS plastic construction

71-5220	33059	MT 7 Blade & 4 Flat 1/card
71-5233	33072	MT 7 Blade & 4 Flat Bulk

**ENDURANCE™ MULTI-TOW® 7 BLADE & 4 FLAT GM TWIST-MOUNT**

*Patented*



- Impact and corrosion resistant
- Applies to over 30 different vehicle applications
- Utilizes OEM connectors to create an exact fit and maximum weatherproofing
- Endurance design feature ensures years of trouble-free use.
- Multi-Tow® provides multiple towing options from one connector

71-5218	33057	MT 7 Blade & 4 Flat 1/card
---------	-------	----------------------------

**MULTI-TOW® 7 BLADE AND 4 FLAT**



**NEW**

- Illuminates on taillight function to verify electrical continuity
- Assists in confirming your trailer connection

71-5229	33068	LED 7 Blade Trailer1/card
---------	-------	---------------------------

**ENDURANCE™ MULTI-TOW® BLADE AND 4 FLAT VEHICLE CONNECTOR (4-HOLE MOUNT)**

**NEW**



- Plug-In Simple! No cutting, No splicing, Saves time
- Connects to vehicle's OEM tow package connector
- Applies to over 26 vehicle makes and 70 models
- Easy-open, weatherproof lid with rugged, oversized hinge allows lid to open 180 degrees
- Impact and corrosion resistant
- Mounting hardware included
- 3 year warranty

71-5219	33058	MT 7 Blade 4 Flat 1/card
---------	-------	--------------------------

**NITE-GLOW™ 7 BLADE TRAILER END**

**NEW**



- Illuminates on taillight function to verify electrical continuity
- Assists in confirming your trailer connection

71-5228	33067	NG 7 Blade Trailer 1/card
---------	-------	---------------------------

**ENDURANCE™ MULTI-TOW® 4 FLAT TO 7 BLADE AND 4 FLAT**

**NEW**



- Multi-Tow® provides multiple towing options from one connector
- Provides sockets for both 7 blade and 4 flat trailers
- Allows existing vehicle end 4 flat to adapt to a 7 Blade
- Easy-open, weatherproof lid with rugged, oversized hinge allows lid to open 180 degrees
- Impact and corrosion resistant
- Mounting bracket and hardware included
- 3-year warranty

71-5222	33061	MT 7 Blade & 4 Flat 1/card
---------	-------	----------------------------



## 7-WAY TRAILER END WIRING KIT



Heavy-duty rubber trailer connectors fit with thermoplastic or metal 7-way car end connectors. Primary wire gauges are 10-gauge (black, white), 12-gauge (blue), 14-gauge (brown, red, green, yellow).

19-3366 19356 With 8' Cable  
19-3365 19430 With 12' Cable

## 7 RV BLADE TO 6 POLE ROUND ADAPTER



Includes dust cover. Easy-pull grip and corrosion resistant tin-plated terminals. Universal center pin can be switched to auxiliary or electric brake.

19-3212 30314 Center Pin Auxiliary

## 7 RV BLADE TO 4 WIRE FLAT ADAPTER



Ergonomic one-piece design enhances weatherproofing. Includes dust cover. Impact and corrosion resistant.

19-3208 30313

## 4-WIRE FLAT TO 7-WAY BLADE ADAPTER



Take the guesswork and frustration out of vehicle-to-trailer wiring. Pre-wired adapters give you a means to create a custom wiring system.

19-3699 13166 Plastic, Each

## 4 WIRE FLAT EXTENSION



Extends wiring system 12" - 18" for more flexibility. Passes through vehicle ground.

19-3230 30170 18"L,Bulk  
19-3853 30280 12"L, 1/card  
19-3218 30312 12"L,Bulk

## 6 POLE ROUND TO 7 RV BLADE ADAPTER



Die-cast zinc for durability (6 pole round). Flexible wire provides extra reach. Corrosion resistant terminals.

19-3703 30693 6 Round to 7 Blade

## FIFTH WHEEL HARNESSSES



Easily route towing electrical functions into the truck bed for 5th wheel trailers, while retaining electrical functions at the rear of the vehicle. Fits Chevy/GMC, Ford, Dodge/Ram, Nissan, and Toyota trucks.

19-3203 30342 5th Whl. Harness  
19-3204 30345 5th Whl. Harness  
19-3202 30392 5th Whl. T-Connector

## 7-WAY RV BLADE TRAILER CONNECTOR END



Vehicle side socket (car end) is impact and corrosion resistant. Trailer side plug is also impact and corrosion resistant, with easy-pull grip design. Both ends have rear grommet/strain relief for weatherproofing.

19-3232 30015 Car End, 1/card  
19-3236 30135 Trailer End, 1/card  
19-3238 30140 Trailer End, Bulk

## 7-WAY RV BLADE PLASTIC TRAILER CONNECTOR CAR END



Vehicle side socket, impact and corrosion resistant. Rear grommet/strain relief for weatherproofing.

19-3247 32576 Bulk

## 4-WIRE FLAT TRAILER CONNECTORS



A 4-wire flat is the most commonly used trailer plug. This plug is found on small boat, utility, jet ski, snowmobile and small camper trailers.

19-3193 13190 Car End, 12"  
19-3194 13191 Car End, 48"  
19-3196 13192 Trailer End, 12"  
19-3197 13193 Trailer End, 48"

## 6-WAY & 7-WAY BRACKETS



Works with all 7 RV blade vehicle end sockets.

19-3242 30176

## CONNECTOR MOUNTING BRACKETS



19-3866 works with various 4, 5 & 6 Pole Round vehicle end sockets. 19-3867 and 19-3250 works with all 7 RV Blade vehicle end sockets. Fits Multi-Tow® and Endurance™ 6 Pole Round vehicle end sockets.

19-3866 32563 1/card  
19-3867 32581 1/card  
19-3250 32582 Bulk

## UNIVERSAL MOUNTING BRACKET

**NEW**



Works with all 7 RV Blade vehicle side connectors. Fits Multi-Tow® and Endurance™ 6 Pole Round vehicle side connectors. Slotted bracket for easy prewired installation

71-5230 33069 Universal Bracket 1/card

## QUICK-LOCK DIODES™

**NEW**



Saves installation time over traditional diode blocks. Integrated quick-splice. 5 amps capacity. Enhanced weatherproofing (grease packet included)

71-5231 33070 Quick Lock Diodes 4/card  
71-5232 33071 Quick Lock Diodes 1/card







**6-WAY ROUND PLASTIC TRAILER END CONNECTOR**



Impact and corrosion resistant. Weatherproof rubber boot protects back of connector.

19-3245 32577 Connector 6Way Plast Car End

**6-WAY ROUND METAL TRAILER CONNECTOR END**



Die-cast zinc for durability. Impact and corrosion resistant.

19-3864 32571 Connect 6Way Zinc Trl End Cd/1

**7-POLE ROUND CAR END (METAL)**



Heavy-duty die-cast zinc design. Impact and corrosion resistant.

19-3860 30465 7 Pole Rd Car End (Metal)

**7-WAY RV BLADE TRAILER END CONNECTOR (METAL) WITH BRACKET**



Ergonomic pistol grip for easier handling. Ultimate weatherproofing protects connection. Includes terminal grease, mounting bracket & hardware. Die cast housing for durability.

19-3241 30499 7RV Trailer End Conn (Metal)

**FORD/CHEVY/GMC OEM REPLACEMENT**



Compatible with Ford, GM and other popular tow vehicles. Plug-In Simple!® for quick and easy installation or replacement. Durable lid opens 180 degrees. Ultimate weatherproofing. 3-yr warranty.

19-3200 30175 Socket Uscar 7-Way

**MULTI-TOW™ 7 RV to 6 & 4 ADAPTER**



13176

7-way RV blade to BOTH 6-round and 4-wire flat adapter with dust cover. On 13176, the center pin is auxiliary, and the universal center pin can be switched to electric brake. On 13177, the center pin is for the electric brake, and the universal center pin can be switched to auxiliary.

19-3701 13176 7 to 6&4 Multi-Tow  
19-3702 13177 7 to 6&4 Multi-Tow

**MULTI-TOW™ 7:4 ADAPTER**



Provides 7-way RV blade or 4-wire flat towing, both from one location. Weatherproof design. Plugs into a 4-wire flat on the tow vehicle.

19-3187 13165 4 to 7:4 Multi-Tow Harness

**MULTI-TOW™ 7:4 ADAPTER**



Provides 7-way RV blade or 4-wire flat towing, both from one location. Weatherproof design. Plugs into a 7-pole on the tow vehicle. Mounting bracket and hardware included.

19-3186 13092 7 to 7:4 Multi-Tow Adapter

**MULTI-TOW™ CONNECTOR 7 RV BLADE, 5 & 4 WIRE FLAT**



Provides multiple towing options from one connector. Reinforced easy-grip lid opens 180° for easier connections. Internal seals for weatherproofing. Long life oversized hinge. Mounting bracket, hardware and terminal grease packet included. 3-yr. warranty.

19-3858 30498 7 to 4&5 Flat Multi-Tow Adapter

**MULTI-TOW™ 7:4 ADAPTER**



Provides 7-way RV blade or 4-wire flat towing, both from one location. Weatherproof design. Mounting bracket and hardware included.

19-3201 17363 Husky Multi Tow 7:4 OEM Repl

**MULTI-TOW™ ADAPTER, 7 RV BLADE TO 6, 5 AND 4 WAY**



Patented Quick-Change™ plug quickly accommodates both 6 pole wiring codes. Multi-Tow® Adapter provides four different trailer towing options from a single device. Overbuilt hinge, lid, and connector housings provide maximum durability. Impact and corrosion resistant. Tin-plated terminals with terminal grease packet provided. Plug-In Simple!® eliminates rewiring vehicle or trailer. No cutting, no splicing.

19-3213 30484 Adapter 7Rv To 4&5 Flat W/Led

**ENDURANCE FORD/ =CHEVY/GMC OEM REPLACEMENT RV BLADE CONNECTOR**



Professional grade 7-way premium car end is compatible with Ford, GM and other popular tow vehicles. Plug-In Simple!® for quick and easy installation or replacement. Durable lid opens 180 degrees. Ultimate weatherproofing.

19-3243 32564 Connect 7Way Prem Car End

**ENDURANCE TWIST MOUNT 7 RV BLADE CONNECTOR**



The Endurance Twist-Mount 7 Blade Connector is compatible with current GM tow vehicles. Incorporating Endurance design features enables this connector to last for years of trouble-free use. Exact O.E.M. fit. Plug-In Simple!® for quick and easy installation or replacement.

19-3199 31625 Husky 7Rv W/Gm Twist Loc





**HARNESS ADAPTER:  
DODGE / CHRYSLER /  
JEEP OEM  
QUICK-INSTALL™  
WIRING KIT**



Allows for Dodge trucks to adapt to the Quick-Install™ 7 RV Blade. Reinforced lid opens 180 degrees to prevent breaking. Ultimate weatherproofing.

19-3205 30406 Harness Adapter 7Way

**4-WAY ROUND METAL  
TRAILER CONNECTOR END**



Die-cast zinc for durability. Impact and corrosion resistant.

19-3863 32579 Connector 4Way Chr Car End  
19-3868 32566 Connector 4Way Zinc Car End

**CONNECTOR ADAPTERS**

Take the guesswork and frustration out of vehicle-to-trailer wiring with Husky Connector Adapters.



19-3189 13170 7Blade To 4Flat Adapt



19-3190 13173 4Rd To 4Flat Adapt



19-3700 13168 6Rd To 4Flat Adapt



19-3191 13064 7RV Blade To 7Pin Adpt

**7-WAY RV BLADE METAL  
TRAILER CONNECTOR**



Trailer side plug is made with aluminum housing and corrosion resistant terminals. Vehicle side socket has corrosion resistant terminals and aluminum housing.

19-3249 32575 7Way Met Trl End Cd/1  
19-3865 32427 7Way Metal Trl End Bulk

**FLEX ADAPTER,  
6 POLE ROUND  
TO 4 WIRE FLAT**



LED test lights verify electrical continuity. Flexible wire provides larger turning radius. Dust cover and grease packet protect terminals.

19-3844 30466 Flex-Adpt 6Rd To 4 Flat W/Led

**FLEX ADAPTER,  
7 RV BLADE  
TO 4 OR 5  
WIRE FLAT**



Provides for flexible reach. Includes function testing LEDs and easy-pull grip design. Dust cover and protected wire for added durability.

19-3845 30468 Flex-Adpt 7RV to 4 Flat w/Led  
19-3846 30473 Flex-Adpt 7RV to 5 Flat w/Led

**PLUG-IN SOLUTION®  
LED ADAPTER**



Husky's LED vehicle-to-trailer adapter series incorporates built-in trouble-shooting. If the trailer lights are not functioning correctly, you can isolate the problem by simply looking at the adapter. If the lights on the adapter are functioning, it's a trailer-side problem. If the lights are not functioning, the problem is with the vehicle.

19-3188 15174 Adapter 7Rv Blade To 4Flat Led

**FLEX-COIL™ ADAPTER  
WITH NITE-GLOW™**



Flex-Coil adapters provide increased durability and additional length when needed to reach the tow vehicle's socket and the trailer/towed vehicle's plug. Flex-Coil adapters with Nite-Glow™ illuminate upon activation of the taillight function, so you can find the electrical connection in the dark and show that the vehicle's trailer wiring system is functioning properly. 7 RV BLADE TO 4 WIRE FLAT 15181 has a 3' stretch and features increased weatherproofing, tin plated terminals, easy grip connectors and heavy duty cable.

19-3206 15181 Flex Coil Adapter W/Nite-Glow

**7 RV BLADE TO 4 POLE OR  
6 POLE ROUND**



Nite-Glow™ illuminates on taillight function verifying continuity. Stretches to 8 feet. Easy-grip, heavy-duty connectors with heavy-duty cable. 3-yr. warranty.

19-3842 30500 7RV Male To 4Rd Male Flex Adpt  
19-3843 30501 7RV Male To 6Rd Male Flex Adpt

**HUSKY 2 POLE IN-LINE SET**



Contains matched set positive/negative male and female connectors. Corrosion resistant tin-plated terminals and rear protective boot. Easy install to rear of connector. 5/16" distance between terminals. Allows for any length wires to be attached and set in protective rubber boot. Commonly used on 12-volt accessories.

19-3850 30258 Connector 2-Pin Round

**7-WAY BLADE RECEPTACLE ADAPTER**



Adapts 7-Way Blade (RV) to 5-Way and 4-Way Flat.

19-3838 14437 Adapt Multi Tow 7 to 5 4





### 7 RV BLADE TO 5 WIRE FLAT ADAPTER



Impact and corrosion resistant. For use with marine trailers equipped with surge brakes. Includes dust cover. Enhanced weatherproofing.

19-3209 30692 Adapter 7Rd Blade To 5Flat

### 7 POLE ROUND TO 4 WIRE FLAT ADAPTER



Impact and corrosion resistant. Easy-pull grip design. Includes dust cover.

19-3210 30341 Adapter 7Round-4Flat

### 6 POLE ROUND TO 4 WIRE FLAT ADAPTER



Includes dust cover. Impact and corrosion resistant. Easy-pull grip design.

19-3207 30315 Adapter 6Round To 4Flat

### SPECIALTY ADAPTER EXPANSION



15253



15258

Eliminates rewiring vehicle or trailer.

**7-Pin to 7RV Adapter**—Designed for tow vehicles with a 7-pin connector and adapts to trailers equipped with a 7RV Blade connector. Flexible wire provides extra reach. Easy grip design.

**7-Pin to 6-Round Adapter**—Designed for tow vehicles with a 7-pin connector and adapts to trailers equipped with a 6-way round connector. Easy grip design.

19-3211 15253 Adapter 7Pin To 7RV  
19-3847 15258 Adapter 7Pin To 6 Round

### 4 WIRE FLAT TESTER KEYCHAIN

LED indicator lights test left/right turn, brake and taillight. Red LED lights will glow if connection is correct when the function is activated.



02-0049 30178 Circuit Tester 4Way Flat

### 3 POLE FLAT EXTENSION



Multi-use, male and female connectors. 2 function wires with 1 ground wire. 12" length.

19-3840 30311 Connector 3-Way Flat Bulk  
19-3839 30268 Connector 3-Way Flat Pak/1

### 5 WIRE FLAT EXTENSION



Corrosion resistant terminals. For use with marine trailers equipped with surge brakes. 48" length.

19-3215 30427 Connector 5Way Flat 48In Led

### 2 POLE FLAT EXTENSION



For use with 12-volt accessories, this wire can be cut to provide 2 replacement plugs or a plug-in connection for a hardwired accessory. Connector is 12" length with corrosion resistant terminals. Red/white.

19-3192 30310 Connector 2-Way Flat Bulk  
19-3217 30259 Connector 2-Way Flat Pak/2

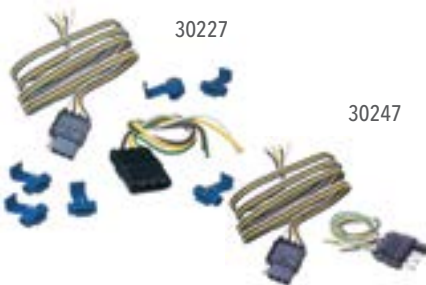
### QUICK-FIX™ FLAT TRAILER CONNECTOR SET



Repairs/replaces damaged 4-flat. Matched set (vehicle and trailer). No external splices to create corrosion point. Easy to install: just cut off damaged 4-wire flat, insert wires into Quick-Fix Flat, compress internal splices, connect vehicle to trailer AND GO!

19-3198 15180 Quick Fix 4-Wire Flat Set

### 4 WIRE FLAT SET (48 VEHICLE END, 12" TRAILER END)



30227

30247

48" vehicle and 12" trailer end with corrosion resistant terminals. Wire functions are printed on wire for easy reference. Ridges on body provide extra grip. Meets SAE standards.

19-3854 30227 Connector 4Way Flat 56" Kit  
19-3231 30247 Connector 4Way Flat 60" Kit

### 5 WIRE FLAT VEHICLE END



• 48" length. • 5th wire provides back-up function on boat trailers releasing the surge brakes. • Industry's best, 3 year warranty. • Maximum durability, superior ergonomics. • Easy-pull grip ease in connecting and disconnecting. • Heavy duty connector housings with built-in mounting holes. • Protective nylon wire sleeving and heat-shrink tubing. • Includes molded-in dust cover, grease packet, and ground screw provided.

19-3848 30485 5 Wire Flat Vehicle End

### 5 WIRE FLAT TRAILER END



• 18" length. • 5th wire provides back-up function on boat trailers releasing the surge brakes. • Industry's best, 3 year warranty. Maximum durability, superior ergonomics. • Easy-pull grip. Heavy duty connector housings with built-in mounting holes. • Includes trailer side molded-in dust cover and grease packet. • Protective nylon wire sleeving and heat-shrink tubing.

19-3849 30486 5 Wire Flat Trailer End

### 4 WIRE FLAT VEHICLE END



48" length. Includes terminal grease and ground screw. Ergonomic grip for easier handling. Superior weatherproofing and durability.

19-3851 30487 4 Wire Flat Vehicle End

### 4 WIRE FLAT TRAILER END WITH Y-HARNESS



20 ft length wiring kit for re-wiring or new installs on trailers. Wishbone design allows for the taillight brown wires to extend to both taillights. Easy-pull grip for connecting/disconnecting. Heavy duty connector housings have built-in mounting holes. Protective nylon wire sleeving, heat-shrink tubing, and serrated ground terminal for proper grounding. Includes molded-in dust cover and grease packet. Corrosion resistant tin-plated terminals. Function printing on color-coded wires.

19-3855 30496 4 Wire Flat Trl End W/Y-Harnes





## POWER TAILLIGHT CONVERTERS

These units completely isolate the tow vehicle from trailer malfunctions. Power is taken directly from the battery for isolation and brighter trailer taillights. Each unit can power up to 3 sets of stop/turn signals (8.0 amps) on the trailer. For vehicles equipped with independent bulb turn signals and brake lights or common bulb systems.



**POWER TAILLIGHT CONVERTER (RELAY SYSTEM)**  
Provides isolation needed to bypass sensitive vehicle electronics. Can power up to 8.0 amps per output.

17-0644 13162 Pwr Taillight Conv Husky



**SHORT-PROOF POWER TAILLIGHT CONVERTER**  
Recommended universal converter application. Short circuit protected. Can power up to 8.0 amps per output. Protects tow vehicle electronics and itself from wiring shorts. Self-resetting.

19-3698 13163 Short Proof Pwr Conv Husky

## LED BREAK-AWAY SWITCH



LED verifies 12-Volt power is being transferred to the trailer brakes. • Durable pin and vehicle hook-up cable. • Weatherproof design.

14-0982 30462 Led Breakaway Switch, Bulk

## BREAK-AWAY SWITCH (44" WIRES)



Durable pin and vehicle hook-up cable. Mounting bracket attached. Plunger grommet creates secure fit.

14-0981 30457 Brake-Away Switch, Bulk

## ELECTRONIC TAILLIGHT CONVERTER



Electronic taillight converters adapt an independent bulb taillight system of the tow vehicle to the common bulb taillight system of the trailer. Each unit can power 2.1 amps per stop/turn signal.

**TAILLIGHT CONVERTER, 48"**  
For repairing damaged taillight converter.

17-0687 13186 Tail Light Conv Husky

**VEHICLE TOWING VEHICLE TAILLIGHT ISOLATING KIT**  
Permanently installs on towed vehicle near taillights

19-3841 13189 Tail Light Conv Husky

## LED COMPATIBLE TAILLIGHT CONVERTER



72" long electronic taillight converter adapts tow vehicle's taillight system to the trailer's. Powers up to 2.1 amps per output. Double-molded weatherproof design, includes dust cover. Converter mounts in trunk out of harm's way. Corrosion resistant terminals. Compatible with LED lights on vehicle.

17-0658 30428 Tail Light Conv Husky

## CUSTOM WIRING HARNESES FOR BRAKE CONTROLS

For the Husky Quest®, Escort® Digital and Ascend. These fit all Husky brake controls that have a similar shaped plug. Simply attach the adapter to the Husky brake control. The safest/easiest way to wire a brake control to your tow-prepped vehicle. Clamshell packed.

For a complete list of vehicle applications, see [HuskyTow.com](http://HuskyTow.com).



<b>DODGE</b> 2010-12 Ram Pickups	17-0671	31870	B/C Harness Dodge
<b>DODGE</b> 2013-14 Ram 1500 Pickups w/tow pkg	17-0673	32080	B/C Harness Dodge
<b>DODGE/CHRYSLER</b> 1995-09 Ram Pickups w/tow pkg; 1997-2011 Dakota; 1998-2009 Durango w/tow pkg	17-0649	31687	B/C Harness Dodge
<b>DODGE/JEEP</b> 2011-14 Durango, Grand Cherokee (w/tow)	17-0713	30011	B/C Harness Durango
<b>FORD</b> 2009-15 F-150; 2012-14 Flex; 2012-13 MKT	17-0710	30009	B/C Harness Ford
<b>FORD</b> 1992-93 F-Series, Bronco	17-0661	31859	B/C Harness T/S Bronco
<b>FORD/LINCOLN</b> 2008-15 F-250/350/450/550; 2009-15 E-150/250/350; 2009-15 E-350/450 RV; 2013 Expedition; 2013-14 Navigator	17-0711 17-0664	30013 31862	B/C Harness Ford B/C Harness T/S Ford
<b>CHEVY/GMC/CADILLAC/HUMMER</b> 2003-2006 Silverado, Suburban/Tahoe, Avalanche, Denali/Sierra, Yukon, Escalade; 2007 Sierra Classic, Silverado Classic; 2003-07 H2; 2005-07 H2 SUT	17-0709 17-0668	31691 31866	B/C Harness GM/Chev B/C Harness T/S GM
<b>CHEVY/GMC/CADILLAC</b> 1999-2002 Silverado; 2000-02 Suburban/Tahoe; 2002 Avalanche; 1999-02 Denali; 2000-02 Denali XL; 1999-2006 Sierra; 2000-02 Yukon/Yukon XL; 2000-02 Escalade	17-0667	31865	B/C Harness T/S GM
<b>GM/CHEVY/BUICK/SATURN</b> 2008-14 Acadia; 2008-14 Traverse; 2008-15 Enclave; 2007-09 Outlook	17-0656	31872	B/C Harness GM
<b>HONDA</b> 2006-13 Pilot; 2006-12 Ridgeline	17-0712	30010	B/C Harness Honda
<b>TOYOTA / LEXUS</b> 2003-13 4-Runner; 2002-12 Sequoia; 2003-14 Tundra; 2005-13 Tacoma; 2003-11, 13 Land Cruiser; 2010-13 GX 460; 2004-10 GX 470; 2008-11, 13 LX 570	17-0653	31697	B/C Harness Toyota
<b>Square to Flat T-Style B/C Adapter</b>	17-0693	31857	T/S B/C Adapter

See [Husky Brake Controllers](#) on pages 37 - 38.



**HUSKY ASCEND® FLEXIBLE MOUNT PROPORTIONAL TRAILER BRAKE CONTROL**

The revolutionary Husky Ascend features flexible mounting, so you can put your brake control components where you want them. The Heads up display can be dash mounted, rear view mirror mounted, or wherever it's convenient for you. The separate control can be placed in a handy location within easy reach. And the Ascend's brain mounts completely out of sight. All three components simply plug in together for the ultimate in flexibility and safety. The Ascend keeps your eyes on the road and controls within reach. Advanced proportional technology gives you ultimate control over your towing experience by mirroring the braking of the tow vehicle. The Ascend's 8 brake capacity means you get short proof protection for up to 8 trailer brakes. Plus you get on-the-fly sensitivity adjustment with 7 settings for different loads and driving conditions. The Husky Ascend is also electric over hydraulic compatible, so it works with electric over hydraulic trailer brakes. Lifetime warranty.

17-0647 31624 Ascend w/ Connector, 8 Brakes

**Ascend BRAIN**

- Inertia activation
- Dual-axis accelerometer braking application, proportional/progressive
- Provides braking even while in reverse
- 8 brakes/4 axles brake capacity
- Flexible mounting capability; can attach to multiple surfaces.
- 360° vertical mounting range
- 10° horizontal mounting range
- Includes quick connect plug
- Small profile mounts under dash



**Ascend MANUAL BRAKE MECHANISM**

- Slide activates brake lights
- Manual slide works with either right or left hand Nite-Glow/back-lit slide, separate from the brain.

**HEADS UP DISPLAY**

- 100% power on activation Ascend
- 2 digit LED braking display is small, sleek, and elegant
- Mounts separate of the brain
- Wires route up to corner of a pillar, so display is at the dash level
- Makes it easier to see without looking toward your knee
- Wires can be hidden from view
- Display is adjustable; orient it based on the vehicle and your height



**HUSKY QUEST® PROPORTIONAL BRAKE CONTROL**

*Advanced Proportional Controller Mirrors the Braking Action of the Tow Vehicle.*



The easy to use Husky Quest requires no leveling and is packed with features to provide the ultimate ease in setting and adjusting for safe, smooth stops. Fully Digital settings for power level (gain) and sensitivity (response) makes this the easiest brake control to set and the most repeatable in use after use. On the fly sensitivity adjustment; 5 preset options for optimal control from the touch of a button. Easiest to adjust settings for full and empty loads time and again. Easy to read digital power scale from 5-to-99. Advanced inertial accelerometer instantly activates brakes. Advanced proportional controller mirrors braking action of the tow vehicle. No pendulum, no problem! Flexible mounting options. 8-brake capacity. Innovative vertical slide is easier to see and use than traditional horizontal slides. Short-proof protected. Lifetime Warranty.

17-0646 31899 Quest Brake Control w Connector , 8 Brakes

**HUSKY ESCORT® DIGITAL TIME-RAMP TRAILER BRAKE CONTROL**

The Husky Escort Digital Brake Control has a large digital readout, and an easy-to-set, easy-to-adjust power setting. The Escort Digital also has an innovate vertical slide for manual braking. The display indicates the exact braking force as a percentage of full power. Its simple, plug-in connector allows for instant connects and disconnects to your factory tow package with the use of the appropriate custom wiring harness (not included; see the Custom Wiring Harness page). You can mount the Escort Digital in any position vertically or horizontally. The Escort Digital has a 6-brake capacity, and is short-proof protected. It activates upon depression of the tow vehicle brake pedal. Limited lifetime warranty. Use appropriate wiring harness for quick brake control installation.



17-0688 31898 Escort Brake Control w/ Connector , 6 Brakes

**HUSKY ESCORT® DIGITAL TIME-RAMP TRAILER BRAKE CONTROL**

Husky's economical Escort Brake Control has a 6-brake capacity and an innovative vertical slide for manual braking. Its multi-color LED display changes color with braking power, to help you set the right braking power. You can mount the Escort in any position vertically or horizontally. The Escort is short-proof protected. It activates upon depression of the tow vehicle brake pedal. Limited lifetime warranty.



17-0645 31555 Escort Brake Control w/o Connector , 6 Brakes r





## HUSKY® BRAKE CONTROL SPECIFICATIONS



MODEL SKU	ASCEND® 31624	QUEST® w/Flat Connector: 31899	ESCORT® DIGITAL w/Flat Connector: 31898	ESCORT® 31555
Activation	Inertia/Brake Pedal	Inertia/Brake Pedal	Brake Pedal	Brake Pedal
Braking Algorithm	Accelerometer	Accelerometer	Time Ramp	Time Ramp
Braking Application	Proportional/Progressive	Proportional/Progressive	Preset Braking	Preset Braking
Functional in Reverse	Proportional/Progressive	Proportional/Progressive	Preset Braking	Preset Braking
Braking Capacity	8	8	6	6
Braking Display	Digital	Digital	Digital	Multi-Color Bulb
Braking Output	% of Braking Capacity	% of Braking Capacity	% of Braking Capacity	Color = Braking Intensity
<b>Mounting Angle</b>				
• Vertical Fore/Aft (Pitch)	360°	360°	360°	360°
• Horizontal Side-to-Side (Yaw)	±10°	±10°	360°	360°
• Roll (Tilt)	±10°	±10°	360°	360°
• Flexible Mounting Options	Yes	No	No	No
Auto Leveling	Yes	Yes	Yes	Yes
Quick Connect Plug	Yes	Yes	Yes	No
Solid State Electronics	Yes	Yes	Yes	Yes
Slide Activates Brake Lights	Yes	Yes	Yes	Yes
Manual Operation	Vertical or Horizontal Slide	Vertical Slide	Vertical Slide	Vertical Slide
<b>Diagnostics</b>				
• Reverse Polarity Protection	No	No	No	No
• Trailer Side Short Protection	Yes	Yes	Yes	Yes
• Trailer Brake Continuity	Yes	Yes	Yes	Yes
• Trailer Brake Short Notification	Yes	Yes	Yes	No
<b>Trailer Brake Types</b>				
• Electric	Yes	Yes	Yes	Yes
• Electric Over Hydraulic	Yes	Yes	Yes	No
Memory Pre-Sets	Last Setting	Last Setting	Last Setting	Last Setting
24 Volt Jump Start Protection	Yes	Yes	Yes	Yes
Custom Brake Settings	5	5	Fixed	Fixed
Warranty	Limited Lifetime	Limited Lifetime	Limited Lifetime	Limited Lifetime

### HUSKY® Custom Wiring Harnesses for Brake Controls

For the **Husky Quest®**, **Escort® Digital** and **Ascend®**. Look for the full line of Husky® custom wiring harnesses. These fit all Husky® brake controls that have a similar shaped plug. Simply attach the adapter to the Husky brake control. The safest/easiest way to wire a brake control to your tow-prepped vehicle. Clamshell packed.

**Use appropriate wiring harness for quick brake control installation**

See pages 39 - 40 or visit [huskytow.com](http://huskytow.com) for a complete list of vehicle applications

31862




**BRAKE CONTROL CONNECTOR APPLICATION  
& CARRYOVER LIST**

<b>APPLICATION</b>	<b>YEAR</b>	<b>NTP/STAG NO.</b>	<b>MFR. NO.</b>	<b>Type</b>
Buick Enclave	2008-17	17-0657	31871	Plug to Plug
Cadillac Escalade	2000-02	17-0667	31865	Plug to Plug
Cadillac Escalade	2003-06	17-0668	31866	Plug to Plug
Cadillac Escalade	2014-16	17-0674	32253	Plug to Plug
Chevrolet Avalanche	2002	17-0667	31865	Plug to Plug
Chevrolet Avalanche	2003-06	17-0668	31866	Plug to Plug
Chevrolet Silverado	1999-02	17-0667	31865	Plug to Plug
Chevrolet Silverado	2003-06	17-0668	31866	Plug to Plug
Chevrolet Silverado	2014-18	17-0674	32253	Plug to Plug
Chevrolet Silverado (Classic)	2007	17-0668	31866	Plug to Plug
Chevrolet Suburban	2000-02	17-0667	31865	Plug to Plug
Chevrolet Suburban	2003-06	17-0668	31866	Plug to Plug
Chevrolet Suburban	2014-16	17-0674	32253	Plug to Plug
Chevrolet Tahoe	2000-02	17-0667	31865	Plug to Plug
Chevrolet Tahoe	2003-06	17-0668	31866	Plug to Plug
Chevrolet Traverse	2008-18	17-0657	31871	Plug to Plug
Chrysler Aspen	2007-09	17-0666	31864	Plug to Plug
Dodge Dakota	1997-11	17-0666	31864	Plug to Plug
Dodge Durango w/ tow pkg.	1998-09	17-0666	31864	Plug to Plug
Dodge Durango w/ tow pkg.	2011-18	17-0695	30012	Plug to Plug
Dodge Ram Pickup 1500 only w/ tow pkg.	2013-14	17-0672	32079	Plug to Plug
Dodge Ram Pickup 1500 only w/ tow pkg.	2015-18	53056	33038	Plug to Plug
Dodge Ram Pickup w/ tow pkg.	1995-09	17-0666	31864	Plug to Plug
Dodge Ram Pickup w/ tow pkg.	2010-12	17-0694	31869	Plug to Plug
Ford E-150 / 250 / 350	2009-13	17-0665	31863	Plug to Plug
Ford E-350 / 450 RV	2009-11	17-0665	31863	Plug to Plug
Ford Excursion	2000-05	17-0662	31860	Plug to Plug
Ford Expedition	1997-12	17-0662	31860	Plug to Plug
Ford Expedition	2013-17	17-0665	31863	Plug to Plug
Ford Explorer	2000-17	17-0662	31860	Plug to Plug
Ford F-150	1994-08	17-0662	31860	Plug to Plug
Ford F-150	2009-18	17-0664	31862	Plug to Plug
Ford F-250 / 350	1994-04	17-0662	31860	Plug to Plug
Ford F-250 / F-350	2005-07	17-0663	31861	Plug to Plug
Ford F-250 / F-350 / 450 / 550	2008-18	17-0665	31863	Plug to Plug
Ford F-450 / 550	2008-16	17-0665	31863	Plug to Plug
Ford F-450/ F-550	2005-07	17-0663	31861	Plug to Plug
Ford F-53 Motor Home Chassis	2000-14	17-0662	31860	Plug to Plug
Ford Flex	2006-11	17-0662	31860	Plug to Plug
Ford Flex	2012-15	17-0664	31862	Plug to Plug
Ford Van Full size	1994-01	17-0662	31860	Plug to Plug
Ford Van Full size	2004-08	17-0662	31860	Plug to Plug
Ford Windstar	1996-03	17-0662	31860	Plug to Plug
GMC Acadia	2007-17	17-0657	31871	Plug to Plug
GMC Denali	1999-02	17-0667	31865	Plug to Plug


**BRAKE CONTROL CONNECTOR APPLICATION  
& CARRYOVER LIST**

<b>APPLICATION</b>	<b>YEAR</b>	<b>NTP/STAG NO.</b>	<b>MFR. NO.</b>	<b>Type</b>
GMC Denali	2003-06	17-0668	31866	Plug to Plug
GMC Sierra	1999-06	17-0667	31865	Plug to Plug
GMC Sierra	2003-06	17-0668	31866	Plug to Plug
GMC Sierra	2014-18	17-0674	32253	Plug to Plug
GMC Sierra (Classic)	2007	17-0668	31866	Plug to Plug
GMC Yukon	2000-02	17-0667	31865	Plug to Plug
GMC Yukon	2003-06	17-0668	31866	Plug to Plug
GMC Yukon/Yukon XL	2015-16	17-0674	32253	Plug to Plug
Honda Pilot	2006-16	17-0670	31868	Plug to Plug
Honda Ridgeline	2006-14	17-0670	31868	Plug to Plug
Hummer H2	2003-07	17-0668	31866	Plug to Plug
Hummer H2 SUT	2005-07	17-0668	31866	Plug to Plug
Infiniti QX 56	2004-15	17-0659	31858	Plug to Plug
Infiniti QX60/QX80	2014-17	17-0659	31858	Plug to Plug
Jeep Grand Cherokee w/ tow pkg.	2011-17	17-0695	30012	Plug to Plug
Land Rover LR3	2005-10	17-0662	31860	Plug to Plug
Land Rover LR4	2010-11	17-0662	31860	Plug to Plug
Land Rover Range Rover	2005-15	17-0662	31860	Plug to Plug
Lexus GX 460	2010-15	17-0669	31867	Plug to Plug
Lexus GX 470	2004-10	17-0669	31867	Plug to Plug
Lexus LX 570	2008-11	17-0669	31867	Plug to Plug
Lexus LX 570	2013-15	17-0669	31867	Plug to Plug
Lincoln Aviator	2003-05	17-0662	31860	Plug to Plug
Lincoln Navigator	2013-17	17-0665	31863	Plug to Plug
Lincoln Mark LT	2007-08	17-0662	31860	Plug to Plug
Lincoln MKT	2010-11	17-0662	31860	Plug to Plug
Lincoln MKT	2012-15	17-0664	31862	Plug to Plug
Lincoln Navigator	1998-12	17-0662	31860	Plug to Plug
Mercury Mountaineer	2002-10	17-0662	31860	Plug to Plug
Nissan Armada	2004-15	17-0659	31858	Plug to Plug
Nissan Frontier	2004-16	17-0659	31858	Plug to Plug
Nissan NV Van	2012-16	17-0659	31858	Plug to Plug
Nissan Pathfinder	2004-17	17-0659	31858	Plug to Plug
Nissan Titan	2004-18	17-0659	31858	Plug to Plug
Nissan Xterra	2004-013	17-0659	31858	Plug to Plug
Saturn Outlook	2007-10	17-0657	31871	Plug to Plug
Toyota 4-Runner	2003-13	17-0669	31867	Plug to Plug
Toyota Land Cruiser	2003-11	17-0669	31867	Plug to Plug
Toyota Land Cruiser	2013-15	17-0669	31867	Plug to Plug
Toyota Sequoia	2002-15	17-0669	31867	Plug to Plug
Toyota Tacoma	2005-15	17-0669	31867	Plug to Plug
Toyota Tundra	2003-14	17-0669	31867	Plug to Plug



## ELECTRIC BRAKE ASSEMBLY KITS

Save time and money by installing Husky Brake Assemblies. Why replace shoes, magnets, springs, adjusters, etc.? If you have to replace two or more of these components, it is easier and more economical to install the complete assembly. With Husky, you get back on the road fast!

### FOR AXLE TEK, DEXTER, FAYETTE, HAYES & ALKO ELECTRIC BRAKES

Reduce precious time and aggravation on difficult brake repairs by using Husky easy to install complete brake assembly kits. These CSA certified kits provide durability, and reliability in braking performance. These kits fit Axle Tek, Dexter, Fayette, and Hayes, with these flange patterns: 3" hole diameter x 4-holes x 4" bolt center on 7" and 10" brakes; 3.25" hole diameter x 5-holes x 3.88" bolt center on 12" brakes. All kits are individually boxed.

#### Electric Brake Assembly, 7" x 1-1/4", 600-2200 lb. Axle Capacity

21-0094	30789	LH Complete
21-0095	30788	RH Complete

#### Electric Brake Assembly, 10" x 2-1/4", 2300 -3500 lb. Axle Capacity

21-0058	30793	LH Complete
21-0059	30794	RH Complete

#### Electric Brake Assembly, 12" x 2", 4000-6000 lb. Axle Capacity

21-0066	30799	LH Complete
21-0093	30800	RH Complete

#### Electric Brake Assembly, 12" x 2" 7000 lb. Axle Capacity

21-0064	30797	LH Complete
21-0065	30798	RH Complete

#### HUSKY BRAKE ASSEMBLY KITS REPLACE:

- AXLE TEK
- ALKO
- ATWOOD
- DEXTER
- FAYETTE
- HAYES

Brakes manufactured by Axle Teknology for Husky are CSA Certified (CSA master contract #239634)



## HUSKY REPLACEMENT HYDRAULIC BRAKE ASSEMBLY KITS

### FOR AXLE TEK, ATWOOD, ALKO, DEXTER HYDRAULIC BRAKES

Easy installation and interchangeability are just two features that rate Husky Uni-servo hydraulic brake assemblies among the best in the industry. These assemblies interchange with most major brands of axles, without modifying the axle or mounting flange. These assemblies also interchange with Atwood, Axle Tek, and Dexter hydraulic brake assemblies. Hub Pattern: 3" x 4-holes on 10" brakes; 3.25" x 5-holes on 12" brakes. All kits are individually boxed.

#### Hydraulic Brake Assembly, 10" x 2.25", 3500 lb. Rated Axle Capacity

21-0108	30785	LH Complete, Black Painted
21-0109	30784	RH Complete, Black Painted

#### Hydraulic Brake Assembly, 12" x 2", 6000 lb. Rated Axle Capacity

21-0072	30786	LH Complete, Black Painted
21-0073	30787	RH Complete, Black Painted

Hydraulic



Manufactured for Husky by Axle Teknology.





**10" x 2-1/4" 4,400-lb. ELECTRIC BRAKE ASSEMBLIES**

*Complete assembly. Fits or replaces Axletek or Dexter. Boxed.*

**Electric Brake Assembly, 10" x 2-1/4", 4,400 lb. Capacity**

21-0074	32559	LH Complete, Standard Wire (Red)
21-0075	32560	RH Complete, Standard Wire (Red)



32559-60

**HUSKY SELF-ADJUSTING ELECTRIC BRAKE ASSEMBLIES**

*Complete assembly. Fits or replaces Axletek or Dexter. Boxed.*

**Self-adjusting Electric Brake Assembly, 10" x 2-1/4"**

21-0061	32288	3,500 lb. Capacity, LH Complete
21-0062	32289	3,500 lb. Capacity, RH Complete

**Self-adjusting Electric Brake Assembly, 10" x 2-1/4"**

21-0076	32561	4,400 lb. Capacity, LH Complete, Standard Wire (Red)
21-0077	32562	4,400 lb. Capacity, RH Complete, Standard Wire (Red)

**Self-adjusting Electric Brake Assembly, 12" x 2-1/4"**

21-0070	32292	6,000 lb. Capacity, LH Complete
21-0071	32293	6,000 lb. Capacity, RH Complete

**Self-adjusting Electric Brake Assembly, 12" x 2-1/4"**

21-0068	32290	7,000 lb. Capacity, LH Complete
21-0069	32291	7,000 lb. Capacity, RH Complete



32561-62

*Manufactured for Husky by Axle Technology.*



- Automotive-grade friction material molded to brake shoes
- Pads are fully bonded to shoes for long life and more braking torque
- Less chance of cracking and crumbling that can lead to mechanical lockup, thanks to tapered edge and circular grinding
- E-coated backing plate resists wear and corrosion
- 12 Month Limited Warranty

**12-1/4" x 3-3/8" 8,000 lb. ELECTRIC BRAKE KIT**  
 Complete assembly. Fits or replaces Axletek or Dexter. Boxed.

**Electric Brake Assembly, 12-1/4" x 3-3/8" 8,000 lb. Capacity**

71-5235	33074	LH Complete, Standard Wire (Red)
71-5236	33075	RH Complete, Standard Wire (Red)



33074



33075

**GENERAL DUTY SELF ADJUST**  
**12-1/4" x 3-3/8" 10,000 lb. ELECTRIC BRAKE KIT**  
 Complete assembly. Fits or replaces Axletek or Dexter. Boxed.

**Electric Brake Assembly, 12-1/4" x 3-3/8" 10,000 lb. Capacity**

71-5237	33076	LH Complete, Standard Wire (Red)
71-5238	33077	RH Complete, Standard Wire (Red)



33076



33077

**GENERAL DUTY SELF ADJUST**  
**12-1/4" x 5" 12,000 lb. ELECTRIC BRAKE KIT**  
 Complete assembly. Fits or replaces Axletek or Dexter. Boxed.

**Electric Brake Assembly, 12-1/4" x 5" 12,000 lb. Capacity**

71-5239	33078	LH Complete, Standard Wire (Red)
71-5240	33079	RH Complete, Standard Wire (Red)



33078



33079

Manufactured for Husky by Axle Technology.



- Black Paint Finish
- Trailer hub-and-drum assembly provides gripping area when the brake shoes are activated
- Compatible with electric and hydraulic drum brakes
- Zinc and paint blended coating for durability
- Corrosion resistant, zinc finished pressed in studs
- 12 Month Limited Warranty

## 2,000 lb IDLER HUB KITS

### 4-4.00; L44610/L44610; Black push-in studs

71-5241      33080      Idler Hub Kit, 2,000 lbs,

### 5-4.50; L44610/L44610; Black push-in studs; Standard Flange

71-5242      33081      Idler Hub Kit, 2,000 lbs,

### 5-4.50; L44610/L44610; Black push-in studs; Large Flange

71-5243      33082      Idler Hub Kit, 2,000 lbs,



## 3,500 lb IDLER HUB KITS

### 5-4.50; L68111/L44610; Black push-in studs

71-5244      33083      Idler Hub Kit, 3,500 lbs,

### 5-4.75; L68111/L44610; Large Flange/Large Bride

71-5245      33084      Idler Hub Kit, 3,500 lbs,

### 5-5.50; L68111/L44610; Large Flange/Large Bride

71-5246      33085      Idler Hub Kit, 3,500 lbs,

### 5-5.50; L68111/L44610; Black push-in studs

71-5247      33086      Idler Hub Kit, 3,500 lbs,

### 6-5.50; L68111/L44610; Black push-in studs

71-5248      33087      Idler Hub Kit, 3,500 lbs,



## 6,000 lb & 7,000 lb IDLER HUB KITS

### 6-5.50; 25520/15245; 1/2-20; Push-In Studs

71-5249      33088      Idler Hub Kit, 6,000 lbs,

### 6-5.50; 25520/15245; 9/16-18; Push-In Studs

71-5250      33089      Idler Hub Kit, 6,000 lbs,

### 8-6.50; 25520/14276; 1/2-20; Push-In Studs

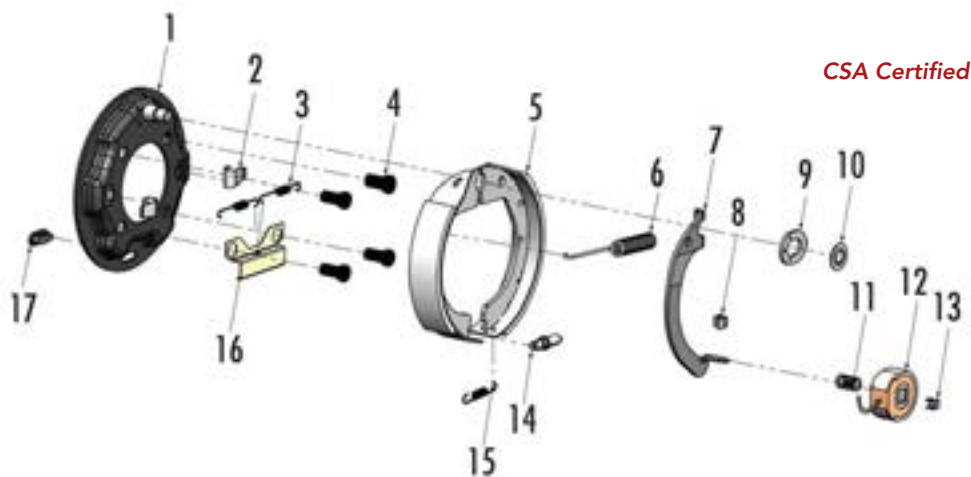
71-5251      33090      Idler Hub Kit, 7,000 lbs,

### 8-6.50; 25520/14276; 9/16-18; Push-In Studs

71-5252      33091      Idler Hub Kit, 7,000 lbs,



Manufactured for Husky by Axle Technology.



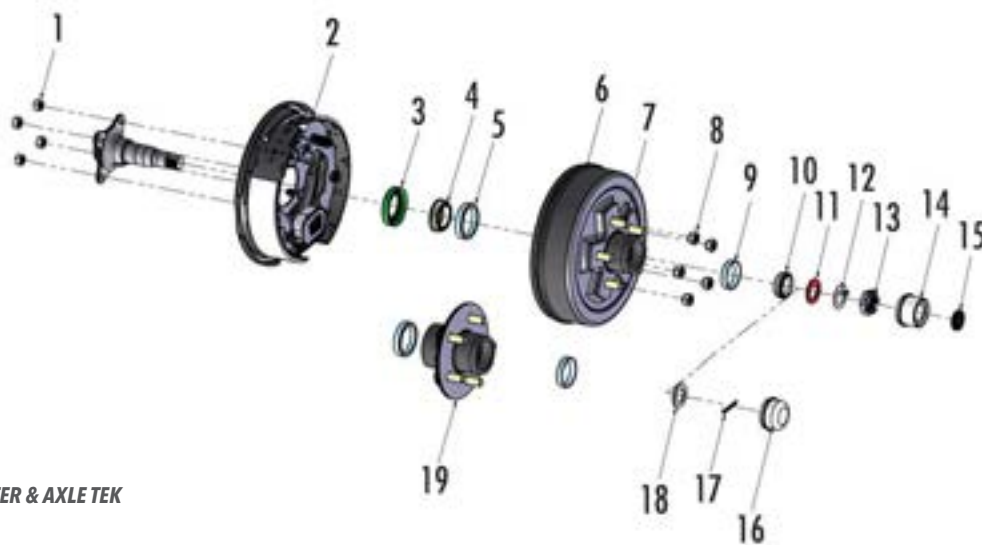
CSA Certified

REPLACES DEXTER & AXLE TEK

CSA Certified by Axle Teknology  
(CSA master contract #239634)

**QUALITY REPLACEMENT PARTS—AXLE TEK, DEXTER 7" x 1-1/4" ELECTRIC BRAKES**

NTP/STAG #	Part #	Mfr. #	Dexter #	Ref.	Qty.	Description
21-0094	30789	#KB7E-01	K23-026-00		1	COMPLETE BRAKE ASSEMBLY LH
21-0095	30788	#KB7E-02	K23-027-00		1	COMPLETE BRAKE ASSEMBLY RH
21-0078	30816	#KB7E-05	K71-045-00	5 & 16	1	SHOE / LINING KIT
21-0096	30817	#KB7E-06	K71-057-00	8, 11, & 12	1	MAGNET KIT
21-0114	30824	#KBE-363-00	K71-363-00	3,6,11,&15	1	SPRING KIT
21-0112	30830	#KBE-321-00	5121	13	1	RETAINER CLIP PKG./10



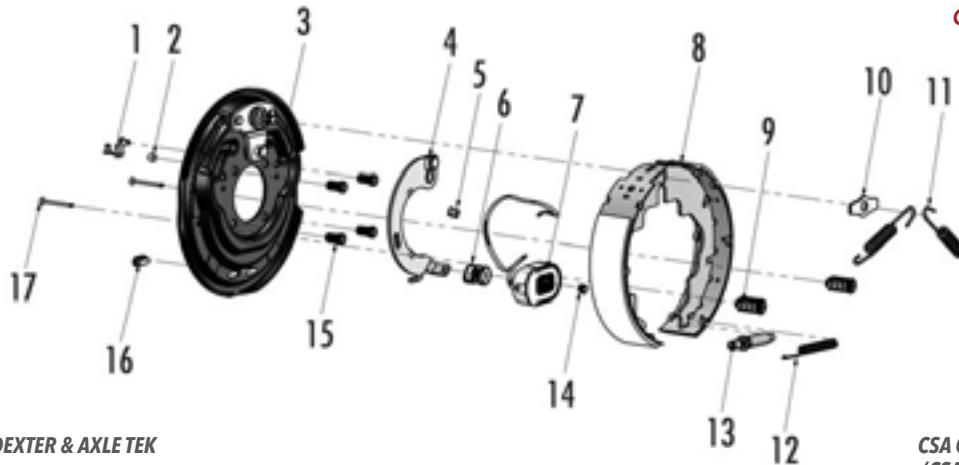
REPLACES DEXTER & AXLE TEK

**QUALITY REPLACEMENT PARTS—AXLE TEK, DEXTER 7" x 1-1/4" & 7" x 1-3/4" HUBS-DRUMS AND IDLER HUBS, ELEC/HYD**

NTP/STAG #	Part #	Mfr. #	Dexter #	Ref.	Qty.	Description
21-0052	95912	#DL150-20		3	3	GREASE SEALS, 1-1/2" ID, SLEEVE OF 20
21-0081	30812	#L44649/10	K71-306-00	4 & 5	1	BEARING CONE & CUP L44610 / L44649
21-0124	30792	#KBD-54522-17	008-257-05	6	1	HUB-DRUM 5.45" BC ELEC. 1-1/4"

Manufactured for Husky by Axle Teknology.





CSA Certified

REPLACES DEXTER & AXLE TEK

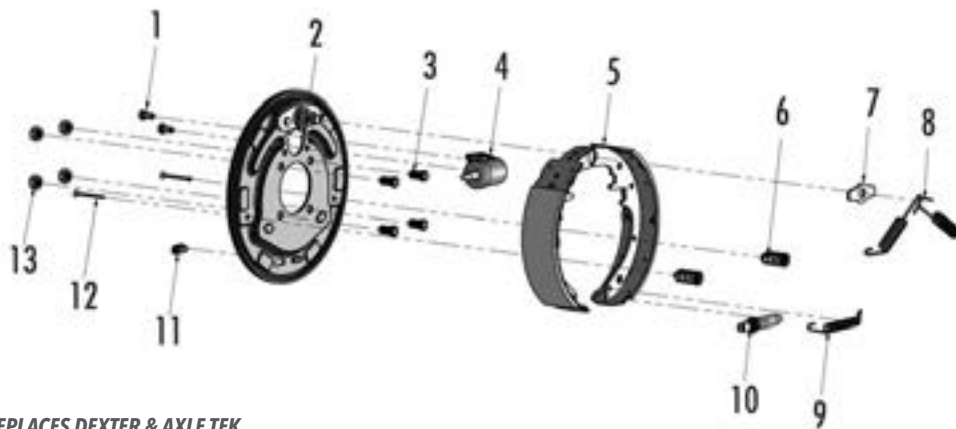
CSA Certified by Axle Technology  
(CSA master contract #239634)

**QUALITY REPLACEMENT PARTS—AXLE TEK, DEXTER 10" x 2-1/4" ELECTRIC BRAKES**

NTP/STAG #	Part #	Mfr. #	Dexter #	Ref.	Qty.	Description
21-0058	30793	#KB10E-01	K23-026-00		1	COMPLETE BRAKE ASSEMBLY LH
21-0059	30794	#KB10E-02	K23-027-00		1	COMPLETE BRAKE ASSEMBLY RH
21-0092	30821	#KB10E-05	K71-047-00	8, 9 & 17	1	SHOE / LINING KIT
21-0080	30826	#KBE-324-00	K71-324-00	12 & 13	1	ADJUSTING SCREW KIT
21-0060	30818	#KB10E-06	K71-104-00	5, 6, & 7	1	MAGNET KIT
21-0114	30824	#KBE-363-00	K71-363-00	6, 9, 11, & 12	1	SPRING KIT
21-0113	30825	#KBE-353-00	5353	9 & 17	1	HOLD-DOWN KIT (AXLE SET)
21-0112	30830	#KBE-321-00	5121	14	1	RETAINER CLIP PKG./10

**DEXTER: 10" X 1-1/2" HUB-DRUM (OBSOLETE) USE 10" X 2-1/4" PICTURE**

21-0100	31502	#122099	K71-314-00	16	1	2" DUST CAP
---------	-------	---------	------------	----	---	-------------

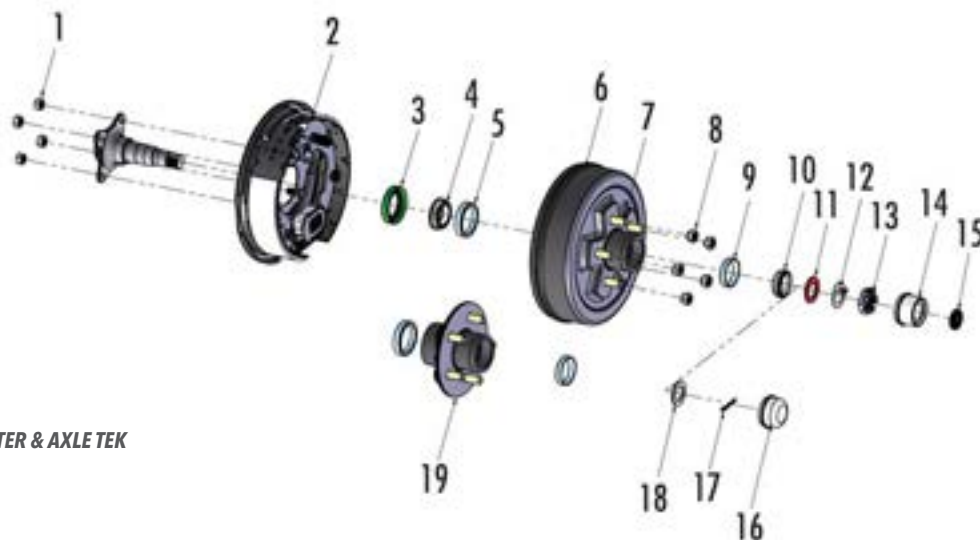


REPLACES DEXTER & AXLE TEK

**QUALITY REPLACEMENT PARTS—AXLE TEK, DEXTER 10" x 2-1/4" HYDRAULIC BRAKES**

NTP/STAG #	Part #	Mfr. #	Dexter #	Ref.	Qty.	Description
21-0108	30785	#KB10H-01	K23-312-00		1	COMPLETE BRAKE ASSEMBLY LH UNI-SERVO
21-0109	30784	#KB10H-02	K23-313-00		1	COMPLETE BRAKE ASSEMBLY RH UNI-SERVO
21-0063	30822	#KB10H-05-2	K71-267-00	5 & 6	1	SHOE / LINING KIT (AXLE SET)

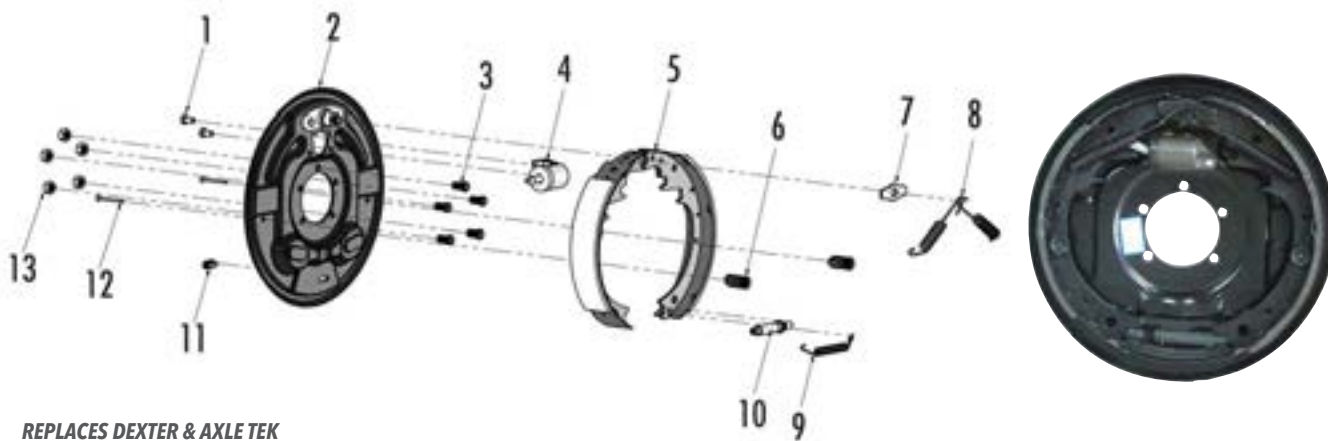
Manufactured for Husky by Axle Technology.



REPLACES DEXTER & AXLE TEK

**QUALITY REPLACEMENT PARTS—AXLE TEK, DEXTER 10" X 2-1/4" HUBS-DRUMS AND IDLER HUBS**

NTP/STAG #	Part #	Mfr. #	Dexter #	Ref.	Qty.	Description
21-0053	30828	#DL-172-03	K71-303-00	3	1	GREASE SEAL STD. PKG/2
21-0054	95913	#DL172-10		3		GREASE SEALS., 1-7/8" ID, SLEEVE OF 10
21-0082	30815	#LM68149/11	K71-390-00	4 & 5	1	INNER BEARING CONE & CUP L6811 / L68149
21-0081	30812	#L44649/10	K71-306-00	9 & 10	1	OUTER BEARING CONE & CUPL44610 / L44649
21-0085	30796	#KBD-545-17	008-247-05	6	1	HUB-DRUM 5-4.50" BC ELEC/HYD
21-0101	31503	#122067		14	1	2" LUBED DUST CAP
21-0102	31510	#122065	K71-320-00	15	1	RUBBER LUBE PLUG FOR 1.18" CAP HOLE
21-0050	31815	#DC-RP-2	K71-320-00	16	1	RUBBER LUBE PLUG FOR 1.18" CAP HOLE, PK/2



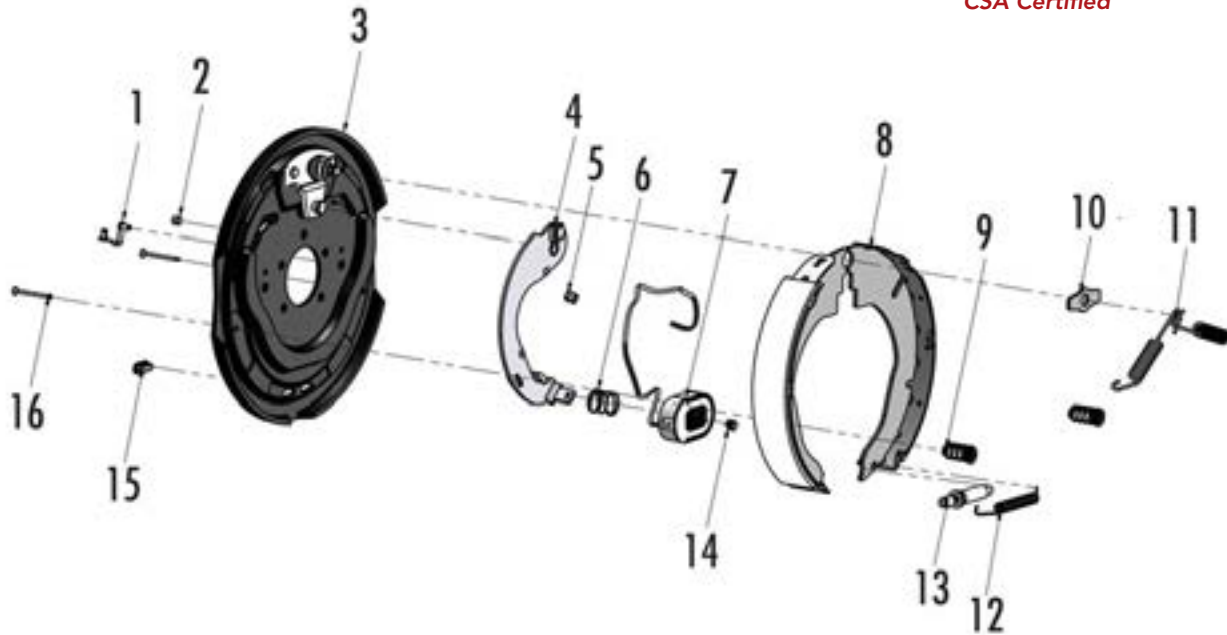
REPLACES DEXTER & AXLE TEK

**QUALITY REPLACEMENT PARTS—AXLE TEK, DEXTER 12" x 2" HYDRAULIC BRAKES 7000#**

NTP/STAG #	Part #	Mfr. #	Dexter #	Ref.	Qty.	Description Price
21-0072	30786	#KB12H-01	K23-338-00		1	COMPLETE BRAKE ASSEMBLY LH UNI-SERVO
21-0073	30787	#KB12H-02	K23-339-00		1	COMPLETE BRAKE ASSEMBLY RH UNI-SERVO
21-0111	30823	#KB12H-05-2	K71-269-00 & K71-270-00	5 & 6	1	SHOE / LINING KIT (AXLE SET)

Manufactured for Husky by Axle Teknology.

CSA Certified



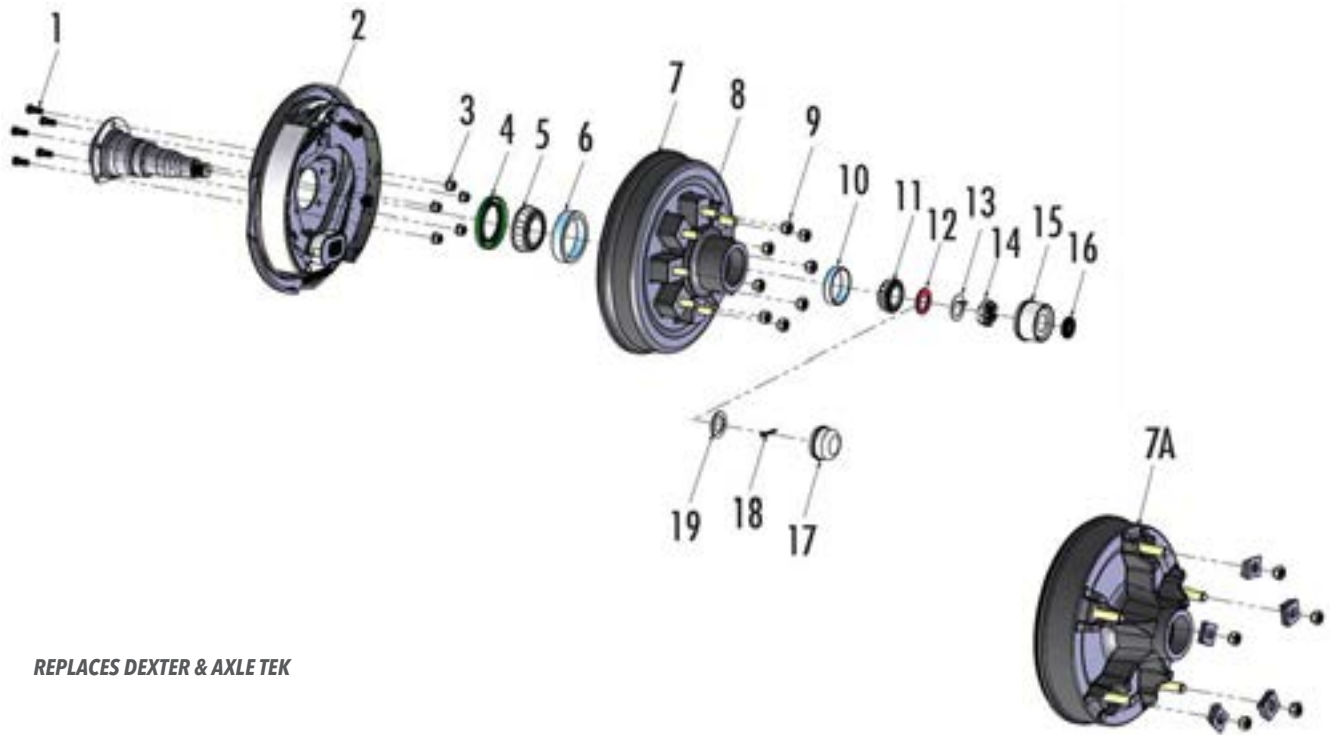
REPLACES DEXTER & AXLE TEK

CSA Certified by Axle Teknology  
(CSA master contract #239634)

**QUALITY REPLACEMENT PARTS—AXLE TEK, DEXTER 12" x 2" ELECTRIC BRAKES 5200#, 6000#, 7000#**

NTP/STAG #	Part #	Mfr. #	Dexter #	Ref.	Qty.	Description
<b>5200 lb. &amp; 6000 lb.</b>						
21-0066	30799	#KB12E-03	K23-105-00		1	COMPLETE BRAKE ASSEMBLY LH
21-0093	30800	#KB12E-04	K23-106-00		1	COMPLETE BRAKE ASSEMBLY RH
21-0110	30820	#KB12E-05	K71-048-00	8, 9 & 16	1	SHOE / LINING KIT
21-0080	30826	#KBE-324-00	K71-324-00	12 & 13	1	ADJUSTING SCREW KIT
21-0067	30819	#KB12E-06	K71-105-00	5, 6, & 7	1	MAGNET KIT
21-0114	30824	#KBE-363-00	K71-363-00	6,9,11, & 12	1	SPRING KIT
21-0113	30825	#KBE-353-00	5353	9 & 16	1	HOLD-DOWN KIT (AXLE SET)
21-0112	30830	#KBE-321-00	5121	14	1	RETAINER CLIP PKG./10
<b>7000lb.</b>						
21-0064	30797	#KB12E-01	K23-180-00		1	COMPLETE BRAKE ASSEMBLY LH
21-0065	30798	#KB12E-02	K23-181-00		1	COMPLETE BRAKE ASSEMBLY RH
21-0110	30820	#KB12E-05	K71-127-00	8, 9 & 16	1	SHOE / LINING KIT
21-0080	30826	#KBE-324-00	K71-324-00	12 & 13	1	ADJUSTING SCREW KIT
21-0067	30819	#KB12E-06	K71-125-00	5,6,&7	1	MAGNET KIT
21-0114	30824	#KBE-363-00	K71-363-00	6,9,11,&12	1	SPRING KIT
21-0113	30825	#KBE-353-00	5353	9 & 16	1	HOLD-DOWN KIT (AXLE SET)
21-0112	30830	#KBE-321-00	5121	14	1	RETAINER CLIP PKG./10

Manufactured for Husky by Axle Teknology.



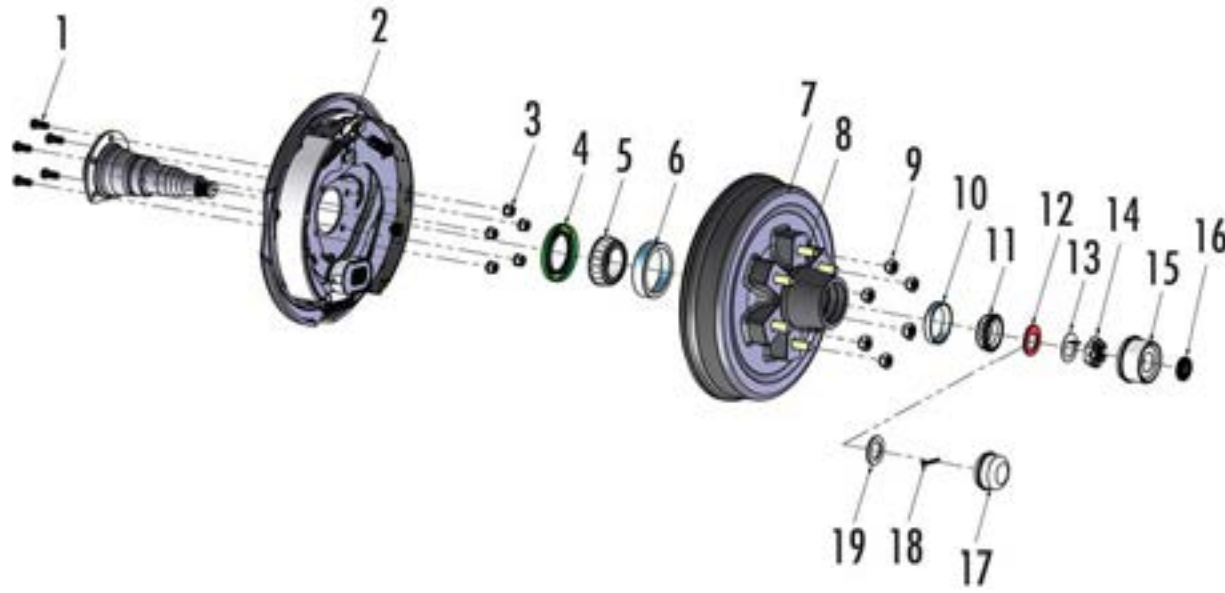
REPLACES DEXTER & AXLE TEK

**QUALITY REPLACEMENT PARTS—AXLE TEK, DEXTER 12" x 2" HUBS-DRUMS AND IDLER HUBS, 8 ON 6.50 BC 6000 lb. & 7000 lb.**

NTP/STAG #	Part #	Mfr. #	Dexter #	Ref.	Qty.	Description
21-0056	30829	#DL-225-03	K71-305-00	4	1	GREASE SEAL STD. PKG/
21-0106	30813	#25580/20	K71-308-00	5 & 6	1	INNER BEARING CONE & CUP 25520 / 25580
21-0048	30811	#15123/245	K71-309-00	10 & 11	1	OUTER BEARING CONE & CUP 15245 / 15123 6000# (5-SPOKE DEMOUNTABLE)
21-0047	30808	#14125A/14276	K71-310-00	10 & 11	1	OUTER BEARING CONE & CUP 14276 / 14125A 7000# 8-BOLT
21-0087	30802	#KBD-865-17	008-219-04	7	1	HUB-DRUM 8-6.50" BC 1/2" STUDS 7000#
21-0050	31815	#DC-RP-2	K71-320-00	16		RUBBER LUBE PLUG FOR 1.18" CAP HOLE, 2/PK

Manufactured for Husky by Axle Teknology.



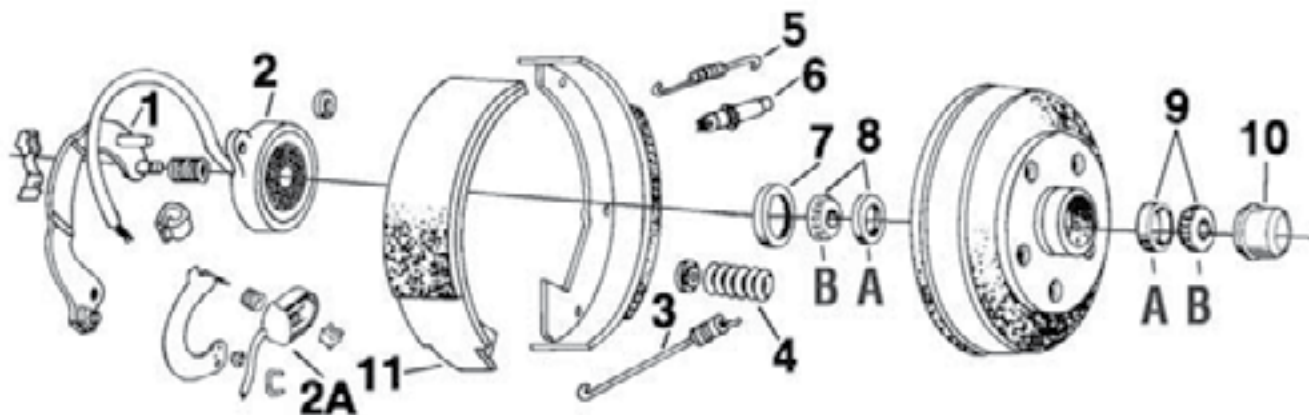


**REPLACES DEXTER & AXLE TEK**

**QUALITY REPLACEMENT PARTS—AXLE TEK, DEXTER 12" x 2" HUBS-DRUMS AND IDLER HUBS, 6 ON 5.50 BC 5200lb. & 6000 lb.**

NTP/STAG #	Part #	Mfr. #	Dexter #	Ref.	Qty.	Description
21-0056	30829	#DL-225-03	K71-305-00	4	1	GREASE SEAL STD., 2.25" I.D. (1998-current) PKG/2
21-0057	95914	#DL225-10		4		GREASE SEALS DL225, 2.25" I.D. (1998-current) SLEEVE OF 10
21-0107	31816	#DL-2125-2		4	1	GREASE SEAL DL2125, 2.125" I.D. (pre-1998) PKG/2
21-0055	95922	#DL-2125		4		GREASE SEALS DL2125, 2.125" I.D. (pre-1998) SLEEVE OF 10
21-0106	30813	#25580/20	K71-308-00	5 & 6	1	INNER BEARING CONE & CUP 25520 / 25580
21-0049	95907	#25580-06		5		BEARINGS 25580, SLEEVE OF 6
21-0097	30814	#LM67048/10	K71-307-00	10 & 11	1	OUTER BEARING CONE & CUP LM67048 / LM67010 5200#
21-0048	30811	#15123/245	K71-309-00	10 & 11	1	OUTER BEARING CONE & CUP 15123 / 15245 6000#
21-0086	30804	#KBD-655-17	008-201-09	7	1	HUB-DRUM 6-5.50" BC 1/2" STUDS 6000# (requires #30811 bearing if used on 5200# axle)
21-0050	31815	#DC-RP-2	K71-320-00	16		RUBBER LUBE PLUG FOR 1.18" CAP HOLE, 2/PK

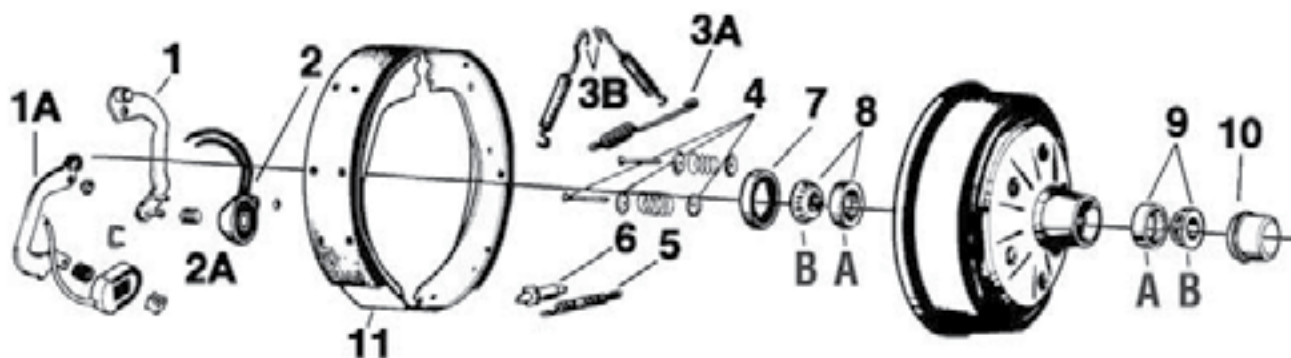
*Manufactured for Husky by Axle Technology.*



### QUALITY REPLACEMENT PARTS—HAYES 10" x 1-5/8"

NTP/STAG #	Part #	Mfr. #	Ref.	Description
21-0060	30818	#KB10E-06	2A	MAGNET KIT (AFTER MID 1987)
21-0080	30826	#KBE-324-00	5 & 6	ADJUSTING SCREW KIT
21-0053	30828	#DL-172-03	7	GREASE SEAL (AXLE SET)
21-0054	95913	#DL172-10	7	GREASE SEALS DL172, SLEEVE OF 10
21-0097	30814	#LM67048/10	8A+B	INNER BEARING SET \$8.39
21-0117	95905	#LM-67048	8B	BEARING ONLY LM-67048, SLEEVE OF 9
21-0081	30812	#L44649/10	9A+B	OUTER BEARING SET

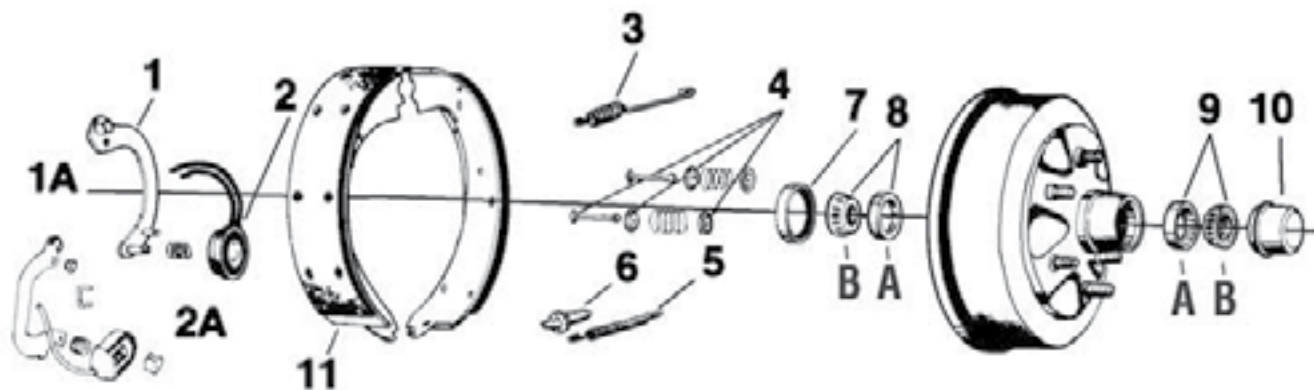
REPLACES HAYES



### QUALITY REPLACEMENT PARTS—HAYES 10" x 2-1/4"

NTP/STAG #	Part #	Mfr. #	Ref.	Description
21-0060	30818	#KB10E-06	2A	MAGNET KIT (AFTER MID 1987)
21-0114	30824	#KBE-363-00	3A & 3B	SPRING KIT
21-0113	30825	#KBE-353-00	4	HOLD-DOWN KIT (AXLE SET)
21-0080	30826	#KBE-324-00	5 & 6	ADJUSTING SCREW KIT
21-0053	30828	#DL-172-03	7	GREASE SEAL (AXLE SET)
21-0054	95913	#DL172-10	7	GREASE SEALS DL172, SLEEVE OF 10
21-0082	30815	#LM68149/11	8A+B	INNER BEARING SET
21-0081	30812	#L44649/10	9A+B	OUTER BEARING SET

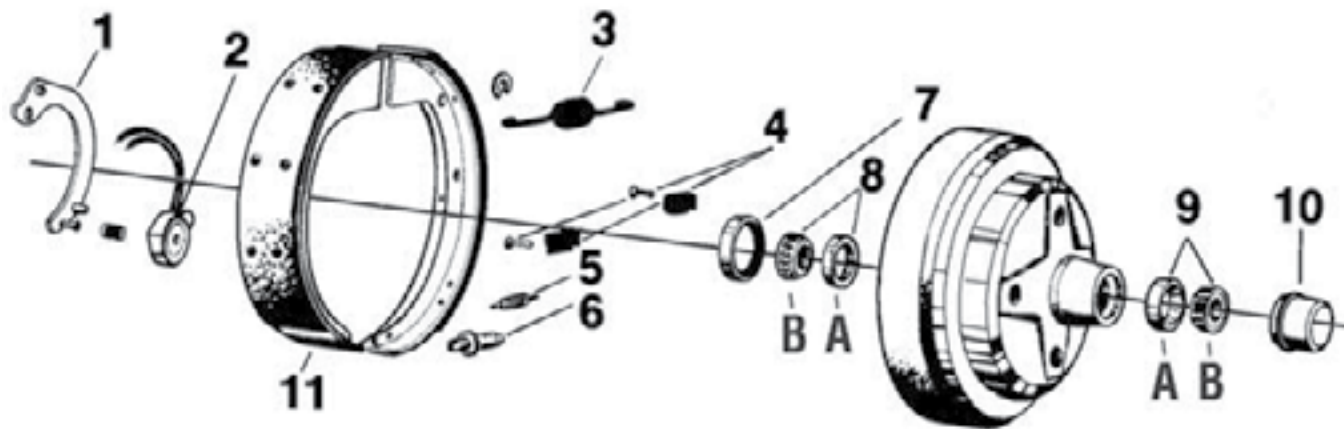
REPLACES HAYES



**QUALITY REPLACEMENT PARTS—HAYES 12" x 2"**

NTP/STAG #	Part #	Mfr. #	Ref.	Description
21-0067	30819	#KB12E-06	2A	MAGNET KIT (AFTER MID 1987)
21-0114	30824	#KBE-363-00	3	SPRING KIT
21-0113	30825	#KBE-353-00	4	HOLD-DOWN KIT (AXLE SET)
21-0080	30826	#KBE-324-00	5 & 6	ADJUSTING SCREW KIT
21-0056	30829	#DL-225-03	7	GREASE SEAL (AXLE SET)
21-0057	95914	#DL225-10	7	GREASE SEALS DL225, SLEEVE OF 10
21-0106	30813	#25580/20	8A+B	INNER BEARING SET
21-0097	30814	#LM67048/10	9A+B	OUTER BEARING SET

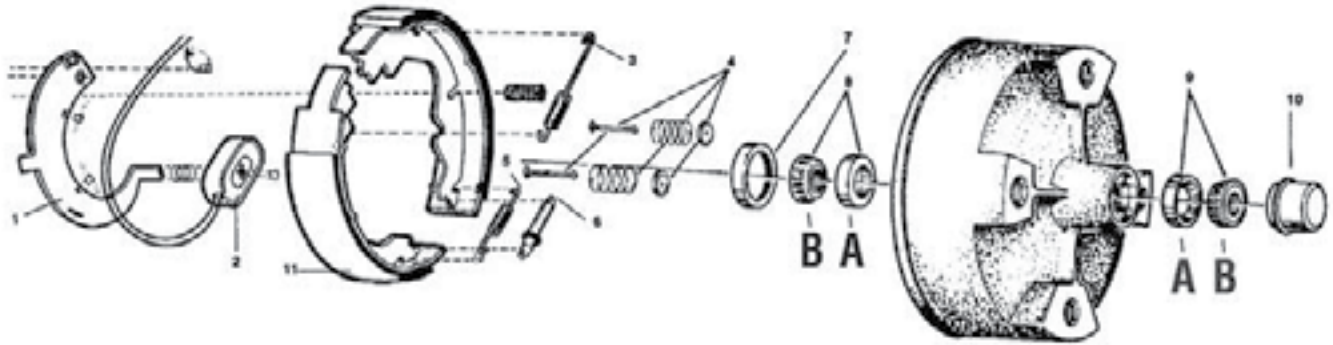
REPLACES HAYES



**QUALITY REPLACEMENT PARTS—HAYES 12" x 2" CENTERLINE**

NTP/STAG #	Part #	Mfr. #	Ref.	Description
21-0113	30825	#KBE-353-00	4	HOLD-DOWN KIT (AXLE SET)
21-0080	30826	#KBE-324-00	5 & 6	ADJUSTING SCREW KIT
21-0056	30829	#DL-225-03	7	GREASE SEAL (AXLE SET) 2.25" I.D.
21-0057	95914	#DL225-10	7	GREASE SEALS DL225, 2.25" I.D., SLEEVE OF 10
21-0107	31816	#DL-2125-2	7	GREASE SEAL (AXLE SET) 2.125" I.D.
21-0055	95922	#DL-2125	7	GREASE SEALS DL2125, 2.125" I.D., SLEEVE OF 10
21-0106	30813	#25580/20	8A+B	INNER BEARING SET
21-0097	30814	#LM67048/10	9A+B	OUTER BEARING SET

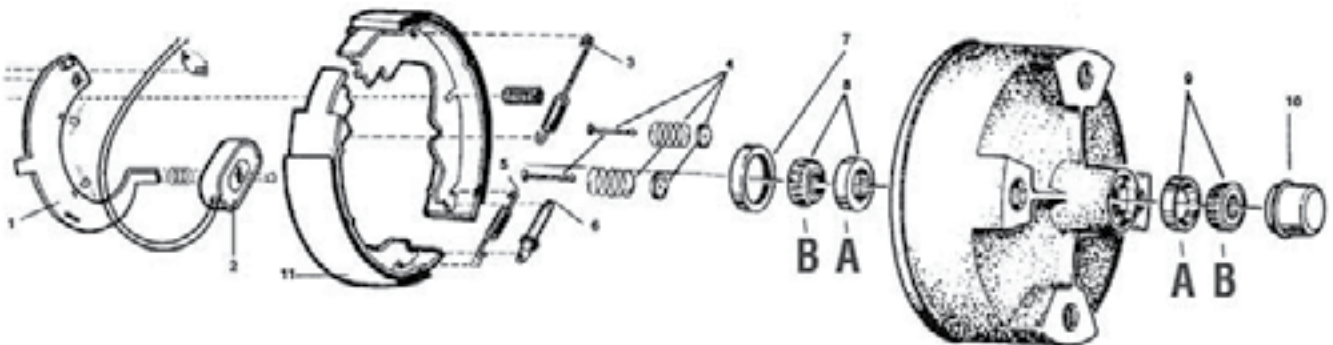
REPLACES HAYES



**QUALITY REPLACEMENT PARTS—AL-KO 10" x 2-1/4"**

NTP/STAG #	Part #	Mfr. #	Ref.	Description
21-0060	30818	#KB10E-06	2	MAGNET KIT
21-0113	30825	#KBE-353-00	4	HOLD-DOWN KIT (AXLE SET)
21-0080	30826	#KBE-324-00	5 & 6	ADJUSTING SCREW KIT
21-0082	30815	#LM68149/11	8A+B	INNER BEARING SET
21-0081	30812	#L44649/10	9A+B	OUTER BEARING SET

REPLACES AL-KO

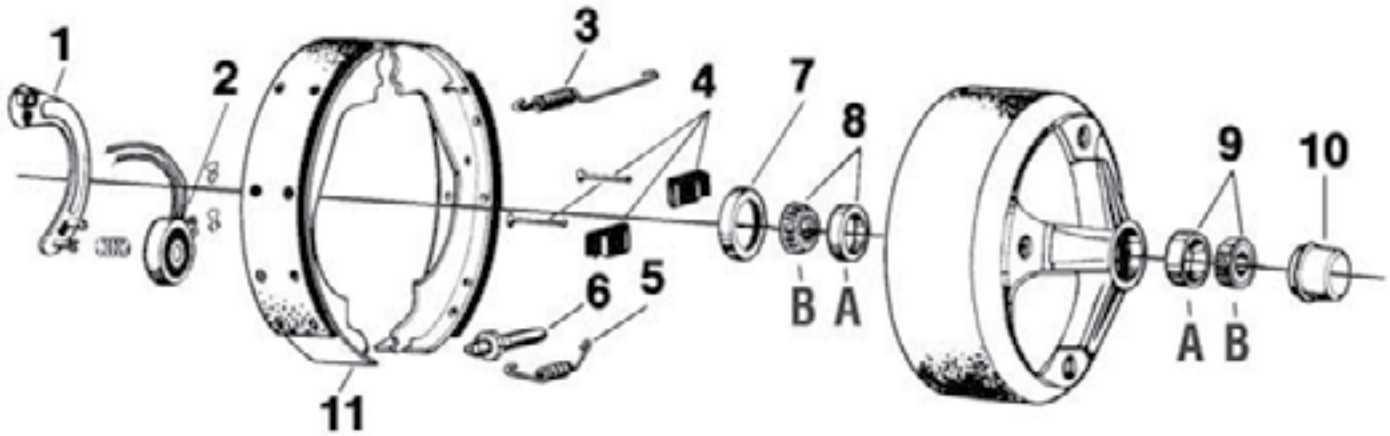


**QUALITY REPLACEMENT PARTS—AL-KO 12" x 2"**

NTP/STAG #	Part #	Mfr. #	Ref.	Description
21-0067	30819	#KB12E-06	2	MAGNET KIT 6 & 7K
21-0114	30824	#KBE-363-00	3	SPRING KIT
21-0113	30825	#KBE-353-00	4	HOLD-DOWN KIT (AXLE SET)
21-0080	30826	#KBE-324-00	5 & 6	ADJUSTING SCREW KIT
21-0106	30813	#25580/20	8A+B	INNER BEARING SET
21-0097	30814	#LM67048/10	9A+B	OUTER BEARING SET

REPLACES AL-KO

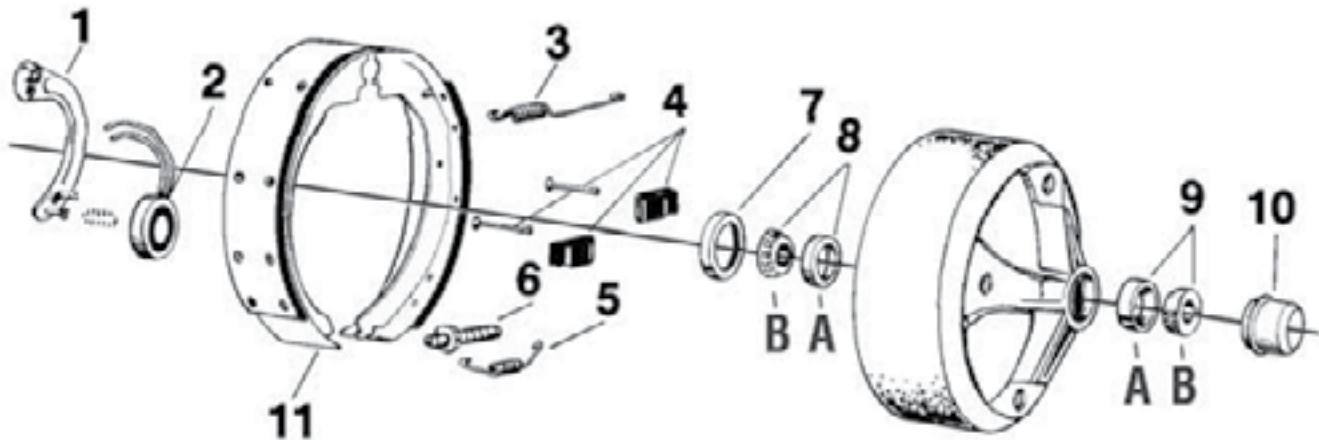




**QUALITY REPLACEMENT PARTS—FAYETTE 10" x 2-1/4"**

NTP/STAG #	Part #	Mfr. #	Ref.	Description
21-0113	30825	#KBE-353-00	4	HOLD-DOWN KIT (AXLE SET)
21-0080	30826	#KBE-324-00	5 & 6	ADJUSTING SCREW KIT
21-0053	30828	#DL-172-03	7	GREASE SEALS (AXLE SET)
21-0054	95913	#DL172-10	7	GREASE SEALS DL172, SLEEVE OF 10
21-0082	30815	#LM68149/11	8A+B	INNER BEARING SET
21-0081	30812	#L44649/10	9A+B	OUTER BEARING SET
21-0092	30821	#KB10E-05	11	SHOE / LINING KIT

**REPLACES  
FAYETTE**



**QUALITY REPLACEMENT PARTS—FAYETTE 12" x 2"**

NTP/STAG #	Part #	Mfr. #	Ref.	Description
21-0114	30824	#KBE-363-00	3	SPRING KIT
21-0113	30825	#KBE-353-00	4	HOLD-DOWN KIT (AXLE SET)
21-0080	30826	#KBE-324-00	5 & 6	ADJUSTING SCREW KIT
21-0056	30829	#DL-225-03	7	GREASE SEAL (AXLE SET) 2.25" I.D.
21-0057	95914	#DL225-10	7	GREASE SEALS DL225, 2.25" I.D., SLEEVE OF 10
21-0107	31816	#DL-2125-2	7	GREASE SEAL (AXLE SET) 2.125" I.D.
21-0055	95922	#DL-2125	7	GREASE SEALS DL2125, 2.125" I.D., SLEEVE OF 10
21-0106	30813	#25580/20	8A+B	INNER BEARING SET
21-0097	30814	#LM67048/10	9A+B	OUTER BEARING SET
21-0110	30820	#KB12E-05	11	SHOE / LINING KIT

**REPLACES  
FAYETTE**



*Dust Caps*

**DUST CAPS, 2/PACK**

21-0050      31815      DC-RP      #DC-RP      PK/2

Rubber Lube Plug, Size: 1.18"+, fits 1.18" Lubed Dust Cap Hole Pk/2



*Grease Seals*

**GREASE SEALS, BULK QUANTITIES IN SLEEVES OR PK/2**

21-0051	95911	GS-1250DL	#DL1025-20	20	Grease Seal, 1-1/4" ID
21-0052	95912	GS-1500DL	#DL1050-20	20	Grease Seal, 1-1/2" ID
21-0054	95913	GS-172DL	#DL1072-10	10	Grease Seal, 1-7/8" ID
21-0055	95922	DL2125	#DL-2125	10	Grease Seal, 2-1/8" ID
21-0107	31816	DL2125	#DL-2125	PK/2	Grease Seal, 2-1/8" ID Pk/2
21-0057	95914	GS-2250DL	#DL225-10	10	Grease Seal, 2-1/4" ID



**BALL MOUNT 2-BIKE RACK**

- This ball mount bike rack is a fast and easy solution for your bicycle hauling needs
- Easy to use trailer ball mount bike racks attach under your hitch with your hitch ball and nut securing the carrier
- Drop down feature allows quick access to rear of most vehicles.
- Holds two bicycles
- Heavy metal design
- Powder-coated finish
- Load capacity: 60 lbs.

16-0175 81145 Ball Mount Bike Rack

**HITCH MOUNT 2-BIKE RACK**

- Holds two bicycles
- Heavy metal design
- Powder-coated finish
- Drop down feature allows quick access to rear of most vehicles.
- Rubber cradles can be locked to protect bikes from theft.
- Mounts to 2" receiver
- Load capacity: 60 lbs.

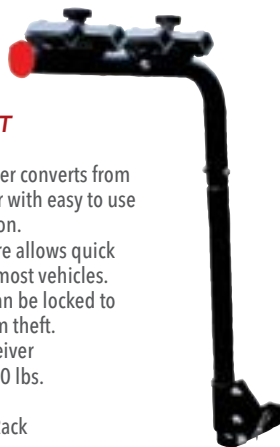
16-0169 81146



**HITCH MOUNT 4-BIKE RACK**

- Deluxe steel carrier converts from 2 to 4 bike carrier with easy to use included extension.
- Drop down feature allows quick access to rear of most vehicles.
- Rubber cradles can be locked to protect bikes from theft.
- Mounts to 2" receiver
- Load capacity: 120 lbs.

Hitch Mount Bike Rack  
16-0170 81147



**EXTRA WIDE STEEL CARGO CARRIER**

- Large 23.5" x 60" x 3" platform for maximum cargo space
- Rugged long lasting powder coat steel construction
- Extra tie down utility holes so cargo stays put
- Fits 2" hitch receiver
- Non-folding.
- 500 lb. capacity.

05-0049 81148 EW Cargo Carrier 500 lbs.



**60" x 20" x 6" HEAVY-DUTY FOLDABLE CARGO CARRIER**

- Heavy duty, all steel square tubular construction
- Extension bar fits 2" receiver
- Corrosion-resistant
- Powder-coated
- Folds up when not in use
- Inside rack measurement: 58" long x 18" wide x 5.5" deep
- 500 lb. capacity

05-0048 81149 HD Cargo Carrier 500 lbs.



◀ Folds up when not in use.



**500-lbs. ALUMINUM MOBILITY WHEELCHAIR AND SCOOTER CARRIER**

- The extra wide bed of this aluminum wheelchair carrier accommodates most mobility vehicles up to 500 lbs.
- Features an aluminum construction making it lightweight and easy to attach to any 2" trailer hitch
- The gradual slope on the fold-up ramp makes loading your wheelchair or mobility scooter a breeze while two tie-down anchor points secure and stabilize your wheelchair or scooter during transport
- Carrier measures: 50-1/4" W x 31" D x 4" H, Ramp: 47" W x 29-1/2" D
- 500 lbs. capacity

71-7967 88133 Wheelchair/Scoter Carrier





**2-TIER WD DISPLAY STAND**

Holds two Weight Distribution hitches including Centerline TS and Roundbar styles.

33144      2 Tier W/D Display

**WD DISPLAY STAND**  
Holds one Weight Distribution hitch including Centerline TS and Roundbar styles.

31370      W/D Display Stand



**5TH WHEEL DISPLAY STAND**

Universal display stand holds all Husky 5th Wheel hitches including adapters.

33145      Universal Display Stand





## 36" WIRING Plan-o-gram

19-3194	13191	(2) 4 WIRE FLAT CAR END HUSKY
19-3231	30247	CONNECTOR 4WAY FLAT 60IN
19-3193	13190	4 WIRE FLAT CAR END HUSKY
71-5229	33068	CONNECTOR 7 RV BLADE
71-5228	33067	CONNECTOR 7 BLADE ILLUMINATED
19-3200	30175	SOCKET USCAR 7-WAY
71-5218	33057	CONNECTOR 7 WAY BLADE AND 4 WAY
71-5221	33060	CONNECTOR EXT.48" 4 WIRE FLAT PLUG W/LED
71-5223	33062	CONNECTOR EXT.48" 4 WIRE FLAT PLUG
71-5224	33063	CONNECTOR EXT.48" 4 WIRE FLAT PLUG W/LED
71-5225	33064	CONNECTOR Ext. 12" 4 WIRE FLAT PLUG
71-5226	33065	CONNECTOR EXT. 12" 4 WIRE FLAT PLUG W/LED
71-5227	33066	CONNECTOR EXT. 12" 4 WIRE FLAT PLUG
71-5219	33058	CONNECTOR KIT 7 WAY BLADE AND 4 WAY
71-5222	33061	CONNECTOR ADAPTER 4 WIRE FLAT
71-5231	33070	DIODE; QUICK-LOCK RV TOWING 5AMP SET OF 4
71-5232	33071	DIODE; QUICK-LOCK RV TOWING 5AMP SINGLE
19-3217	30259	CONNECTOR 2-WAY FLAT PAK/2
19-3853	30280	CONNECTOR 4-WAY FLAT PAK/1
19-3196	13192	4 WIRE FLAT TRL END HUSKY
19-3186	13092	7:4 MULTI-TOW ADAPTER HUSKY
19-3699	13166	4FLAT TO 7BLADE ADPT HUSKY
71-5220	33059	CONNECTOR KIT 4 WAY AND 7 WAY ROUND
19-3207	30315	ADAPTER 6ROUND TO 4FLAT
19-3838	14437	ADAPT MULTI TOW 7 TO 5 4 HUSKY
19-3209	30692	ADAPTER 7RD BLADE TO 5FLAT
19-3703	30693	WIRING ADPTR 6-P AG-7-PIN
19-3189	13170	7BLADE TO 4FLAT ADAPT HUSKY
17-0658	30428	TAIL LIGHT CONV HUSKY
71-5229	33068	CONNECTOR TRAILER SIDE PLUG 7 RV BLADE
17-0674	32253	B/C HARNESS HUSKY T/S GM
17-0668	31866	B/C HARNESS HUSKY T/S GM
17-0662	31860	B/C HARNESS HUSKY T/S FORD
14-0982	30462	HUSKY LED BREAKAWAY SWITCH
17-0645	31555	BRAKE CONTROLLER ESCORT
17-0655	31698	WIRING HARNESS HUSKY FORD
17-0646	31899	(2) BRAKE CONTROLLER QUEST T/S
17-0667	31865	B/C HARNESS HUSKY T/S GM
17-0666	31864	B/C HARNESS HUSKY T/S DODGE
17-0694	31869	B/C HARNESS HUSKY T/S DODGE
17-0672	32079	B/C HARNESS HUSKY T/S '13 DGE
17-0690	31689	UNIVERSAL B/C HARNESS FORD
17-0664	31862	B/C HARNESS HUSKY T/S FORD
17-0659	31858	B/C HARNESS HUSKY T/S NISSAN
17-0669	31867	B/C HARNESS HUSKY T/S TOYOTA
19-3250	32582	(2) BRACKET 7&9WAY BLACK BULK
19-3247	32576	(2) CONNECTOR 7WAY PLAST CAR BULK
19-3246	32569	(3) CONNECTOR 6WAY ZINC TRL BULK
19-3218	30312	(4) CONNECTOR 4-WAY FLAT BULK

81-0828 32003KIT 3ft Wiring POG

## 48" WIRING Plan-o-gram

19-3194	13191	(2) 4 WIRE FLAT CAR END HUSKY
19-3231	30247	(2) CONNECTOR 4WAY FLAT 60IN
19-3193	13190	4 WIRE FLAT CAR END HUSKY
71-5229	33068	CONNECTOR 7 RV BLADE
71-5228	33067	CONNECTOR 7 BLADE ILLUMINATED
19-3200	30175	(2) SOCKET USCAR 7-WAY
71-5218	33057	CONNECTOR 7 WAY BLADE AND 4 WAY
71-5221	33060	CONNECTOR EXT.48" 4 WIRE FLAT PLUG W/LED
71-5223	33062	CONNECTOR EXT.48" 4 WIRE FLAT PLUG
71-5224	33063	CONNECTOR EXT.48" 4 WIRE FLAT PLUG W/LED
71-5225	33064	CONNECTOR Ext. 12" 4 WIRE FLAT PLUG
71-5226	33065	CONNECTOR EXT. 12" 4 WIRE FLAT PLUG W/LED
71-5227	33066	(2) CONNECTOR EXT. 12" 4 WIRE FLAT PLUG
71-5219	33058	(2) CONNECTOR KIT 7 WAY BLADE AND 4 WAY
71-5222	33061	(2) CONNECTOR ADAPTER 4 WIRE FLAT
71-5231	33070	DIODE; QUICK-LOCK RV TOWING 5AMP SET OF 4
71-5232	33071	DIODE; QUICK-LOCK RV TOWING 5AMP SINGLE
19-3217	30259	CONNECTOR 2-WAY FLAT PAK/2
19-3853	30280	(2) CONNECTOR 4-WAY FLAT PAK/1
19-3196	13192	4 WIRE FLAT TRL END HUSKY
19-3186	13092	7:4 MULTI-TOW ADAPTER HUSKY
19-3699	13166	(2) 4FLAT TO 7BLADE ADPT HUSKY
71-5220	33059	CONNECTOR KIT 4 WAY AND 7 WAY ROUND
19-3207	30315	(2) ADAPTER 6ROUND TO 4FLAT
19-3838	14437	ADAPT MULTI TOW 7 TO 5 4 HUSKY
19-3209	30692	(2) ADAPTER 7RD BLADE TO 5FLAT
19-3703	30693	(2) WIRING ADPTR 6-P AG-7-PIN
19-3189	13170	7BLADE TO 4FLAT ADAPT HUSKY
17-0658	30428	TAIL LIGHT CONV HUSKY
71-5229	33068	CONNECTOR TRAILER SIDE PLUG 7 RV BLADE
17-0674	32253	B/C HARNESS HUSKY T/S GM
17-0668	31866	B/C HARNESS HUSKY T/S GM
17-0662	31860	B/C HARNESS HUSKY T/S FORD
14-0982	30462	HUSKY LED BREAKAWAY SWITCH
17-0645	31555	(2) BRAKE CONTROLLER ESCORT
17-0655	31698	WIRING HARNESS HUSKY FORD
17-0646	31899	(3) BRAKE CONTROLLER QUEST T/S
17-0667	31865	B/C HARNESS HUSKY T/S GM
17-0666	31864	(2) B/C HARNESS HUSKY T/S DODGE
17-0694	31869	B/C HARNESS HUSKY T/S DODGE
17-0672	32079	B/C HARNESS HUSKY T/S '13 DGE
17-0690	31689	UNIVERSAL B/C HARNESS FORD
17-0664	31862	B/C HARNESS HUSKY T/S FORD
17-0659	31858	(2) B/C HARNESS HUSKY T/S NISSAN
17-0669	31867	(2) B/C HARNESS HUSKY T/S TOYOTA
19-3250	32582	(3) BRACKET 7&9WAY BLACK BULK
19-3247	32576	(4) CONNECTOR 7WAY PLAST CAR BULK
19-3246	32569	(4) CONNECTOR 6WAY ZINC TRL BULK
19-3218	30312	(4) CONNECTOR 4-WAY FLAT BULK

81-0829 32004KIT 4ft Wiring POG



**NEW**



Part	Year Range	Make	Model	Style	Size (IN)	Gross Trailer Weight (LBS)	Gross Tongue Weight (LBS)	W/D Weight (LBS)	W/D Tongue Weight (LBS)
69471C	2001-2006	Acura	MDX	ALL	2	3,500 LB	350 LB	5,000 LB	500 LB
69576C	2007-2013	Acura	MDX	W/o Full Size Spare	2	4,000 LB	400 LB	5,000 LB	500 LB
69549C	2014-2014	Acura	MDX	SH-AWD	2	6,000 LB	900 LB	8,000 LB	900 LB
69549C	2014-2018	Acura	MDX	Base	2	6,000 LB	900 LB	8,000 LB	900 LB
69549C	2017-2018	Acura	MDX	Sport Hybrid	2	6,000 LB	900 LB	8,000 LB	900 LB
69570C	2013-2018	Acura	RDX	Base	2	4,000 LB	600 LB	n/a	n/a
69572C	2009-2012	Audi	Q5	ALL	2	5,000 LB	750 LB	n/a	n/a
69572C	2013-2016	Audi	Q5	Premium	2	5,000 LB	750 LB	n/a	n/a
69572C	2013-2016	Audi	Q5	Premium Plus	2	5,000 LB	750 LB	n/a	n/a
69572C	2013-2016	Audi	Q5	Prestige	2	5,000 LB	750 LB	n/a	n/a
69572C	2014-2016	Audi	Q5	TDI Premium Plus	2	5,000 LB	750 LB	n/a	n/a
69572C	2014-2016	Audi	Q5	TDI Prestige	2	5,000 LB	750 LB	n/a	n/a
69572C	2017-2017	Audi	Q5	ALL	2	5,000 LB	750 LB	n/a	n/a
69604C	2007-2015	Audi	Q7	Quattro	2	6,000 LB	600 LB	n/a	n/a
69597C	2011-2017	BMW	X3	ALL	2	3,500 LB	350 LB	4,000 LB	400 LB
69597C	2015-2016	BMW	X4	xDrive35i	2	3,500 LB	350 LB	4,000 LB	400 LB
69597C	2015-2018	BMW	X4	xDrive28i	2	3,500 LB	350 LB	4,000 LB	400 LB
69597C	2016-2018	BMW	X4	M40i	2	3,500 LB	350 LB	4,000 LB	400 LB
69568C	2007-2017	BMW	X5	ALL	2	6,000 LB	600 LB	6,000 LB	600 LB
69568C	2014-2017	BMW	X6	ALL	2	6,000 LB	600 LB	6,000 LB	600 LB
69477C	2008-2017	Buick	Enclave	ALL	2	5,000 LB	500 LB	6,000 LB	600 LB
69566C	2010-2016	Cadillac	SRX	ALL	2	5,000 LB	500 LB	6,000 LB	600 LB
69596C	1988-1998	Chevrolet	C1500	Dual Exhaust Only	2	6,000 LB	600 LB	10,000 LB	1,000 LB
69596C	1988-2000	Chevrolet	C2500	Dual Exhaust Only	2	6,000 LB	600 LB	10,000 LB	1,000 LB
69596C	1988-2000	Chevrolet	C3500	Dual Exhaust Only	2	6,000 LB	600 LB	10,000 LB	1,000 LB
69596C	1991-2000	Chevrolet	C3500HD	Dual Exhaust Only	2	6,000 LB	600 LB	10,000 LB	1,000 LB
69598C	2012-2015	Chevrolet	Captiva Sport	ALL	2	3,500 LB	350 LB	4,000 LB	400 LB
69461C	2004-2012	Chevrolet	Colorado	ALL	2	4,000 LB	400 LB	6,000 LB	600 LB
69533C	2015-2018	Chevrolet	Colorado	WT	2	6,000 LB	900 LB	8,000 LB	900 LB
69533C	2015-2018	Chevrolet	Colorado	LT	2	6,000 LB	900 LB	8,000 LB	900 LB
69533C	2015-2018	Chevrolet	Colorado	Z71	2	6,000 LB	900 LB	8,000 LB	900 LB
69533C	2015-2018	Chevrolet	Colorado	Base	2	6,000 LB	900 LB	8,000 LB	900 LB
69534C	2015-2018	Chevrolet	Colorado	WT	2	8,000 LB	800 LB	10,000 LB	1,000 LB
69534C	2015-2018	Chevrolet	Colorado	LT	2	8,000 LB	800 LB	10,000 LB	1,000 LB
69534C	2015-2018	Chevrolet	Colorado	Z71	2	8,000 LB	800 LB	10,000 LB	1,000 LB
69534C	2015-2018	Chevrolet	Colorado	Base	2	8,000 LB	800 LB	10,000 LB	1,000 LB
69533C	2017-2017	Chevrolet	Colorado	ZR2	2	6,000 LB	900 LB	8,000 LB	900 LB
69534C	2017-2017	Chevrolet	Colorado	ZR2	2	8,000 LB	800 LB	10,000 LB	1,000 LB
69488C	2005-2017	Chevrolet	Equinox	ALL	2	3,500 LB	350 LB	4,000 LB	400 LB
69611C	2018-2018	Chevrolet	Equinox	ALL	2	3,500 LB	525 LB	n/a	n/a
69469C	1996-2014	Chevrolet	Express 1500	ALL	2	6,000 LB	600 LB	10,000 LB	1,000 LB
69469C	1996-2017	Chevrolet	Express 2500	ALL	2	6,000 LB	600 LB	10,000 LB	1,000 LB
69469C	1996-2017	Chevrolet	Express 3500	Standard Passenger Van	2	6,000 LB	600 LB	10,000 LB	1,000 LB
69469C	1996-2017	Chevrolet	Express 3500	Extended Passenger Van	2	6,000 LB	600 LB	10,000 LB	1,000 LB



Part	Year Range	Make	Model	Style	Size (IN)	Gross Trailer Weight (LBS)	Gross Tongue Weight (LBS)	W/D Weight (LBS)	W/D Tongue Weight (LBS)
69469C	1996-2017	Chevrolet	Express 3500	Standard Cargo Van	2	6,000 LB	600 LB	10,000 LB	1,000 LB
69469C	1996-2017	Chevrolet	Express 3500	Extended Cargo Van	2	6,000 LB	600 LB	10,000 LB	1,000 LB
69523C	1983-2004	Chevrolet	S10	ALL	2	4,000 LB	400 LB	6,000 LB	600 LB
69652C	1999-2002	Chevrolet	Silverado 1500	ALL	2	6,000 LB	600 LB	10,000 LB	1,000 LB
69551C	1999-2005	Chevrolet	Silverado 1500	Base	2	6,000 LB	600 LB	10,000 LB	1,000 LB
69551C	1999-2006	Chevrolet	Silverado 1500	LS	2	6,000 LB	600 LB	10,000 LB	1,000 LB
69551C	1999-2007	Chevrolet	Silverado 1500	LT	2	6,000 LB	600 LB	10,000 LB	1,000 LB
69551C	2002-2004	Chevrolet	Silverado 1500	WT	2	6,000 LB	600 LB	10,000 LB	1,000 LB
69652C	2003-2004	Chevrolet	Silverado 1500	WT	2	6,000 LB	600 LB	10,000 LB	1,000 LB
69652C	2003-2005	Chevrolet	Silverado 1500	Base	2	6,000 LB	600 LB	10,000 LB	1,000 LB
69652C	2003-2006	Chevrolet	Silverado 1500	LS	2	6,000 LB	600 LB	10,000 LB	1,000 LB
69652C	2003-2006	Chevrolet	Silverado 1500	LT	2	6,000 LB	600 LB	10,000 LB	1,000 LB
69551C	2004-2004	Chevrolet	Silverado 1500	Z71	2	6,000 LB	600 LB	10,000 LB	1,000 LB
69652C	2004-2004	Chevrolet	Silverado 1500	Z71	2	6,000 LB	600 LB	10,000 LB	1,000 LB
69551C	2004-2006	Chevrolet	Silverado 1500	Hybrid	2	6,000 LB	600 LB	10,000 LB	1,000 LB
69652C	2004-2006	Chevrolet	Silverado 1500	Hybrid	2	6,000 LB	600 LB	10,000 LB	1,000 LB
69652C	2006-2006	Chevrolet	Silverado 1500	WT	2	6,000 LB	600 LB	10,000 LB	1,000 LB
69551C	2006-2007	Chevrolet	Silverado 1500	WT	2	6,000 LB	600 LB	10,000 LB	1,000 LB
69551C	2007-2007	Chevrolet	Silverado 1500	LTZ	2	6,000 LB	600 LB	10,000 LB	1,000 LB
69652C	2007-2013	Chevrolet	Silverado 1500	ALL	2	6,000 LB	600 LB	10,000 LB	1,000 LB
69456C	2007-2018	Chevrolet	Silverado 1500	ALL	2	6,000 LB	600 LB	10,000 LB	1,000 LB
69524C	2014-2018	Chevrolet	Silverado 1500	ALL	2	6,000 LB	600 LB	10,000 LB	1,000 LB
69456C	2007-2007	Chevrolet	Silverado 1500 Classic	ALL	2	6,000 LB	600 LB	10,000 LB	1,000 LB
69551C	2007-2007	Chevrolet	Silverado 1500 Classic	WT	2	6,000 LB	600 LB	10,000 LB	1,000 LB
69551C	2007-2007	Chevrolet	Silverado 1500 Classic	LT	2	6,000 LB	600 LB	10,000 LB	1,000 LB
69551C	2007-2007	Chevrolet	Silverado 1500 Classic	LS	2	6,000 LB	600 LB	10,000 LB	1,000 LB
69551C	2007-2007	Chevrolet	Silverado 1500 Classic	Hybrid	2	6,000 LB	600 LB	10,000 LB	1,000 LB
69652C	2007-2007	Chevrolet	Silverado 1500 Classic	ALL	2	6,000 LB	600 LB	10,000 LB	1,000 LB
69551C	2001-2003	Chevrolet	Silverado 1500 HD	ALL	2	6,000 LB	600 LB	10,000 LB	1,000 LB
69652C	2001-2003	Chevrolet	Silverado 1500 HD	ALL	2	6,000 LB	600 LB	10,000 LB	1,000 LB
69551C	2005-2006	Chevrolet	Silverado 1500 HD	ALL	2	6,000 LB	600 LB	10,000 LB	1,000 LB
69652C	2005-2006	Chevrolet	Silverado 1500 HD	ALL	2	6,000 LB	600 LB	10,000 LB	1,000 LB
69456C	2007-2007	Chevrolet	Silverado 1500 HD Classic	ALL	2	6,000 LB	600 LB	10,000 LB	1,000 LB
69551C	2007-2007	Chevrolet	Silverado 1500 HD Classic	ALL	2	6,000 LB	600 LB	10,000 LB	1,000 LB
69652C	2007-2007	Chevrolet	Silverado 1500 HD Classic	ALL	2	6,000 LB	600 LB	10,000 LB	1,000 LB
69596C	1999-2000	Chevrolet	Silverado 2500	Dual Exhaust Only	2	6,000 LB	600 LB	10,000 LB	1,000 LB
69551C	1999-2004	Chevrolet	Silverado 2500	ALL	2	6,000 LB	600 LB	10,000 LB	1,000 LB
69652C	1999-2004	Chevrolet	Silverado 2500	ALL	2	6,000 LB	600 LB	10,000 LB	1,000 LB
69477C	2009-2017	Chevrolet	Traverse	ALL	2	5,000 LB	500 LB	6,000 LB	600 LB
69606C	2005-2010	Chrysler	300	ALL	2	3,500 LB	350 LB	n/a	n/a
69480C	1996-2007	Chrysler	Town & Country	Except with Stow-n-Go and Sport	2	4,000 LB	400 LB	5,000 LB	500 LB
69588C	2004-2007	Chrysler	Town & Country	With Stow-n-Go	2	3,500 LB	350 LB	4,000 LB	400 LB
69479C	2008-2016	Chrysler	Town & Country	With Stow-n-Go	2	4,000 LB	400 LB	5,000 LB	500 LB
69480C	2000-2003	Chrysler	Voyager	ALL	2	4,000 LB	400 LB	5,000 LB	500 LB
69480C	1996-2003	Dodge	Caravan	ALL	2	4,000 LB	400 LB	5,000 LB	500 LB
69480C	2004-2007	Dodge	Caravan	Except with Stow-n-Go and Sport	2	4,000 LB	400 LB	5,000 LB	500 LB
69588C	2004-2007	Dodge	Caravan	With Stow-n-Go	2	3,500 LB	350 LB	4,000 LB	400 LB
69606C	2008-2010	Dodge	Challenger	ALL	2	3,500 LB	350 LB	n/a	n/a
69606C	2006-2010	Dodge	Charger	ALL	2	3,500 LB	350 LB	n/a	n/a
69571C	1968-1974	Dodge	D100 Pickup	ALL	2	6,000 LB	600 LB	10,000 LB	1,000 LB
69571C	1977-1993	Dodge	D150	ALL	2	6,000 LB	600 LB	10,000 LB	1,000 LB
69571C	1968-1974	Dodge	D200 Pickup	ALL	2	6,000 LB	600 LB	10,000 LB	1,000 LB
69571C	1981-1993	Dodge	D250	ALL	2	6,000 LB	600 LB	10,000 LB	1,000 LB
69571C	1968-1974	Dodge	D300 Pickup	ALL	2	6,000 LB	600 LB	10,000 LB	1,000 LB
69571C	1981-1993	Dodge	D350	ALL	2	6,000 LB	600 LB	10,000 LB	1,000 LB
69575C	1987-2004	Dodge	Dakota	Pickup, All	2	5,000 LB	500 LB	8,000 LB	800 LB
69502C	2005-2010	Dodge	Dakota	Pickup, All	2	5,000 LB	500 LB	5,500 LB	550 LB
69531C	2011-2011	Dodge	Durango	ALL	2	5,000 LB	750 LB	7,500 LB	750 LB
69531C	2011-2012	Dodge	Durango	ALL	2	5,000 LB	750 LB	7,500 LB	750 LB
69531C	2012-2013	Dodge	Durango	ALL	2	5,000 LB	750 LB	7,500 LB	750 LB
69531C	2013-2014	Dodge	Durango	ALL	2	5,000 LB	750 LB	7,500 LB	750 LB
69531C	2014-2015	Dodge	Durango	ALL	2	5,000 LB	750 LB	7,500 LB	750 LB
69531C	2015-2016	Dodge	Durango	ALL	2	5,000 LB	750 LB	7,500 LB	750 LB
69531C	2016-2016	Dodge	Durango	ALL	2	5,000 LB	750 LB	7,500 LB	750 LB
69531C	2017-2017	Dodge	Durango	W/o Full Size Spare	2	5,000 LB	750 LB	7,500 LB	750 LB
69531C	2018-2018	Dodge	Durango	R/T	2	5,000 LB	750 LB	7,500 LB	750 LB
69531C	2018-2018	Dodge	Durango	Citadel	2	5,000 LB	750 LB	7,500 LB	750 LB

# HUSKY® CLASS III RECEIVER HITCHES



Part	Year Range	Make	Model	Style	Size (IN)	Gross Trailer Weight (LBS)	Gross Tongue Weight (LBS)	W/D Weight (LBS)	W/D Tongue Weight (LBS)
69531C	2018-2018	Dodge	Durango	GT	2	5,000 LB	750 LB	7,500 LB	750 LB
69531C	2018-2018	Dodge	Durango	SXT	2	5,000 LB	750 LB	7,500 LB	750 LB
69531C	2018-2018	Dodge	Durango	Special Service	2	5,000 LB	750 LB	7,500 LB	750 LB
69480C	2004-2007	Dodge	Grand Caravan	Except with Stow-n-Go and Sport	2	4,000 LB	400 LB	5,000 LB	500 LB
69588C	2004-2007	Dodge	Grand Caravan	With Stow-n-Go	2	3,500 LB	350 LB	4,000 LB	400 LB
69479C	2008-2017	Dodge	Grand Caravan	With Stow-n-Go	2	4,000 LB	400 LB	5,000 LB	500 LB
69505C	2009-2010	Dodge	Journey	SXT	2	4,000 LB	400 LB	4,000 LB	400 LB
69505C	2009-2010	Dodge	Journey	SE	2	4,000 LB	400 LB	4,000 LB	400 LB
69505C	2009-2016	Dodge	Journey	R/T	2	4,000 LB	400 LB	4,000 LB	400 LB
69505C	2010-2010	Dodge	Journey	Base	2	4,000 LB	400 LB	4,000 LB	400 LB
69505C	2010-2013	Dodge	Journey	Crew	2	4,000 LB	400 LB	4,000 LB	400 LB
69505C	2011-2011	Dodge	Journey	Lux	2	4,000 LB	400 LB	4,000 LB	400 LB
69505C	2011-2011	Dodge	Journey	Mainstreet	2	4,000 LB	400 LB	4,000 LB	400 LB
69505C	2011-2011	Dodge	Journey	Express	2	4,000 LB	400 LB	4,000 LB	400 LB
69505C	2012-2013	Dodge	Journey	AVP	2	4,000 LB	400 LB	4,000 LB	400 LB
69505C	2012-2018	Dodge	Journey	SXT	2	4,000 LB	400 LB	4,000 LB	400 LB
69505C	2012-2018	Dodge	Journey	SXT	2	4,000 LB	400 LB	4,000 LB	400 LB
69505C	2012-2018	Dodge	Journey	SE	2	4,000 LB	400 LB	4,000 LB	400 LB
69505C	2014-2015	Dodge	Journey	Limited	2	4,000 LB	400 LB	4,000 LB	400 LB
69505C	2014-2018	Dodge	Journey	Crossroad	2	4,000 LB	400 LB	4,000 LB	400 LB
69505C	2015-2015	Dodge	Journey	AVP	2	4,000 LB	400 LB	4,000 LB	400 LB
69505C	2017-2018	Dodge	Journey	GT	2	4,000 LB	400 LB	4,000 LB	400 LB
69606C	2005-2008	Dodge	Magnum	ALL	2	3,500 LB	350 LB	n/a	n/a
69607C	2009-2010	Dodge	Ram 1500	SLT, W/o Factory Receiver	2	6,000 LB	600 LB	10,000 LB	1,000 LB
69607C	2009-2010	Dodge	Ram 1500	TRX, W/o Factory Receiver	2	6,000 LB	600 LB	10,000 LB	1,000 LB
69607C	2009-2010	Dodge	Ram 1500	Laramie, W/o Factory Receiver	2	6,000 LB	600 LB	10,000 LB	1,000 LB
69607C	2009-2010	Dodge	Ram 1500	ST, W/o Factory Receiver	2	6,000 LB	600 LB	10,000 LB	1,000 LB
69607C	2009-2010	Dodge	Ram 1500	TRX4, W/o Factory Receiver	2	6,000 LB	600 LB	10,000 LB	1,000 LB
69607C	2009-2010	Dodge	Ram 1500	Sport, W/o Factory Receiver	2	6,000 LB	600 LB	10,000 LB	1,000 LB
69556C	2007-2009	Dodge	Sprinter 2500	Standard Cargo Van	2	5,000 LB	500 LB	7,500 LB	750 LB
69579C	2007-2009	Dodge	Sprinter 2500	Standard Cargo Van	2	6,000 LB	600 LB	10,000 LB	1,000 LB
69556C	2007-2009	Dodge	Sprinter 3500	Standard Cargo Van	2	5,000 LB	500 LB	7,500 LB	750 LB
69579C	2007-2009	Dodge	Sprinter 3500	Standard Cargo Van	2	6,000 LB	600 LB	10,000 LB	1,000 LB
69571C	1980-1996	Ford	Bronco	ALL	2	6,000 LB	600 LB	10,000 LB	1,000 LB
69586C	1987-1991	Ford	Country Squire	ALL	2	4,000 LB	400 LB	6,000 LB	600 LB
69586C	1992-2011	Ford	Crown Victoria	ALL	2	4,000 LB	400 LB	6,000 LB	600 LB
69498C	2003-2014	Ford	E-150	ALL	2	6,000 LB	600 LB	8,000 LB	800 LB
69498C	2000-2002	Ford	E-150 Econoline	ALL	2	6,000 LB	600 LB	8,000 LB	800 LB
69498C	2003-2014	Ford	E-250	ALL	2	6,000 LB	600 LB	8,000 LB	800 LB
69498C	2000-2002	Ford	E-250 Econoline	ALL	2	6,000 LB	600 LB	8,000 LB	800 LB
69498C	2000-2014	Ford	E-350 Super Duty	ALL	2	6,000 LB	600 LB	8,000 LB	800 LB
69550C		Ford	Edge	ALL	2	4,000 LB	600 LB	N/A	N/A
69491C	2007-2008	Ford	Edge	ALL	2	4,000 LB	400 LB	n/a	n/a
69491C	2009-2013	Ford	Edge	Except EcoBoost	2	4,000 LB	400 LB	n/a	n/a
69491C	2009-2014	Ford	Edge	Including Sport	2	4,000 LB	400 LB	n/a	n/a
69463C	2005-2012	Ford	Escape	ALL	2	3,500 LB	350 LB	5,000 LB	500 LB
69518C	2013-2013	Ford	Escape	SEL	2	3,500 LB	350 LB	5,000 LB	500 LB
69518C	2013-2018	Ford	Escape	Titanium	2	3,500 LB	350 LB	5,000 LB	500 LB
69518C	2013-2018	Ford	Escape	SE	2	3,500 LB	350 LB	5,000 LB	500 LB
69518C	2013-2018	Ford	Escape	S	2	3,500 LB	350 LB	5,000 LB	500 LB
69518C	2018-2018	Ford	Escape	SEL	2	3,500 LB	350 LB	5,000 LB	500 LB
69517C	2011-2017	Ford	Explorer	ALL	2	4,000 LB	400 LB	5,000 LB	500 LB
69571C	1974-1983	Ford	F-100	ALL	2	6,000 LB	600 LB	10,000 LB	1,000 LB
69571C	1975-1997	Ford	F-150	ALL	2	6,000 LB	600 LB	10,000 LB	1,000 LB
69601C	1997-2003	Ford	F-150	ALL	2	6,000 LB	600 LB	10,000 LB	1,000 LB
69516C	2006-2006	Ford	F-150	Except with Factory Equipped Hitch	2	6,000 LB	600 LB	10,000 LB	1,000 LB
69516C	2007-2008	Ford	F-150	Except with Factory Equipped Hitch	2	6,000 LB	600 LB	10,000 LB	1,000 LB
69512C	2009-2014	Ford	F-150	Except with Factory Equipped Hitch	2	6,000 LB	600 LB	11,000 LB	1,100 LB
69608C	2015-2018	Ford	F-150	XLT, W/o Factory Receiver	2	6,000 LB	900 LB	10,000 LB	1,000 LB
69608C	2015-2018	Ford	F-150	King Ranch, W/o Factory Receiver	2	6,000 LB	900 LB	10,000 LB	1,000 LB
69608C	2015-2018	Ford	F-150	Platinum, W/o Factory Receiver	2	6,000 LB	900 LB	10,000 LB	1,000 LB
69608C	2015-2018	Ford	F-150	Lariat, W/o Factory Receiver	2	6,000 LB	900 LB	10,000 LB	1,000 LB
69608C	2015-2018	Ford	F-150	XL, W/o Factory Receiver	2	6,000 LB	900 LB	10,000 LB	1,000 LB
69608C	2016-2018	Ford	F-150	SSV, W/o Factory Receiver	2	6,000 LB	900 LB	10,000 LB	1,000 LB
69608C	2016-2018	Ford	F-150	Limited, W/o Factory Receiver	2	6,000 LB	900 LB	10,000 LB	1,000 LB
69608C	2017-2018	Ford	F-150	Raptor, W/o Factory Receiver	2	6,000 LB	900 LB	10,000 LB	1,000 LB
69601C	2004-2004	Ford	F-150 Heritage	ALL	2	6,000 LB	600 LB	10,000 LB	1,000 LB
69571C	1973-1997	Ford	F-250	ALL	2	6,000 LB	600 LB	10,000 LB	1,000 LB





Part	Year Range	Make	Model	Style	Size (IN)	Gross Trailer Weight (LBS)	Gross Tongue Weight (LBS)	W/D Weight (LBS)	W/D Tongue Weight (LBS)
69601C	1997-1999	Ford	F-250	With 20 in. or smaller spare tire	2	6,000 LB	600 LB	10,000 LB	1,000 LB
69601C	1999-2016	Ford	F-250 Super Duty	With 20 in. or smaller spare tire	2	6,000 LB	600 LB	10,000 LB	1,000 LB
69571C	1973-1997	Ford	F-350	ALL	2	6,000 LB	600 LB	10,000 LB	1,000 LB
69601C	1999-2016	Ford	F-350 Super Duty	With 20 in. or smaller spare tire	2	6,000 LB	600 LB	10,000 LB	1,000 LB
69601C	2008-2015	Ford	F-450 Super Duty	Except Cab and Chassis	2	6,000 LB	600 LB	10,000 LB	1,000 LB
69601C	2016-2016	Ford	F-450 Super Duty	Excluding Cab & Chassis	2	6,000 LB	600 LB	10,000 LB	1,000 LB
69552C	2009-2018	Ford	Flex	With Dual Exhaust	2	4,000 LB	400 LB	4,000 LB	400 LB
69517C	2013-2017	Ford	Police Interceptor Utility	ALL	2	4,000 LB	400 LB	5,000 LB	500 LB
69467C	1983-2011	Ford	Ranger	ALL	2	4,000 LB	400 LB	6,000 LB	600 LB
69563C	1983-2011	Ford	Ranger	ALL	2	4,000 LB	400 LB	6,000 LB	600 LB
69558C	2014-2017	Ford	Transit Connect	ALL	2	3,500 LB	525 LB	4,000 LB	525 LB
69543C	2015-2017	Ford	Transit-150	ALL	2	6,000 LB	900 LB	8,000 LB	900 LB
69543C	2015-2017	Ford	Transit-250	ALL	2	6,000 LB	900 LB	8,000 LB	900 LB
69518C	2015-2017	Ford	Transit-350	ALL	2	3,500 LB	350 LB	5,000 LB	500 LB
69543C	2015-2017	Ford	Transit-350	ALL	2	6,000 LB	900 LB	8,000 LB	900 LB
69556C	2007-2016	Freightliner	Sprinter 2500	Standard Cargo Van	2	5,000 LB	500 LB	7,500 LB	750 LB
69579C	2007-2016	Freightliner	Sprinter 2500	Cargo Van with Standard Bumper	2	6,000 LB	600 LB	10,000 LB	1,000 LB
69556C	2014-2016	Freightliner	Sprinter 2500	Extended Cargo Van	2	5,000 LB	500 LB	7,500 LB	750 LB
69556C	2007-2016	Freightliner	Sprinter 3500	Standard Cargo Van	2	5,000 LB	500 LB	7,500 LB	750 LB
69579C	2007-2016	Freightliner	Sprinter 3500	Cargo Van with Standard Bumper and 170 IN Wheel Base	2	6,000 LB	600 LB	10,000 LB	1,000 LB
69556C	2014-2016	Freightliner	Sprinter 3500	Extended Cargo Van	2	5,000 LB	500 LB	7,500 LB	750 LB
69477C	2007-2016"	GMC	Acadia	ALL	2	5,000 LB	500 LB	6,000 LB	600 LB
69477C	2017-2017	GMC	Acadia Limited	ALL	2	5,000 LB	500 LB	6,000 LB	600 LB
69596C	1988-1998	GMC	C1500	Dual Exhaust Only	2	6,000 LB	600 LB	10,000 LB	1,000 LB
69596C	1988-2000	GMC	C2500	Dual Exhaust Only	2	6,000 LB	600 LB	10,000 LB	1,000 LB
69596C	1988-2000	GMC	C3500	Dual Exhaust Only	2	6,000 LB	600 LB	10,000 LB	1,000 LB
69596C	1991-2000	GMC	C3500HD	Dual Exhaust Only	2	6,000 LB	600 LB	10,000 LB	1,000 LB
69461C	2004-2005	GMC	Canyon	Pickup	2	4,000 LB	400 LB	6,000 LB	600 LB
69461C	2006-2006	GMC	Canyon	ALL	2	4,000 LB	400 LB	6,000 LB	600 LB
69461C	2007-2012	GMC	Canyon	Pickup	2	4,000 LB	400 LB	6,000 LB	600 LB
69461C	2007-2012	GMC	Canyon	Pickup	2	4,000 LB	400 LB	6,000 LB	600 LB
69533C	2015-2018	GMC	Canyon	Base	2	6,000 LB	900 LB	8,000 LB	900 LB
69533C	2015-2018	GMC	Canyon	SLE	2	6,000 LB	900 LB	8,000 LB	900 LB
69533C	2015-2018	GMC	Canyon	SL	2	6,000 LB	900 LB	8,000 LB	900 LB
69533C	2015-2018	GMC	Canyon	SLT	2	6,000 LB	900 LB	8,000 LB	900 LB
69534C	2015-2018	GMC	Canyon	SL	2	8,000 LB	800 LB	10,000 LB	1,000 LB
69534C	2015-2018	GMC	Canyon	Base	2	8,000 LB	800 LB	10,000 LB	1,000 LB
69534C	2015-2018	GMC	Canyon	SLT	2	8,000 LB	800 LB	10,000 LB	1,000 LB
69534C	2015-2018	GMC	Canyon	SLE	2	8,000 LB	800 LB	10,000 LB	1,000 LB
69533C	2017-2018	GMC	Canyon	Denali	2	6,000 LB	900 LB	8,000 LB	900 LB
69534C	2017-2018	GMC	Canyon	Denali	2	8,000 LB	800 LB	10,000 LB	1,000 LB
69523C	1983-1990	GMC	S15	ALL	2	4,000 LB	400 LB	6,000 LB	600 LB
69469C	1996-2014	GMC	Savana 1500	ALL	2	6,000 LB	600 LB	10,000 LB	1,000 LB
69469C	1996-2017	GMC	Savana 2500	ALL	2	6,000 LB	600 LB	10,000 LB	1,000 LB
69469C	1996-2017	GMC	Savana 3500	Standard Cargo Van	2	6,000 LB	600 LB	10,000 LB	1,000 LB
69469C	1996-2017	GMC	Savana 3500	Extended Passenger Van	2	6,000 LB	600 LB	10,000 LB	1,000 LB
69469C	1996-2017	GMC	Savana 3500	Standard Passenger Van	2	6,000 LB	600 LB	10,000 LB	1,000 LB
69469C	1996-2017	GMC	Savana 3500	Extended Cargo Van	2	6,000 LB	600 LB	10,000 LB	1,000 LB
69551C	1999-2007	GMC	Sierra 1500	ALL	2	6,000 LB	600 LB	10,000 LB	1,000 LB
69652C	1999-2013	GMC	Sierra 1500	ALL	2	6,000 LB	600 LB	10,000 LB	1,000 LB
69456C	2007-2018	GMC	Sierra 1500	ALL	2	6,000 LB	600 LB	10,000 LB	1,000 LB
69524C	2014-2018	GMC	Sierra 1500	ALL	2	6,000 LB	600 LB	10,000 LB	1,000 LB
69456C	2007-2007	GMC	Sierra 1500 Classic	ALL	2	6,000 LB	600 LB	10,000 LB	1,000 LB
69551C	2007-2007	GMC	Sierra 1500 Classic	ALL	2	6,000 LB	600 LB	10,000 LB	1,000 LB
69652C	2007-2007	GMC	Sierra 1500 Classic	ALL	2	6,000 LB	600 LB	10,000 LB	1,000 LB
69551C	2001-2003	GMC	Sierra 1500 HD	ALL	2	6,000 LB	600 LB	10,000 LB	1,000 LB
69652C	2001-2003	GMC	Sierra 1500 HD	ALL	2	6,000 LB	600 LB	10,000 LB	1,000 LB
69551C	2005-2006	GMC	Sierra 1500 HD	REGULAR CAB	2	6,000 LB	600 LB	10,000 LB	1,000 LB
69551C	2005-2006	GMC	Sierra 1500 HD	with 10" Drop Bumper	2	6,000 LB	600 LB	10,000 LB	1,000 LB
69551C	2005-2006	GMC	Sierra 1500 HD	ALL	2	6,000 LB	600 LB	10,000 LB	1,000 LB
69551C	2005-2006	GMC	Sierra 1500 HD	CREW CAB	2	6,000 LB	600 LB	10,000 LB	1,000 LB
69551C	2005-2006	GMC	Sierra 1500 HD	Extended Cab	2	6,000 LB	600 LB	10,000 LB	1,000 LB
69551C	2005-2006	GMC	Sierra 1500 HD	Extended Cab (Bushing Mount)	2	6,000 LB	600 LB	10,000 LB	1,000 LB
69551C	2005-2006	GMC	Sierra 1500 HD	Crew Cab (Bushing Mount)	2	6,000 LB	600 LB	10,000 LB	1,000 LB
69551C	2005-2006	GMC	Sierra 1500 HD	Crew Cab with 34" Frame, Except 10" Step Bumper	2	6,000 LB	600 LB	10,000 LB	1,000 LB
69551C	2005-2006	GMC	Sierra 1500 HD	With Tommy Gate Lift	2	6,000 LB	600 LB	10,000 LB	1,000 LB



Part	Year Range	Make	Model	Style	Size (IN)	Gross Trailer Weight (LBS)	Gross Tongue Weight (LBS)	W/D Weight (LBS)	W/D Tongue Weight (LBS)
69551C	2005-2006	GMC	Sierra 1500 HD	Regular Cab(Bushing Mount)	2	6,000 LB	600 LB	10,000 LB	1,000 LB
69652C	2005-2006	GMC	Sierra 1500 HD	ALL	2	6,000 LB	600 LB	10,000 LB	1,000 LB
69456C	2007-2007	GMC	Sierra 1500 HD Classic	ALL	2	6,000 LB	600 LB	10,000 LB	1,000 LB
69551C	2007-2007	GMC	Sierra 1500 HD Classic	ALL	2	6,000 LB	600 LB	10,000 LB	1,000 LB
69652C	2007-2007	GMC	Sierra 1500 HD Classic	ALL	2	6,000 LB	600 LB	10,000 LB	1,000 LB
69596C	1999-2000	GMC	Sierra 2500	Dual Exhaust Only	2	6,000 LB	600 LB	10,000 LB	1,000 LB
69652C	1999-2004	GMC	Sierra 2500	ALL	2	6,000 LB	600 LB	10,000 LB	1,000 LB
69523C	1991-2004	GMC	Sonoma	ALL	2	4,000 LB	400 LB	6,000 LB	600 LB
69488C	2010-2017	GMC	Terrain	ALL	2	3,500 LB	350 LB	4,000 LB	400 LB
69611C	2018-2018	GMC	Terrain	SLT	2	3,500 LB	525 LB	n/a	n/a
69611C	2018-2018	GMC	Terrain	SL	2	3,500 LB	525 LB	n/a	n/a
69611C	2018-2018	GMC	Terrain	Denali	2	3,500 LB	525 LB	n/a	n/a
69611C	2018-2018	GMC	Terrain	SLE	2	3,500 LB	525 LB	n/a	n/a
69592C	1997-2001	Honda	CR-V	ALL	2	3,500 LB	350 LB	n/a	n/a
69581C	2002-2006	Honda	CR-V	ALL	2	3,500 LB	350 LB	n/a	n/a
69555C	2007-2011	Honda	CR-V	ALL	2	3,500 LB	350 LB	n/a	n/a
69510C	2012-2016	Honda	CR-V	ALL	2	3,500 LB	350 LB	n/a	n/a
69582C	2017-2018	Honda	CR-V	EX	2	3,500 LB	525 LB	n/a	n/a
69582C	2017-2018	Honda	CR-V	Touring	2	3,500 LB	525 LB	n/a	n/a
69582C	2017-2018	Honda	CR-V	LX	2	3,500 LB	525 LB	n/a	n/a
69582C	2017-2018	Honda	CR-V	EX-L	2	3,500 LB	525 LB	n/a	n/a
69476C	1999-2017	Honda	Odyssey	ALL	2	3,500 LB	350 LB	5,000 LB	500 LB
69471C	2003-2008	Honda	Pilot	ALL	2	3,500 LB	350 LB	5,000 LB	500 LB
69549C	2016-2016	Honda	Pilot	Elite	2	6,000 LB	900 LB	8,000 LB	900 LB
69549C	2016-2018	Honda	Pilot	EX-L	2	6,000 LB	900 LB	8,000 LB	900 LB
69549C	2016-2018	Honda	Pilot	EX	2	6,000 LB	900 LB	8,000 LB	900 LB
69549C	2016-2018	Honda	Pilot	Touring	2	6,000 LB	900 LB	8,000 LB	900 LB
69549C	2016-2018	Honda	Pilot	LX	2	6,000 LB	900 LB	8,000 LB	900 LB
69547C	2013-2018	Hyunda	Santa Fe	Sport	2	6,000 LB	900 LB	8,000 LB	900 LB
69520C	2010-2012	Hyundai	Santa Fe	ALL	2	3,500 LB	350 LB	n/a	n/a
69559C	2013-2015	Hyundai	Santa Fe	GLS	2	6,000 LB	900 LB	8,000 LB	900 LB
69559C	2013-2017	Hyundai	Santa Fe	Limited	2	6,000 LB	900 LB	8,000 LB	900 LB
69547C	2013-2018	Hyundai	Santa Fe	Sport 2.0T	2	6,000 LB	900 LB	8,000 LB	900 LB
69559C	2016-2018	Hyundai	Santa Fe	SE	2	6,000 LB	900 LB	8,000 LB	900 LB
69547C	2017-2017	Hyundai	Santa Fe	Sport 2.0T Ultimate	2	6,000 LB	900 LB	8,000 LB	900 LB
69547C	2017-2018	Hyundai	Santa Fe	Sport 2.0T Ultimate	2	6,000 LB	900 LB	8,000 LB	900 LB
69559C	2017-2018	Hyundai	Santa Fe	SE Ultimate	2	6,000 LB	900 LB	8,000 LB	900 LB
69594C	2005-2009	Hyundai	Tucson	SUV	2	3,500 LB	350 LB	n/a	n/a
69561C	2010-2014	Hyundai	Tucson	SUV	2	3,500 LB	525 LB	5,250 LB	525 LB
69560C	2010-2015	Hyundai	Tucson	SUV	2	3,500 LB	350 LB	n/a	n/a
69565C	2016-2017	Hyundai	Tucson	Limited	2	3,500 LB	525 LB	n/a	n/a
69565C	2016-2017	Hyundai	Tucson	Eco	2	3,500 LB	525 LB	n/a	n/a
69565C	2016-2017	Hyundai	Tucson	SE	2	3,500 LB	525 LB	n/a	n/a
69565C	2016-2017	Hyundai	Tucson	Sport	2	3,500 LB	525 LB	n/a	n/a
69559C	2017-2018	Hyundai	Santa Fe	Limited Ultimate	2	6,000 LB	900 LB	8,000 LB	900 LB
69554C	2013-2013	Infiniti	JX35	ALL	2	4,000 LB	600 LB	5,000 LB	600 LB
69554C	2014-2017	Infiniti	QX60	ALL	2	4,000 LB	600 LB	5,000 LB	600 LB
69523C	1996-2000	Isuzu	Hombre	ALL	2	4,000 LB	400 LB	6,000 LB	600 LB
69461C	2006-2006	Isuzu	i-280	ALL	2	4,000 LB	400 LB	6,000 LB	600 LB
69461C	2007-2008	Isuzu	i-290	ALL	2	4,000 LB	400 LB	6,000 LB	600 LB
69461C	2006-2006	Isuzu	i-350	ALL	2	4,000 LB	400 LB	6,000 LB	600 LB
69461C	2007-2008	Isuzu	i-370	ALL	2	4,000 LB	400 LB	6,000 LB	600 LB
69522C	1984-2001	Jeep	Cherokee	All, Including Sport	2	5,000 LB	500 LB	6,000 LB	600 LB
69573C	2014-2018	Jeep	Cherokee	Limited	2	5,000 LB	750 LB	6,000 LB	750 LB
69573C	2014-2018	Jeep	Cherokee	Sport	2	5,000 LB	750 LB	6,000 LB	750 LB
69573C	2014-2018	Jeep	Cherokee	Latitude	2	5,000 LB	750 LB	6,000 LB	750 LB
69573C	2014-2018	Jeep	Cherokee	Trailhawk	2	5,000 LB	750 LB	6,000 LB	750 LB
69595C	2014-2018	Jeep	Cherokee	Trailhawk	2	5,000 LB	750 LB	6,000 LB	750 LB
69595C	2014-2018	Jeep	Cherokee	Latitude	2	5,000 LB	750 LB	6,000 LB	750 LB
69595C	2014-2018	Jeep	Cherokee	Limited	2	5,000 LB	750 LB	6,000 LB	750 LB
69595C	2014-2018	Jeep	Cherokee	Sport	2	5,000 LB	750 LB	6,000 LB	750 LB
69573C	2016-2016	Jeep	Cherokee	75th Anniversary	2	5,000 LB	750 LB	6,000 LB	750 LB
69595C	2016-2016	Jeep	Cherokee	75th Anniversary	2	5,000 LB	750 LB	6,000 LB	750 LB
69573C	2017-2018	Jeep	Cherokee	Overland	2	5,000 LB	750 LB	6,000 LB	750 LB
69595C	2017-2018	Jeep	Cherokee	Overland	2	5,000 LB	750 LB	6,000 LB	750 LB
69509C	2011-2017	Jeep	Compass	11th Digit of VIN is 'D'	2	4,000 LB	400 LB	n/a	n/a
69521C	1999-2004	Jeep	Grand Cherokee	Including Laredo and w/ Skid Shield	2	5,000 LB	500 LB	6,000 LB	600 LB
69532C	2007-2010	Jeep	Grand Cherokee	Except SRT8	2	5,000 LB	500 LB	5,500 LB	550 LB



Part	Year Range	Make	Model	Style	Size (IN)	Gross Trailer Weight (LBS)	Gross Tongue Weight (LBS)	W/D Weight (LBS)	W/D Tongue Weight (LBS)
69530C	2011-2011	Jeep	Grand Cherokee	ALL	2	5,000 LB	500 LB	7,500 LB	750 LB
69531C	2011-2017	Jeep	Grand Cherokee	ALL	2	5,000 LB	750 LB	7,500 LB	750 LB
69530C	2012-2012	Jeep	Grand Cherokee	Overland Summit	2	5,000 LB	500 LB	7,500 LB	750 LB
69530C	2012-2013	Jeep	Grand Cherokee	Limited	2	5,000 LB	500 LB	7,500 LB	750 LB
69530C	2012-2013	Jeep	Grand Cherokee	Overland	2	5,000 LB	500 LB	7,500 LB	750 LB
69530C	2012-2017	Jeep	Grand Cherokee	Laredo	2	5,000 LB	500 LB	7,500 LB	750 LB
69530C	2014-2017	Jeep	Grand Cherokee	Summit, Excluding Diesel	2	5,000 LB	500 LB	7,500 LB	750 LB
69530C	2014-2017	Jeep	Grand Cherokee	Overland, Excluding Diesel	2	5,000 LB	500 LB	7,500 LB	750 LB
69530C	2014-2017	Jeep	Grand Cherokee	Limited, Excluding Diesel	2	5,000 LB	500 LB	7,500 LB	750 LB
69530C	2016-2016	Jeep	Grand Cherokee	75th Anniversary	2	5,000 LB	500 LB	7,500 LB	750 LB
69530C	2017-2017	Jeep	Grand Cherokee	Trailhawk, Excluding Diesel	2	5,000 LB	500 LB	7,500 LB	750 LB
69532C	2005-2006	Jeep	Grand Cherokee	ALL	2	5,000 LB	500 LB	5,500 LB	550 LB
69567C	2008-2012	Jeep	Liberty	ALL	2	5,000 LB	500 LB	7,500 LB	750 LB
69509C	2011-2017	Jeep	Patriot	ALL	2	4,000 LB	400 LB	n/a	n/a
69574C	2015-2017	Jeep	Renegade	ALL	2	3,500 LB	525 LB	n/a	n/a
69465C	1997-2006	Jeep	Wrangler	ALL	2	4,000 LB	400 LB	n/a	n/a
69612C	1997-2006	Jeep	Wrangler	ALL	2	4,000 LB	400 LB	n/a	n/a
69482C	2007-2017	Jeep	Wrangler	ALL	2	3,500 LB	350 LB	4,000 LB	400 LB
69585C	2015-2015	Kia	Sedona	Limited	2	4,000 LB	400 LB	4,000 LB	400 LB
69585C	2015-2018	Kia	Sedona	L	2	4,000 LB	400 LB	4,000 LB	400 LB
69585C	2015-2018	Kia	Sedona	EX	2	4,000 LB	400 LB	4,000 LB	400 LB
69585C	2015-2018	Kia	Sedona	SXL	2	4,000 LB	400 LB	4,000 LB	400 LB
69585C	2015-2018	Kia	Sedona	SX	2	4,000 LB	400 LB	4,000 LB	400 LB
69585C	2015-2018	Kia	Sedona	LX	2	4,000 LB	400 LB	4,000 LB	400 LB
69520C	2011-2013	Kia	Sorento	ALL	2	3,500 LB	350 LB	n/a	n/a
69547C	2014-2015	Kia	Sorento	ALL	2	6,000 LB	900 LB	8,000 LB	900 LB
69548C	2016-2017	Kia	Sorento	Limited	2	5,000 LB	750 LB	N/A	N/A
69548C	2016-2018	Kia	Sorento	SX	2	5,000 LB	750 LB	N/A	N/A
69548C	2016-2018	Kia	Sorento	LX	2	5,000 LB	750 LB	N/A	N/A
69548C	2016-2018	Kia	Sorento	L	2	5,000 LB	750 LB	N/A	N/A
69548C	2016-2018	Kia	Sorento	EX	2	5,000 LB	750 LB	N/A	N/A
69548C	2018-2018	Kia	Sorento	SX Limited	2	5,000 LB	750 LB	N/A	N/A
69594C	2005-2010	Kia	Sportage	ALL	2	3,500 LB	350 LB	n/a	n/a
69561C	2010-2016	Kia	Sportage	ALL	2	3,500 LB	525 LB	5,250 LB	525 LB
69560C	2011-2015	Kia	Sportage	Except SX models	2	3,500 LB	350 LB	n/a	n/a
69603C	2017-2018	Kia	Sportage	ALL	2	3,500 LB	525 LB	n/a	n/a
69590C	2010-2017	Lexus	GX460	ALL	2	5,000 LB	500 LB	5,000 LB	500 LB
69577C	2003-2009	Lexus	GX470	ALL	2	5,000 LB	500 LB	5,500 LB	550 LB
69493C	2004-2006	Lexus	RX330	ALL	2	3,500 LB	350 LB	4,000 LB	400 LB
69493C	2007-2009	Lexus	RX350	ALL	2	3,500 LB	350 LB	4,000 LB	400 LB
69557C	2010-2015	Lexus	RX350	ALL	2	4,000 LB	400 LB	5,000 LB	500 LB
69584C	2016-2017	Lexus	RX350	ALL	2	4,000 LB	600 LB	5,000 LB	600 LB
69493C	2006-2008	Lexus	RX400h	ALL	2	3,500 LB	350 LB	4,000 LB	400 LB
69557C	010-2015	Lexus	RX450h	ALL	2	4,000 LB	400 LB	5,000 LB	500 LB
69516C	2006-2008	Lincoln	Mark LT	ALL	2	6,000 LB	600 LB	10,000 LB	1,000 LB
69586C	1980-1983	Lincoln	Mark VI	ALL	2	4,000 LB	400 LB	6,000 LB	600 LB
69552C	2010-2017	Lincoln	MKT	With EcoBoost	2	4,000 LB	400 LB	4,000 LB	400 LB
69491C	2007-2015	Lincoln	MKX	ALL	2	4,000 LB	400 LB	n/a	n/a
69586C	1981-2011	Lincoln	Town Car	ALL	2	4,000 LB	400 LB	6,000 LB	600 LB
69563C	1994-1996	Mazda	B2300	ALL	2	4,000 LB	400 LB	6,000 LB	600 LB
69467C	1994-1997	Mazda	B2300	ALL	2	4,000 LB	400 LB	6,000 LB	600 LB
69467C	2001-2009	Mazda	B2300	ALL	2	4,000 LB	400 LB	6,000 LB	600 LB
69563C	2001-2009	Mazda	B2300	ALL	2	4,000 LB	400 LB	6,000 LB	600 LB
69467C	1994-1996	Mazda	B3000	ALL	2	4,000 LB	400 LB	6,000 LB	600 LB
69563C	1994-1996	Mazda	B3000	ALL	2	4,000 LB	400 LB	6,000 LB	600 LB
69467C	1998-2007	Mazda	B3000	ALL	2	4,000 LB	400 LB	6,000 LB	600 LB
69563C	1998-2007	Mazda	B3000	ALL	2	4,000 LB	400 LB	6,000 LB	600 LB
69467C	1994-2009	Mazda	B4000	ALL	2	4,000 LB	400 LB	6,000 LB	600 LB
69563C	1994-2009	Mazda	B4000	ALL	2	4,000 LB	400 LB	6,000 LB	600 LB
69602C	2013-2017	Mazda	CX-5	ALL	2	4,000 LB	600 LB	n/a	n/a
69587C	2007-2015	Mazda	CX-9	ALL	2	4,000 LB	400 LB	n/a	n/a
69463C	2005-2006	Mazda	Tribute	ALL	2	3,500 LB	350 LB	5,000 LB	500 LB
69463C	2008-2011	Mazda	Tribute	ALL	2	3,500 LB	350 LB	5,000 LB	500 LB
69556C	2010-2016	Mercedes-Benz	Sprinter 2500	Standard Cargo Van	2	5,000 LB	500 LB	7,500 LB	750 LB
69579C	2010-2016	Mercedes-Benz	Sprinter 2500	Standard Cargo Van	2	6,000 LB	600 LB	10,000 LB	1,000 LB
69579C	2010-2016	Mercedes-Benz	Sprinter 2500	Standard Cargo Van	2	6,000 LB	600 LB	10,000 LB	1,000 LB
69556C	2014-2016	Mercedes-Benz	Sprinter 2500	Extended Cargo Van	2	5,000 LB	500 LB	7,500 LB	750 LB
69579C	2014-2016	Mercedes-Benz	Sprinter 2500	Extended Cargo Van	2	6,000 LB	600 LB	10,000 LB	1,000 LB



Part	Year Range	Make	Model	Style	Size (IN)	Gross Trailer Weight (LBS)	Gross Tongue Weight (LBS)	W/D Weight (LBS)	W/D Tongue Weight (LBS)
69556C	2010-2016	Mercedes-Benz	Sprinter 3500	Standard Cargo Van	2	5,000 LB	500 LB	7,500 LB	750 LB
69579C	2010-2016	Mercedes-Benz	Sprinter 3500	Standard Cargo Van	2	6,000 LB	600 LB	10,000 LB	1,000 LB
69556C	2014-2016	Mercedes-Benz	Sprinter 3500	Extended Cargo Van	2	5,000 LB	500 LB	7,500 LB	750 LB
69579C	2014-2016	Mercedes-Benz	Sprinter 3500	Extended Cargo Van	2	6,000 LB	600 LB	10,000 LB	1,000 LB
69586C	1979-1981	Mercury	Grand Marquis	Wagon Wagon	2	4,000 LB	400 LB	6,000 LB	600 LB
69586C	1979-2009	Mercury	Grand Marquis	Sedan	2	4,000 LB	400 LB	6,000 LB	600 LB
69586C	2003-2004	Mercury	Marauder	ALL	2	4,000 LB	400 LB	6,000 LB	600 LB
69463C	2005-2011	Mercury	Mariner	ALL	2	3,500 LB	350 LB	5,000 LB	500 LB
69578C	2014-2017	Mitsubishi	Outlander	ALL	2	4,000 LB	600 LB	4,000 LB	600 LB
69609C	2011-2017	Mitsubishi	Outlander Sport	ALL	2	3,500 LB	350 LB	n/a	n/a
69502C	2006-2009	Mitsubishi	Raider	Pickup	2	5,000 LB	500 LB	5,500 LB	550 LB
69609C	2011-2015	Mitsubishi	RVR	ALL	2	3,500 LB	350 LB	n/a	n/a
69499C	2005-2008	Nissan	Frontier	Nismo Off-Road	2	5,000 LB	500 LB	8,000 LB	800 LB
69499C	2005-2010	Nissan	Frontier	XE	2	5,000 LB	500 LB	8,000 LB	800 LB
69499C	2005-2010	Nissan	Frontier	SE	2	5,000 LB	500 LB	8,000 LB	800 LB
69499C	2005-2010	Nissan	Frontier	SE	2	5,000 LB	500 LB	8,000 LB	800 LB
69499C	2009-2018	Nissan	Frontier	PRO-4X	2	5,000 LB	500 LB	8,000 LB	800 LB
69499C	2011-2018	Nissan	Frontier	SL	2	5,000 LB	500 LB	8,000 LB	800 LB
69499C	2011-2018	Nissan	Frontier	SV	2	5,000 LB	500 LB	8,000 LB	800 LB
69499C	2011-2018	Nissan	Frontier	S	2	5,000 LB	500 LB	8,000 LB	800 LB
69499C	2013-2018	Nissan	Frontier	Desert Runner	2	5,000 LB	500 LB	8,000 LB	800 LB
69599C	2003-2007	Nissan	Murano	ALL	2	3,500 LB	350 LB	n/a	n/a
69519C	2009-2014	Nissan	Murano	ALL	2	4,000 LB	400 LB	n/a	n/a
69540C	2015-2017	Nissan	Murano	ALL	2	3,500 LB	350 LB	n/a	n/a
69554C	2013-2016	Nissan	Pathfinder	ALL	2	4,000 LB	600 LB	5,000 LB	600 LB
69544C	2010-2010	Nissan	Rogue	SL	2	3,500 LB	525 LB	n/a	n/a
69544C	2010-2011	Nissan	Rogue	S	2	3,500 LB	525 LB	n/a	n/a
69544C	2011-2011	Nissan	Rogue	SV	2	3,500 LB	525 LB	n/a	n/a
69544C	2012-2017	Nissan	Rogue	ALL	2	3,500 LB	525 LB	n/a	n/a
69544C	2008-2009	Nissan	Rogue	ALL	2	3,500 LB	525 LB	n/a	n/a
69544C	2014-2015	Nissan	Rogue Select	ALL	2	3,500 LB	525 LB	n/a	n/a
69507C	2004-2015	Nissan	Titan	ALL	2	6,000 LB	600 LB	10,000 LB	1,000 LB
69610C	2017-2017	Nissan	Titan	S	2	8,000 LB	800 LB	12,000 LB	1,200 LB
69610C	2017-2017	Nissan	Titan	SV	2	8,000 LB	800 LB	12,000 LB	1,200 LB
69508C	2000-2004	Nissan	Xterra	ALL	2	4,000 LB	400 LB	6,000 LB	600 LB
69569C	72005-2015	Nissan	Xterra	ALL	2	4,000 LB	400 LB	6,000 LB	600 LB
69480C	1996-2000	Plymouth	Voyager	ALL	2	4,000 LB	400 LB	5,000 LB	500 LB
69488C	2006-2009	Pontiac	Torrent	ALL	2	3,500 LB	350 LB	4,000 LB	400 LB
69604C	2004-2006	Porsche	Cayenne	Except Rear Mount Spare	2	6,000 LB	600 LB	n/a	n/a
69604C	2008-2010	Porsche	Cayenne	Except Rear Mount Spare	2	6,000 LB	600 LB	n/a	n/a
69572C	2015-2017	Porsche	Macan	ALL	2	5,000 LB	750 LB	n/a	n/a
69607C	2011-2011	Ram	1500	Big Horn, w/o Factory Receiver	2	6,000 LB	600 LB	10,000 LB	1,000 LB
69607C	2011-2012	Ram	1500	ST, W/o Factory Receiver	2	6,000 LB	600 LB	10,000 LB	1,000 LB
69607C	2011-2016	Ram	1500	Outdoorsman, w/o Factory Receiver	2	6,000 LB	600 LB	10,000 LB	1,000 LB
69607C	2011-2017	Ram	1500	Big Horn, W/o Factory Receiver	2	6,000 LB	600 LB	10,000 LB	1,000 LB
69607C	2011-2018	Ram	1500	Sport, W/o Factory Receiver	2	6,000 LB	600 LB	10,000 LB	1,000 LB
69607C	2011-2018	Ram	1500	Laramie, W/o Factory Receiver	2	6,000 LB	600 LB	10,000 LB	1,000 LB
69607C	2011-2018	Ram	1500	Laramie Longhorn, W/o Factory Receiver	2	6,000 LB	600 LB	10,000 LB	1,000 LB
69607C	2011-2018	Ram	1500	SLT, W/o Factory Receiver	2	6,000 LB	600 LB	10,000 LB	1,000 LB
69607C	2011-2018	Ram	1500	Tradesman, W/o Factory Receiver	2	6,000 LB	600 LB	10,000 LB	1,000 LB
69607C	2012-2012	Ram	1500	Tradesman HD, W/o Factory Receiver	2	6,000 LB	600 LB	10,000 LB	1,000 LB
69607C	2012-2017	Ram	1500	Express, W/o Factory Receiver	2	6,000 LB	600 LB	10,000 LB	1,000 LB
69607C	2013-2013	Ram	1500	R/T, W/o Factory Receiver	2	6,000 LB	600 LB	10,000 LB	1,000 LB
69607C	2013-2017	Ram	1500	HFE, W/o Factory Receiver	2	6,000 LB	600 LB	10,000 LB	1,000 LB
69607C	2014-2015	Ram	1500	Laramie Limited, W/o Factory Receiver	2	6,000 LB	600 LB	10,000 LB	1,000 LB
69607C	2014-2017	Ram	1500	Lone Star, W/o Factory Receiver	2	6,000 LB	600 LB	10,000 LB	1,000 LB
69607C	2014-2018	Ram	1500	Special Service, W/o Factory Receiver	2	6,000 LB	600 LB	10,000 LB	1,000 LB
69607C	2015-2018	Ram	1500	Rebel, W/o Factory Receiver	2	6,000 LB	600 LB	10,000 LB	1,000 LB
69607C	2015-2018	Ram	1500	Limited, W/o Factory Receiver	2	6,000 LB	600 LB	10,000 LB	1,000 LB
69607C	2018-2018	Ram	1500	ST, W/o Factory Receiver	2	6,000 LB	600 LB	10,000 LB	1,000 LB
69479C	2012-2015	Ram	C/V	ALL	2	4,000 LB	400 LB	5,000 LB	500 LB
69589C	2014-2017	Ram	ProMaster 1500	ALL	2	5,000 LB	500 LB	n/a	n/a
69589C	2014-2017	Ram	ProMaster 2500	ALL	2	5,000 LB	500 LB	n/a	n/a
69589C	2014-2017	Ram	ProMaster 3500	ALL	2	5,000 LB	500 LB	n/a	n/a
69477C	2007-2010	Saturn	Outlook	ALL	2	5,000 LB	500 LB	6,000 LB	600 LB
69488C	2002-2007	Saturn	Vue	ALL	2	3,500 LB	350 LB	4,000 LB	400 LB
69598C	2008-2010	Saturn	Vue	ALL	2	3,500 LB	350 LB	4,000 LB	400 LB





Part	Year Range	Make	Model	Style	Size (IN)	Gross Trailer Weight (LBS)	Gross Tongue Weight (LBS)	W/D Weight (LBS)	W/D Tongue Weight (LBS)
69605C	2016-2017	Subaru	Crosstrek	ALL	2	3,500 LB	525 LB	n/a	n/a
69564C	2009-2013	Subaru	Forester	ALL	2	4,000 LB	400 LB	n/a	n/a
69546C	2014-2018	Subaru	Forester	2.0XT Premium	2	3,500 LB	525 LB	n/a	n/a
69546C	2014-2018	Subaru	Forester	2.5i Premium	2	3,500 LB	525 LB	n/a	n/a
69546C	2014-2018	Subaru	Forester	2.0XT Touring	2	3,500 LB	525 LB	n/a	n/a
69546C	2014-2018	Subaru	Forester	2.5i Limited	2	3,500 LB	525 LB	n/a	n/a
69546C	2014-2018	Subaru	Forester	2.5i	2	3,500 LB	525 LB	n/a	n/a
69546C	2014-2018	Subaru	Forester	2.5i Touring	2	3,500 LB	525 LB	n/a	n/a
69542C	2015-2018	Subaru	Legacy	2.5i	2	4,000 LB	600 LB	n/a	n/a
69542C	2015-2018	Subaru	Legacy	2.5i Limited	2	4,000 LB	600 LB	n/a	n/a
69542C	2015-2018	Subaru	Legacy	2.5i Premium	2	4,000 LB	600 LB	n/a	n/a
69542C	2015-2018	Subaru	Legacy	3.6R Limited	2	4,000 LB	600 LB	n/a	n/a
69542C	2016-2016	Subaru	Legacy	2.5i Touring	2	4,000 LB	600 LB	n/a	n/a
69542C	2017-2018	Subaru	Legacy	2.5i Sport	2	4,000 LB	600 LB	n/a	n/a
69542C	2010-2013	Subaru	Outback	ALL	2	4,000 LB	600 LB	n/a	n/a
69541C	2014-2018	Subaru	Outback	2.5i Limited	2	4,000 LB	600 LB	n/a	n/a
69541C	2014-2018	Subaru	Outback	3.6R Limited	2	4,000 LB	600 LB	n/a	n/a
69541C	2014-2018	Subaru	Outback	2.5i	2	4,000 LB	600 LB	n/a	n/a
69541C	2014-2018	Subaru	Outback	2.5i Premium	2	4,000 LB	600 LB	n/a	n/a
69541C	2017-2018	Subaru	Outback	3.6R Touring	2	4,000 LB	600 LB	n/a	n/a
69541C	2017-2018	Subaru	Outback	2.5i Touring	2	4,000 LB	600 LB	n/a	n/a
69605C	2013-2015	Subaru	XV Crosstrek	ALL	2	3,500 LB	525 LB	n/a	n/a
69499C	2009-2012	Suzuki	Equator	ALL	2	5,000 LB	500 LB	8,000 LB	800 LB
69577C	2003-2009	Toyota	4Runner	ALL	2	5,000 LB	500 LB	5,500 LB	550 LB
69493C	2004-2007	Toyota	Highlander	ALL	2	3,500 LB	350 LB	4,000 LB	400 LB
69475C	2008-2013	Toyota	Highlander	ALL	2	5,000 LB	500 LB	n/a	n/a
69529C	2014-2017	Toyota	Highlander	Hybrid Limited	2	6,000 LB	900 LB	8,000 LB	900 LB
69529C	2014-2017	Toyota	Highlander	LE Plus	2	6,000 LB	900 LB	8,000 LB	900 LB
69529C	2014-2018	Toyota	Highlander	Limited	2	6,000 LB	900 LB	8,000 LB	900 LB
69529C	2014-2018	Toyota	Highlander	XLE	2	6,000 LB	900 LB	8,000 LB	900 LB
69529C	2014-2018	Toyota	Highlander	LE	2	6,000 LB	900 LB	8,000 LB	900 LB
69529C	2017-2017	Toyota	Highlander	Hybrid XLE	2	6,000 LB	900 LB	8,000 LB	900 LB
69529C	2017-2017	Toyota	Highlander	Hybrid LE	2	6,000 LB	900 LB	8,000 LB	900 LB
69529C	2017-2018	Toyota	Highlander	SE	2	6,000 LB	900 LB	8,000 LB	900 LB
69600C	1996-2005	Toyota	RAV4	ALL	2	4,000 LB	400 LB	n/a	n/a
69470C	2006-2012	Toyota	RAV4	Sport	2	3,500 LB	525 LB	4,000 LB	525 LB
69470C	2006-2018	Toyota	RAV4	Limited	2	3,500 LB	525 LB	4,000 LB	525 LB
69470C	2007-2012	Toyota	RAV4	Base	2	3,500 LB	525 LB	4,000 LB	525 LB
69470C	2013-2018	Toyota	RAV4	XLE	2	3,500 LB	525 LB	4,000 LB	525 LB
69470C	2013-2018	Toyota	RAV4	LE	2	3,500 LB	525 LB	4,000 LB	525 LB
69470C	2016-2018	Toyota	RAV4	Hybrid Limited	2	3,500 LB	525 LB	4,000 LB	525 LB
69470C	2016-2018	Toyota	RAV4	Hybrid XLE	2	3,500 LB	525 LB	4,000 LB	525 LB
69470C	2016-2018"	Toyota	RAV4	SE	2	3,500 LB	525 LB	4,000 LB	525 LB
69470C	2017-2018	Toyota	RAV4	Hybrid SE	2	3,500 LB	525 LB	4,000 LB	525 LB
69470C	2017-2018	Toyota	RAV4	Platinum	2	3,500 LB	525 LB	4,000 LB	525 LB
69470C	2018-2018	Toyota	RAV4	Adventure	2	3,500 LB	525 LB	4,000 LB	525 LB
69481C	2004-2017	Toyota	Sienna	ALL	2	3,500 LB	350 LB	5,000 LB	500 LB
69553C	1995-2004	Toyota	Tacoma	ALL	2	5,000 LB	500 LB	6,000 LB	600 LB
69472C	2005-2015	Toyota	Tacoma	ALL	2	5,000 LB	500 LB	5,500 LB	550 LB
69545C	2016-2017	Toyota	Tacoma	ALL	2	6,000 LB	900 LB	8,000 LB	900 LB
69580C	2009-2016	Toyota	Venza	ALL	2	3,500 LB	350 LB	4,000 LB	400 LB
69479C	2009-2014	Volkswagen	Routan	ALL	2	4,000 LB	400 LB	5,000 LB	500 LB
69591C	2009-2017	Volkswagen	Tiguan	ALL	2	3,500 LB	350 LB	n/a	n/a
69604C	2004-2010	Volkswagen	Touareg	ALL	2	6,000 LB	600 LB	n/a	n/a
69583C	2003-2014	Volvo	XC90	ALL	2	3,500 LB	350 LB	5,000 LB	500 LB

### MULTI-FIT CLASS III RECEIVER HITCHES

69458C	See Fit List	See Fit List	See Fit List	See Fit List	2	6,000 LB	600 LB	10,000 LB	1,000 LB
69593C	See Fit List	See Fit List	See Fit List	See Fit List	2	6,000 LB	600 LB	10,000 LB	1,000 LB
69613C	See Fit List	See Fit List	See Fit List	See Fit List	2	8,000 LB	800 LB	12,000 LB	1,200 LB

See Fit List on pages 67 - 72



**NEW**



69593C



69458C



69613C

Part #	Year	Make	Model	Style
69593C	1975-1981	Chevrolet	C10	Cab & Chassis with 34 In. Frame, Except 10 In. Step Bumper
69593C	1975-1986	Chevrolet	C10	Standard Cab with 34 In. Frame, Except 10 In. Step Bumper
69593C	1962-1974	Chevrolet	C10 Pickup	34 In. Frame, Except 10 In. Step Bumper
69593C	1988-1998	Chevrolet	C1500	Standard Cab with 34 In. Frame, Except 10 In. Step Bumper
69593C	1988-1999	Chevrolet	C1500	Extended Cab with 34 In. Frame, Except 10 In. Step Bumper
69593C	1975-1986	Chevrolet	C20	Cab & Chassis with 34 In. Frame, Except 10 In. Step Bumper
69593C	1975-1986	Chevrolet	C20	Crew Cab with 34 In. Frame, Except 10 In. Step Bumper
69593C	1975-1986	Chevrolet	C20	Standard Cab with 34 In. Frame, Except 10 In. Step Bumper
69593C	1962-1974	Chevrolet	C20 Pickup	34 In. Frame, Except 10 In. Step Bumper
69593C	1988-2000	Chevrolet	C2500	Extended Cab with 34 In. Frame, Except 10 In. Step Bumper
69593C	1988-2000	Chevrolet	C2500	Standard Cab with 34 In. Frame, Except 10 In. Step Bumper
69593C	1989-2000	Chevrolet	C2500	Cab & Chassis with 34 In. Frame, Except 10 In. Step Bumper
69593C	1999-2000	Chevrolet	C2500	Crew Cab with 34 In. Frame, Except 10 In. Step Bumper
69593C	1975-1986	Chevrolet	C30	Standard Cab with 34 In. Frame, Except 10 In. Step Bumper
69593C	1975-1986	Chevrolet	C30	Cab & Chassis with 34 In. Frame, Except 10 In. Step Bumper
69593C	1975-1986	Chevrolet	C30	Crew Cab with 34 In. Frame, Except 10 In. Step Bumper
69593C	1962-1974	Chevrolet	C30 Pickup	34 In. Frame, Except 10 In. Step Bumper
69593C	1988-2000	Chevrolet	C3500	Standard Cab with 34 In. Frame, Except 10 In. Step Bumper
69593C	1988-2000	Chevrolet	C3500	Cab & Chassis with 34 In. Frame, Except 10 In. Step Bumper
69593C	1988-2000	Chevrolet	C3500	Extended Cab with 34 In. Frame, Except 10 In. Step Bumper
69593C	1992-2000	Chevrolet	C3500	Crew Cab with 34 In. Frame, Except 10 In. Step Bumper
69593C	1975-1980	Chevrolet	K10	Cab & Chassis with 34 In. Frame, Except 10 In. Step Bumper
69593C	1975-1986	Chevrolet	K10	Standard Cab with 34 In. Frame, Except 10 In. Step Bumper
69593C	1962-1974	Chevrolet	K10 Pickup	34 In. Frame, Except 10 In. Step Bumper

# HUSKY® CLASS III RECEIVER HITCH FIT LIST



Part #	Year	Make	Model	Style
69593C	1988-1998	Chevrolet	K1500	Standard Cab with 34 In. Frame, Except 10 In. Step Bumper
69593C	1988-1999	Chevrolet	K1500	Extended Cab with 34 In. Frame, Except 10 In. Step Bumper
69593C	1975-1986	Chevrolet	K20	Standard Cab with 34 In. Frame, Except 10 In. Step Bumper
69593C	1975-1986	Chevrolet	K20	Cab & Chassis with 34 In. Frame, Except 10 In. Step Bumper
69593C	1962-1974	Chevrolet	K20 Pickup	34 In. Frame, Except 10 In. Step Bumper
69593C	1988-2000	Chevrolet	K2500	Extended Cab with 34 In. Frame, Except 10 In. Step Bumper
69593C	1988-2000	Chevrolet	K2500	Standard Cab with 34 In. Frame, Except 10 In. Step Bumper
69593C	1989-2000	Chevrolet	K2500	Cab & Chassis with 34 In. Frame, Except 10 In. Step Bumper
69593C	1999-2000	Chevrolet	K2500	Crew Cab with 34 In. Frame, Except 10 In. Step Bumper
69593C	1977-1986	Chevrolet	K30	Cab & Chassis with 34 In. Frame, Except 10 In. Step Bumper
69593C	1977-1986	Chevrolet	K30	Standard Cab with 34 In. Frame, Except 10 In. Step Bumper
69593C	1977-1986	Chevrolet	K30	Crew Cab with 34 In. Frame, Except 10 In. Step Bumper
69593C	1968-1974	Chevrolet	K30 Pickup	34 In. Frame, Except 10 In. Step Bumper
69593C	1988-2000	Chevrolet	K3500	Cab & Chassis with 34 In. Frame, Except 10 In. Step Bumper
69593C	1988-2000	Chevrolet	K3500	Extended Cab with 34 In. Frame, Except 10 In. Step Bumper
69593C	1988-2000	Chevrolet	K3500	Standard Cab with 34 In. Frame, Except 10 In. Step Bumper
69593C	1992-2000	Chevrolet	K3500	Crew Cab with 34 In. Frame, Except 10 In. Step Bumper
69613C	1999-2005	Chevrolet	Silverado 1500	Base
69593C	1999-2006	Chevrolet	Silverado 1500	Standard Cab with 34 In. Frame, Except 10 In. Step Bumper
69593C	1999-2006	Chevrolet	Silverado 1500	Extended Cab with 34 In. Frame, Except 10 In. Step Bumper
69613C	1999-2006	Chevrolet	Silverado 1500	LS
69613C	1999-2018	Chevrolet	Silverado 1500	LT
69613C	2002-2004	Chevrolet	Silverado 1500	WT
69613C	2003-2006	Chevrolet	Silverado 1500	SS
69613C	2004-2004	Chevrolet	Silverado 1500	Z71
69593C	2004-2006	Chevrolet	Silverado 1500	Crew Cab with 34 In. Frame, Except 10 In. Step Bumper
69613C	2004-2006	Chevrolet	Silverado 1500	Hybrid
69613C	2006-2018	Chevrolet	Silverado 1500	WT
69613C	2007-2018	Chevrolet	Silverado 1500	LTZ
69613C	2008-2013	Chevrolet	Silverado 1500	LS
69613C	2009-2013	Chevrolet	Silverado 1500	Hybrid
69613C	2010-2013	Chevrolet	Silverado 1500	XFE
69613C	2014-2018	Chevrolet	Silverado 1500	High Country
69613C	2015-2018	Chevrolet	Silverado 1500	SSV
69613C	2015-2018	Chevrolet	Silverado 1500	LS
69613C	2016-2018	Chevrolet	Silverado 1500	Custom
69613C	2007-2007	Chevrolet	Silverado 1500 Classic	ALL
69593C	2001-2003	Chevrolet	Silverado 1500 HD	Crew Cab with 34 In. Frame, Except 10 In. Step Bumper
69613C	2001-2003	Chevrolet	Silverado 1500 HD	ALL
69593C	2005-2006	Chevrolet	Silverado 1500 HD	Crew Cab with 34 In. Frame, Except 10 In. Step Bumper
69613C	2005-2006	Chevrolet	Silverado 1500 HD	ALL
69613C	2007-2007	Chevrolet	Silverado 1500 HD Classic	ALL
69593C	1999-2004	Chevrolet	Silverado 2500	Extended Cab with 34 In. Frame, Except 10 In. Step Bumper
69593C	1999-2004	Chevrolet	Silverado 2500	Standard Cab with 34 In. Frame, Except 10 In. Step Bumper
69593C	1999-2004	Chevrolet	Silverado 2500	Cab & Chassis with 34 In. Frame, Except 10 In. Step Bumper
69613C	1999-2004	Chevrolet	Silverado 2500	ALL
69593C	2004-2004	Chevrolet	Silverado 2500	Crew Cab with 34 In. Frame, Except 10 In. Step Bumper
69613C	2001-2005	Chevrolet	Silverado 2500 HD	Base
69593C	2001-2006	Chevrolet	Silverado 2500 HD	Extended Cab with 34 In. Frame, Except 10 In. Step Bumper
69593C	2001-2006	Chevrolet	Silverado 2500 HD	Standard Cab with 34 In. Frame, Except 10 In. Step Bumper
69593C	2001-2006	Chevrolet	Silverado 2500 HD	Cab & Chassis with 34 In. Frame, Except 10 In. Step Bumper
69593C	2001-2006	Chevrolet	Silverado 2500 HD	Crew Cab with 34 In. Frame, Except 10 In. Step Bumper
69613C	2001-2006	Chevrolet	Silverado 2500 HD	LS
69613C	2001-2018	Chevrolet	Silverado 2500 HD	LT
69613C	2003-2018	Chevrolet	Silverado 2500 HD	WT
69613C	2007-2018	Chevrolet	Silverado 2500 HD	LTZ
69613C	2015-2018	Chevrolet	Silverado 2500 HD	High Country
69613C	2007-2007	Chevrolet	Silverado 2500 HD Classic	ALL
69593C	2001-2006	Chevrolet	Silverado 3500	Cab & Chassis with 34 In. Frame, Except 10 In. Step Bumper
69593C	2001-2006	Chevrolet	Silverado 3500	Crew Cab with 34 In. Frame, Except 10 In. Step Bumper
69593C	2001-2006	Chevrolet	Silverado 3500	Standard Cab with 34 In. Frame, Except 10 In. Step Bumper
69593C	2001-2006	Chevrolet	Silverado 3500	Extended Cab with 34 In. Frame, Except 10 In. Step Bumper
69613C	2001-2006	Chevrolet	Silverado 3500	ALL
69613C	2007-2007	Chevrolet	Silverado 3500 Classic	ALL
69613C	2007-2018	Chevrolet	Silverado 3500 HD	LT
69613C	2007-2018	Chevrolet	Silverado 3500 HD	WT
69613C	2007-2018	Chevrolet	Silverado 3500 HD	LTZ
69613C	2015-2018	Chevrolet	Silverado 3500 HD	High Country

# HUSKY® CLASS III RECEIVER HITCH FIT LIST



Part #	Year	Make	Model	Style
69613C	2002-2010	Dodge	Ram 1500	ALL
69458C	2003-2010	Dodge	Ram 1500	ST, Without Factory Receiver
69458C	2003-2010	Dodge	Ram 1500	SLT, Without Factory Receiver
69458C	2003-2010	Dodge	Ram 1500	Laramie, Without Factory Receiver
69458C	2004-2006	Dodge	Ram 1500	SRT-10, Without Factory Receiver
69458C	2006-2007	Dodge	Ram 1500	Sport, Without Factory Receiver
69458C	2006-2007	Dodge	Ram 1500	TRX4, Without Factory Receiver
69458C	2008-2008	Dodge	Ram 1500	SXT, Without Factory Receiver
69458C	2009-2010	Dodge	Ram 1500	TRX4, Without Factory Receiver
69458C	2009-2010	Dodge	Ram 1500	Sport, Without Factory Receiver
69458C	2009-2010	Dodge	Ram 1500	TRX, Without Factory Receiver
69458C	2003-2003	Dodge	Ram 2500	Laramie, Without Factory Receiver
69613C	2003-2010	Dodge	Ram 2500	ALL
69458C	2003-2010	Dodge	Ram 2500	ST, Without Factory Receiver
69458C	2003-2010	Dodge	Ram 2500	SLT, Without Factory Receiver
69458C	2005-2010	Dodge	Ram 2500	Laramie, Without Factory Receiver
69458C	2006-2007	Dodge	Ram 2500	TRX4, Without Factory Receiver
69458C	2006-2007	Dodge	Ram 2500	Sport, Without Factory Receiver
69458C	2006-2010	Dodge	Ram 2500	Power Wagon, Without Factory Receiver
69458C	2008-2010	Dodge	Ram 2500	SXT, Without Factory Receiver
69458C	2010-2010	Dodge	Ram 2500	TRX, Without Factory Receiver
69613C	2003-2010	Dodge	Ram 3500	ALL
69458C	2003-2010	Dodge	Ram 3500	SLT, Without Factory Receiver
69458C	2003-2010	Dodge	Ram 3500	ST, Without Factory Receiver
69458C	2003-2010	Dodge	Ram 3500	Laramie, Without Factory Receiver
69458C	2006-2007	Dodge	Ram 3500	Sport, Without Factory Receiver
69458C	2007-2007	Dodge	Ram 3500	TRX4, Without Factory Receiver
69458C	2008-2010	Dodge	Ram 3500	SXT, Without Factory Receiver
69593C	1962-1983	Ford	F-100	Standard Cab with 34 In. Frame, Except 10 In. Step Bumper
69593C	1975-1979	Ford	F-100	Cab & Chassis with 34 In. Frame, Except 10 In. Step Bumper
69593C	1975-1979	Ford	F-100	Extended Cab with 34 In. Frame, Except 10 In. Step Bumper
69593C	1975-1979	Ford	F-150	Cab & Chassis with 34 In. Frame, Except 10 In. Step Bumper
69593C	1975-2006	Ford	F-150	Extended Cab with 34 In. Frame, Except 10 In. Step Bumper
69593C	1975-2006	Ford	F-150	Standard Cab with 34 In. Frame, Except 10 In. Step Bumper
69613C	1998-2005	Ford	F-150	ALL
69593C	2001-2006	Ford	F-150	Crew Cab with 34 In. Frame, Except 10 In. Step Bumper
69593C	2004-2004	Ford	F-150 Heritage	Standard Cab with 34 In. Frame, Except 10 In. Step Bumper
69593C	2004-2004	Ford	F-150 Heritage	Extended Cab with 34 In. Frame, Except 10 In. Step Bumper
69613C	2004-2004	Ford	F-150 Heritage	ALL
69593C	1962-1999	Ford	F-250	Standard Cab with 34 In. Frame, Except 10 In. Step Bumper
69593C	1975-1979	Ford	F-250	Crew Cab with 34 In. Frame, Except 10 In. Step Bumper
69593C	1975-1983	Ford	F-250	Cab & Chassis with 34 In. Frame, Except 10 In. Step Bumper
69593C	1975-1999	Ford	F-250	Extended Cab with 34 In. Frame, Except 10 In. Step Bumper
69593C	1983-1983	Ford	F-250	Stripped Chassis with 34 In. Frame, Except 10 In. Step Bumper
69593C	1983-1983	Ford	F-250	Crew Cab with 34 In. Frame, Except 10 In. Step Bumper
69593C	1996-1996	Ford	F-250	Crew Cab with 34 In. Frame, Except 10 In. Step Bumper
69593C	1997-1997	Ford	F-250 HD	Extended Cab with 34 In. Frame, Except 10 In. Step Bumper
69593C	1997-1997	Ford	F-250 HD	Standard Cab with 34 In. Frame, Except 10 In. Step Bumper
69593C	1997-1997	Ford	F-250 HD	Crew Cab with 34 In. Frame, Except 10 In. Step Bumper
69593C	1999-2006	Ford	F-250 Super Duty	Extended Cab with 34 In. Frame, Except 10 In. Step Bumper
69593C	1999-2006	Ford	F-250 Super Duty	Standard Cab with 34 In. Frame, Except 10 In. Step Bumper
69593C	1999-2006	Ford	F-250 Super Duty	Crew Cab with 34 In. Frame, Except 10 In. Step Bumper
69613C	2000-2016	Ford	F-250 Super Duty	ALL
69593C	1962-1997	Ford	F-350	Standard Cab with 34 In. Frame, Except 10 In. Step Bumper
69593C	1975-1979	Ford	F-350	Crew Cab with 34 In. Frame, Except 10 In. Step Bumper
69593C	1975-1981	Ford	F-350	Extended Cab with 34 In. Frame, Except 10 In. Step Bumper
69593C	1975-1997	Ford	F-350	Cab & Chassis with 34 In. Frame, Except 10 In. Step Bumper
69593C	1983-1983	Ford	F-350	Stripped Chassis with 34 In. Frame, Except 10 In. Step Bumper
69593C	1983-1997	Ford	F-350	Crew Cab with 34 In. Frame, Except 10 In. Step Bumper
69593C	1988-1997	Ford	F-350	Extended Cab with 34 In. Frame, Except 10 In. Step Bumper
69593C	1999-2006	Ford	F-350 Super Duty	Cab & Chassis with 34 In. Frame, Except 10 In. Step Bumper
69593C	1999-2006	Ford	F-350 Super Duty	Crew Cab with 34 In. Frame, Except 10 In. Step Bumper
69593C	1999-2006	Ford	F-350 Super Duty	Standard Cab with 34 In. Frame, Except 10 In. Step Bumper
69593C	1999-2006	Ford	F-350 Super Duty	Extended Cab with 34 In. Frame, Except 10 In. Step Bumper
69613C	2000-2016	Ford	F-350 Super Duty	ALL
69613C	1999-2016	Ford	F-450 Super Duty	ALL



# HUSKY® CLASS III RECEIVER HITCH FIT LIST



Part #	Year	Make	Model	Style
69593C	1966-1966	GMC	1500	34 In. Frame, Except 10 In. Step Bumper
69593C	1966-1966	GMC	2500	34 In. Frame, Except 10 In. Step Bumper
69593C	1962-1965	GMC	1500 Series	34 In. Frame, Except 10 In. Step Bumper
69593C	1962-1965	GMC	2500 Series	34 In. Frame, Except 10 In. Step Bumper
69593C	1975-1978	GMC	C15	Cab & Chassis with 34 In. Frame, Except 10 In. Step Bumper
69593C	1975-1978	GMC	C15	Standard Cab with 34 In. Frame, Except 10 In. Step Bumper
69593C	1967-1974	GMC	C15/C1500 Pickup	34 In. Frame, Except 10 In. Step Bumper
69593C	1979-1980	GMC	C1500	Cab & Chassis with 34 In. Frame, Except 10 In. Step Bumper
69593C	1979-1986	GMC	C1500	Standard Cab with 34 In. Frame, Except 10 In. Step Bumper
69593C	1988-1999	GMC	C1500	Extended Cab with 34 In. Frame, Except 10 In. Step Bumper
69593C	1988-1999	GMC	C1500	Standard Cab with 34 In. Frame, Except 10 In. Step Bumper
69593C	1975-1978	GMC	C25	Standard Cab with 34 In. Frame, Except 10 In. Step Bumper
69593C	1975-1978	GMC	C25	Cab & Chassis with 34 In. Frame, Except 10 In. Step Bumper
69593C	1975-1978	GMC	C25	Crew Cab with 34 In. Frame, Except 10 In. Step Bumper
69593C	1967-1974	GMC	C25/C2500 Pickup	34 In. Frame, Except 10 In. Step Bumper
69593C	1979-1986	GMC	C2500	Cab & Chassis with 34 In. Frame, Except 10 In. Step Bumper
69593C	1979-1986	GMC	C2500	Extended Cab with 34 In. Frame, Except 10 In. Step Bumper
69593C	1979-1986	GMC	C2500	Crew Cab with 34 In. Frame, Except 10 In. Step Bumper
69593C	1979-1986	GMC	C2500	Standard Cab with 34 In. Frame, Except 10 In. Step Bumper
69593C	1988-2000	GMC	C2500	Extended Cab with 34 In. Frame, Except 10 In. Step Bumper
69593C	1988-2000	GMC	C2500	Standard Cab with 34 In. Frame, Except 10 In. Step Bumper
69593C	1989-2000	GMC	C2500	Cab & Chassis with 34 In. Frame, Except 10 In. Step Bumper
69593C	1999-2000	GMC	C2500	Crew Cab with 34 In. Frame, Except 10 In. Step Bumper
69593C	1975-1978	GMC	C35	Cab & Chassis with 34 In. Frame, Except 10 In. Step Bumper
69593C	1975-1978	GMC	C35	Crew Cab with 34 In. Frame, Except 10 In. Step Bumper
69593C	1975-1978	GMC	C35	Standard Cab with 34 In. Frame, Except 10 In. Step Bumper
69593C	1977-1978	GMC	C35	Extended Cab with 34 In. Frame, Except 10 In. Step Bumper
69593C	1967-1974	GMC	C35/C3500 Pickup	34 In. Frame, Except 10 In. Step Bumper
69593C	1979-1986	GMC	C3500	Standard Cab with 34 In. Frame, Except 10 In. Step Bumper
69593C	1979-1986	GMC	C3500	Cab & Chassis with 34 In. Frame, Except 10 In. Step Bumper
69593C	1979-1986	GMC	C3500	Crew Cab with 34 In. Frame, Except 10 In. Step Bumper
69593C	1979-1986	GMC	C3500	Extended Cab with 34 In. Frame, Except 10 In. Step Bumper
69593C	1988-2000	GMC	C3500	Standard Cab with 34 In. Frame, Except 10 In. Step Bumper
69593C	1988-2000	GMC	C3500	Cab & Chassis with 34 In. Frame, Except 10 In. Step Bumper
69593C	1988-2000	GMC	C3500	Extended Cab with 34 In. Frame, Except 10 In. Step Bumper
69593C	1992-2000	GMC	C3500	Crew Cab with 34 In. Frame, Except 10 In. Step Bumper
69593C	1966-1966	GMC	K1000	34 In. Frame, Except 10 In. Step Bumper
69593C	1966-1966	GMC	K1000 Pickup	34 In. Frame, Except 10 In. Step Bumper
69593C	1975-1978	GMC	K15	Standard Cab with 34 In. Frame, Except 10 In. Step Bumper
69593C	1975-1978	GMC	K15	Cab & Chassis with 34 In. Frame, Except 10 In. Step Bumper
69593C	1966-1974	GMC	K15/K1500 Pickup	34 In. Frame, Except 10 In. Step Bumper
69593C	1979-1980	GMC	K1500	Cab & Chassis with 34 In. Frame, Except 10 In. Step Bumper
69593C	1979-1986	GMC	K1500	Standard Cab with 34 In. Frame, Except 10 In. Step Bumper
69593C	1988-1998	GMC	K1500	Standard Cab with 34 In. Frame, Except 10 In. Step Bumper
69593C	1988-1999	GMC	K1500	Extended Cab with 34 In. Frame, Except 10 In. Step Bumper
69593C	1975-1978	GMC	K25	Cab & Chassis with 34 In. Frame, Except 10 In. Step Bumper
69593C	1975-1978	GMC	K25	Standard Cab with 34 In. Frame, Except 10 In. Step Bumper
69593C	1967-1974	GMC	K25/K2500 Pickup	34 In. Frame, Except 10 In. Step Bumper
69593C	1979-1982	GMC	K2500	Cab & Chassis with 34 In. Frame, Except 10 In. Step Bumper
69593C	1979-1985	GMC	K2500	Extended Cab with 34 In. Frame, Except 10 In. Step Bumper
69593C	1979-1986	GMC	K2500	Standard Cab with 34 In. Frame, Except 10 In. Step Bumper
69593C	1985-1986	GMC	K2500	Cab & Chassis with 34 In. Frame, Except 10 In. Step Bumper
69593C	1988-2000	GMC	K2500	Extended Cab with 34 In. Frame, Except 10 In. Step Bumper
69593C	1988-2000	GMC	K2500	Standard Cab with 34 In. Frame, Except 10 In. Step Bumper
69593C	1989-2000	GMC	K2500	Cab & Chassis with 34 In. Frame, Except 10 In. Step Bumper
69593C	1999-2000	GMC	K2500	Crew Cab with 34 In. Frame, Except 10 In. Step Bumper
69593C	1977-1978	GMC	K35	Extended Cab with 34 In. Frame, Except 10 In. Step Bumper
69593C	1977-1978	GMC	K35	Standard Cab with 34 In. Frame, Except 10 In. Step Bumper
69593C	1977-1978	GMC	K35	Crew Cab with 34 In. Frame, Except 10 In. Step Bumper
69593C	1977-1978	GMC	K35	Cab & Chassis with 34 In. Frame, Except 10 In. Step Bumper
69593C	1968-1974	GMC	K35/K3500 Pickup	34 In. Frame, Except 10 In. Step Bumper
69593C	1979-1985	GMC	K3500	Extended Cab with 34 In. Frame, Except 10 In. Step Bumper
69593C	1979-1986	GMC	K3500	Cab & Chassis with 34 In. Frame, Except 10 In. Step Bumper
69593C	1979-1986	GMC	K3500	Crew Cab with 34 In. Frame, Except 10 In. Step Bumper
69593C	1979-1986	GMC	K3500	Standard Cab with 34 In. Frame, Except 10 In. Step Bumper
69593C	1988-2000	GMC	K3500	Extended Cab with 34 In. Frame, Except 10 In. Step Bumper
69593C	1988-2000	GMC	K3500	Cab & Chassis with 34 In. Frame, Except 10 In. Step Bumper
69593C	1988-2000	GMC	K3500	Standard Cab with 34 In. Frame, Except 10 In. Step Bumper

# HUSKY® CLASS III RECEIVER HITCH FIT LIST



Part #	Year	Make	Model	Style
69593C	1992-2000	GMC	K3500	Crew Cab with 34 In. Frame, Except 10 In. Step Bumper
69613C	1999-2003	GMC	Sierra 1500	SL
69593C	1999-2006	GMC	Sierra 1500	Extended Cab with 34 In. Frame, Except 10 In. Step Bumper
69593C	1999-2006	GMC	Sierra 1500	Standard Cab with 34 In. Frame, Except 10 In. Step Bumper
69613C	1999-2018	GMC	Sierra 1500	SLE
69613C	1999-2018	GMC	Sierra 1500	SLT
69613C	2001-2001	GMC	Sierra 1500	C3
69613C	2002-2002	GMC	Sierra 1500	HT
69613C	2002-2005	GMC	Sierra 1500	Base
69613C	2002-2013	GMC	Sierra 1500	WT
69613C	2002-2018	GMC	Sierra 1500	Denali
69593C	2004-2006	GMC	Sierra 1500	Crew Cab with 34 In. Frame, Except 10 In. Step Bumper
69613C	2005-2006	GMC	Sierra 1500	Hybrid
69613C	2006-2006	GMC	Sierra 1500	SL
69613C	2008-2013	GMC	Sierra 1500	SL
69613C	2009-2013	GMC	Sierra 1500	Hybrid
69613C	2010-2013	GMC	Sierra 1500	XFE
69613C	2014-2018	GMC	Sierra 1500	Base
69613C	2007-2007	GMC	Sierra 1500 Classic	ALL
69593C	2001-2003	GMC	Sierra 1500 HD	Crew Cab with 34 In. Frame, Except 10 In. Step Bumper
69613C	2001-2003	GMC	Sierra 1500 HD	ALL
69593C	2005-2006	GMC	Sierra 1500 HD	Crew Cab with 34 In. Frame, Except 10 In. Step Bumper
69613C	2005-2006	GMC	Sierra 1500 HD	ALL
69613C	2007-2007	GMC	Sierra 1500 HD Classic	ALL
69593C	1999-2004	GMC	Sierra 2500	Cab & Chassis with 34 In. Frame, Except 10 In. Step Bumper
69593C	1999-2004	GMC	Sierra 2500	Extended Cab with 34 In. Frame, Except 10 In. Step Bumper
69593C	1999-2004	GMC	Sierra 2500	Standard Cab with 34 In. Frame, Except 10 In. Step Bumper
69613C	1999-2004	GMC	Sierra 2500	ALL
69593C	2004-2004	GMC	Sierra 2500	Crew Cab with 34 In. Frame, Except 10 In. Step Bumper
69613C	2001-2002	GMC	Sierra 2500 HD	SL
69593C	2001-2006	GMC	Sierra 2500 HD	Standard Cab with 34 In. Frame, Except 10 In. Step Bumper
69593C	2001-2006	GMC	Sierra 2500 HD	Cab & Chassis with 34 In. Frame, Except 10 In. Step Bumper
69593C	2001-2006	GMC	Sierra 2500 HD	Crew Cab with 34 In. Frame, Except 10 In. Step Bumper
69593C	2001-2006	GMC	Sierra 2500 HD	Extended Cab with 34 In. Frame, Except 10 In. Step Bumper
69613C	2001-2018	GMC	Sierra 2500 HD	SLE
69613C	2001-2018	GMC	Sierra 2500 HD	SLT
69613C	2002-2005	GMC	Sierra 2500 HD	Base
69613C	2003-2014	GMC	Sierra 2500 HD	WT
69613C	2006-2006	GMC	Sierra 2500 HD	SL
69613C	2011-2018	GMC	Sierra 2500 HD	Denali
69613C	2015-2018	GMC	Sierra 2500 HD	Base
69613C	2007-2007	GMC	Sierra 2500 HD Classic	ALL
69593C	2001-2006	GMC	Sierra 3500	Cab & Chassis with 34 In. Frame, Except 10 In. Step Bumper
69593C	2001-2006	GMC	Sierra 3500	Extended Cab with 34 In. Frame, Except 10 In. Step Bumper
69593C	2001-2006	GMC	Sierra 3500	Standard Cab with 34 In. Frame, Except 10 In. Step Bumper
69593C	2001-2006	GMC	Sierra 3500	Crew Cab with 34 In. Frame, Except 10 In. Step Bumper
69613C	2001-2006	GMC	Sierra 3500	ALL
69613C	2007-2007	GMC	Sierra 3500 Classic	ALL
69613C	2007-2014	GMC	Sierra 3500 HD	WT
69613C	2007-2018	GMC	Sierra 3500 HD	SLE
69613C	2007-2018	GMC	Sierra 3500 HD	SLT
69613C	2011-2018	GMC	Sierra 3500 HD	Denali
69613C	2015-2018	GMC	Sierra 3500 HD	Base
69458C	2011-2011	Ram	1500	Big Horn, Without Factory Receiver
69613C	2011-2012	Ram	1500	ST
69458C	2011-2012	Ram	1500	ST, Without Factory Receiver
69613C	2011-2016	Ram	1500	Outdoorsman
69458C	2011-2016	Ram	1500	Outdoorsman, Without Factory Receiver
69613C	2011-2017	Ram	1500	Big Horn
69458C	2011-2017	Ram	1500	Big Horn, Without Factory Receiver
69613C	2011-2018	Ram	1500	Laramie
69613C	2011-2018	Ram	1500	SLT
69613C	2011-2018	Ram	1500	Tradesman
69613C	2011-2018	Ram	1500	Laramie Longhorn
69613C	2011-2018	Ram	1500	Sport
69458C	2011-2018	Ram	1500	Laramie Longhorn, Without Factory Receiver
69458C	2011-2018	Ram	1500	Sport, Without Factory Receiver

# HUSKY® CLASS III RECEIVER HITCH FIT LIST



Part #	Year	Make	Model	Style
69458C	2011-2018	Ram	1500	Laramie, Without Factory Receiver
69458C	2011-2018	Ram	1500	Tradesman, Without Factory Receiver
69458C	2011-2018	Ram	1500	SLT, Without Factory Receiver
69613C	2012-2012	Ram	1500	Tradesman HD
69458C	2012-2012	Ram	1500	Tradesman HD, Without Factory Receiver
69613C	2012-2017	Ram	1500	Express
69458C	2012-2017	Ram	1500	Express, Without Factory Receiver
69613C	2013-2013	Ram	1500	R/T
69458C	2013-2013	Ram	1500	R/T, Without Factory Receiver
69613C	2013-2017	Ram	1500	HFE
69458C	2013-2017	Ram	1500	HFE, Without Factory Receiver
69613C	2014-2015	Ram	1500	Laramie Limited
69458C	2014-2015	Ram	1500	Laramie Limited, Without Factory Receiver
69613C	2014-2017	Ram	1500	Lone Star
69458C	2014-2017	Ram	1500	Lone Star, Without Factory Receiver
69613C	2014-2018	Ram	1500	Special Service
69458C	2014-2018	Ram	1500	Special Service, Without Factory Receiver
69613C	2015-2018	Ram	1500	Limited
69613C	2015-2018	Ram	1500	Rebel
69458C	2015-2018	Ram	1500	Rebel, Without Factory Receiver
69458C	2015-2018	Ram	1500	Limited, Without Factory Receiver
69613C	2018-2018	Ram	1500	ST
69458C	2018-2018	Ram	1500	ST, Without Factory Receiver
69613C	2011-2013	Ram	2500	ST
69458C	2011-2013	Ram	2500	Laramie, Without Factory Receiver
69458C	2011-2013	Ram	2500	ST, Without Factory Receiver
69458C	2011-2013	Ram	2500	Laramie Longhorn, Without Factory Receiver
69458C	2011-2013	Ram	2500	SLT, Without Factory Receiver
69458C	2011-2013	Ram	2500	Power Wagon, Without Factory Receiver
69613C	2011-2018	Ram	2500	SLT
69613C	2011-2018	Ram	2500	Laramie Longhorn
69613C	2011-2018	Ram	2500	Power Wagon
69613C	2011-2018	Ram	2500	Laramie
69458C	2012-2013	Ram	2500	Outdoorsman, Without Factory Receiver
69613C	2012-2016	Ram	2500	Outdoorsman
69458C	2013-2013	Ram	2500	Lone Star, Without Factory Receiver
69458C	2013-2013	Ram	2500	Tradesman, Without Factory Receiver
69458C	2013-2013	Ram	2500	Big Horn, Without Factory Receiver
69613C	2013-2015	Ram	2500	Lone Star
69613C	2013-2017	Ram	2500	Big Horn
69613C	2013-2018	Ram	2500	Tradesman
69613C	2014-2015	Ram	2500	Laramie Limited
69613C	2016-2018	Ram	2500	Limited
69458C	2011-2013	Ram	3500	ST, Without Factory Receiver
69458C	2011-2013	Ram	3500	Laramie Longhorn, Without Factory Receiver
69458C	2011-2013	Ram	3500	SLT, Without Factory Receiver
69458C	2011-2013	Ram	3500	Laramie, Without Factory Receiver
69613C	2011-2017	Ram	3500	ALL
69458C	2013-2013	Ram	3500	Lone Star, Without Factory Receiver
69458C	2013-2013	Ram	3500	Big Horn, Without Factory Receiver
69458C	2013-2013	Ram	3500	Tradesman, Without Factory Receiver

# SUSPENSIONPRO

*ELECTRIC TONGUE JACKS*



[suspensionproproducts.com](http://suspensionproproducts.com)



# SUSPENSIONPRO

## ELECTRIC TONGUE JACKS

Full 18" stroke	●
UV resistant cover	●
Water resistant	●
Weather protected switches	●
3 multi-bulb worklights	●
Durable powder coat finish	●
Hardened steel gears	●
Stainless steel fasteners	●
3/4" high-strength drive screw	●
12V operation	●
Self-lubricating drive nut	●
Internal automatic thermal protection	●
Resettable circuit breaker	●
Soldered electrical connections	●

## SUSPENSIONPRO ELECTRIC TONGUE JACKS

Now there's a better way to tackle some of the toughest chores known to towing. Suspension Pro Electric Tongue Jacks make setting up a weight distribution system easier than ever, replacing tedious hand cranking with the push of a button. They deliver an industry-leading duty cycle for a lifetime of reliable performance, job-after-job, year-after-year. And they're fast, travel 6" up or 7.6" down under 80 seconds. Exceptional efficiency is also built-in, with a respectably low current draw even under full load. Three feature-rich models are offered, for total lifting capacities of up to 3,500 pounds. For the best in all-around performance, go with the pro. Suspension Pro Electric Tongue Jacks.

### All SuspensionPro jacks include:

- Exclusive "SmartStop" feature so there are no mechanical hard stops on end of the stroke.
- All SuspensionPro jack ratings are working load ratings, not just intermittent load.
- Resettable circuit breaker instead of glass fuses.



## SP2500

### ELECTRIC TONGUE JACK

- 2,500 lb. lift capacity
- 2 1/4" jack diameter
- Full 18" stroke
- Travel speed 72 seconds
- UV resistant cover
- Water resistant
- Weather protected switches
- 3 multi-bulb worklights
- Durable powder coat finish
- Hardened steel gears
- Stainless steel fasteners
- 3/4" high-strength drive screw
- 12V operation
- Self-lubricating drive nut
- Internal automatic thermal protection
- Resettable circuit breaker
- Soldered electrical connections
- 16.5 amp current draw at full load

15-1464 81199 2,500 lbs



## SP3000

### ELECTRIC TONGUE JACK

- 3,000 lb. lift capacity
- 2" jack diameter
- Full 18" stroke
- Travel speed 72 seconds
- UV resistant cover
- Water resistant
- Weather protected switches
- 3 multi-bulb worklights
- Durable powder coat finish
- Hardened steel gears
- Stainless steel fasteners
- 3/4" high-strength drive screw
- 12V operation
- Self-lubricating drive nut
- Internal automatic thermal protection
- Resettable circuit breaker
- Soldered electrical connections
- 20 amp current draw at full load

15-1466 81200 3,000 lbs.



## SP3500

### ELECTRIC TONGUE JACK

- 3,500 lb. lift capacity
- 2 1/4" jack diameter
- Full 18" stroke
- Travel speed 80 seconds
- UV resistant cover
- Water resistant
- Weather protected switches
- 3 multi-bulb worklights
- Durable powder coat finish
- Hardened steel gears
- Stainless steel fasteners
- 3/4" high-strength drive screw
- 12V operation
- Self-lubricating drive nut
- Internal automatic thermal protection
- Resettable circuit breaker
- Soldered electrical connections
- 23 amp current draw at full load

15-1467 81201 3,500 lbs.

# ***POWERHOUSE***®



# **POWERHOUSE<sup>®</sup>**

## **QUICK INDEX:**

PH2200i .....	77
PH2400Pi .....	77
PH3300i .....	78
Battery Boxes .....	78
Battery Straps .....	78
Generator Display.....	79
Parallel Kit .....	77
Replacement Parts .....	80

[\*\*powerhouse-products.com\*\*](http://powerhouse-products.com)

# POWERHOUSE® PH2400Pi

## Parallel-Ready Inverter Generator

- Rated 2,300 watts, maximum 2,400 watts. 120 volts
- Low noise, great for campground use
- Parallel ready
- Smart USB ports charge and power your USB devices, such as phones and tablets
- Inverter equipped for safe use with electronic equipment
- Variable speed to maximize fuel economy
- 12 volt external charging system
- 4.35 hp (125cc) engine
- Electric and recoil start
- Inverter overload reset button allows you to reset the inverter when it has been overloaded without shutting down the engine
- One 20 amp duplex receptacle
- Convenient fuel primer bulb
- External circuit breaker on panel; internal breaker on inverter
- Factory installed wheel kit for easy transport
- EPA, ISO, CARB and CETL compliant
- One year consumer/six months commercial warranty

**72-0678 67215 PH2400Pi Inverter Generator**

Accessories Included: Oil Jug, Oil Drain Extension, Spare Spark Plug, Spark Plug Wrench, Screwdriver, 12V Battery Charge Cable, Keys, Spare 20A ATC Style Fuse, Owner's Manual, and Quick Start Guide



### PARALLEL-READY BOOST YOUR POWER!

Connect two Powerhouse parallel-ready PH2400Pi generators to provide extra power with the optional parallel kit. Boost power output to 4,400 watts. Generators and parallel kit sold separately. Approved for both the USA and Canada.

**72-0927 67164 Parallel Kit for PH2400Pi**



*Handle extends out for easy one-person maneuvering*

## PH2200i Inverter Generator

- Recoil start.
- Low noise - great for campground use.
- Inverter equipped - for safe use with electronic equipment.
- 12 volt external charging system.
- Smart USB ports charge and power your USB devices.
- Variable plus constant speeds - for economy or 100% full power. EPA, CARB, and CSA compliant.



**71-5999 68675 PH2200i Inverter Generator**

FEATURE	PH2200i	PH2400Pi	PH3300i
Running Watts	2100W	2300W	3200W
Surge Watts	2200W	2400W	3300W
Engine Displacement	125CC	125CC	270 CC
Engine Type	Single Cylinder, 4-stroke OHC, Air-Cooled, Gasoline	Single Cylinder, 4-stroke OHC, Air-Cooled, Gasoline	Single Cylinder, 4-stroke OHV, Air-Cooled, Gasoline
Starting Method	Recoil	Electric & Recoil	Electric & Recoil
Battery	No	Yes	Yes
Fuel tank Size	1.4 Gallon	1.3 Gallon	4.34 Gallon
Run Time @ 50%	5.7 hours	4.8 hours	10.9 hours
Outlets	1) 120 V, 20 A 5-20R Duplex	1) 120 V, 20 A 5-20R Duplex	1) 120 V, 20 A 5-20R Duplex and 1) 120 V, 30 A L5-30R (Twist Lock)
Parallel Ready	No	Yes	No
Safe for Electronics	Yes	Yes	Yes
Handle	Yes	Yes	Yes
Wheels	No	2	4
Certification	CSA, EPA, CARB, ISO	CETL, EPA, CARB, ISO	CSA, EPA, CARB, ISO
National Park Service	Yes	Yes	Yes
Low Oil Shutdown	Yes	Yes	Yes
Fuel Economy Switch	Yes	Automatic Function	Automatic Function
Pushbutton Inverter Reset	No	Yes	Yes
Dimensions	19.1"H x 11.3"W x 21.3"D	19.5"H x 12"W x 22"D	21.25"H x 18.75"W x 23.75" D
Weight (Net)	63.5 lbs.	73.3 lbs.	134.1 lbs.
Warranty	Limited 6 Mnth Commercial / Limited 1 Yr Residential	Limited 6 Mnth Commercial / Limited 1 Yr Residential	6 Month (or 250 hrs) Commercial Warranty



# POWERHOUSE<sup>®</sup> PH3300i

## Inverter Generator

- Rated 3200 Watts, Maximum 3300 Watts. 120 Volts
- Electric and recoil start
- Variable speed to maximize fuel economy
- Smart USB ports charge and power your USB devices, such as phones and tablets
- Will operate 13,500 BTU RV air conditioners
- Low noise; great for campground use
- Powerful 6.4 hp (270cc) engine
- Fuel gauge. Hour meter
- One 5-20R 20 amp duplex receptacle and one L5-30R 30 amp twist lock receptacle
- Inverter equipped for safe use with electronic equipment.
- Inverter overload reset button allows you to reset the inverter when it has been overloaded without shutting down the engine
- External circuit breaker on panel; internal breaker on inverter
- Wheels installed (2 straight with brake and 2 swivel wheels for ease of transportation.) Padded handle
- 12 volt external charging system
- EPA, ISO, CARB and CSA compliant
- 1 year/500 hrs consumer/6 mos/250 hrs. commercial warranty

72-0679 67226 PH3300i Inverter Generator

Accessories Included: 30A Generator Adapter, Oil Jug, Oil Drain Extension, Spare Spark Plug, Spark Plug Wrench, Screwdriver, 12V Battery Charge Cable, Keys, Spare 20A ATC Style Fuse, Owner's Manual, and Quick Start Guide



30A Generator Adapter Included

Handle folds out for easy one-person maneuvering

# POWERHOUSE<sup>®</sup>

## STRAP-STYLE BATTERY BOXES

Heavy-duty "strap-style" boxes are vented and meet Coast Guard Spec 183.420. Made of lightweight, high-strength polypropylene to withstand impact battery acid. Includes box, lid, strap and mounting brackets with stainless screws. Black



19-3017	13034	Group 24 Battery Box
19-3018	13035	Group 27 Battery Box
19-3019	13228	Group GC-2 Battery Box

## BATTERY HOLD-DOWN STRAPS

Straps include a woven polypropylene strap with firm grip buckle plus a hardware kit of two polypropylene tie down brackets and stainless steel screws.



19-3185	12024	42" Strap
19-3183	11796	54" Strap

# POWERHOUSE®

## Generator Display

- 1.5" Sq. Tubing construction
- Full walk-around view
- Header graphics on both sides
- Side-mounted literature rack

81-0946 90339 Generator Display

# NEW!

Top shelf holds PH2400Pi or PH2200i,  
Bottom shelf holds PH3300i or PH2400Pi



## Generator Literature

Generator Literature 20pk  
POWS1 PH2400Pi Flyer  
POWS3 PH3300i Flyer  
POWS5 PH2200i Flyer

Powering life in  
the great outdoors.™

**POWERHOUSE®**  
**INVERTER GENERATORS**

# POWERHOUSE®

## Maintenance Accessories

### PH2200i

Fuel Cap	71-8547	69784
Fuel Strainer	48-0264	69411
Fuel Filter	71-5302	67184
Air Filter	48-0111	69800
Spark Plug A7RTC	71-8549	69786
Battery 12V	n/a	n/a
Battery Li-Ion	n/a	n/a



### PH2400Pi

Fuel Cap	48-0310	69429
Fuel Strainer	48-0264	69411
Fuel Filter	71-5302	67184
Air Filter	48-0111	69800
Spark Plug A7RTC	71-8549	69786
Battery 12V		6QF5
Battery Li-Ion	71-5311	67430



### PH3300i

Fuel Cap	48-0522	62650
Fuel Strainer	48-0397	60556
Fuel Filter	71-5302	67184
Air Filter	48-0117	69461
Spark Plug F7RTC	48-0119	69537
Battery 12V	<b>03-1885</b>	<b>PTX9BSFS</b>
Battery Li-Ion	71-5311	67430





# Arcon<sup>®</sup>



LONG LASTING



DURABLE



LOW HEAT



MORE LIGHT



ECOLOGICAL



WARRANTY

*LED lighting for RV's makes more sense than ever... and for great reason. LED's consume less energy, generate far less heat and provide cleaner, brighter light.*

*Arcon offers an extensive lineup to meet the needs of your customers who want to make the switch.*





**QUICK INDEX:**

**BULBS & LIGHT FIXTURES**

Bulbs .....	83 - 84
Fixture Lighting .....	85 - 86
Fluorescent Lights.....	86
Plan-o-grams .....	87

**ELECTRICAL:**

Portable Heaters .....	88
Power Cords.....	89
Power Cord Adapters .....	90 -92

*arconelectrical.com*

*All of our LED bulbs are dimmable!*

### Bulb #53

18-1682	16751	2/cd
18-1774	16750	10/box



### Bulb #57

18-1684	16753	2/cd
18-1683	16752	10/box



### Bulb #67

18-1686	16755	2/cd
18-1685	16754	10/box



### Bulb #93

18-1687	16760	2/cd
18-1619	50429	Soft Wt. 24 LED, 1/cd
18-1649	50430	Soft Wt. 24 LED, 6/cd



### Bulb #71

18-1676	11971	2/cd
---------	-------	------



### Bulb #906/912

18-1692	16765	906, 2/cd
18-1725	16801	912, 2/cd
18-1678	15754	906, Bx/10
18-1679	15755	912, 10/box
18-1669	50610	912, Soft Wt. LED



### Bulb #193 / 194

18-1724	16800	2/cd
18-1689	16762	10/box
18-1667	50557	Bright Wt. LED 1/cd
18-1668	50558	Bright Wt. LED 6/cd
18-1677	15753	2/cd



### Bulb #94

18-1688	16761	2/cd
---------	-------	------



### Bulbs #211 / 211-2 / 212-2

18-1690	16763	2/cd
18-1589	50664	3 LED, 1/cd 12V
18-1720	16793	2/cd
18-1590	50702	Soft Wt. LED, 1/cd
18-1691	16764	2/cd
18-1588	50687	Soft Wt. LED, 1/cd 12V



### Bulb #1003

18-1694	16768	2/cd
18-1693	16766	10/box
18-1582	50435	Bright Wt. LED
18-1583	50436	Bright Wt. LED, 6/pk
18-1584	50455	Soft Wt. LED
18-1585	50458	Soft Wt. LED, 6/pk



### Bulb #921

18-1726	16802	2/cd
18-1670	50567	Bright Wt. LED
18-1671	51274	Bright Wt. LED, 6/cd
18-1672	50564,	Soft Wt. LED
18-1673	51273	Soft Wt. LED, 6/cd
18-1721	16794	#921 Box/10



### Bulb #922

18-1722	16795	2/cd
18-1674	50568	Soft Wt. LED, 1/cd



### Emergency Bulb Kits

**18-1775** 16796 Emergency Bulb Kit includes: 13 bulbs: 3 - #57 clearance bulbs, 1 - #67 license/courtesy bulb, 2 - #194 clearance bulbs, 1 - #906 interior/porch bulb, 2 - #1003 interior/porch bulbs, 2 - #1141 taillight/interior bulbs, 2 - #1157 taillight/interior bulbs.  
**19-3923** 51270 Late Model Kit Emergency Bulb includes: 14 bulbs: 1 - #194, 1 - #912, 2 - #921, 2 - #1003, 1 - #1076, 2 - #1141, 1 - #1157, 2 - #3157, 2 - #JC10W.

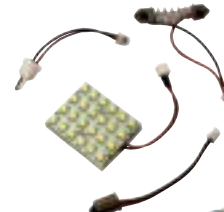
### Bulb #1004

18-1695	16769	2/cd
18-1586	50474	Soft Wt. LED, 1/cd
18-1587	50475	Soft Wt. LED, 6/cd



### Bulb #1016

18-1696	16770	2/cd
18-1650	50725	Bright Wt. LED
18-1651	50773	Soft Wt. LED



**Dome Light 24 LED Kit BW 12V**  
**18-1665** 50363

**Dome Light 24 LED Kit SW 12V**  
**18-1666** 50366

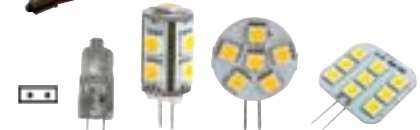
### 12V Fluorescent Tubes

18-0633	16749	8W, 12", 2/pk
18-0630	16748	15W, 18", 2/pk
18-1740	16815	13W, 21", 2/pk



### Bulb #J20

18-1727	50784	Bulb JC20 Halogen 12V 2pk
---------	-------	---------------------------



16747 50529 50552 51272

### Bulb #JC10W

18-1681	16747	2/cd
18-1658	50529	9 LED, Bright Wt.
18-1659	51465	9 LED, Bright Wt., 6/pk
18-1660	50527	9 LED, Soft Wt.
18-1661	51466	9 LED, Soft Wt., 6/pk
18-1771	50552	6 LED, Bright Wt.
18-1657	50533	6 LED, Soft Wt.
18-1656	51272	Led Disc Light Triple H #G4s

### #MR11

18-1772	50559	#MR16 Bright Wt. LED
18-1664	50560	#MR16 Soft Wt. LED
18-1662	50562	#MR11 Bright Wt. LED
18-1663	50561	#MR11 Soft Wt. LED



### LED Replacement Tubes

18-1773	50708	12", 30 LED, 4.1 W
18-1675	50713	18", 54 LED, 7.1W



# REPLACEMENT BULBS



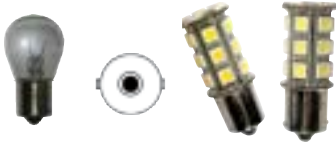
**Bulb #1073**  
**18-1697** 16772 2/cd  
**18-1593** 50398 Bright Wt. LED  
**18-1594** 50407 Bright Wt. LED, 6/cd



**Bulb #1076**  
**18-1699** 16774 2/cd  
**18-1698** 16773 10/box  
**18-1591** 50492 Soft Wt. LED  
**18-1592** 50493 Soft Wt. LED, 6/cd



**Bulb #1156**  
**18-1714** 16783 2/cd  
**18-1713** 16782 10/box  
**18-1639** 50387 Bright Wt LED  
**18-1640** 50392 Bright Wt LED, 6/pk



**Bulb #1141**  
**18-1710** 16777 2/cd  
**18-1709** 16776 10/box  
**18-1599** 50368 24 LED, Bright Wt.  
**18-1601** 50380 24 LED Bright Wt., 6/pk  
**18-1617** 50367 24 LED, Soft Wt.  
**18-1618** 50377 24 LED, Soft Wt., 6/pk  
**18-1595** 50373 18 LED, Bright Wt.  
**18-1596** 50386 18 LED, Bright Wt., 6/pk  
**18-1597** 50369 18 LED, Soft Wt.  
**18-1598** 50385 18 LED, Soft Wt., 6/pk



**Bulb #1157**  
**18-1716** 16785 2/cd  
**18-1715** 16784 10/box  
**18-1652** 50509 Bright Wt. LED  
**18-1653** 50510 Bright Wt. LED, 6/pk



**Bulb #1383**  
**18-1717** 16788 2/cd  
**18-1680** 15758 10/box  
**18-1654** 50524 Soft Wt. LED, 1/cd



**Bulb #1141-IF**  
**18-1711** 16778 Inside Frosted, 2/cd



**Bulb #3157**  
**18-1723** 16798 2/cd



**Bulb #1895**  
**18-1719** 16792 2/cd  
**18-1718** 16791 10/box



**Bulb #1139-IF**  
**18-1708** 16775 Inside Frosted, 2/cd



**Bulb #1142**  
**18-1712** 16779 2/cd



**Bulb #2099**  
**18-1655** 50829 Soft White, LED, 1/cd

## LED BULBS

**NEW!**

A comprehensive offering of bulbs and fixtures specifically designed for the active RV customer. Arcon LED bulbs easily replace the most popular incandescent and fluorescent bulbs in today's RV aftermarket, with up to 75% greater efficiency to the customer.

### Bright White LED Bulbs



**18-2070**  
52275

Bulb #1156



**18-2068**  
52273

Bulb #921-5HP



**18-2066**  
52271

Bulb #G4-3HP



**18-2064**  
52269

Bulb #G4-9P4



**18-2025**  
52231

Bulb #1141

*Rotating bulbs!*

### Soft White LED Bulbs



**18-2069**  
52274

Bulb #1156



**18-2067**  
52272

Bulb #921-5HP



**18-2065**  
52270

Bulb #G4-3HP



**18-2063**  
52268

Bulb #G4-9P4



**18-2024**  
52230

Bulb #1141

## 12V LED UNIVERSAL PORCH/UTILITY LIGHTS



LED series for energy efficiency, long bulb life, better light quality, and low heat output. Surface mounted lights are 5-3/4" x 3-1/2"; replacement lenses are 5-1/4" x 2-1/2". Carded. Uses replacement bulb #1003. White base.

- 18-0860 20673 Bright White,  
With Switch, Clear Lens
- 18-0845 20672 Bright White,  
Without Switch, Clear Lens

## 12V UNIVERSAL PORCH UTILITY LIGHTS



12-Volt surface mounted with or without switch. Sleek design with choice of clear or amber snap in lens, with or without rocker switch. Lights are 5-3/4" x 3-1/2"; replacement lenses are 5-1/4" x 2-1/2". Uses replacement bulb #1003.

- 18-0780 18111 White, w/Switch,  
Amber Lens
- 18-0763 18104 White, w/Switch,  
Clear Lens
- 18-0779 18109 White, Amber Lens
- 18-0759 18102 White, Clear Lens
- 18-0839 51308 Black, w/Switch,  
Clear Lens
- 18-0838 51309 Black, Clear Lens
- 18-0778 18107 Amber Lens Only
- 18-0777 18106 Clear Lens Only

## 12V UNIVERSAL PORCH/UTILITY LIGHTS



Provides nighttime area security. Surface mount. Sleek, compact design. Oval shape makes a smaller footprint. Simple snap-in lens. Uses #1141 Incandescent or LED replacement bulb. White base.

- 18-0796 51251 Clear Lens,  
Without Switch, Carded
- 18-0836 51252 Clear Lens,  
With Switch, Carded
- 18-0837 51299 Clear Lens only

## 12V LED SCARE/PORCH LIGHTS



Give yourself double the light output with this made-to-last stainless steel housed yard light with heavy-duty clear acrylic lens. LED series for energy efficiency, long bulb life, better light quality and low heat output. A great upgrade for an existing light or for additional lighting. Surface mount (screws not included), Bright White, 18 LED, 2.7W, 215 lumens. 8-1/2" dia. x 1-1/2" deep.

- 18-0844 20671 LED Scare Light

## 12V INCANDESCENT SCARE PORCH LIGHTS

- 18-1748 16193 Scare Light
- 18-0416 10705 Scare Light w/Clear Lens, Bulk

## DIMMABLE LED EURO-STYLE LIGHTS



Sleek, euro-style lights feature an easy-to-use on/dim/off switch. Available in a single or double design with squeeze-remove white or optic lens. Single, euro-style light is 8"L x 4.75"W and requires four mounting screws (not included). Double, euro-style light is 11"L x 4.75"W and requires six mounting screws (not included). Uses replacement bulb #1141.

### Single Light:

- 18-0930 51265 White Lens, Bright White
- 18-0931 51266 Optic Lens, Bright White

### Double Light:

- 18-0935 51267 White Lens, Bright White
- 18-0936 51268 Optic Lens, Bright White



Sleek, euro-style lights feature an easy-to-use on/off switch. Available in a single or double design with squeeze-remove white or optic lenses. White plastic frame. Single, euro-style light is 8"L x 4.75"W and requires four mounting screws (not included). Double, euro-style light is 11"L x 4.75"W and requires six mounting screws (not included). Uses replacement bulb #1141 and same replacement lenses as dimmable euro-style lights.

### Single Light:

- 18-0842 20669 Optic Lens, Bright White
- 18-0900 20725 White Lens, Bright White
- 18-0861 20711 Optic, Soft White
- 18-0863 20713 White Lens, Soft White

### Double Light:

- 18-0843 20670 Optic Lens, Bright White
- 18-0928 20726 White Lens, Bright White
- 18-0862 20712 Optic Lens, Soft White, Cd
- 18-0864 20714 White Lens, Soft White, Cd

## 12V EURO-STYLE LIGHTS



Sleek, euro-style lights feature an easy-to-use on/off switch. Available in a single or double design with squeeze-remove white or optic lens in either colonial white or White base. Uses replacement bulb #1141. Single, euro-style light is 8"L x 4.75"W and requires four mounting screws (not included).

### Single Light:

- 18-0782 18122 Optic Lens, White
- 18-0781 18121 White Lens, White
- 18-0637 18014 Optic Lens, Colonial White
- 18-0634 17925 White Lens, Colonial White

### Double Light:

- 18-0784 18124 Optic Lens, White
- 18-0783 18123 White Lens, White
- 18-0641 18015 Optic Lens, Colonial White
- 18-0635 17926 White Lens, Colonial White

### Replacement Lens:

- 18-0748 18017 Optic Replacement Lens
- 18-0675 18016 White Replacement Lens

## LED EURO-STYLE LIGHTS



# FIXTURE & FLUORESCENT LIGHTING **Arcon**

## LED ECONOMY LIGHTS



Light up an interior with these easy-to-use, functional lights. LED series for energy efficiency, long bulb life, better light quality and low heat output. Features include a 3-position switch, white plastic frame and color coded wires. Wood Screws not included. Dimensions: Single: 6-1/4"L x 5-1/2"W x 1-5/8"H; Double: 11-1/2"L x 5-1/2"W x 1-5/8"H. Repl. Bulb: Single#1016; Double#1141

### Single Light:

- 18-0840 20667 Single, Bright White, Cd
- 18-1788 20715 Single, Soft White, Cd

### Double Light:

- 18-0841 20668 Double, Bright White, Cd
- 18-0888 20716 Double, Soft White, Cd

### Replacement Lens:

- 18-0506 11826 Replacement Optic Lens, Carded
- 18-0791 18530 Replacement, White Lens, Carded
- 18-0626 14813 Replacement White Lens, Bulk

## ECONOMY LIGHTS



12V, single or double economy light, available with white or optic lenses. Light up an interior with these easy-to-use, functional lights. Features include a 3-position slide switch, easy-to-clean high temperature smooth snap-out plastic lens, white plastic frame and color coded wires. The double light uses a #1141 high-intensity bulb and the single light uses a #1016. Wood screws not included.

### Single Light:

- 18-0501 11824 Single Light, Optic Lens, Carded
- 18-0578 14655 Single Light, White Lens, Carded

### Double Light:

- 18-0505 11825 Double Light, Optic Lens, Carded
- 18-0596 14656 Double Light, White Lens, Carded

### Replacement Lens:

- 18-0506 11826 Optic Replacement Lens, Carded
- 18-0791 18530 White Replacement Lens, Carded
- 18-0626 14813 White Replacement Lens, Bulk

## 12V AIRCRAFT STYLE LIGHTS



17796



17797

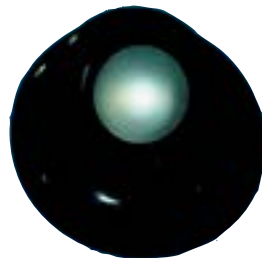


18086

Positionable light features an easy-to-use on/off switch. Single light requires two mounting screws (not included); double light requires four mounting screws (not included). Lens diameter is 1/5". Uses replacement bulb #1003.

- 18-0415 17798 Oval Double Light, Alum
- 18-0326 18092 Oval Double Light, Black
- 18-0365 17796 Rect. Double Light, Alum
- 18-0341 18088 Rect. Double Light, Black
- 18-1787 18089 Rect. Double Light, Brass
- 18-1744 17797 Round Single Light, Aluminum
- 18-0317 18090 Round Single Light, Black
- 18-0319 17795 Square Single Light, Aluminum
- 18-0367 18086 Square Single Light, Black
- 18-0355 18087 Square Single Light, Brass

## 12-VOLT HALOGEN SWIVEL RECESSED READING LIGHT



With these designer style swivel lights you can direct the light over your head a full 360°. A stationary light that puts the light where you want it! Includes switch. Protrudes only .075" from Ceiling. Dia is : 3-5/16" (requires a 2-9/16" cutout).

- 18-0298 10655 Black, carded

## ARCON 12-VOLT FLUORESCENT LIGHTS

Available in 16-watt or 30-watt with a sleek Euro-style design. Surface mount for easy installation; feature an on/off rocker switch. Lenses are easily removed for cleaning.

### 12V FLUORESCENT LIGHTS:



16-Watt is 16 7/8"L x 4 3/8"W; 1 3/8" Tall, uses two 8-Watt, 12" F8T5/CW fluorescent tubes.

Draws only 1.8 total amps  
18-0507 13812 1/cd



30-Watt is 24"L x 6 1/2"W; 1 3/4" Tall, uses two 15-Watt, 18" F15T8/CW fluorescent tubes.

Draws only 3.7 total amps  
18-1747 13813 1/cd

### REPLACEMENT BULBS

- 18-0633 16749 8W, 12" Tubes F8T5/CW 2/pk
- 18-0630 16748 15W, 18" Tubes F15T8/CW 2/pk
- 18-1740 16815 13W, 21" Tubes, F13T5/CW, 2/pk

### SOFT WHITE LED REPLACEMENTS FOR FLUORESCENT TUBES:

- 18-1773 50708 12" Replacement for F8T5/CW; 30 LED 4.1W, Pk/1 #T5-12-SW-1 10
- 18-1675 50713 18" Replacement for F15T8/CW; 54 LED, 7.5W, Pk/1 #T8-18-SW-1 10

## LED Bulb & Fixture Plan-O-Grams

Arcon offers two Plan-O-Gram assortments, each of which is designed to maximize your profitability in a minimum amount of space. The large assortment includes 27 bulb skus and 15 fixtures, and is merchandised in a 48" section. We include a complete display kit to make this LED assortment stand out in your store. The smaller assortment is ideal for end-caps in your store and includes 41 bulb skus and 2 fixtures.

The Arcon LED Plan-O-Gram is set up to provide a 36" or 48" area of display for RV LED product.

It is offered in English or French versions and places 40+ different SKU's in an area for sale in a store.



### COMPLETE KITS

71-7900	3FTPOGEN	36" Plan-o-gram - English
71-7901	3FTPOGFR	36" Plan-o-gram - French
71-7902	4FTPOGEN	48" Plan-o-gram - English
71-7903	4FTPOGFR	48" Plan-o-gram - French

### BULB & FIXTURE KIT ONLY

81-0826	90066KIT	36" LED Plan-o-gram
81-0827	90067KIT	48" LED Plan-o-gram

### MARKETING KIT ONLY

71-3530	90062	36" LED Marketing Kit, English
71-3531	90063	36" LED Marketing Kit, French
71-3532	90064	48" LED Marketing Kit, English
71-3533	90065	48" LED Marketing Kit, French

#### LED Marketing kit Includes:

- Poster
- Perforated backer
- Arcon Reference Guide
- Re-Order Part number Tags
- Fasteners (for pegboard)

### HEADER ONLY

71-3535	90119	36" x 8" Arcon Header, English
71-3536	90120	36" x 8" Arcon Header, French
71-3537	90121	48" x 8" Arcon Header, English
71-3538	90122	48" x 8" Arcon Header, French



### Arcon Lighting Cross Reference Guide

Find the Arcon LED bulb number on the chart to review specifications and features, and to compare power usage.

**Plan-O-Gram order form**  
Simple order form makes ordering and restocking your display quick and easy.



## CERAMIC HEATER

### COMPACT 1500W / 750W CERAMIC HEATER

- Variable thermostat
- Switch settings: Off, Fan Only, Low Heat and High Heat
- Size: 7.5"H x 7"W x 7"D
- Rating: 1500W / 750W
- Thermal overload protection
- Tip-over switch works in all directions
- Lightweight
- Cord length: 75"(190.5cm)
- Concealed handle
- CETL approved
- 120VAC operating voltage

08-0019 64409 Ceramic Heater



## COIL HEATER

### COMPACT 1500W / 750W COIL HEATER

- Variable thermostat
- Switch settings: Off, Fan Only, Low Heat and High Heat
- Rating: 1500W / 750W
- Tip-over switch works in all directions
- Size: 10.375"H x 9"W x 5.375"D
- Lightweight
- Cord length: 74.5" (189.25cm)
- CETL approved
- 120VAC operating voltage

08-0018 64408 Coil Heater



F M

## Innovative Design!

11533

11534

## Premium Series



11535

### PREMIUM SERIES 110V EXTENSION CORDS

Arcon 110V Premium Extension Cords are yellow making them more visible, and feature a uniquely designed handle that makes it easy to extract the plug from the outlet. The handle folds flat against the plug for storage and allows the door of a power outlet box to be closed when the cord is plugged into the outlet. The molded plugs are made of durable PVC with solid brass contacts.

#### 30 AMP

19-3314 11533 30A, 25 Ft. w/ Handle CSA  
19-3316 11534 30A, 50 Ft. w/ Handle CSA

#### 50 AMP

19-3317 11535 50A, 30 Ft. w/ Handle

14248   
14249

### 110V Extension Cords

110V extension cords feature a molded male plug on one end and a molded female plug on the other.

#### 30 AMP

19-3311 14248 30A Female-30A Male, 25'  
19-3312 14249 30A Female-30A Male, 50'

#### 50 AMP

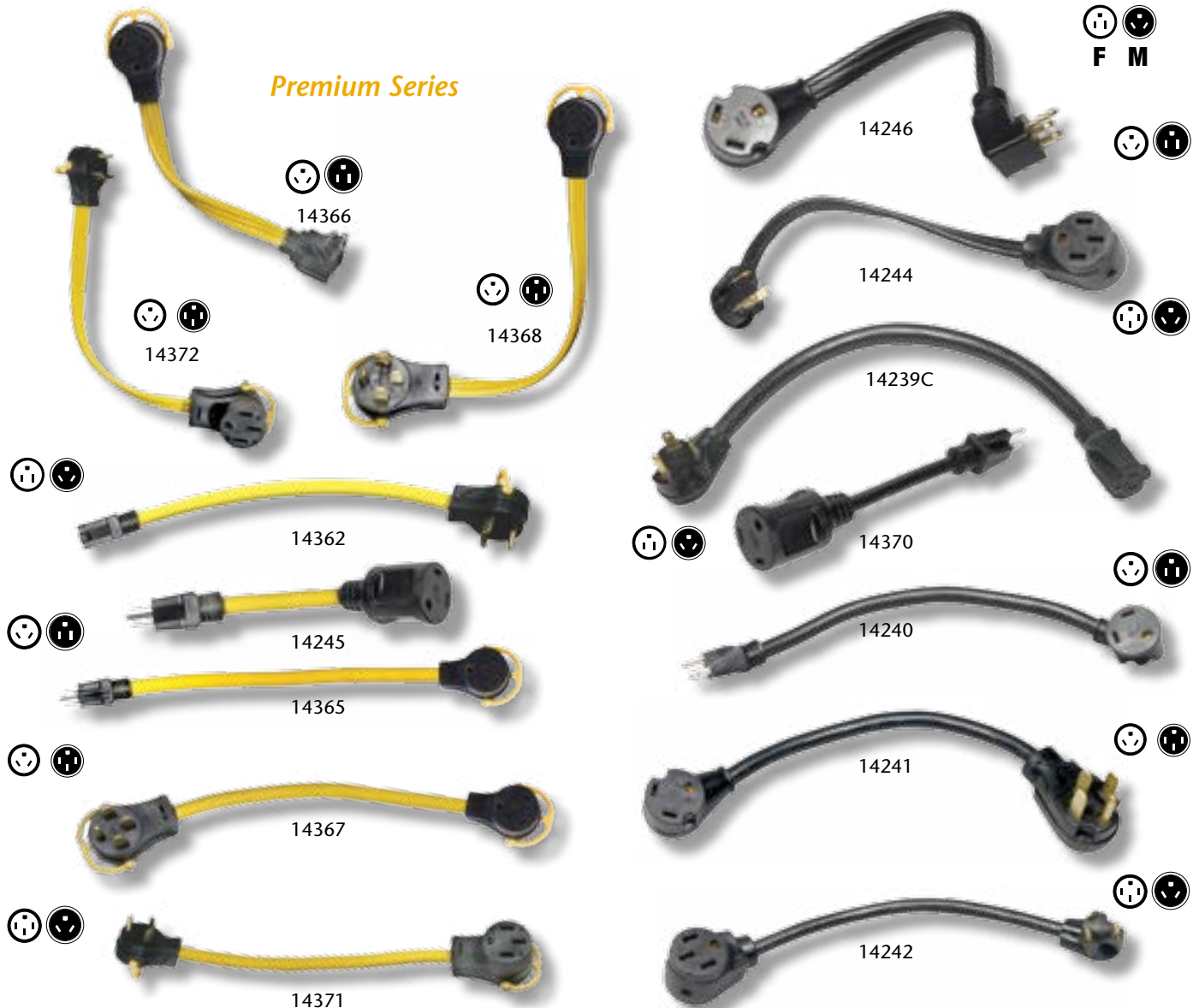
19-0835 14251 50A Female-50A Male, 30'

14251





# POWER CORD ADAPTERS



## 110-VOLT PIGTAIL ADAPTERS

Arcon 110V Pigtail Adapters adapt all brands of plugs. Made of durable PVC with solid brass contacts. The premium Pigtail Adapters feature a yellow cord that is more visible and a unique handle. The handle makes plug extraction effortless and stores flat against the plug. The economy models come with a black cord, do not have a handle and are only available in bulk. The 110V flat wire pigtail economy adapters have easy grip on both ends and are manufactured of flexible flat bonded 10/3 gauge wire.

### Premium Series 110V Flat Wire Pigtail Adapter

Handle makes plug extraction effortless, stores flat against the plug. Flexible flat bonded 10/3 ga. wire. Packaged. Yellow

19-3324	14368	30A Female-50A Male, 18"
19-3321	14372	50A Female-30A Male, 18" CSA
19-3313	14366	30A Female-15A Male, 12"

### Premium Series 110V Temporary Pigtail Adapter

Adapts all brands of RV plugs. Made of durable PVC. Solid brass contacts. Handle makes plug extraction effortless and stores flat against the plug. Not UL listed. Packaged. Yellow.

19-3323	14362	15A Female-30A Male, 18"
19-4543	14362C	15A Female-30A Male, 18" CSA
19-3720	14245	30A Female-15A Male, 9"
19-3328	14365	30A Female-15A Male, 18"
19-3326	14367	30A Female-50A Male, 18"
19-3322	14371	50A Female-30A Male, 18"
19-4544	14365C	30A Female-15A Male, 18" CSA
19-4545	14367C	30A Female-50A Male, 18" CSA
19-4546	14371C	50A Female-30A Male, 18" CSA

### 110V Economy Series Flat Wire Pigtail Adapter

Easy grip on both ends. Flexible flat bonded 10/3 gauge wire. Bulk. Black.

19-3333	14243	30A Female-50A Male, 18"
19-3308	14244	50A Female-30A Male, 18"
19-3719	14246	30A Female-15A Male, 12"

### 110V Economy Series Temporary Pigtail Adapter

Adapts all brands of RV plugs. Made of durable PVC. Solid brass contacts. Bulk. Not UL listed. Black.

19-3329	14370	30A Female-15A Male, 9"
19-3330	14240	30A Female-15A Male, 18"
19-4499	14240C	30A Female-15A Male, 18" CSA
19-3721	14241	30A Female-50A Male, 18"
19-4539	14241C	30A Female-50A Male, 18" CSA
19-3309	14242	50A Female-30A Male, 18"
19-4542	14242C	50A Female-30A Male, 18" CSA
19-4498	14239C	15A Female-30A Male, 18" CSA

\*CSA is a Canadian certification. Products marked with it are available for sale in Canada

# POWER CORD ADAPTERS



## Generator Y-Adapter

Adapter L14-30P adapts one locking 120V 30A plug to two lighted 5-20 receptacles. Generator Adapter L14-30P/2 x 5-20R. Use with PH6500Ri and up.

19-3355 17362 Y-Adapter



## Generator Y-Adapter

Adapter L5-30P adapts one locking 120V 30A plug to two lighted 5-20 receptacles. Generator Adapter L5-30P/2 x 5-20R.

19-3357 17361 Y-Adapter



## Generator Power Block

L5-15 Plug 5-15 Plug 5-15 Receptacles. Adapts one 5-15 plug to three lighted 5-15 receptacles. Lighted ends confirm power. Generator Cord Tri-Source Adapter.

19-3327 17360 Power Block



## Multi-Max Adapter

Two 17" 30A cords are attached to one 6" 50A cord. Use two 120V/30A circuits and one 30A-20A adapter to provide 240V/ 50 amps of service. Use a 15A-30A adapter and one 30A cord of the Multi-Max to hook a 50A RV service cord to a 120V outlet at home.

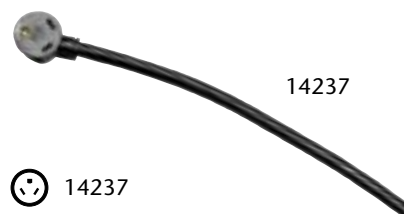
19-3318 17341 Arcon Multi-Max Adapter



## Generator Adapter

Lets you use the 30 amp, 120 volt L5-30 output on your generator. Adapter will supply power to a 30 amp RV female pigtail from a 30 amp twist lock generator receptacle. Connect your 30 amp RV extension power cord to this adapter, which connects to your generator.

19-3356 14977 L5-30 x 30A RV 12" Pigtail



14237

14369

## 110V Stripped Temporary 18" Pigtails

Adapts all brands of RV plugs. Made of durable PVC. Solid brass contacts. Not UL listed.

19-3304 14237 30A Female-Stripped 18" Pigtail  
19-3319 14369 30A Male-Stripped 18" Pigtail



14250

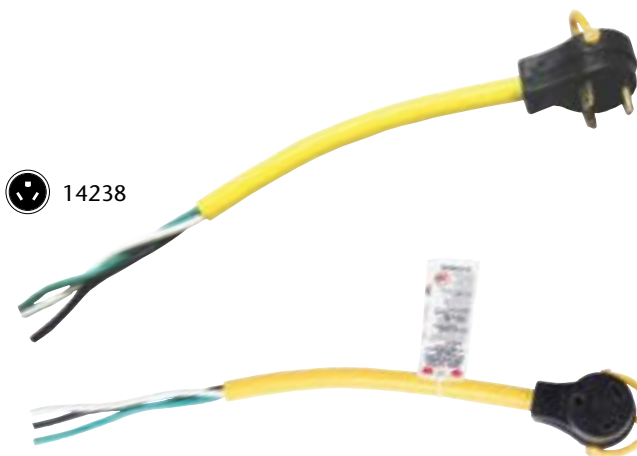
14247

14250

## 110V Stripped Power Cords

110V stripped power cords have a molded female plug and are stripped at the other end to make it easy to hard wire to any connection.

19-3307 14247 30A Male-Stripped, 25' Powercords  
19-3332 14250 50A Male-Stripped, 25' Powercords



14238

14363

## Premium Series 110V Stripped Temporary 18" Pigtails

Adapts all brands of RV plugs. Made of durable PVC. Solid brass contacts. Not UL listed.

19-3303 14363 Premium 30A Female-Stripped 18" Pigtail  
19-3306 14238 Premium 30A Male-Stripped 18" Pigtail

# POWER CORD ADAPTERS

Arcon®



## 110V 15A Temporary Adapter

Replacement adapter, triangular. Black

19-3351	14053	15A F to 30A M
19-3349	14054	15A F to 30A M Bulk
19-2166	14053C	15A F to 30A M CSA
19-2405	14054C	15A F to 30A M CSA Bulk



## 110V 30A Temporary Adapter

Replacement adapter, triangular. Black

19-3348	13993	30A F to 15A M Tri CSA Cd/1
19-3339	13995	30A F 15A M Tri CSA Bulk



## 90° 30A Temporary Adapter

RV plug; 90 degree angle. Easy grip handle. Black

19-3352	14081	30A F to 15A M
19-3723	14082	30A F to 15A M Bulk
19-4332	14081C	30A F to 15A M CSA
19-4497	14082C	30A F to 15A M CSA Bulk



## 110V 15A Temporary Adapter

RV plug; round. Easy grip handle. Black

19-3338	14057	15A F to 30A M
19-3337	14058	15A F to 30A M Bulk
19-2644	14057C	15A F to 30A M CSA
19-2805	14058C	15A F to 30A M CSA Bulk



## 110V 30A Temporary Adapter

RV plug; triangular. Easy grip handle. Black

19-3722	13218	30A F to 15A M Round CSA Cd/1
19-3336	13333	30A F to 15A M Round CSA Bulk



## 30A RV Round Adapter

L5-30 x 30A RV Round Adapter

19-3724	14398	L5-30 M x 30A RV F
---------	-------	--------------------



## Easy Grip 30A Round Adapter

Made of durable UV protected PVC with solid brass contacts and molded Easy-Grip. Bulk. Yellow.

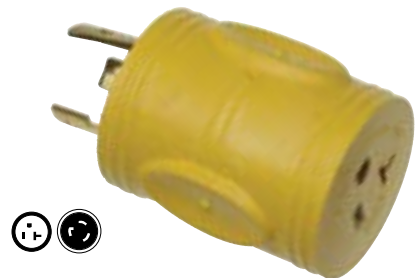
19-3335	14018	30A Female-50A Male
19-1138	14018C	30A Female-50A Male CSA



## Easy Grip 50A Round Adapter

Made of durable UV protected PVC with solid brass contacts and molded Easy-Grip. Bulk. Yellow.

19-3334	14014	50A Female-30A Male
19-1003	14014C	50A Female-30A Male CSA



## 30A Twist Adapter

30A Twist, Bulk.

19-3353	11827	L5-30 M to 5 20R F
---------	-------	--------------------



18206 ☺



18203 ☹

## Replacement 30A Receptacle & Plug With Folding Handle

Great for making custom extension cord and adapters. Easy grasp handle allows for easier plug removal. Yellow handles makes the ends easier to see at night. Made of high impact plastic and solid brass contacts. cUL Approved.

19-3359	18203	30A Male Cord End
19-3364	18206	30A Female Cord End

19194 ☺



19186 ☹

## Replacement 50A Receptacle & Plug With Folding Handle

Great for making custom extension cord and adapters. Easy grasp handle allows for easier plug removal. Yellow handles make the ends easier to see at night. Made of high impact plastic and solid brass contacts. cUL Approved.

19-3358	19186	50A Male Cord End
19-3725	19194	50A Female Cord End



## 30A Dual Adapter

30A Twist, Bulk.

19-3354	11828	L5-30 M to 2 x 5 20R F
---------	-------	------------------------



\*CSA is a Canadian certification. Products marked with it are available for sale in Canada



# VENTMATE®

## **QUICK INDEX:**

A/C Gaskets.....	94
A/C Seals.....	94
Fan Blades.....	94
Insect Screens.....	95
Pedestal Table Bases.....	96
Refrigerator Vents.....	96
Replacement Vent Lids.....	94
Vent Covers.....	94

[ventmate-products.com](http://ventmate-products.com)



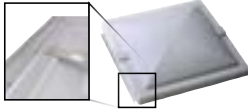


## REPLACEMENT VENT LIDS

Fits 14" x 14" plastic frame vents. Note: When replacing Heng's smoke vent lids, Ventmate smoke lids will not be an exact color match. Vents are packaged two ways: individually in a retail box and bagged with a header card.

### Fits Pre-1995 Old Style Elixir Vents

22-0151	61634	White, 1/box
22-0215	63116	White, 1/bag
22-0217	63118	Smoke, 1/bag



### Fits Pre-1995 Jensen & Heng's Vents

22-0150	61628	White, 1/ Box
22-0342	63110	White, 1/ Bag
22-0162	63112	Smoke 1/ Bag



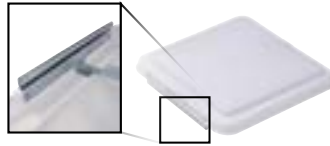
### Fits Post-1995 Jensen & Heng's Vents

22-0244	69284	White, 1/ Box
22-0242	69282	White, 1/ Bag
22-0243	69283	Smoke 1/ Bag



## REPLACEMENT VENT LIDS

Low profile replacement lids for Ventline and 1995+ Elixir and Heng's universal vents. Fits 14" x 14" plastic frame vents. Note: For Ventline vents with a 12V fan, use a standard profile lid to fit over the large fan.



### Low Profile Vent Lids

22-0139	61255	White, 1/box
22-0187	63113	White, 1/bag
22-0214	63115	Smoke, 1/bag

### Standard Profile Vent Lids

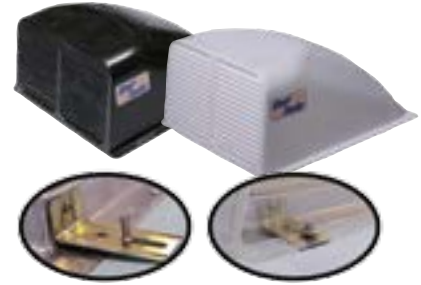
22-0221	69280	White, 1/ Box
22-0219	69278	White, 1/ Bag
22-0220	69279	Smoke 1/ Bag

### Lifetime Warranty Vent Lid

22-0218	65479	White, 1/box
---------	-------	--------------

## VENT COVERS

Lets fresh air circulate while keeping the weather out! Top vents can be left open even when it is raining. Aerodynamic design. Includes installation hardware and a rubber roof vent kit. Rubber Roof Mounting Kit eliminates the need to remove existing vent mounting screws and the need to drill holes.



22-0223	67310	Vent Cover, White
22-0224	67313	Vent Cover, Black
13-0635	65213	Rubber Roof Mtg. Kit

## FAN BLADES

Impact resistant, plastic 6" white fan blades fit 12V powered roof vents and range hoods. Direction of spin is determined by looking down through the motor at the top of blade. CW=clockwise; CCW=counter clockwise.

22-0343	65483	Ventline, 1/8" Rd-Bore, CCW
47-0002	65484	Ventline & Jensen 1/8" D-bore, CW
47-0003	65485	Ventline & Jensen 1/8" D-bore, CCW
47-0004	65491	Ventline 3/32" Rd-bore, CCW



62901

## AIR CONDITIONER GASKETS

For a perfect air conditioner installation. Corners are pre-sealed for water tight integrity.

### Air Conditioner Gasket

08-0060	62901	A/C Seal 14" x 14"
---------	-------	--------------------

### Gasket Kits for Coleman A/Cs

08-0062	65526	A/C Gasket Kit 14" x 14"
08-0063	65527	A/C Gasket Kit 14" x 16"



65526



65527



## VENT INSULATOR

Fits standard 14" x 14" vent openings. Keeps heat inside during winter and keeps heat and sun out during the summer. Improves A/C efficiency. Easy pull strap.

01-0646	67304	Vent Cushion With Pull Strap
---------	-------	------------------------------



# VENTMATE®

## NEW!

### INSECT SCREENS

#### Safeguard your RV Appliances with Ventmate Insect Screens

Protect your RV ventilation systems from insects, mice and pests. Ventmate Insect Screens prevent pests from entering and nesting inside your vented appliances and maintain maximum air flow.

- High quality stainless steel screen and springs.
- Unique silicone rubber mount edging provides noise and scratch-free application. (application specific)
- Easy-grip tool with crossbar locator enables fast and easy spring installation. (application specific)
- Chrome-finished wire ties look great and last longer. (application specific)
- Protects children and pets from hot vent exposure.
- Limited 1 year warranty protection against defects in material and workmanship.
- Fast and easy installation with step-by-step instructions with enhanced illustrations.
- Inspect and clean insect screens monthly to ensure unrestricted airflow.

**Ventmate offers over 23% more screens with 45% more applications than the competition.**

71-7487	68297	Insect Screen VNT-F100	Furnace
71-7493	68325	Insect Screen VNT-F200	Furnace
71-7489	68304	Insect Screen VNT-F300	Furnace
71-7490	68307	Insect Screen VNT-F400	Furnace
71-7488	68302	Insect Screen VNT-F500	Furnace
71-7502	68660	Insect Screen VNT-F600	Furnace
71-7499	68480	Insect Screen VNT-P100	Plumbing
71-7497	68393	Insect Screen VNT-R500	Refrigerator
71-7496	68339	Insect Screen VNT-R600	Refrigerator
71-7503	68671	Insect Screen VNT-R600A	Refrigerator
71-7501	68585	Insect Screen VNT-R700	Refrigerator
71-7498	68401	Insect Screen VNT-R800	Refrigerator
22-0587	69194	Insect Screen VNT-R900	Refrigerator
71-7500	68581	Insect Screen VNT-S500	Stove
71-7494	68327	Insect Screen VNT-W200	Water Heater
71-7492	68322	Insect Screen VNT-W400	Water Heater
71-7495	68335	Insect Screen VNT-W500	Water Heater
71-7491	68309	Insect Screen VNT-W600	Water Heater
71-7504	68672*	Rplcmnt Install Tool Kit	Standard Tool Kit (RK*)
71-7505	68673*	Rplcmnt Install Tool Kit	Deluxe Tool Kit (UK*)



**REFRIGERATOR VENT LIDS**

Made of high-impact plastic. UV stabilized. These are direct replacement lids for Norcold or Dometic refrigerator vents. Screws are included. New Style (N/S) or Old Style (O/S), as indicated.

**Refrigerator Vent Lids, Black**

- 22-0227 62712 Refrigerator Vent Lid New Style Dometic
- 22-0228 62718 Refrigerator Vent Lid Norcold

**Refrigerator Vent Lids, Polar White**

- 22-0234 65528 Refrigerator Vent Lid New Style Dometic
- 22-0239 65529 Refrigerator Vent Lid Old Style Dometic
- 22-0240 65532 Refrigerator Vent Lid Norcold



**NEW!**

**UNIVERSAL REFRIGERATOR VENT LIDS AND BASES**

Made of high-impact plastic. UV stabilized. These are universal replacement lids and bases for refrigerator vents.

**Universal Refrigerator Vent Lid and Base, Polar White**

- 71-7930 68290 Universal Refrigerator Lid w/screws.
- 71-7931 68291 Universal Refrigerator Base w/screws.

**Universal Refrigerator Vent Lid and Base, Black**

- 71-7932 68292 Universal Refrigerator Lid w/screws.
- 71-7933 68294 Universal Refrigerator Base w/screws.



48731



48732



48733

**HEAVY-DUTY PEDESTAL BASES**

Pedestal base, bright aluminum

- 18-0793 48731 Surface Mount Base, Round, 7-1/2" Dia.
- 18-0794 48732 Flush Mount Base, Round, Recessed, 6-1/4" Dia.; Hole Insert is 2.2" dia., 2" deep
- 18-0795 48733 Flush Mount Base, Square 5-15/16" x 5-15/16" Recessed,



# Aqua Pro®

**FRESH, ODORLESS DRINKING WATER FOR YOUR RV OR BOAT**

## **QUICK INDEX:**

50 Mesh Strainer.....	96
Anode Rods .....	100
Caps & Plugs .....	99
Check Valves .....	99
Hose Saver .....	99
RV Starter Kits.....	100
Starter Kit Hose .....	96
Water Fills & Check Valves.....	100
Water Hoses .....	96
Water Regulator .....	99
Universal Water Pump.....	96

[aquaproducts.com](http://aquaproducts.com)





**FRESH, ODORLESS DRINKING WATER FOR YOUR RV OR BOAT**

**UNIVERSAL 12V, 3.0 GPM WATER PUMP**

Meet the Aqua-Pro Universal 3.0 GPM Water Pump. Designed with an automatic demand diaphragm with raw power and pressure that can adapt to situations where huge flow is not needed. Compact but capable, it is a great fit for tight spaces. May be configured with different inlet types, each with their own unique fittings to ensure it fits any application. NOT certified for use in boats

**SPECS:**

- Max flow: 3.0 GPM
- Electrical: 12V DC
- Inlet: 1/2" -14 MNPS
- Outlet: 1/2" -14 MNPS
- Weight: 4.0 lbs (2.5 kg)
- Pressure: 55 PSI
- Max amperage: 8.5
- 2 Year Warranty

**FEATURES:**

- Corrosion resistant valves
- Can run dry without damage
- Self-priming
- Low power draw
- Santoprene diaphragm
- Easy connect system
- Includes strainer
- Smooth operation

71-8551	21847	AP3000 Water Pump
71-8552	21849	AP3000 Water Pump / 6pk Bulk



**50 MESH STRAINER**

Strainers prevent debris and other particles from entering pump eliminating unnecessary repairs. Screws directly to the pump head. Transparent design for easy maintenance.

71-8553	21850	50 Mesh Strainer
---------	-------	------------------

**100% American  
Made Quality**



**WATER HOSES:**

10-0634	20863	1/2" x 25'
10-0651	20865	1/2" x 50'
10-0652	20866	5/8" x 25'
10-0655	20867	5/8" x 50'

**STARTER KIT HOSE:**

10-0633	20869	1/2" X 15'
---------	-------	------------

**Guarantee fresh tasting drinking water with Aqua-Pro®'s special lead-free, drinking water safe materials. High quality construction, by top industry manufacturer APEX®, Aqua-Pro® has exclusive ThumThing® Coupling that attaches easily to any hose bib.**





**FRESH, ODORLESS DRINKING WATER FOR YOUR RV OR BOAT**



### CAPS & PLUGS

Keep dirt and debris out of fresh water hoses or regulators. Male threaded replacement plugs for most water fills with brass garden hose connections. Female threaded cap for use on any male threaded garden hose end or water regulator. Will fit any 3/4" male garden hose thread. Includes strap. White.

11-0507	27838	Plug & Strap, Bulk
11-0508	27839	Plug & Strap, 1/card
11-0517	27917	Cap & Strap, 1/card



### LEAD-FREE RV WATER REGULATORS

Protect your RV plumbing system from damage due to high pressure. Outlet pressure is preset to 45 PSI. Fits all standard garden hose and hose bib type connections. The "Easy-Gripper" makes installation easy, and eliminates the need for tools. Made of high quality, food grade, non toxic materials that meet NSF requirements and are lead-free and DEHP-free. Standard models include an "Easy-Gripper" and a washer w/strainer, are rated for 150 PSI. max, and have a 1 year warranty. Deluxe models include an "Easy-Gripper" and a washer w/strainer, male and female protective covers with "Keeper" straps to keep dirt and debris out during storage, are rated for 300 PSI. max, and have a 2 year warranty. Lead-free.

10-0670	20847	Regulator, Standard, Lead-free, 1/box
10-0672	20849	Regulator, Standard, Lead-free, 1/card
10-0673	20853	Regulator, Deluxe, Lead-free, 1/card



### HOSE SAVER

90° hose saver prevents hose from kinking or pinching. Features pre-assembled EZ hose gripper for ease of use. Built-in strainer on one end. Great for RVs, homes, or boats.

10-0658	20647	90° Lead-free
---------	-------	---------------



### CHECK VALVES

Direct replacement for Marshall Brass and for Hydronamic Products. Aqua Pro models are made of non-toxic, food-grade materials, have 1/2" pipe thread, and are certified to IAPMO and NSF standards. Lead-free.

10-0695	20809	Backflow Preventer, 1/2" M x F, 1/card
10-0699	20810	Backflow Preventer, 1/2" M x M, Bulk
10-0700	20812	Backflow Preventer, 1/2" M x F, Bulk
10-0702	20818	Backflow Preventer, 1/2" M x M, 1/card



### WATER FILLS & CHECK VALVES RECESSED MODELS

Recessed models are 4-1/2" outside dia. and require a 3-1/2" dia. cutout. Available in metal or plastic. Metal is powder coated for a long lasting finish. Plastic is UV stabilized for durability.

#### Mounting Flange w/1/2" FPT:

10-0986	27882	Colonial White, 1/card
10-0691	27886	Polar White, 1/card







**FRESH, ODORLESS DRINKING WATER FOR YOUR RV OR BOAT**



**WATER FILLS & CHECK VALVES  
SURFACE MOUNT MODELS**

Surface mount models are available in metal, plastic and aluminum. Metal is powder coated for a long lasting finish. Plastic is UV stabilized for durability. Aluminum has a “brushed” finish. Surface mount models are 3” outside diameter, and require a 1-1/4” diameter cutout.

**Aluminum Surface Mounting Flange w/1/2” FPT:**

10-0683 27884 1/card

**Metal Surface Mounting Flange w/1/2” FPT:**

10-0680 27883 Polar White, Bulk  
10-0677 27881 Polar White, 1/card

**Plastic Surface Mounting Flange w/1/2” MPT:**

10-0694 27895 Polar White, Bulk  
10-0693 27893 Polar White, 1/card



**WATER HEATER ANODE RODS LEAD-FREE**

- 18% more magnesium for extended protection
- Significantly extends the water heater tank life

The single most important factor in tank life is the condition of its anode. Aqua Pro Magnesium Anode Rods will attract the elements that cause corrosion, protecting the tank from those elements. Simply replace your MPT drain plug with the Aqua Pro Anode Rod to protect your tank. For best results the anode rod should be replaced annually.

**Magnesium Anode Rod for Suburban & Morflo Water Heaters,  
Lead-Free, 9-1/2” L, 3/4” MPT:**

09-0007 69716 1/card  
09-0013 69717 Bulk

**Magnesium Anode Rod for Atwood Water Heaters,  
Lead-Free, 4-1/2” L, 1/2” MPT:**

09-0008 69718 1/card  
09-0012 69719 Bulk



**STANDARD STARTER KIT**

Kit includes: one Triangular Adapter 30A F-15A M; one 3” Hose Clamp; one Sewer Hose Straight Adapter; one 3” x 10’ Standard Sewer Hose; two 2-Oz. Aqua Kem Dry; one 1/2” x 15’ Water Hose; one Roll CP Tissue Super Soft; one Pair Latex Gloves, Large.

03-0491 27588 Starter Kit Box-Standard



**DELUXE STARTER KIT**

Kit includes: one Triangular Adapter 30A F-15A M; one 3” Hose Clamp; one 1/2” x 25’ Water Hose; one Sewer Hose Straight Adapter; one 3” x 10’ Standard Sewer Hose; two 2-Oz. Aqua Kem Dry; one Aqua Pro Std Water Regulator; one Roll CP Tissue Super Soft; one Level Multi-Surface; one Pair Latex Gloves, Large.

03-0627 27589 Starter Kit Box-Deluxe

# DURAFLEX<sup>®</sup>

SANITATION

**NEW!**  
**SEWER HOSE KITS**







**QUICK INDEX:**

Bumper Plugs.....	104
Closet Flange Seal .....	104
Deluxe Sewer Hose Kit .....	103
Drain Hoses .....	103
Hose Coupler.....	104
Premium Sewer Hose Kit.....	103
Sewer & Drain Fittings .....	104
Sewer Fitting .....	104
Sewer Rings.....	104
Termination Caps.....	104
Toilet Tissue .....	104
Waste Valves.....	104

*[duraflex-products.com](http://duraflex-products.com)*



## Hassle-Free Swivel Fittings. No Grease Required!

**NEW!**

### DELUXE RV SEWER HOSE KITS



21mil polypropylene reinforced with internal steel wire frame. Integrated Swivel fitting ends. Hose threaded on the outside for a snug fit and to prevent obstructions. Fittings are secured with adhesive to prevent leaks or loosening. Easy to use swivel fittings are clean and require no grease. Boxed.

72-0633	21843	15' Deluxe Kit 15' Fully Extended; Collapses to 57"
72-0672	21844	20' Deluxe Kit Each 10' hose collapses to 39"

**NEW!**

### PREMIUM RV SEWER HOSE KITS



24mil polypropylene with 100mil external polymer beading that protects from wear and tear. Integrated swivel fitting ends are easy to use. The hose is threaded over the adapter and sealed with permanent adhesive to ensure no leaks or loosening occurs. Boxed.

72-0673	21845	15' Premium Kit 15' Fully Extended; Collapses to 53"
72-0674	21846	20' Premium Kit Each 10' hose collapses to 38"

### DURAFLEX DRAIN HOSES

Rugged, easy-to-handle, easy-to-install sewer hose for use on all RVs. Protects from toilet chemicals and extreme temperatures. Remains flexible and easy to use in all weather conditions. Made with high-tensile strength spring steel, encased in high-quality vinyl. All lengths are 3" inside diameter, and compress for easy storage: 10' lengths compress to 20"; 20' lengths to 40". Recommended by EZ Coupler Hose Fittings for its self-threading ability with no hose clamps needed.



#### STANDARD DRAIN HOSES

Our top-selling hose! 8-mil vinyl, .0375" wire diameter, 18 coils per foot. Blue.

11-0455	24950	10' Hose / Boxed
11-0456	24951	20' Hose / Boxed
11-0449	24948	10' Hose / Bagged
11-0454	24949	20' Hose / Bagged

#### HEAVY-DUTY DRAIN HOSES

12-mil vinyl, .0375" wire diameter, 20 coils per foot. Blue; boxed.

11-0457	24952	10' Hose / Boxed
11-0493	28273	15' Hose / Boxed
11-0533	24953	20' Hose / Boxed



#### DELUXE HEAVY-DUTY DRAIN HOSES

16-mil vinyl, .045" wire diameter, 25 coils per foot.

Blue/gray; boxed.

11-0458	24956	10' Hose / Boxed
11-0459	24957	20' Hose / Boxed

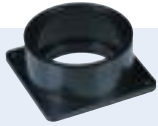
#### PREMIUM HEAVY-DUTY DRAIN HOSES

For the best of times, and the worst of times! 20-mil vinyl over .054" wire diameter gives you extra strength; 30 coils per foot makes it easy to handle. Gray, boxed.

11-0491	24958	10' Hose / Boxed
11-0492	24959	20' Hose / Boxed

## SEWER AND DRAIN FITTINGS

All Duraflex adapters, caps and fittings interchange with Valterra, Anonda and Larden fittings. Slip sockets and spigots with flanges for attaching to drain valves. Bayonet end for attaching 3" bayonet fittings to drain valves. Made of durable, UV-stabilized ABS.



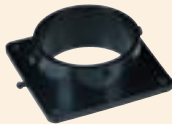
### Slip Socket Flanges:

11-0509	27899	3"
11-0510	27900	2"
11-0511	27901	1-1/2"



### Spigot Flanges:

11-0516	27905	3"
11-0514	27904	2"
11-0513	27903	1-1/2"



### Bayonet Flanges:

11-0512	27902	3"
---------	-------	----



### 3/4" Hose Cap with Strap:

10-0961	27797	1/Card
10-0712	20099	Bulk



### 45° Flex Angled Hose Adapter:

11-0503	24653	3" Hose x 3"
		Bayonet Hook, Carded
11-0499	24649	3" Hose x 3", Bulk



### 3" Termination Cap:

11-0505	24656	w/ Bayonet Hooks, Carded
11-0502	24652	Plain, Bulk



### 3" Straight Flex Adapter:

11-0504	24654	3" Hose x 3"
		Bayonet Hook, Carded
11-0500	24650	3" Hose x 3", Bulk



### 3" TERMINATION CAP W/ 3/4" HOSE THREAD CONNECTION:

11-0534	24655	w/ Bayonet Hooks, & Cap, Carded
11-0501	24651	Garden Hose Cap, Bulk



### HOSE-TO-HOSE COUPLER

Couple 2 or more 3" sewer hoses together for extended reach.

11-0495	27906	3"
---------	-------	----



### 45° SEWER FITTING

45° angle eliminates hose kinks. Clear adapter allows you to see when your tank is rinsed clean.

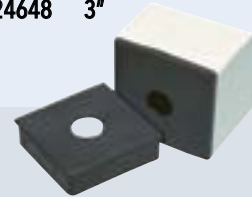
11-0506	27669	Clear
---------	-------	-------



### BASIC WASTE VALVES

Threaded handle for easy replacement. Stainless steel shafts. Rubber seals for leak protections. Plastic valves, handles and fittings.

11-0496	24646	1-1/2"
11-0497	24647	2"
11-0498	24648	3"



### 4" SEWER HOSE BUMPER PLUG

4" rubber plugs for sewer hose bumper.

11-0111	79403	Bumper Plug, 2/card
11-0535	70406	Bumper Plug, Bulk



### SEWER RING

Adapts fitting to sewer title for a tight seal. Mandatory in some areas.

11-0494	21341	Sponge Rubber
---------	-------	---------------



### CLOSET FLANGE SEAL

10-0709	20676	Rubber Sponge, 9/16"
---------	-------	----------------------



### RV AND MARINE TOILET TISSUE

Soft, strong, absorbent and economical, this facial quality tissue dissolves rapidly and flushes easily in all types of RV and marine toilets.

#### 2-PLY TISSUE

13-1129	25965	2-ply, 4Pk, 24/cs
---------	-------	-------------------



# Tote-N-Stor<sup>®</sup>

*Tote-N-Stor<sup>®</sup> Portable Waste Transporters provide you with the added waste water storage for those long stays without moving your RV.*

## QUICK INDEX:

2-Wheel Portable Waste Transporters .....	108
4-Wheel Portable Waste Transporters .....	107
Accessory Kit .....	108
Display .....	106
Replacement Parts .....	107 - 108



[tote-n-stor-products.com](http://tote-n-stor-products.com)



# Tote-N-Stor<sup>®</sup>

Tote-N-Stor<sup>®</sup> Portable Waste Transporters provide you with the added waste water storage for those long stays without moving your RV.

## NEW!

### DISPLAY

In-store A-frame display holds 4 Portable Tanks. Full Walk-Around View. Header Graphics on Both Sides. Reversible Bilingual Header. Easy to Assemble.

81-0871 90338 TNS Display



### DISPLAY REQUIRES:

#### 4-WHEEL PORTABLE WASTER TANKS:

11-0255	20123	25 Gal.
11-0246	20122	18 Gal.

#### 2-WHEEL PORTABLE WASTER TANKS

11-0234	25608	25 Gal.
11-0225	25607	15 Gal.



# Tote-N-Stor<sup>®</sup>

## PORTABLE WASTE TRANSPORTERS

Quality Constructed...  
Great Value!

### 4-WHEEL

**38**  
GALLON

**25**  
GALLON

**18**  
GALLON

The only 4-wheel tote tank that lets you store your extra hookup fittings. The Tote-N-Stor<sup>®</sup> tanks have a low-profile design for easy storage and a handy vent system that makes these not only quick to fill but also the fastest draining tanks on the market. The convenient Tote-N-Stor<sup>®</sup> tanks come completely assembled, including a built-in storage compartment with a 3/4" garden hose cap; a 3" sewer hose cap; a 3" straight hose adapter; a 15" garden hose; a 3" x 36" waste drain hose and clamps. A translucent sight tube shows you the fill level. The smart design also lets you drain the tank without lifting, and fill the tank without it bulging from expansion. A built-in tow handle is longer than the handles on other tanks, making the Tote-N-Stor<sup>®</sup> tanks easy to steer, and the extra length also prevents the tank from hitting your heels when you pull the tank. When you let go of the handle, it doesn't fall to the ground, so the Tote-N-Stor<sup>®</sup> handle stays clean, too.

**Easy disposal of waste water without having to break camp**

**Large rubber wheel design, makes it easy to transport a full tank for emptying**

**Fresh water hose inlet for easy cleanup**

**Blow-molded polyethylene construction is light-weight...won't rust or corrode**



**FREE Accessories Kit**  
Stored in special compartment

Accessories included: 15" of 3/4" gray water hook-up hose, 3" sewer hose cap, sewer hose adapter, 36" of 3" sewer hose, and hose clamp.

#### 4-WHEEL PORTABLE WASTER TANKS:

11-0246	20122	18 Gal.
11-0255	20123	25 Gal.
11-0266	20129	38 Gal.

#### 4-WHEELER REPLACEMENT PARTS

11-0548	20020	T-Handle
11-0540	20015	Wheel, Rear.
11-0546	20016	Wheel, Front
10-0712	20099	Garden Hose Cap
11-0547	20683	3" Plain Cap

#### 4-WHEELER REPLACEMENT PARTS

11-0544	20037	Repl. Handle 18 Gal.
11-0545	20038	Repl. Handle 25 Gal.
11-0543	20036	Repl. Handle 38 Gal.

#### RUBBER 2 WHEEL KIT

11-0237	27551	1 Kit
---------	-------	-------

# Tote-N-Stor®

Tote-N-Stor® Portable Waste Transporters provide you with the added waste water storage for those long stays without moving your RV.

3-year  
Manufacturer  
Warranty.

## 2-WHEEL

**32**  
GALLON

**25**  
GALLON

**15**  
GALLON

**11**  
GALLON

**6**  
GALLON



### 2-WHEEL PORTABLE WASTER TANKS:

#### 6 GALLON:

Easy to carry, without wheels.

21" L x 13-1/2" W x 9"H.

11-0226 25951 6 Gal.

#### 11 GALLON:

With wheels. 31-3/8" L x 15-1/2" W x 9"H

11-0223 25606 11 Gal.

#### 15 GALLON:

With wheels and storage compartment and accessories. 31-1/4" L x 17-3/4" W x 11-5/8" H

11-0225 25607 15 Gal.

#### 25 GALLON:

With wheels and storage compartment and accessories. 35-1/4" L x 24" W x 11-5/8" H

11-0234 25608 25 Gal.

#### 32 GALLON:

With wheels and storage compartment and accessories. 45-3/4" L x 24" W x 11-5/8" H

11-0235 25609 32 Gal.

*Accessories stored in special compartment on 15, 25 & 32 gallon models. Accessories included: 15" garden hose, 3/4" gray water hook-up hose, garden hose cap, sewer hose adapter, 36" of 3" sewer hose, hose clamp and a tow bracket.*

The larger 15, 25 and 32 gallon models add capacity, along with the convenience of a storage compartment for those commonly needed fittings used to connect or drain your portable tank. These tanks can be used in conjunction with both gray and black water holding tanks.



#### ACCESSORY KIT

Accessory kit includes: 15" garden hose, 3/4" cap and strap, straight hose adapter, hose clamp and termination cap.

11-0527 27283 1 Kit

### 2-WHEELER REPLACEMENT PARTS

11-0236 27282

Repl. Lid

71-5184 21406

Wheel Retainer Kit Bg/2

71-5366 20571

Rear Wheel Spacer White

72-0418 20568

Coupler Swivel V4 1Ea Pp Mat'l

72-0419 20569

Coupler Nut V4 1Ea Poly Mat'l

72-0421 20570

O-Ring Adapter V4 1Ea

#### TOW BRACKET

11-0301 25644

1 Bracket





*Enjoy the outdoors in comfort and style.*





**QUICK INDEX:**

Big Dog Chairs.....	113
Canadian Flag Mats.....	117
Collapsible Utility Container .....	114
Compact Director's Chair .....	112
Deluxe Patio Mats.....	115 - 116
Director's Chair .....	113
El Capitan Chair .....	113
Folding Bicycles.....	118
Folding Cooler .....	114
Heavy-Duty Awning Tie-Down .....	118
Patio Mat Carrying Bag .....	118
Portable Grills.....	114
Portable Kitchen .....	114
Pull-Down Wand.....	118
Recliners.....	111 - 112
Recliner Carrying Bag .....	112
Replacement Laces.....	112
Rocking Chairs.....	113
Serving Tray .....	112
Step Stabilizer.....	118
Work & Play Mats .....	117

### MALIBU RECLINERS

Malibu recliners feature a relaxing Bungee® cord system that provides flexible support, ergonomically contoured armrests that follow every move of the seat and an easy-to-use lever lock system lets you select your favorite reclining position. Nylon mesh recliners let air circulate. The sturdy, powder-coated steel frame is lightweight and folds compactly for storage or travel. Padded recliners have 1" of high-density foam covered in poly/cotton fabric and a removable headrest for additional support. XL recliners have a seat back height of 44"H. Supports 300 lbs.



Black Mesh

Blue Padded

Black Padded

Checkered Flag Padded

Green Padded

Tan Mesh

- 03-0413 48962 Black Mesh
- 03-0437 48972 Black Mesh XL
- 03-2163 52299 Tan Mesh
- 03-2164 52300 Tan Mesh XL
- 03-0417 48963 Padded Black
- 03-0441 48973 Padded Black XL
- 03-0421 48964 Padded Blue
- 03-0446 48974 Padded Blue XL
- 03-0424 48965 Padded Green
- 03-0447 48975 Padded Green XL
- 03-2155 52291 Padded Fuchsia
- 03-2156 52292 Padded Fuchsia XL
- 03-0405 48969 Padded Checkered

Fuchsia Padded

### LAGUNA RECLINERS

Enjoy the outdoors in comfort and style while relaxing in a Faulkner recliner. Features a relaxing Bungee® cord system for flexible support, ergonomically plastic armrests, a removable headrest and easy locking levers let you recline to a fully laid-back sleeping position. Also features a high density foam covered seat and poly-cotton fabric that is accented with black for a unique look. Sturdy, powder-coated steel frame is lightweight and folds compactly for storage or travel. XL recliners have a seat back height of 44"H. Supports 300 lbs.



Red/Black



Blue/Black

Green/Black

- 03-0422 48966 Green/Black
- 03-0453 48976 Green/Black XL
- 03-0423 48967 Red/Black
- 03-0454 48977 Red/Black XL
- 03-0426 48968 Blue/Black
- 03-0469 48978 Blue/Black XL
- 03-2158 52294 Gray/Black
- 03-2157 52293 Gray/Black XL



Mocha

### NEWPORT RECLINERS

Take a nap, read a book or just daydream in these stylish and comfy recliners. Wooden armrests add a touch of furniture quality. Padded poly/cotton fabric is combined with nylon mesh panels to let air circulate. Slider style headrest is easily adjustable. XL recliners have a seat back height of 44"H. Supports 300 lbs.



Beach Sand

- 03-0404 48960 Beach Sand
- 03-0430 48970 Beach Sand XL
- 03-0409 48961 Mocha
- 03-0432 48971 Mocha XL

### CATALINA RECLINERS

Stylish, diamond quilted recliners are super comfy for relaxing after those long walks on the beach or hikes on mountain trails. Built-in cup holder means your beverage is within easy reach. Features a relaxing Bungee® cord system for flexible support, ergonomic plastic armrests, a removable headrest and easy locking lever for reclining to a fully laid-back sleeping position. Sturdy, powder-coated steel frame is lightweight and folds compactly for storage or travel. XL recliners have a seat back height of 44" H. Supports 300 lbs.

- 03-2160 52296 3-tone, Blue
- 03-2159 52295 3-tone, Blue, XL
- 03-2612 52298 3-tone, Gray
- 03-2161 52297 3-tone, Gray, XL



### SANTA MONICA RECLINERS

Kick up your feet and relax in these comfy recliners. Have your food and favorite beverage at your fingertips with the built-in slide out table. Features a heavy-duty aluminum frame with breathable 3D mesh back and seat. Relaxing Bungee® cord system provides flexible support. Easy-to-use lever lock system lets you select your favorite reclining position. Headrest is adjustable for extra lumbar support. XL recliners have a seat back height of 44" H.

- 03-2153 52289 Platinum
- 03-2154 52290 Platinum XL

### RECLINER SERVING TRAY

A must for every recliner owner! Rotates and swivels from over your lap to completely out of the way. Fits all Faulkner recliners. Easy to assemble. 13" x 9.75" with a 9" diameter plate area. Holds up to 5 lbs.

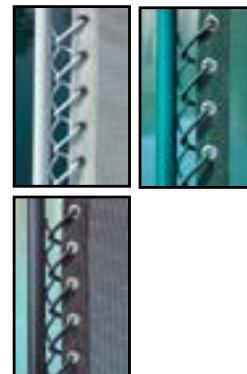
- 03-0363 48945 Serving Tray, Black
- 03-0359 48100 Serving Tray, White



### REPLACEMENT LACING

Keep your Faulkner and Laguna recliners comfortable by changing the lace every two years. Molded metallic ends help make re-lacing easier and quicker. Includes four pieces of lacing: two long for the leg rest area and two short for the backrest of a recliner. Fits standard and XL size Faulkner and Laguna recliners.

- 03-0603 48529 White
- 03-0619 48531 Black
- 03-0620 48532 Green



### RECLINER CARRYING BAG

Carry and protect your Faulkner recliner from scratches, dirt, water and grease with a Faulkner Carrying Bag. It's made of tough, vinyl coated polyester and a reinforced shoulder strap with an ergonomic side handle for easy carrying. Vented design prevents mold and mildew. Fits standard and XL recliners.

- 03-0472 43951 Recliner Bag, Black



### COMPACT DIRECTOR'S CHAIR

Sets up quickly and easily. Folds to compact size for ease in carrying or storage. Includes a side table with built-in drink holder and side pouch for your mobile phone. Stain resistant, easy-to-clean polyester fabric.

Open: 34.25" L x 20.47" W x 18.11" H.  
 Folded: 20.87" L x 5.90" W x 18.90" H.  
 Holds up to 300 pounds.

- 03-2139 52284 Black





### DIRECTOR'S CHAIRS

Have your food and beverages at your fingertips with these lightweight aluminum chairs (1-1/8" tube). Folding side tray includes a built-in cup holder and pocket pouch. UV resistant polyester fabric. Open: 17.75"D x 23.5"W x 33.5"H. Holds up to 300 lbs. 1 year warranty.

03-0473	48870	Green w/ Cupholder/Tray/Bag
03-0475	48871	Black w/ Cupholder/Tray/Bag
03-0480	48872	Blue w/ Cupholder/Tray/Bag
03-2143	52283	Burgundy w/ Cupholder/Tray/Bag
03-1980	49480	Repl. Footpads (4)



Green

Black



03-0622	43946	Green
03-0488	43947	Blue
03-0487	43948	Black
03-1979	44019	Repl. Footpads

### DELUXE DIRECTOR'S CHAIRS

Lightweight aluminum chairs (1-5/8" tube ) are perfect when you want to relax. Weighs only 8 lbs. Curved arms and padded armrests add another level of comfort. UV resistant polyester fabric with a mesh panel allows air to flow-thru during hot and humid weather. Folds up easily for storage. Attached carry handle makes it convenient to take to the beach or along to any event. Weight capacity 250lbs. Open: 21.5" D x 24.5" W x 35.5" H.

### EL CAPITAN DIRECTOR'S CHAIRS

Ideal for long, comfortable sitting. Built-in insulated cooler holds up to 12 cans, plus there's a built-in drink holder in the attached side tray. Cooler is 14" x 9.8" x 5.5". Sets up and folds up quickly and easily. Stain resistant, easy to clean 600D polyester fabric. Open: 37.8" D x 43.7" W x 21.7" H. Folded: 35.4" D x 5.9" W x 21.7"H. 300lb weight capacity.

03-0313	49580	Black/Black
03-0318	49581	Blue/Black
03-0325	49582	Burgundy/Black
03-2142	52287	Green/Black
03-2307	69230	Dk Blue/Lt Green

Dk. Blue/Lt. Green **NEW**



### DAKOTA ROCKING CHAIRS

Folding rocking chairs include a convenient pouch for your accessories like a water bottle, TV remote, or paperback novel. Padded seat and backrest give you extra comfort. Easy to set up, fold and carry. Open: 42.1"D x 24" W x 35.8"H. Folded: 47.2"D x 24"W x 6.9"H. Sturdy steel tubing with 600D polyester fabric. Holds up to 300 lbs.

03-0331	49596	Burgundy/Black
03-0332	49597	Black/Black
03-0334	49598	Blue/Black



Burgundy/Black

### BIG DOG BUCKET CHAIRS

Quick and easy to set up for comfortable seating in the padded seat and backrest. Includes a carrying bag with shoulder strap, making it easy to carry to different locations. Opens to 37.8" x 36.2" x 28.7". Folds up to 41.3" x 14.6" x 11.8". Holds up to 300 pounds.

03-0297	49570	Black/Black
03-0298	49575	Blue/Black
03-0299	49579	Burg/Black
03-2141	52286	Green/Black
03-2140	52285	Camo

Blue/Black



Camo





### GAS GRILL

The Faulkner grill works with disposable propane bottles, a portable tank, or your RV's propane supply. All models stand 22" tall. A sidewall mounting kit is included for attaching to the side of your RV; the kit can also be converted to a table stand for the grill. All units have a temperature meter, drip tray, latches that shut for transport, and piezo ignition. This grill is easy to operate and easy to use. Main grill size is 16.7" x 13.4"; upper rack size 11.8" x 5.9".

- 06-0029 51307 Black Grill w/o LP Adapter
- 06-0027 51322 Black Grill w/ LP Adapter
- 06-0028 51323 Stainless Grill w/ LP Adapter
- 06-0446 51324 Disposable Bottle Adapter

### DELUXE GAS GRILL

Stainless steel grilling surfaces, drip trays, locking tops, thermometers, and portable stands make these grills great for RVing and picnicking. Larger grills give you more grilling area and include a combination regulator and LPG connection. Uses an LP supply hose or disposable canister (sold separately). 12,000 BTUs. Bottom grill is 20.35" x 12.2", top grill is 14.17" x 4.57". CUL approved for use across North America.

- 06-0716 52301 Black Grill
- 06-0717 52302 Stainless Grill

### Replacement Parts

- 06-0559 51856 Grill Grate  
(not compatible with 52301 and 52302)
- 06-0560 51938 Gas Valve
- 06-0563 51939 Thermometer
- 06-0571 51940 Handle
- 06-0572 51941 Knob
- 06-0575 51942 Igniter

### CAMP CUISINE PORTABLE KITCHEN



Set up your outdoor kitchen where you want it. Features an aluminum top panel with wind deflector for your camp stove, plus three shelves with zipper doors. Each shelf holds up to 20 lbs. Steel tubing construction with 600D polyester fabric. Includes a carrying bag. Open: 22"D x 35"W x 32.2"H. Folded: 22"D x 37.4"W x 5.1"H.

- 03-0329 49583 Portable Kitchen

### OASIS FOLDING COOLER



Keep your beverages cold while camping, tailgating, and going to the beach. Features a large zipper top and Velcro® lid for easy access to drinks. Removable washable liner. Folds down to 7.5" x 18"W x 26"D.

- 03-0285 49569 Soft Cooler



### COLLAPSIBLE UTILITY CONTAINER



Expands to 24" high and collapses to 2" high. Polyethylene container has a spiral rib support wall for added strength. Includes 1 plastic peg and storage bag. Holds 33 gallon leaf and lawn bags.

- 03-0403 45640 Utility Container

**NEW**

**DELUXE MULTI-PURPOSE MATS**

Lightweight, 100% polypropylene mats are UV resistant and include built-in corner tie downs. Reversible mats (reverse pattern on each side) are mold and mildew resistant and easy to clean. Ideal for camping, tailgating, and boating.

**STRIPED MATS**



**Aqua/Navy/Lime/White**

01-1037 68678 9'x12' Aqua/Navy/Lime/White  
01-1038 68679 8'x20' Aqua/Navy/Lime/White



**Navy/White/Lime/Beige**

01-1040 68790 9'x12' Navy/White/Lime/Beige  
01-1041 68800 8'x20' Navy/White/Lime/Beige



**Blue/Brick/Beige/Green**

01-1043 68845 9'x12' Blue/Brick/Beige/Green  
01-1044 68847 8'x20' Blue/Brick/Beige/Green

**DIAMOND MATS**



**Turquoise/White**

01-1191 68902 9'x12' Turquoise/White  
01-1193 68903 8'x20' Turquoise/White



**Blue/Ivory**

01-1195 68912 9'x12' Blue/Ivory  
01-1196 68919 8'x20' Blue/Ivory



**Black/Beige**

01-1188 68888 9'x12' Black/Beige  
01-1189 68900 8'x20' Black/Beige

**SWIRL MATS**



**Black/Beige**

01-1058 68946 9'x12' Black/Beige  
01-1057 69098 8'x20' Black/Beige



**Brown/Beige**

01-1198 68860 9'x12' Brown/Beige  
01-1070 68862 8'x20' Brown/Beige

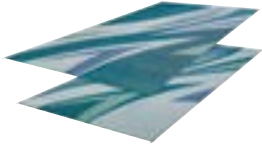
**STARS 'N STRIPES**



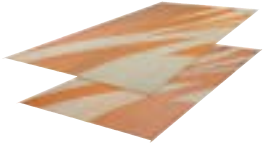
**Red/White/Blue**

01-1055 68872 9'x12' Stars 'n Stripes  
01-1186 68877 8'x20' Stars 'n Stripes

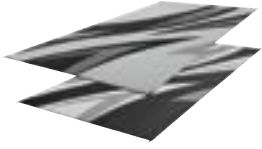




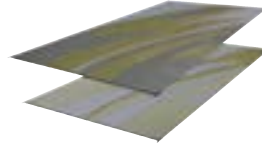
**Summer Waves Mat**  
(Green/Blue)



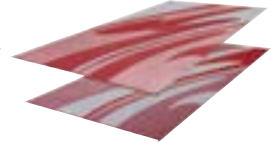
**Summer Waves Mat**  
(Tan/Gold)



**Summer Waves Mat**  
(Black)



**Mirage Mat**  
(Silver/Gold)



**Mirage Mat**  
(Burgundy)

**DELUXE MULTI-PURPOSE MATS**

Lightweight 100% polypropylene mats have convenient corner tie-downs. Mold and mildew resistant; easy to clean; UV material for sun protection.

**SUMMER WAVES MATS**

01-0070	45638	8'x16' Tan/Gold
01-0648	46258	8'x16' Black
01-0647	45637	8'x16' Green/Blue
01-0649	46294	8'x20' Green/Blue
01-0678	46322	8'x20' Tan/Gold
01-0679	46341	8'x20' Black

**MIRAGE MATS**

01-0071	46354	8'x16' Silver/Gold
01-0072	46361	8'x16' Burgundy
01-0073	46362	8'x20' Silver/Gold
01-0682	46363	8'x20' Burgundy

**CARIBBEAN MATS**

01-0716	48896	9'x12' Paradise - Blue
01-0717	48932	9'x18' Paradise - Blue
01-0721	48933	9'x12' Sahara - Brown
01-0722	48934	9'x18' Sahara - Brown
01-0723	48935	9'x12' Island Time
01-0724	48942	9'x18' Island Time

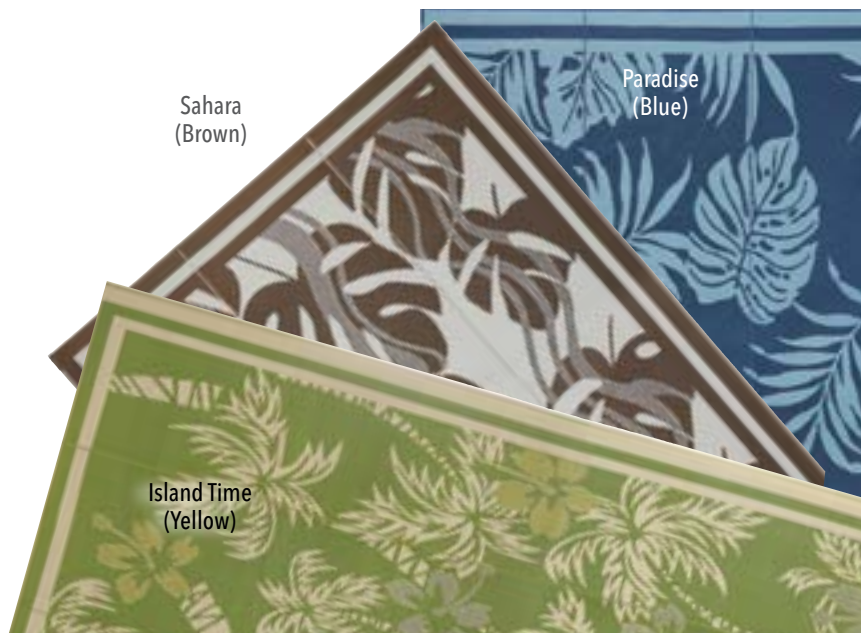


**Deluxe Multi-Purpose Mats**

Indoor/outdoor Faulkner Mats are reversible

(reverse pattern on each side), made of 100% polypropylene.

**Popular for... patios, camping, RVs, tailgate parties, beach, boating and picnics.**



Sahara (Brown)

Paradise (Blue)

Island Time (Yellow)

**REVERSIBLE MULTI-PURPOSE MATS**

Lightweight 100% polypropylene mats have convenient corner tie-downs. Mold and mildew resistant; easy to clean; UV material for sun protection.



**FINISH LINE MATS**

- 01-0448 48707 6' x 9' Mat
- 01-0495 48708 9' x 12' Mat
- 01-0551 48709 8' x 20' Mat

**MONTE CARLO MATS**

- 01-0084 48465 8' x 20' Blue
- 01-0082 48450 9' x 12' Beige

**VINEYARD MATS**

- 01-0086 48695 6' x 9' Beige
- 01-0686 48698 6' x 9' Blue
- 01-0286 48699 6' x 9' Green
- 01-0289 48700 9' x 12' Beige
- 01-0687 48701 9' x 12' Blue
- 01-0300 48702 9' x 12' Green
- 01-0639 49599 8' x 16' Beige
- 01-0307 48703 8' x 20' Beige
- 01-0308 48704 8' x 20' Blue
- 01-0309 48705 8' x 20' Green



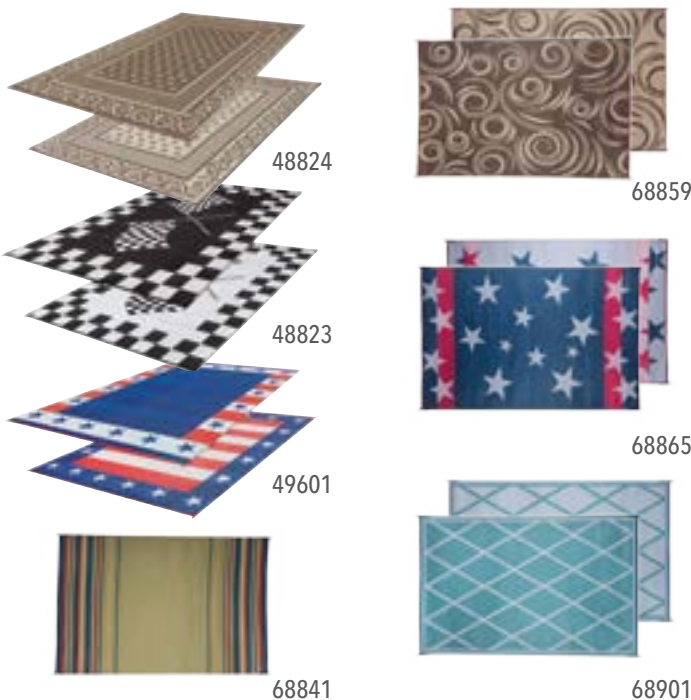
**INDEPENDENCE DAY MATS**

- 01-0075 46503 9' x 12' Mat
- 01-0641 49600 8' x 16' Mat
- 01-0074 46502 8' x 20' Mat



**CANADIAN FLAG MATS**

- 92-0002 52305 9' x 12' Mat
- 92-0003 52306 8' x 20' Mat



**REVERSIBLE WORK + PLAY MATS**

**Personal Size Mats**

100% Polypropylene. Smaller version of our mats to keep from getting dirty when gardening, at the beach, working on your vehicle, reversible and easy to clean.

- 01-0638 48824 36" x 68" Vineyard Beige
- 01-0635 48823 36" x 68" Finish Line
- 01-0643 49601 36" x 68" Independence Day

**NEW**

- 01-1042 68841 Striped Mat 36"x 68" Blue/Brick/Bge/Grn
- 01-1045 68859 Swirl Mat 36"x 68" Brown/Beige
- 01-1054 68865 Patriotic Mat 36"x 68" Stars 'n Stripes
- 01-1190 68901 Diamond Mat 36"x 68" Turquoise/White

**End Strap Keeps the Work + Play Mat rolled up for storage.**  
(Vineyard mat shown)





### FOLDING 6-SPEED ELECTRIC BIKE

Cruise along in your electric bike with the 36V 250W rear drive, brushless motor. Pedal Assist System (PAS) function lets you pedal the bike to use less power. Includes a key lock and a built-in rechargeable battery (36V10AH Li-Ion battery with charger). LED display, 19mph (30kmh) maximum speed, 25mile (40km) maximum distance. Comfortable leather saddle seat with adjustable steel seat stem. Aluminum alloy frame with cable actuated V brakes. Aluminum alloy T-type handle bars. Hydraulic suspension. Steel forks, steel hubs. 20" aluminum alloy rims with 20" x 1.75" A/V tires. 6-speed Shimano derailleur. Some assembly required. Silver.

03-0372 82048 Electric Bike



### FOLDING 6-SPEED BIKE

Compact folding bike is a perfect fit for any RVer. Features an adjustable, leather saddle seat with steel seat stem. Aluminum alloy frame with cable actuated V brakes. Aluminum alloy handle bars. Steel forks, steel hubs. 20" aluminum alloy rims with 20" x 1.75" A/V tires. 6-speed Shimano derailleur. Some assembly required. Silver.

03-0357 82085 20" Pedal Bike



### OUTDOOR MAT CARRY BAG

- Durable, water-resistant black nylon material
- Extra internal compartment for accessories 13"H x 6.75"W x 2.75"D
- Secured with Velcro® strap
- Adjustable shoulder strap for easy carrying
- Room for multiple mats inside:
  - (1) mat of any size (8' x 20', 8' x 16', or 9' x 12');
  - (1) 8' x 16' or 8' x 20' mat PLUS (1) 9' x 12' mat;
  - (2) 9' x 12' mats.
- Bag Dimensions (inside dims): 14"H x 37.75"W x 7"D

01-0000 48829 Carry Bag



### PULL-DOWN WAND

STRETCH REDUCER! The Pull-Down Wand fits into the center pull strap for easy opening

01-0644 81264 Pull Down Wand



### HEAVY-DUTY AWNING TIE-DOWN

- Protects awning from wind and rain damage
- Fits awnings up to 25'
- Heavy duty 2" polypropylene webbing
- Comes with two heavy duty 15" steel stakes, 8" tension spring, 3' strap, and 38.5' strap.

01-0645 87049 Awning Tie-Down To 25'



### STEP STABILIZER

Does your RV rock when someone enters the door? RV Step Stabilizer provides stability and firmness. Features quick-release self-locking pin, and is fully adjustable from 5-1/4" to 12". Durable black powder-coated steel for long life.

04-0043 65264 Step Stabilizer

# PRODUCT INDEX

A/C Gaskets .....	94	LED Bulbs .....	83 - 84
A/C Seals .....	94	Lighting Plan-o-grams .....	87
Anode Rods .....	100	Manual Jacks.....	29
Awning Pull-Down Wand.....	118	Mesh Strainer .....	96
Ball Mounts .....	22 - 23	Multiple Tow Ball Mounts .....	23
Battery Boxes.....	78	Patio Mat Carrying Bag.....	118
Battery Straps .....	78	Patio Mats .....	115 - 116
Brake & Axle Parts .....	41 -54	Pedestal Table Bases.....	96
Brake Controls .....	37 - 40	Pintle Combo Kits.....	23
Brute Super Foot.....	30	Portable Grills .....	114
Bulbs .....	83 - 84	Portable Heaters .....	88
Bumper Plugs .....	104	Portable Kitchen .....	114
Canadian Flag Mats .....	117	Portable Waste Transporters - 2-Wheel.....	108
Caps & Plugs .....	99	Portable Waste Transporters - 4-Wheel.....	107
Carriers & Cargo Management.....	56	Power Cord Adapters.....	90 -92
Chairs - Big Dog Chairs.....	113	Power Cords.....	89
Chairs - Compact Director's Chair.....	112	Receiver Hitches.....	59 - 72
Chairs - Director's Chair .....	113	Recliner Carrying Bag .....	112
Chairs - El Capitan Chair.....	113	Recliners .....	111 - 112
Chairs - Rocking Chairs.....	113	Refrigerator Vents .....	96
Chairs - Serving Tray.....	112	Replacement Laces .....	112
Check Valves.....	99	Replacement Vent Lids.....	94
Closet Flange Seal.....	104	RV Starter Kits.....	100
Collapsible Utility Container.....	114	Scissor Jacks.....	30
Couplers & Locks.....	26	Sewer & Drain Fittings.....	104
Drain Hoses .....	103	Sewer Fitting .....	104
Dust Caps & Grease Seals .....	55	Sewer Hose Kit.....	103
Electric Tongue Jacks.....	29, 74	Sewer Hose Kit.....	103
Fan Blades .....	94	Sewer Rings .....	104
Fifth Wheel Base Rail Kit.....	7 - 8	Stabilizers & Jacks .....	30
Fifth Wheel Hitch Parts.....	9 - 14	Starter Kit Hose.....	96
Fifth Wheel Hitches & Adapters (OEM) .....	3 - 4	Step Stabilizer.....	118
Fifth Wheel Hitches & Kits.....	5 - 6	Sway Controls.....	16
Fixture Lighting .....	85 - 86	Switch Hitch .....	24
Fluorescent Lights.....	86	Termination Caps.....	104
Folding Bicycles .....	118	Toilet Tissue .....	104
Folding Cooler.....	114	Tow Bar .....	27
Generator Display.....	79	Tow Lights.....	27
Generator Parallel Kit .....	77	Trailer Hitch Balls .....	21
Generator Replacement Parts.....	80	Vent Covers .....	94
Gooseneck Platforms & Accessories .....	28	Waste Transporter Accessory Kit.....	108
Heavy-Duty Awning Tie-Down.....	118	Waste Transporter Display.....	106
Hitch Box Adapters & Accessories .....	27	Waste Transporter Replacement Parts.....	107 - 108
Hitch Displays.....	57 - 58	Waste Valves .....	104
Hitch Shanks.....	25	Water Fills & Check Valves .....	100
Hose Coupler.....	104	Water Hoses.....	96
Hose Saver.....	99	Water Pump (universal).....	96
Insect Screens .....	95	Water Regulator.....	99
Inverter Generator PH2200i .....	77	Weight Distribution & Sway Control.....	15 - 20
Inverter Generator PH2400Pi .....	77	Wheel Chocks.....	30
Inverter Generator PH3300i.....	78	Wiring & Accessories .....	31 - 36
		Work & Play Mats .....	117

# 2018

## JANUARY

<u>M</u>	<u>T</u>	<u>W</u>	<u>T</u>	<u>F</u>	<u>S</u>	<u>S</u>
1	2	3	4	5	6	7
8	9	10	11	12	13	14
15	16	17	18	19	20	21
22	23	24	25	26	27	28
29	30	31				

## FEBRUARY

<u>M</u>	<u>T</u>	<u>W</u>	<u>T</u>	<u>F</u>	<u>S</u>	<u>S</u>
			1	2	3	4
5	6	7	8	9	10	11
12	13	14	15	16	17	18
19	20	21	22	23	24	25
26	27	28				

## MARCH

<u>M</u>	<u>T</u>	<u>W</u>	<u>T</u>	<u>F</u>	<u>S</u>	<u>S</u>
			1	2	3	4
5	6	7	8	9	10	11
12	13	14	15	16	17	18
19	20	21	22	23	24	25
26	27	28	29	30	31	

## APRIL

<u>M</u>	<u>T</u>	<u>W</u>	<u>T</u>	<u>F</u>	<u>S</u>	<u>S</u>
						1
2	3	4	5	6	7	8
9	10	11	12	13	14	15
16	17	18	19	20	21	22
<sup>23</sup> / <sub>30</sub>	24	25	26	27	28	29

## MAY

<u>M</u>	<u>T</u>	<u>W</u>	<u>T</u>	<u>F</u>	<u>S</u>	<u>S</u>
	1	2	3	4	5	6
7	8	9	10	11	12	13
14	15	16	17	18	19	20
21	22	23	24	25	26	27
28	29	30	31			

## JUNE

<u>M</u>	<u>T</u>	<u>W</u>	<u>T</u>	<u>F</u>	<u>S</u>	<u>S</u>
				1	2	3
4	5	6	7	8	9	10
11	12	13	14	15	16	17
18	19	20	21	22	23	24
25	26	27	28	29	30	

## JULY

<u>M</u>	<u>T</u>	<u>W</u>	<u>T</u>	<u>F</u>	<u>S</u>	<u>S</u>
						1
2	3	4	5	6	7	8
9	10	11	12	13	14	15
16	17	18	19	20	21	22
<sup>23</sup> / <sub>30</sub>	<sup>24</sup> / <sub>31</sub>	25	26	27	28	29

## AUGUST

<u>M</u>	<u>T</u>	<u>W</u>	<u>T</u>	<u>F</u>	<u>S</u>	<u>S</u>
	1	2	3	4	5	
6	7	8	9	10	11	12
13	14	15	16	17	18	19
20	21	22	23	24	25	26
27	28	29	30	31		

## SEPTEMBER

<u>M</u>	<u>T</u>	<u>W</u>	<u>T</u>	<u>F</u>	<u>S</u>	<u>S</u>
					1	2
3	4	5	6	7	8	9
10	11	12	13	14	15	16
17	18	19	20	21	22	23
24	25	26	27	28	29	30

## OCTOBER

<u>M</u>	<u>T</u>	<u>W</u>	<u>T</u>	<u>F</u>	<u>S</u>	<u>S</u>
1	2	3	4	5	6	7
8	9	10	11	12	13	14
15	16	17	18	19	20	21
22	23	24	25	26	27	28
29	30	31				

## NOVEMBER

<u>M</u>	<u>T</u>	<u>W</u>	<u>T</u>	<u>F</u>	<u>S</u>	<u>S</u>
			1	2	3	4
5	6	7	8	9	10	11
12	13	14	15	16	17	18
19	20	21	22	23	24	25
26	27	28	29	30		

## DECEMBER

<u>M</u>	<u>T</u>	<u>W</u>	<u>T</u>	<u>F</u>	<u>S</u>	<u>S</u>
					1	2
3	4	5	6	7	8	9
10	11	12	13	14	15	16
17	18	19	20	21	22	23
<sup>24</sup> / <sub>31</sub>	25	26	27	28	29	30

*Everything you need, when you need it.*



**Exclusively  
Distributed by**



US Sales

**1.800.521.9999**

Español

**1.800.521.9910**

International Sales

**570.603.2005**

Canadian Sales

**1.800.257.7190**

New Business Development

**1.800.257.7190**

Ext. **6235**

18RVPLCAT1



880268153720

2018 RVPL Catalog. Copyright ©2018. All rights reserved. All text, graphics, pictures, logos, and the selection and arrangement thereof is the exclusive property of the Publisher, or its contents supplier. No portion of this catalog, including images, may be copied or reproduced in any form without the prior written consent of the Publisher. Not responsible for typographical errors.