

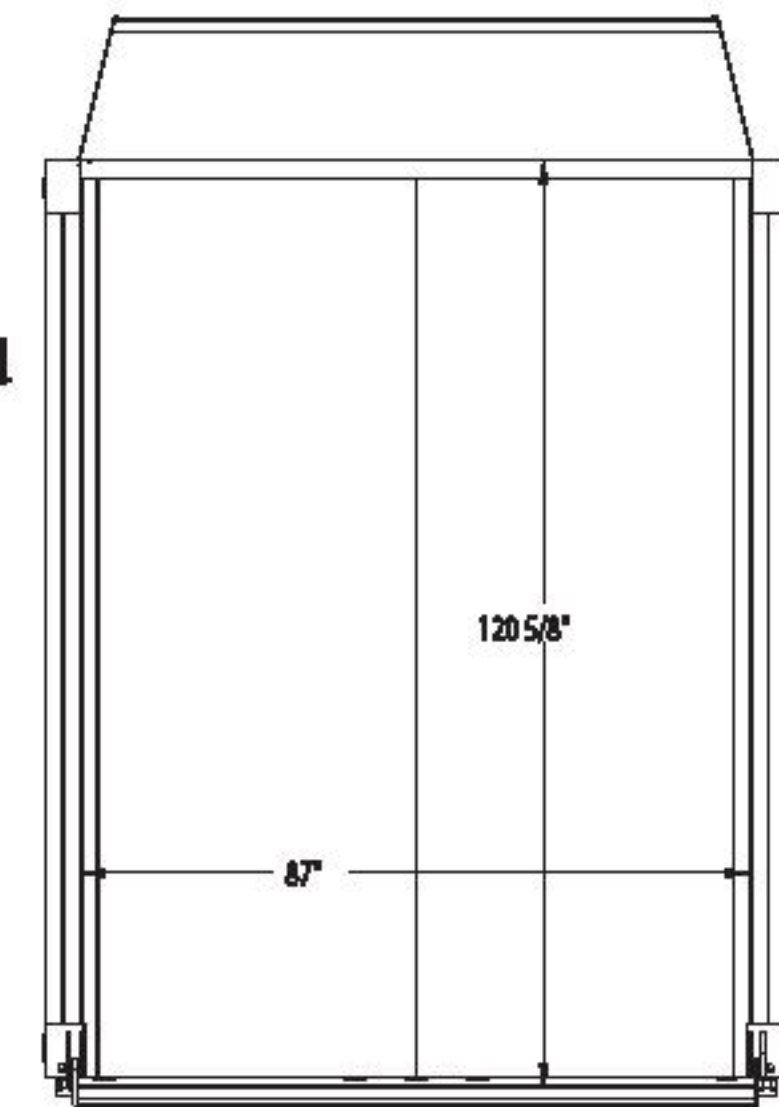


## 3-4 CUBIC YARD DUMP BODY & HOIST

Recommended: 14,000 - 19,000 GVW      Approx: 2,250 lbs.

### BODY:

- 11'6" Long x 86" Wide Inside x 14" Sides x 20" Tail Gate x 36" Bulkhead
- (2) Corrugations
- 10 Gauge Hi-Tensile Throughout
- 3" Cross Bars or 15" Centers x 5" Channel Longs
- 4 - Flange Boxed Top
- Rail Sloped Running Boards
- Beveled Floor Corners at Sides and Front
- Double Acting Tail Gate - 2 Panel ( Manual Trip Lever)
- 1/4 Size Cab Shield, Deluxe Light Package with Oval Stop & Turn Lights
- Body Painted Black or White

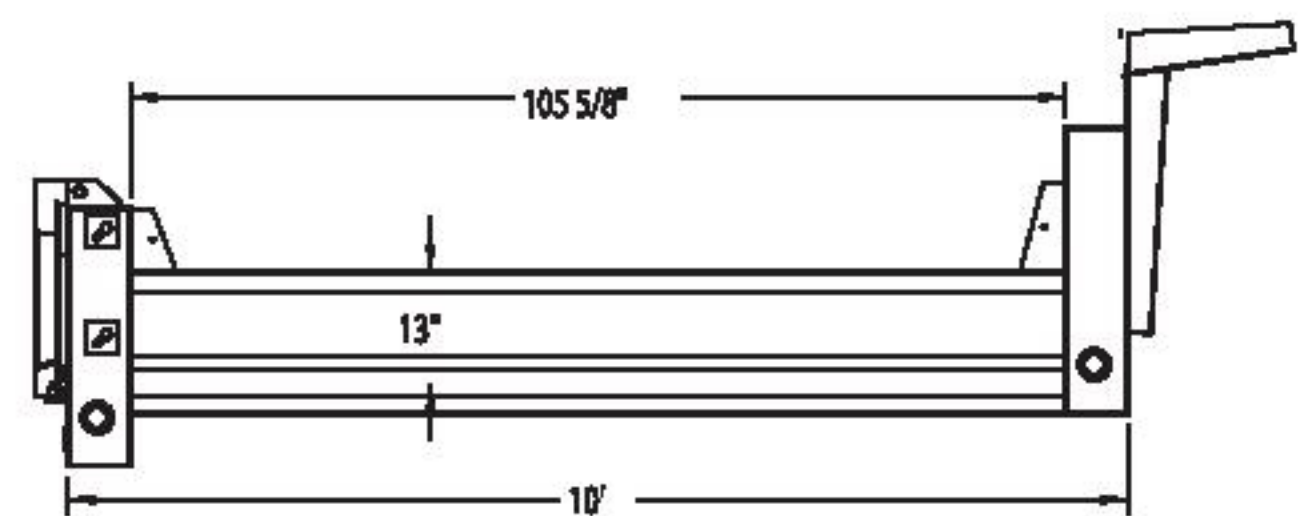
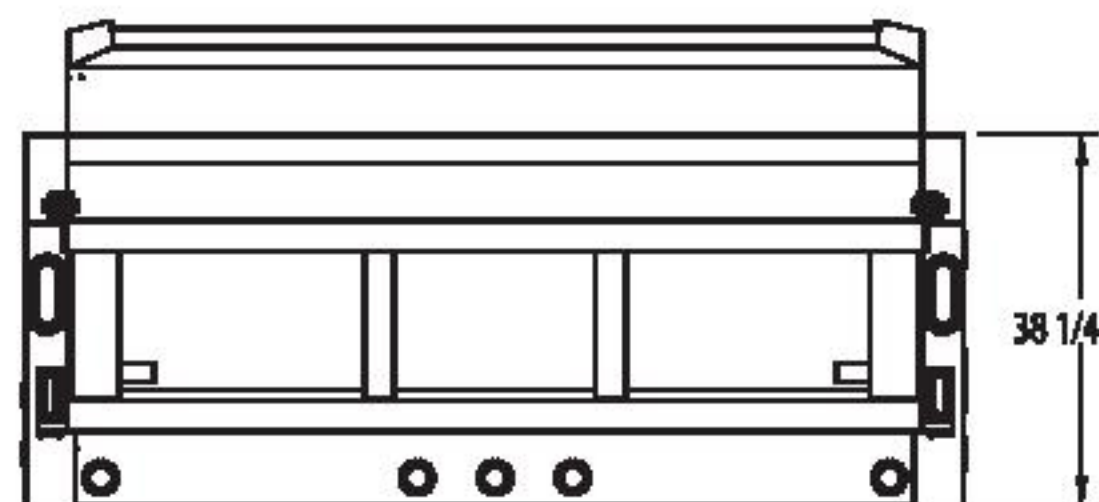
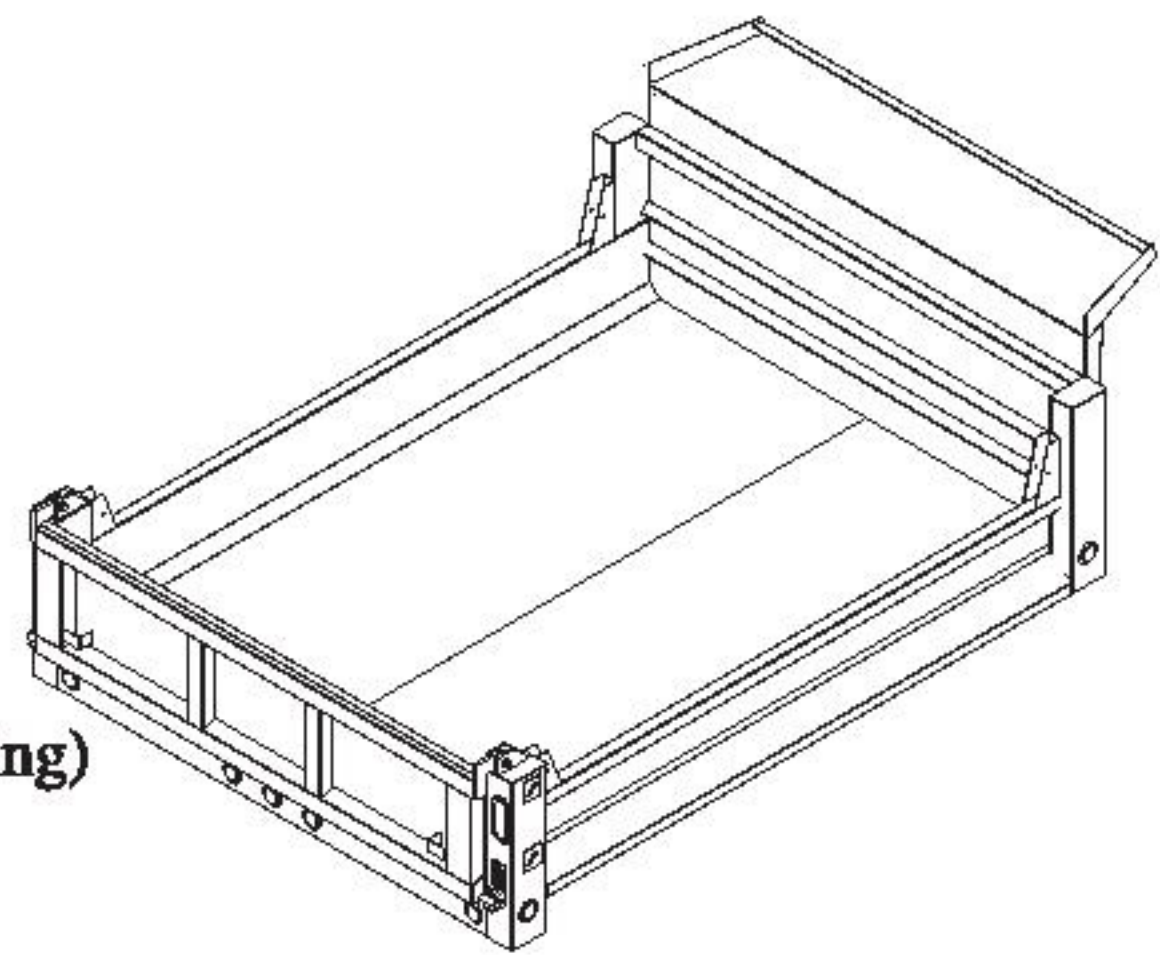


### HOIST:

- Rugby HR 550 Elect Double-Acting - 12" Overhang
- Class C/40, 12.1 Ton Capacity 12" Mounting Height
- Above Equipment Install on 84" CA (Rear Fuel Tank)
- Mud Flaps, Back Up Alarm, Weight Slip

### OPTIONS:

- Fold Down Sides
- Ditch Gates in Center of Tailgate
- Spreader Apron
- 3/16" Floor
- PTO Option 9 (Ford or GM/Allison - Must have PTO Opening)
- Receiver Tube Hitch & Plug
- BH82000 Combo Hitch & Plug
- Electric Backup Alarm
- Toolbox



NOTE: 13" DIMENSION IS FROM FLOOR TO TOP OF SIDE RAIL



## 5 - 6 CUBIC YARD DUMP BODY & HOIST

Recommended: 26,000 GVW      Approx. 3,400 lbs.

### BODY:

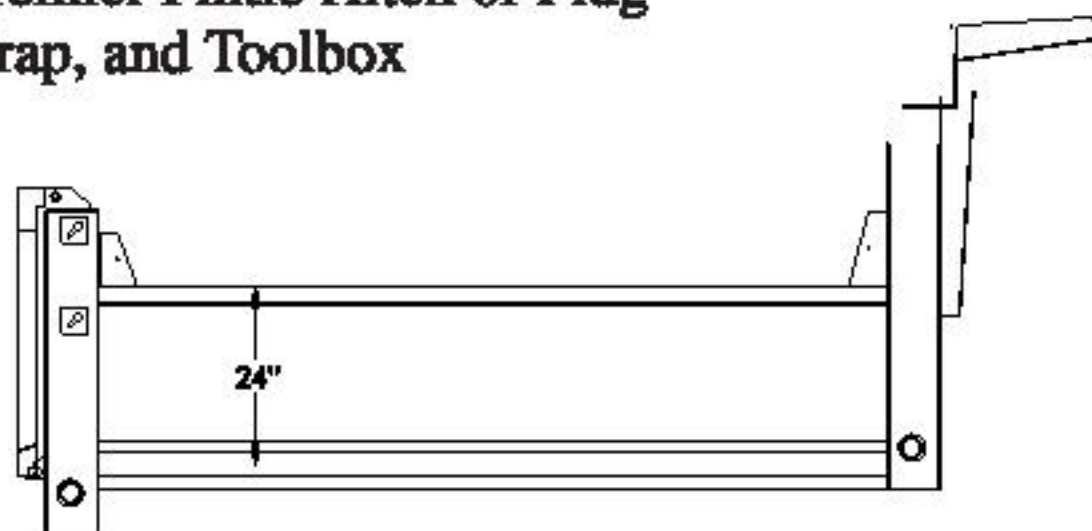
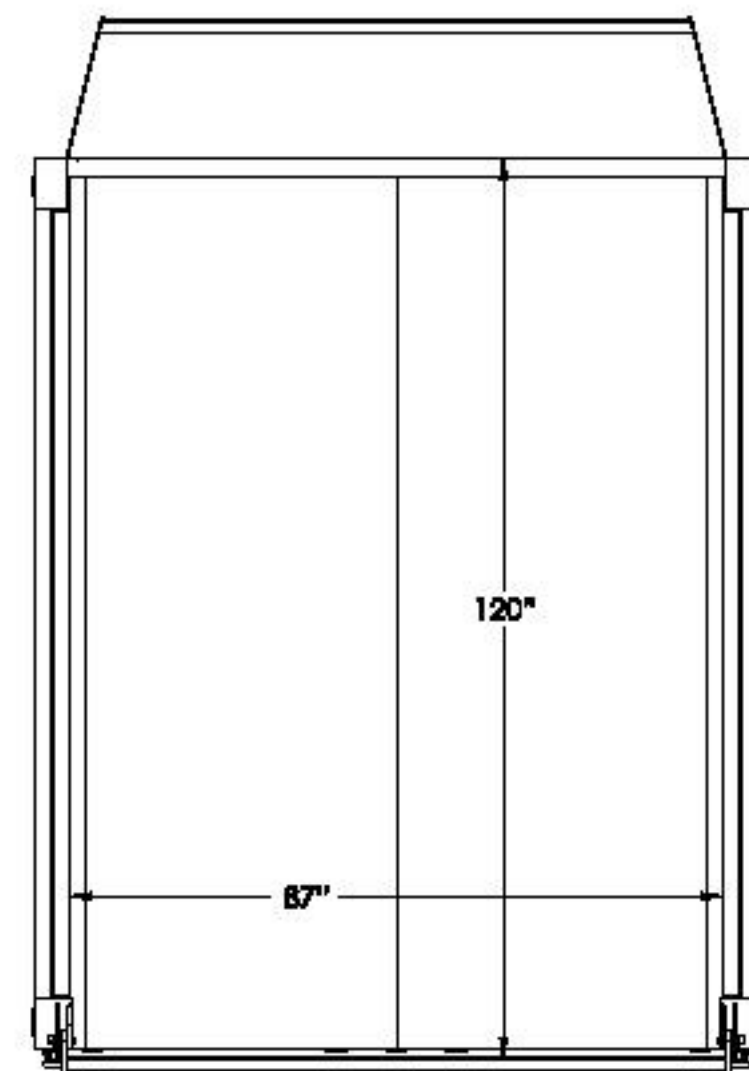
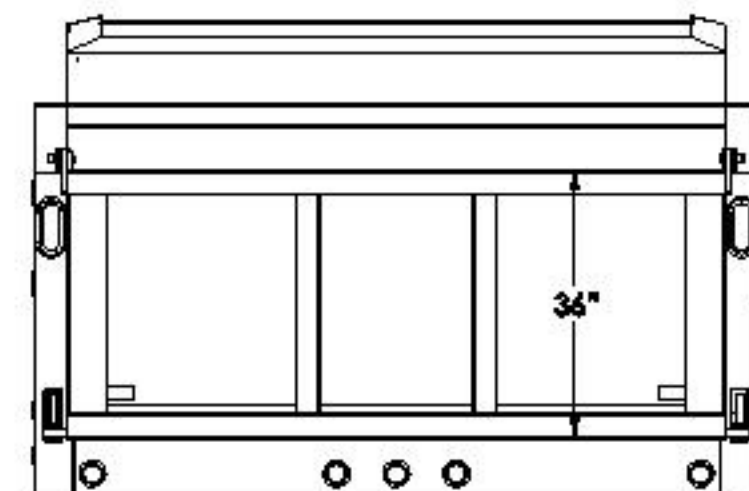
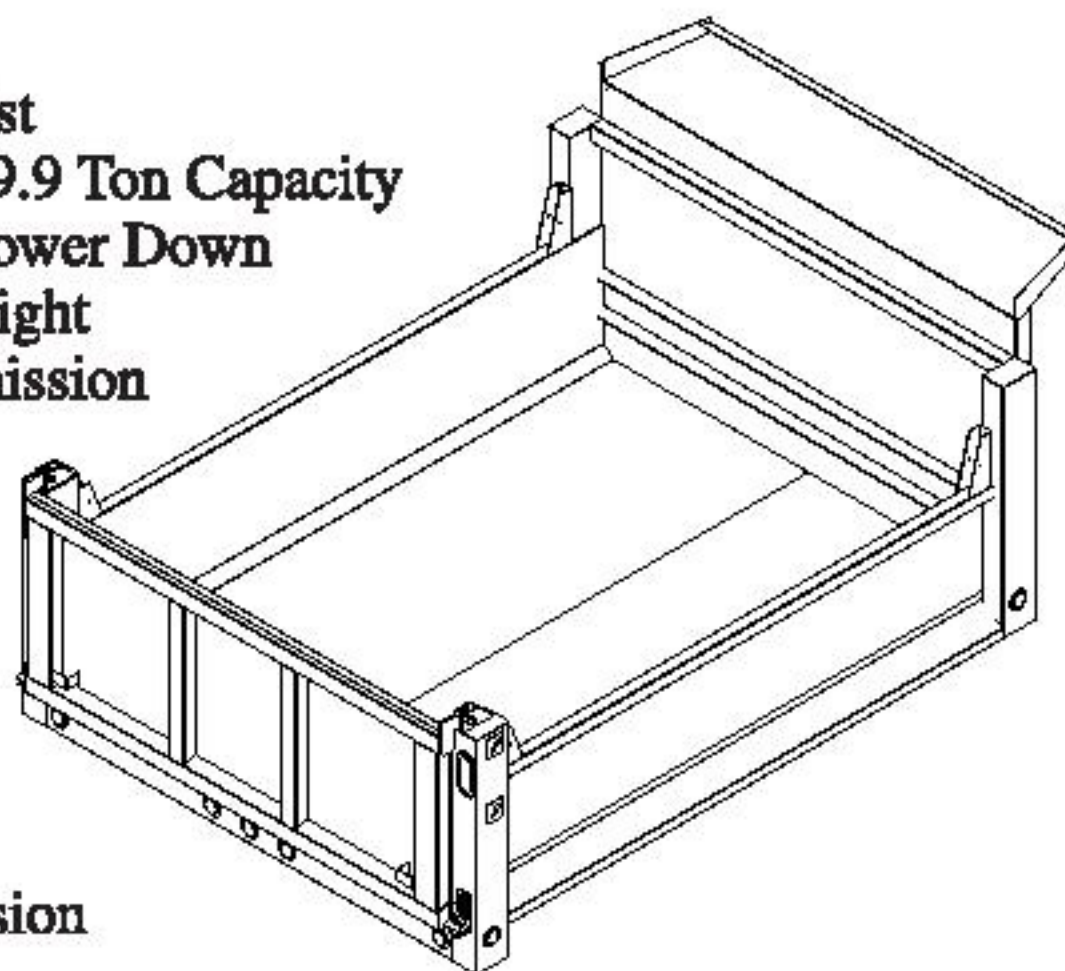
- 10' Long x 86" Wide Inside x 24" Sides x 30" Tail Gate x 36" Bulkhead
- 10 Gauge Hi-Tensile Steel Sides and Ends
- 3/16" Hi-Tensile Steel Floor with Beveled Side Corners
- Sloped Running Boards
- 6" Channel Longs x 3" Channel Cross Bars on 15" Centers
- Double Acting Tail Gate (Manual Trip Lever), 6-Panel
- 1/4 Cab Shield, Full Depth Rear Corner Post,
- 4-Flange Boxed Top Rail, Double
- Wall Sides with Center Corrugation, Spreader Apron,
- Deluxe Light Package with Oval Stop & Turn Lights in Rear Corner Post,
- Recessed Side Clearance Lights, and Set of Mud Flaps
- Body Painted Black or White

### HOIST:

- RC-650 Crysteel Roller Combo Hoist
- Full Sub-Frame, Class 50#, Rated 19.9 Ton Capacity
- Direct Mount Pump, Power Up & Power Down
- Body Prop, Body Raised Warning Light
- Cable Shift PTO for Manual Transmission
- Cab to Axle: 84"

### OPTIONS:

- Ditch Gate in Tailgate
- 3/16" Hi-Tensile Tailgate
- Air Operated Tailgate Locks
- Air Shift PTO
- Hot Shift PTO for Allison Transmission
- 580 Premier Pintle Hitch or Plug
- Pull Trap, and Toolbox





## 12' CHIPPER BODY & HOIST (84 C.A.)

12' Long Chipper Body Equipped with 96" x 78" High Inside, 10 Gauge Floor, 12 Gauge Sides, 48" High Rear Barn Doors, LED Light Package, Mud Flaps, Rugby HR-550 Electric Hydraulic Hoist, Class 4 Dump Hitch, Trailer Plug, Back Up Alarm, and a 48" x 18" x 18" Underbody Toolbox (shown in photos).

Standard 12' Chipper Body

### BODY:

- 12' Long x 88" Wide Inside x 78" High Inside
- 30" Swing Out Rear Doors with Cam Locks
- 10 Gauge Hi-Tensile Floor with Beveled Corners, Sides & Front
- 12 Gauge Sides with 2 Rows Corrugations
- 4 Vertical Post Full Depth Rear Corner Post & Rear Skirt
- Corrugated Front Bulkhead with Tube Stiffner
- 3" Channel Cross Bars & 5" Channel Longs – 15' CENTERS
- Full Roof with Beveled Top Corners, Sides & Front
- Body Painted White Outside, Gray Inside
- LED Deluxe Light Package
- Rubber Mounted Stop & Turn Lights in Rear Corner Posts & Side Clearance Lights

### HOIST:

- Rugby HR-550 Elect Double Acting – Electric Power
- 11.7 Ton Capacity 18" Overhang, N.T.E.A. Class 40#
- Body Prop, Body Raised Light

### OPTIONS:

- PTO Option (Ford or GM / Allison)
- Receiver Tube Hitch & Elect Plug – No Insert
- BH8200 Combo Hitch & Plug
- Electric Backup Alarm
- Two Part Coal Tar Epoxy Interior Coating
- Toolbox





## 14' CHIPPER BODY & HOIST (120 C.A.)

14' Long x 96" Wide x 72" High, Hoist – 655 LB, Back Up Alarm, Hot Shift PTO, Rotating Beacons, Directional Arrow Stick, LED Stop Turn Tail Lights, LED Clearance Lights, Rear Step, Custom Through Box with Center Shelf, Hitch with D-Rings (Non-Air), and 6 Pin Plug. (shown in photos)

### Standard 14' Chipper Body

#### BODY:

- 14' Long x 88" Wide Inside x 84" High Inside
- 30" Swing Out Rear Doors with Cam Locks
- 10 Gauge Hi-Tensile Floor with Beveled Corners, Sides & Front
- 12 Gauge Sides with 2 Rows Corrugations
- 5 Vertical Posts - Full Depth Rear Corner Post & Rear Skirt
- Corrugated Front Bulkhead with Tube Stiffener
- 3" Channel Cross Bars & 6" Channel Longs
- Full Roof with Beveled Top Corners, Sides & Front
- Body Painted White Outside, Inside Epoxy Hardened Gray
- LED Deluxe Light Package – Rubber Mounted Stop & Turn Lights in Rear Corner Posts & Side Clearance Lights
- Rear Curb Side Stirrup Step

#### HOIST:

- Rugby LR-26 PTO Drive Hoist
- 12.8 Ton Capacity, Body Prop, Warning Light
- Cable PTO for Manual Transmission
- See Option 1 for Automatic

#### OPTIONS:

- PTO Option (Hot Shift / Allison)
- Receiver Tube Hitch & Elect Plug – No Insert
- BH8200 Combo Hitch & Plug
- Electric Backup Alarm
- Two Part Coal Tar Epoxy Interior Coating
- Toolbox





## FLATBED DUMPS

Available 10', 12', 14' and 16' Long

### CHOICE OF DECKING MATERIAL:

- 7/8" Aluminum Decking
- 7/8" Wood Decking
- 3/16" Smooth Steel
- 3/16" Diamond Plate

Cross Member on 12" Centers  
 Rope hooks on Each Cross Member  
 Head Board 10 Gauge 12" x 24" Window  
 ICC Bumper

### HOIST:

Available Either Electric or Hydraulic  
 Need the Length of Bed, the C.A.

### SIDE RACKS:

- A.J. Baer Stainless Stakes with 3/4" Wood Material
- Solid or with a Gap
- 12", 15", 18", 24", 36", 42" or 48" Tall
- 1/2" Plywood Side Racks with Capping, Painted White or Black, 12", 15", 18", 24", 36", 42" or 48" Tall
- Removable Steel A.J. Baer Stakes with 18 Gauge Steel Slats Corrugated Painted White or Black
- 12", 15", 18", 24", 36", 42" or 48" Tall
- Non Removable Steel Side Racks 12" or 24" Tall, 10 or 14 Gauge

### BARN DOORS:

Door Gates with Western Gate Latches for 12" or 24" Tall Doors

Door Gates with or without Optional Cross Bars 8" Above Door.

36", 48" or 60" Tall Doors

### BINDER:

- Combo binder
- Recessed Combo Binder
- Sliding binder
- 3/4 Rope Hooks

### DUMP BED RECEIVER HITCHES:

- 1,000# Tongue Weight -
- 10,000 Pull Weight - Class 4
- 1,800# Tongue Weight -
- 18,000 Pull Weight - Class 5

### HITCHES FOR HEAVIER DUTY TOWING

Recommended for 550 or Lower  
 PH 15 - Pintle hitch with 3/8" Buck Plate or A-Frame

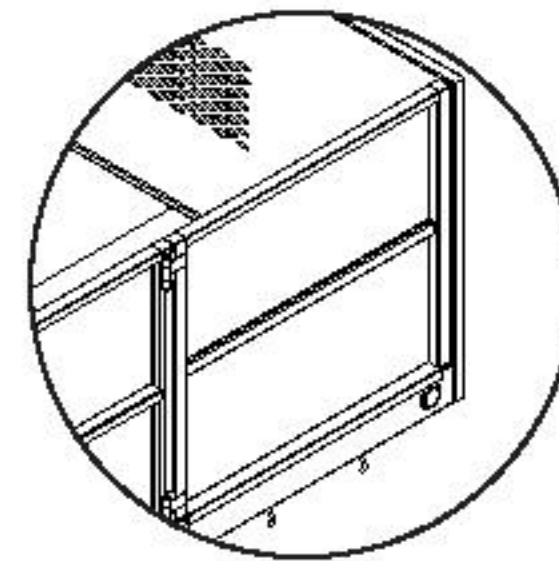
Recommended for 650 and Above  
 580J Premier H.D. Pintle 3/4" with Buck Plate



## GARDENER/LANDSCAPE PACKAGE

8 x 12 Flatbed Dump with:

- 10ga Smooth Steel Floor
- Cross Member on 16" Centers
- Rope hooks on Each Cross Member
- Perforated 10 Gauge Head Board with 12" x 24" Window



Single Acting or Optional  
Dual Acting Electric Dump Assembly

Rear Barn Doors

*Side Barn Doors Optional*

42' Solid Steel Side Racks that are Hinged to Fold Out at 21"  
Racks are to be in 5' Sections - One in Front - on  
Driveside and Curbside

A Class IV Receiver Hitch - Dump body

A 7/4 RV Plug

Cargo Area

Covered with Polyurea  
for added Rust & Corrosion/  
Protection

