

**GMC**

**CANYON**

**WE ARE PROFESSIONAL GRADE**





**GMC CANYON.** Efficient, comfortable and powerful: that's how Canyon is engineered. It's efficient in its use of space, refined with a quiet, comfortable cabin and exceedingly capable with impressive payload<sup>1</sup> and trailering.<sup>2</sup> Bringing all of this together in one premium package is no small achievement. All of this makes Canyon an entirely new take on trucks. Explore the new Canyon at [GM.CA](http://GM.CA).

<sup>1</sup>These maximum payload ratings are intended for comparison purposes only. Before you buy a vehicle or use it to haul people or cargo, carefully review the vehicle loading section of the Owner's Manual and check the carrying capacity of your specific vehicle on the label on the inside of the driver's door jamb. <sup>2</sup>Before you buy a vehicle or use it for trailering, carefully review the trailering section of the Owner's Manual. The weight of passengers, cargo and options or accessories may reduce the amount you can tow.



CANYON EXTENDED CAB SLE ALL-TERRAIN IN CYBER GREY METALLIC (left)  
CANYON CREW CAB SLT IN BRONZE ALLOY METALLIC (right) shown with available equipment.

MODELS | 2

TECHNOLOGY | 12

PERFORMANCE | 16

SECURITY | 16

SELECTION | 20



BIKE RACK, ASSIST STEPS AND 18" CHROME WHEELS  
are available dealer-installed accessories.



## THE PEAK.

---

To complement its well-appointed cabin, Canyon displays distinctive halogen projector-beam headlamps and signature LED lighting as well as purposefully designed bodylines sculpted to help deliver efficiency and create a quiet interior. To personalize your Canyon to fit your life, a long list of accessories is available to help enhance its function and appearance. Choose Canyon SLT, and both Crew and Extended Cab models feature these additional appointments.

**18" POLISHED CAST-ALUMINUM WHEELS.**

**HEATED OUTSIDE REARVIEW MIRRORS.**

**CHROME DOOR HANDLES AND  
MIRROR CAPS.**

**PROFESSIONAL GRADE ACCESSORIES;  
SEE PAGE 21.**





## WHAT'S MOST INCREDIBLE IS THAT THIS IS A TRUCK.

---

Trucks are built to be rough and tough. But there's no rule that says they have to sound, feel and look that way on the inside. In Canyon SLT models, you'll find an exceptionally quiet interior; supportive, comfortably sculpted dual-firmness foam seats; premium materials such as aluminum trim, soft-wrapped instrument panel and hand-stitched leather-wrapped steering wheel; and surprising roominess. The list of premium features on SLT models includes the following.

LEATHER-APPOINTED HEATED FRONT SEATS.

POWER DRIVER AND PASSENGER SEATS WITH POWER LUMBAR.

REMOTE VEHICLE STARTER SYSTEM.

AUTOMATIC CLIMATE CONTROL.



STYLISH AND FUNCTIONAL ASSIST STEPS are available dealer-installed accessories.

## CARRIES A LOT. INCLUDING FEATURES.

Before you even load it up, Canyon SLE packs a lot. It contains a long list of standard features in one purposefully premium package. Those design elements include a chrome grille surround and 17" aluminum wheels, as well as body-colour door handles and mirror caps. It also provides functional equipment such as power mirrors and a driver-side spotter mirror. Like its cargo capacity, the list of Canyon SLE features is robust.

ICONIC GMC CHROME GRILLE.

203 MM (8") DIAGONAL COLOUR TOUCH-SCREEN AUDIO SYSTEM WITH INTELLILINK.\*

SIX-SPOKE, 17" ALUMINUM WHEELS.

SOFT-TOUCH INSTRUMENT PANEL WITH CONTRASTING STITCHING.

\*Full functionality requires compatible Bluetooth® and smartphone, and USB connectivity for some devices. Visit [intellilink.gmc.gm.ca](http://intellilink.gmc.gm.ca) for more details.





At GMC, not only must materials look premium, they should be constructed of authentic elements that feel good and provide durability. We made sure that Canyon SLE surrounds you with wear-resistant materials that are easy to clean. You'll also find unexpected storage areas throughout the truck.



ROCKER STEP OFF-ROAD ASSIST STEPS are available dealer-installed accessories.

## A TRUCK FOR ALL SURFACES.

---

Living life to its fullest means not letting unpaved terrain stop you. That's why Canyon with its available All-Terrain Package gives you the ability to make your own path. Add a unique interior and you get a truck designed and engineered to meet your higher standard of capability.

**AUTOMATIC LOCKING REAR DIFFERENTIAL.**

**TRANSFER CASE SHIELD ON 4x4 MODELS.**

**HILL DESCENT CONTROL.**

**Z71 OFF-ROAD SUSPENSION.**



**EXCLUSIVE ALL-TERRAIN CABIN DESIGN** You'll find carbon-fibre-inspired accents, unique All-Terrain seating with All-Terrain logo and contrasting red stitching, special dark aluminum IP material and other All-Terrain appointments.

**Z71 OFF-ROAD SUSPENSION** The legendary Z71 suspension allows you to go beyond mere sightseeing to truly explore the great outdoors.

**AUTOMATIC LOCKING REAR DIFFERENTIAL** This available feature directs power to the wheel with the most traction on loose gravel or slippery surfaces.

**TRANSFER CASE SHIELD** Venturing off-pavement means encountering just about anything. The 4x4 models have the added protection to help safeguard vital components under the truck.

**ALL-TERRAIN WHEELS** Available Dark Argent metallic cast aluminum wheels with painted accents are shown at left.

**BODY-COLOUR ACCENTS** Front and rear bumpers, as well as the grille surround, match the vehicle body colour.

**HILL DESCENT CONTROL** This available feature uses anti-lock braking for a smooth and controlled hill descent in rough terrain without you having to touch the brake pedal.

THE NEWEST MEMBER OF THE GMC TRUCK PORTFOLIO.



CANYON CREW CAB SLT IN BRONZE  
ALLOY METALLIC (centre)

SIERRA 1500 ALL-TERRAIN CREW CAB  
SLT IN IRIDIUM METALLIC (right)



All vehicles shown with available equipment.

## STAY IN TOUCH, INFORMED AND ENTERTAINED.

Your always-connected world shouldn't stop because you're on the go. In the GMC Canyon, technologies such as available OnStar with 4G LTE<sup>1</sup> with a built-in Wi-Fi<sup>®</sup> hotspot allow you to stay in touch on the road.



**ONSTAR 4G LTE WI-FI<sup>1</sup>** Available OnStar with 4G LTE offers a built-in Wi-Fi hotspot (with 3-month/3GB trial, whichever comes first) for a speedy Internet connection for Web-enabled devices. It's reliably fast, easy to use and handles up to seven devices.<sup>2</sup>



**PERSONALIZED ENTERTAINMENT AND NAVIGATION** Canyon's available 203 mm (8") diagonal LCD centre touch-screen is the perfect display for the available Colour Touch Sound System with IntelliLink.<sup>3</sup> The system is also available with navigation.<sup>4</sup> The screen provides instant information, dynamic response and predictive functionality. Both feature enhanced language voice recognition as well.

<sup>1</sup>Visit [onstar.ca](http://onstar.ca) for coverage maps, details and system limitations. Services and connectivity may vary by model and conditions. OnStar with 4G LTE connectivity is available on select vehicle models and in select markets. Customers will be able to access OnStar services only if they accept the OnStar User Terms and Privacy Statement (including software terms). OnStar acts as a link to existing emergency service providers. After the trial period (if applicable), an active OnStar service plan is required. <sup>2</sup>Devices must be WPA2 compliant with active OnStar service and data plan. Wi-Fi devices manufactured prior to 2006 may not be compatible. Please consult your device manufacturer for information regarding the WPA2 security protocol and Wi-Fi device compatibility. Vehicle must be started or in accessory mode to access Wi-Fi. Visit [onstar.ca](http://onstar.ca) for system details and limitations. <sup>3</sup>Full functionality requires compatible Bluetooth and smartphone, and USB connectivity for some devices. Visit [intellilink.gmc.gm.ca](http://intellilink.gmc.gm.ca) for more details. <sup>4</sup>At time of printing, detailed map coverage is available for most major urban areas of the United States and for certain metropolitan areas of Canada (Vancouver, Calgary, Edmonton, Winnipeg, Windsor, London, Toronto, Ottawa, Montreal, Quebec City and Halifax). Coverage is significantly limited outside these areas. <sup>5</sup>Not compatible with all devices.



**REAR VISION CAMERA** Standard on all models, its dynamic grid lines provide the perfect guide when backing up or hitching a trailer. Shown with the available 203 mm (8") diagonal Colour Touch Radio.

**POWER SUPPLY** Depending on the model and options you choose, you will have a convenient power supply: up to four USB ports<sup>5</sup> and two auxiliary 12-volt power outlets keep first- and second-row passengers connected and powered up.



**CENTRE PANEL INSTRUMENTATION** Access to controls and power sources is centrally located. This array of switches puts Canyon's important functions at your fingertips.

**SAFETY ALERT TECHNOLOGIES** Canyon offers an available Driver Alert Package, including Forward Collision Alert and Lane Departure Warning.

**BOSE® PREMIUM SOUND** The optional Bose Premium audio system is engineered to get you closer to the realism of a live performance with seven speakers to make sure you hear every note.



**DRIVER INFORMATION CENTRE** To make information easy to view at a glance, GMC designers created an available 107 mm (4.2") diagonal multicolour Driver Information Centre (DIC). The DIC's menu can be navigated with steering-wheel controls.

**AUTOMATIC CLIMATE CONTROL** Canyon offers an available heating and air-conditioning system that allows you to simply set a desired temperature that is maintained automatically.



## WE'VE ENGINEERED A NOVEL PARTNERSHIP: POWER AND EFFICIENCY.

---

When it comes to moving Canyon down the road or trail, both of its engine options boast efficiency without sacrificing power, torque or a smooth ride. The 3.6L achieves remarkable efficiency and the 2.5L I-4 provides unexpected horsepower and torque for an engine its size. Learn more about Canyon's efficient technologies and specifications at [GM.CA](http://GM.CA).

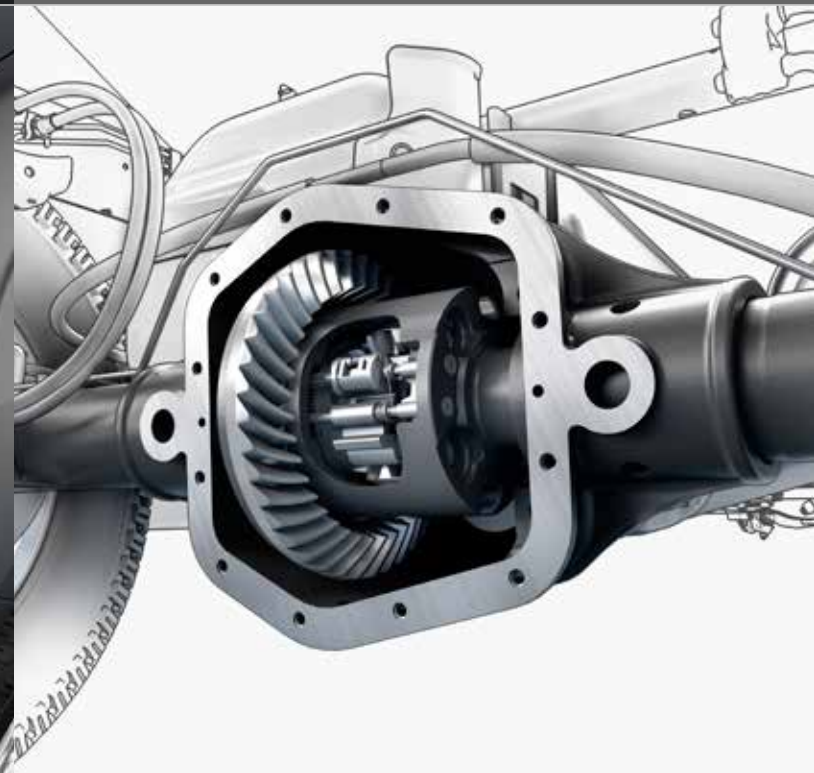
### ENGINES

**3.6L V6 VVT** Engineered for responsiveness at all speeds, the 3.6L is the ideal blend of horsepower, torque and efficiency. With a direct-injected 24-valve, dual-overhead-cam design, it accelerates smoothly and quickly for confident highway passing and merging.

**2.5L I-4 ENGINE** Canyon benefits from the next generation of large-displacement four-cylinder engines engineered to generate surprising four-cylinder horsepower and torque to produce greater capability. The engine is also tuned to deliver more torque at a lower rpm, for strong acceleration.

**DIRECT INJECTION (DI)** Both engines benefit from DI technology. By injecting fuel directly into the combustion chamber at pressures up to 20,684 kPa (3000 psi), fast and efficient combustion is achieved. DI enables higher torque and power and improved vehicle performance while improving fuel efficiency.





**ACTIVE GRILLE SHUTTERS** Grille shutters automatically close to maximize aerodynamic efficiency when conditions are right. The shutters are designed to remain open in situations where max airflow is needed.

**VARIABLE VALVE TIMING (VVT)** For responsiveness in low-speed city driving and bold power for open-road passing or trailering, Canyon engines feature continuously VVT. It monitors and adjusts valve open and close points for near-peak levels of torque across the entire range of engine speeds.

**ELECTRONIC THROTTLE CONTROL** Delivers outstanding response and allows tailoring of the throttle progression to the requirements of the vehicle and your driving needs. A sensor measures pedal position, signalling the throttle to open at the precise rate and angle.

**JET-SPRAY PISTON COOLING** Oil is sprayed under pistons and on cylinder walls to maximize power and durability. It reduces piston temperature and knock sensitivity and allows the engine to maintain maximum torque and power while also reducing engine noise.

## RIDE AND HANDLING

**HYDRAULIC ENGINE MOUNTS** These mounts reduce engine vibrations for a smoother, quieter ride.

**CORROSION-RESISTANT DURALIFE BRAKE ROTORS** Engineers invented a patented, GM-exclusive corrosion protection process designed to help double rotor life—which, of course, reduces maintenance costs—by hardening rotor surfaces. It protects against rust to help prevent steering-wheel shudder during braking.

**AUTOMATIC LOCKING REAR DIFFERENTIAL** Canyon is the first in its class<sup>1</sup> to offer this available feature that can lock both rear wheels so they can gain traction on loose gravel or slippery surfaces.

**AUTOTRAC 4X4 TRANSFER CASE** This available 4x4 system is ideal when traction conditions are variable. When driving in AUTO, the front axle is engaged and power is sent to the front and rear wheels automatically based on the driving situation.

**ELECTRIC POWER STEERING** This feature helps improve fuel efficiency versus engine-powered systems. The variable assist is tuned to provide less assist at highway speeds for a solid on-centre feel, and more assist for less steering effort when you're manoeuvring in tight spaces.

<sup>1</sup>Comparison based on [wardsauto.com](http://wardsauto.com) 2014 Small Pickup segment and latest competitive information available at time of printing. Excludes other GM vehicles.



## A LOT OF THINKING WENT IN HERE.

---

The thought was, “How can a cargo box do more than just carry your gear?” That’s how we arrived at innovations that help you get into the bed easily as well as organize and secure cargo. In addition, Canyon is engineered to deliver exceptional payload capability, thanks to its large cargo box.

**CORNERSTEP REAR BUMPER** Integrated into the corners, the bumper steps, along with hand assists on the top of the side rails, help give you a boost into the bed.

**EZ-LIFT AND LOWER TAILGATE** Loading the cargo box takes less effort thanks to an available EZ-Lift and Lower Tailgate.

**REMOVABLE AND LOCKING TAILGATE** Allows the tailgate to be removed easily when you need a wide-open cargo box.

**MOVABLE TIE-DOWN HOOKS** Four available load-bearing upper tie-down hooks can be repositioned in 13 locations around the box.



## ENGINEERING PUSHED FURTHER SO YOU CAN PULL MORE.

---

Canyon once again defies its size by being strong enough to pull up to 3175 kg (7000 lb.)<sup>1</sup> when equipped with the available V6 engine and Trailing Package. The I-4 and V6 models can trailer up to 1588 kg (3500 lb.)<sup>1</sup> with the bumper-mounted ball hitch. You'll also find Canyon offers features designed to put you in command of the truck and your trailer right from the driver's seat.

**FULLY BOXED FRAME** Canyon's frame is constructed of 70 percent high-strength steel for maximum people- and cargo-carrying capability.

**TRAILERING PACKAGE** On V6 models, achieve max trailering capacity with this available feature. Includes heavy-duty trailer hitch and 7-pin connector.

**HILL START ASSIST** Sensors automatically detect when Canyon is on a 5 percent grade or more. It holds the brakes momentarily or until the accelerator is pressed, preventing rollback.

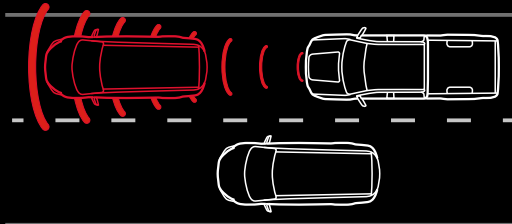
**TOW/HAUL MODE** To give you even more power to accelerate when trailering or hauling heavy loads, Tow/Haul mode on V6 models raises automatic-transmission upshift points.

<sup>1</sup>Before you buy a vehicle or use it for trailering, carefully review the trailering section of the Owner's Manual. The weight of passengers, cargo and options or accessories may reduce the amount you can tow.

## AVOID TROUBLE DOWN THE ROAD, AND RIGHT IN FRONT OF YOU.

Canyon is the first in its class<sup>1</sup> to offer collision-avoidance technologies often found in luxury vehicles—Forward Collision Alert and Lane Departure Warning. They are engineered to help enhance your awareness of the road and surrounding vehicles. Safety features are no substitute for the driver's responsibility to operate the vehicle in a safe manner. The driver should remain attentive to traffic, surroundings and road conditions at all times. Read the vehicle Owner's Manual for more important safety information.

**FORWARD COLLISION ALERT** The available Forward Collision Alert helps warn you when you're rapidly approaching another vehicle and it appears a collision is imminent.



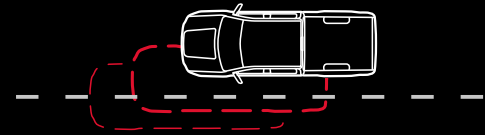
**STABILITRAK** Canyon's electronic stability control system helps improve stability by detecting and reducing traction loss.

**CHILD SEAT ACCOMMODATION** On Extended Cab models, the passenger-side rear-seat head restraint can be removed and inserted to extend the seat bottom to provide support for a variety of forward-facing child seats.

**THEFT DETERRENCE** To help ensure that it remains in your possession, Canyon offers two theft-deterrence technologies to keep potential thieves at bay.

**TIRE PRESSURE MONITORING SYSTEM<sup>2</sup>** It uses sensors inside the wheels to alert you to the tires' status and inflation level through the Driver Information Centre. If you subscribe to OnStar Vehicle Diagnostics, this information is part of the monthly e-mail update, or download the OnStar RemoteLink mobile app<sup>3</sup> and check this status instantly.

**LANE DEPARTURE WARNING** This available technology alerts you if you wander from your lane without signalling while travelling over 56 km/h [35 mph].



**AIRBAGS<sup>4</sup>** Six standard airbags provide protection, including dual-stage frontal, head-curtain side with rollover protection, seat-mounted side-impact and a 360-degree sensor system to ensure proper airbag deployment.

## GMC PRO GRADE PROTECTION.

Pro Grade Protection is standard on every 2015 Canyon. From scheduled maintenance to protecting your vehicle, you can drive with confidence.

2-YEAR/40,000 KM SCHEDULED  
LUBE-OIL-FILTER MAINTENANCE PROGRAM<sup>5</sup>

3-YEAR/60,000 KM NEW-VEHICLE  
LIMITED WARRANTY<sup>6</sup>

5-YEAR/160,000 KM POWERTRAIN  
LIMITED WARRANTY<sup>6</sup>

## THERE WHEN YOU NEED US.



The OnStar Basic Plan,<sup>7</sup> standard for 5 years on most models, helps keep you connected, while the OnStar Directions & Connections Plan, standard for 6 months on most models, lets you speak to a live OnStar Advisor just by pressing the blue OnStar button in your vehicle.

**ONSTAR BASIC PLAN<sup>7</sup>** It includes RemoteLink Key Fob Services to remotely start (if factory equipped), lock/unlock your car (power door locks required) and activate your horn and lights from anywhere. Plus, get OnStar Vehicle Diagnostics and Dealer Maintenance Notification to simplify service scheduling. If your vehicle has available OnStar with 4G LTE,<sup>8</sup> you have access to an available high-speed Internet connection and in-vehicle Wi-Fi hotspot to connect to your favourite Web content. For emergency and Advisor-based services, check out our additional plans.

**AVAILABLE ONSTAR WITH 4G LTE WI-FI HOTSPOT<sup>8</sup>** Unleash the full potential of mobile devices by allowing you and your companions to play, work, game and surf. This built-in Wi-Fi hotspot (with 3-month/3GB trial, whichever comes first) enhances your productivity and entertainment.

**AUTOMATIC CRASH RESPONSE<sup>9</sup>** In many crashes, built-in sensors alert an OnStar Advisor to see if you need help—even if you can't respond.

**CRISIS ASSIST** During severe weather or other crisis situations, OnStar helps you connect with loved ones and navigate your way to safety.

**EMERGENCY SERVICES** If someone needs help, the OnStar emergency button connects you to an Advisor.

**ROADSIDE ASSISTANCE<sup>10</sup>** If you're stranded, run out of gas or have a flat tire, an OnStar Advisor is ready to help.

**SECURITY FEATURES<sup>11</sup>** Remote Door Unlock, Remote Horn and Lights and Stolen Vehicle Assistance provide help when you need it.

**HANDS-FREE CALLING<sup>12</sup> WITH VOICE COMMAND**

Available OnStar Hands-Free Calling allows you to push a button and call out the number while you keep your eyes on the road.

**TURN-BY-TURN NAVIGATION** Push your blue OnStar button and ask the Advisor to download directions to your Canyon.

**ONSTAR eNAV WITH MAPQUEST.CA<sup>TM</sup>** Get a head start on a trip by checking out your destination on mapquest.ca and then clicking the "Send" link. Directions will be sent to your Canyon.

**DESTINATION DOWNLOAD** With the optional Navigation System, an Advisor will download directions to your Canyon's navigation screen.

<sup>1</sup>Comparison based on wardsauto.com 2014 Small Pickup segment and latest competitive information available at time of printing. <sup>2</sup>Does not monitor spare tire. <sup>3</sup>Available on select Apple®, Android™, BlackBerry® and Windows® devices. Requires an active OnStar service plan. Services vary by device, vehicle and conditions and the type of service plan you have. Please visit onstar.ca/mobile for vehicle availability, system limitations and further details. <sup>4</sup>Always use safety belts and the correct restraint for your child's age and size. Even in vehicles equipped with the Passenger Sensing System, children are safer when properly secured in a rear seat in the appropriate infant, child or booster seat. Never place a rear-facing infant restraint in the front seat of any vehicle equipped with an active frontal airbag. See the Owner's Manual and child safety seat instructions for more safety information. <sup>5</sup>The 2-Year Scheduled Lube-Oil-Filter Maintenance Program provides eligible customers in Canada who have purchased, leased or financed a new eligible 2015 MY GMC vehicle with an ACDelco oil and filter change, in accordance with the Oil Life Monitor system and the Owner's Manual, for 2 years or 40,000 km, whichever occurs first, with a limit of four Lube-Oil-Filter services in total, performed at participating GM dealers. Fluid top-offs, inspections, tire rotations, wheel alignments and balancing, etc., are not covered. This offer may not be redeemed for cash and may not be combined with certain other consumer incentives available on GM vehicles. General Motors of Canada Limited reserves the right to amend or terminate this offer, in whole or in part, at any time without prior notice. Additional conditions and limitations apply. See dealer for details. <sup>6</sup>Whichever comes first. See dealer for limited warranty details. <sup>7</sup>The OnStar Basic Plan is available for 5 years from the date of delivery of the eligible new 2015 model-year vehicle and is transferable. It includes OnStar Vehicle Diagnostics (capabilities vary by model), Dealer Maintenance Notification and access to RemoteLink Key Fob Services (available on select Apple®, Android, BlackBerry and Windows devices). Please visit onstar.ca/mobile for more details. The OnStar Basic Plan does not include any Emergency Services, Automatic Crash Response, Stolen Vehicle Assistance, live Advisor service or Hands-Free Calling. These and other services are available under a paid plan. See OnStar User Terms and Privacy Statement (including software terms) for more details. If you sell your vehicle or wish to cancel use of Basic Plan services, you must contact OnStar at 1-888-4-ONSTAR (1-888-466-7827). <sup>8</sup>Visit onstar.ca for coverage maps, details and system limitations. Services and connectivity may vary by model and conditions. OnStar with 4G LTE connectivity is available on select vehicle models and in select markets. Customers will be able to access OnStar services only if they accept the OnStar User Terms and Privacy Statement (including software terms). OnStar acts as a link to existing emergency service providers. After the trial period (if applicable), an active OnStar service plan is required. <sup>9</sup>OnStar acts as a link to existing emergency service providers. Not all vehicles may transmit all crash data. <sup>10</sup>Roadside service provided by Allstate Roadside Services. <sup>11</sup>Services vary by model and conditions. <sup>12</sup>OnStar Hands-Free Calling requires existing OnStar service plan and prepaid minutes. Not available in certain markets. Calls can be made to the U.S. and Canada only.

ACCENTS

INTERIOR COLOURS AND SEATING SURFACES

ALL-TERRAIN PACKAGE

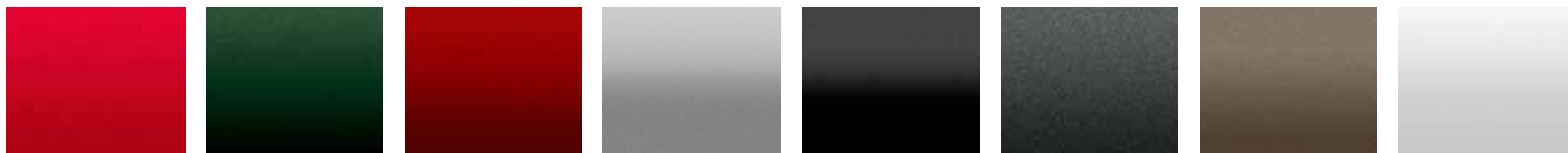


Axiom Aluminum    Smoked Mahogany Wood Tone    Jet Black/Jet Black Cloth    Jet Black/Dark Ash Vinyl    Jet Black/Dark Ash Cloth    Jet Black/Jet Black Leather-Appointed    Cocoa/Dune Cloth    Cocoa/Dune Leather-Appointed    Dark Aluminum    Off-Road Carbon Accent    Jet Black/Jet Black Cloth with Cobalt Red Accents

SL EXT	-	-	-	●	-	-	-	-	-	-	-
CANYON	-	-	-	-	●	-	-	-	-	-	-
SLE	●	●	●	-	-	●	-	○	○	○	-
SLT	●	●	-	-	-	●	-	●	-	-	-

KEY ● STANDARD ○ AVAILABLE - NOT AVAILABLE

EXTERIOR COLOURS



Cardinal Red    Emerald Green Metallic<sup>1,2</sup>    Copper Red Metallic<sup>1</sup>    Quicksilver Metallic    Onyx Black    Cyber Grey Metallic    Bronze Alloy Metallic<sup>1</sup>    Summit White<sup>1</sup>

<sup>1</sup>Not available with All-Terrain Package. See your GMC dealer for more exterior colour details. <sup>2</sup>Additional charge, premium paint.

For more information, see gm.ca.

WHEELS



**RS1** 16" ULTRA SILVER METALLIC CAST ALUMINUM  
STANDARD: BASE CANYON



**Q5W** 17" BLADE SILVER METALLIC CAST ALUMINUM  
STANDARD: SLE



**R1U** 17" DARK ARGENT METALLIC CAST ALUMINUM  
STANDARD: SLE ALL-TERRAIN



**RT5** 18" POLISHED CAST ALUMINUM  
STANDARD: SLT



## PERSONALIZED LICENSE PLATES ARE ONLY A START.

To help you customize your Canyon, GMC Accessories are engineered and tested to meet our Professional Grade standards.

**GearOn PACKAGES** Canyon is all about helping carry more of your gear with you, so GearOn combines individual accessories into comprehensive packages. For enhanced cargo versatility, the new GearOn Rack System features interchangeable parts to meet your lifestyle and work needs. Your dealer can provide the specifics for the following packages:

**GearOn Bars Package**—Cargo tie-down rings and tiered storage cross rails help you secure cargo of varying shapes and sizes.

**GearOn Divider Package**—Cargo tie-down rings and a bed cargo divider allow you to divide gear into compartments. Shown above left.

**GearOn Utility Rack Package**—Utility rack stanchions and tiered storage cross rails allow you to haul oversized items. Late availability.

**BED MAT** Reduce cargo shifting with this easy-to-install, nonskid, nylon-reinforced rubber bed mat designed to fit the contours of your Canyon.

**ASSIST STEPS** Stylish steps with textured step pads make it easier to get into and out of your Canyon. They're available in 76 mm (3") round bar step or 127 mm (5") rectangular, with either chrome or black powder-coat finish. Both finishes add great style and excellent corrosion protection.

**BEDLINER** Protect the bed of your Canyon with this durable bedliner. It's fully ribbed, with a skid-resistant floor to help minimize load shifting. Black with GMC logo.

**TOOLBOX** It mounts securely to the bed of your Canyon without drilling and can handle up to 113 kg (250 lb.) of storage.<sup>1</sup> Late availability.

**HOOD PROTECTOR** It deflects road debris while helping to shield the hood of your Canyon.

**SIDE-WINDOW PROTECTOR** Custom-moulded side-window weather deflectors let fresh air in while keeping rain, sleet and snow out. Plus, they help reduce wind noise and sunlight glare. Available in Smoke.

**TONNEAU COVER** The soft folding tonneau cover is constructed of durable, lightweight black-grained vinyl to help protect truck bed cargo from the elements.

**BODY-COLOUR GRILLE** The dealer-installed accessory is durable and helps reduce chips and dings.

**18" WHEELS<sup>2</sup>** All wheels feature a brilliant, durable finish and GMC logo centre caps.

**POLISHED EXHAUST TIPS** Add a sporty appearance to your Canyon with dual-walled, angle-cut exhaust tips. Late availability.

<sup>1</sup>Cargo and load capacity limited by weight and distribution. <sup>2</sup>Use only GM-approved tire and wheel combinations. Unapproved combinations may change the vehicle's performance characteristics. For approved tire and wheel combinations and other important information, go to gm.ca or see your GMC dealer for details.

SPECIFICATIONS					
<b>ENGINES</b>					
	2.5L I-4 VVT DI (LCV)		3.6L V6 VVT DI (LFX)		
CAPACITY	2.5 litres [150 cu.in.]		3.6 litres [217 cu.in.]		
SAE NET HORSEPOWER @ RPM	200@6300		305@6800		
SAE NET TORQUE @ RPM (LB.-FT.)	191@4400		269@4000		
<b>ENGINE/ MODEL AVAILABILITY</b>					
Extended Cab, Long Box 4x2	●		○ (Not available on SL trim)		
Extended Cab, Long Box 4x4	●		○		
Crew Cab, Short Box 4x2	●		○		
Crew Cab, Short Box 4x4	-		●		
Crew Cab, Long Box 4x2	-		●		
Crew Cab, Long Box 4x4	-		●		
<b>FUEL EFFICIENCY,<sup>1</sup> L/100 km (mpg)</b>					
4x2 with manual transmission	12.2 [23] city/9.1 [31] hwy		-		
4x2 with automatic transmission	11.9 [24] city/8.8 [32] hwy		13.0 [22] city/9.2 [31] hwy		
4x4 with automatic transmission	12.7 [22] city/9.5 [30] hwy		13.5 [21] city/9.8 [29] hwy		
<b>TRANSMISSIONS</b>					
	6-speed manual transmission Electronically controlled 6-speed automatic transmission with overdrive, electronic engine grade braking and Tow/Haul mode				
<b>MAX TRAILERING AND PAYLOAD</b>					
CAB TYPE	EXTENDED CAB, LONG BOX		CREW CAB, SHORT BOX		CREW CAB, LONG BOX
Engine	2.5L I-4		3.6L V6		3.6L V6
Maximum Payload, <sup>2</sup> kg (lb.) [4x2/4x4]	676/667 [1490/1470]		735/721 [1620/1590]		712/667 [1570/1470]
Axle Ratio [4x2/4x4]	4.10/4.10		4.10/-		3.42/3.42
Trailer Weight, <sup>3</sup> kg (lb.) [4x2/4x4]	1588/1588 [3500/3500]		3175/3175 [7000/7000]		3175/3175 [7000/7000]
<b>DIMENSIONS</b>					
CARGO DIMENSIONS	EXTENDED CAB, LONG BOX		CREW CAB, SHORT BOX		CREW CAB, LONG BOX
Cargo Volume, Litres (cu. ft.) <sup>4</sup>	1413 [49.9]		1169 [41.3]		1413 [49.9]
Inside Width at Floor, mm (in.)	1128 [44.4]		1128 [44.4]		1128 [44.4]
Box Length at Floor, mm (in.)	1880 [74.0]		1593 [62.7]		1880 [74.0]
EXTERIOR DIMENSIONS	EXTENDED CAB, LONG BOX		CREW CAB, SHORT BOX		CREW CAB, LONG BOX
Height, mm (in.)	1791 [70.5]		1793 [70.6]		1788 [70.4]
Overall Length, mm (in.)	5403 [212.7]		5403 [212.7]		5715 [225.0]
Body Width, mm (in.)	1885 [74.2]		1885 [74.2]		1885 [74.2]
Wheelbase, mm (in.)	3259 [128.3]		3259 [128.3]		3569 [140.5]
<b>STANDARD TECHNICAL DATA</b>					
DRIVE TYPE	4x2		4x4		
<b>BRAKES</b>					
All models: Power 4-wheel anti-lock braking system	Front disc/rear disc (w/Duralife rotors)		Front disc/rear disc (w/Duralife rotors)		
<b>STEERING</b>					
	Electric power rack-and-pinion with variable assist		Electric power rack-and-pinion with variable assist		
FUEL TANK CAPACITY, Litres (imp. gal.)	79 [17]		79 [17]		
<b>GVWR<sup>5</sup> (Gross Vehicle Weight Rating), kg (lb.)</b>					
Extended Cab	2449-2585 [5400-5700]		2540-2676 [5600-5900]		
Crew Cab	2495-2631 [5500-5800]		2722 [6000]		

<sup>1</sup>Fuel-consumption ratings based on GM testing in accordance with new 2015 model-year Government of Canada approved test methods. Refer to vehicles.nrcan.gc.ca for details. Your actual fuel consumption may vary. <sup>2</sup>These maximum payload ratings are intended for comparison purposes only. Before you buy a vehicle or use it to haul people or cargo, carefully review the vehicle loading section of the Owner's Manual and check the carrying capacity of your specific vehicle on the label on the inside of the driver's door jamb. <sup>3</sup>Before you buy a vehicle or use it for trailering, carefully review the trailering section of the Owner's Manual. The weight of passengers, cargo and options or accessories may reduce the amount you can tow. <sup>4</sup>Cargo and load capacity limited by weight and distribution. <sup>5</sup>When properly equipped; includes weight of vehicle, passengers, cargo and equipment.



TRIM LEVELS	SLEXT	CANYON	SLE	SLT
<b>CONFIGURATIONS</b>				
<b>EXTENDED CAB, LONG BOX 4x2</b>	○	○	○	○
<b>EXTENDED CAB, LONG BOX 4x4</b>	-	○	○	○
<b>CREW CAB, SHORT BOX 4x2</b>	-	○	○	○
<b>CREW CAB, SHORT BOX 4x4</b>	-	-	○	○
<b>CREW CAB, LONG BOX 4x2</b>	-	○	○	○
<b>CREW CAB, LONG BOX 4x4</b>	-	-	○	○
<b>MECHANICAL</b>				
<b>BATTERY</b> Heavy-duty maintenance-free with rundown protection and retained accessory power	●	●	●	●
<b>BRAKES</b> 4-wheel anti-lock, 4-wheel disc with Duralife rotors	●	●	●	●
<b>EATON® HEAVY-DUTY AUTOMATIC LOCKING REAR DIFFERENTIAL</b> On Canyon 4x2 models, not available with 6-speed manual transmission. On Canyon and SLE models, requires Trailing Package when 3.6L V6 engine is ordered. Included on 4x4 SLE models.	-	○	○	●
<b>ENGINE</b> 2.5L I-4, DI, DOHC, VVT. Not available on Crew Cab Long Box or 4x4 Crew Cab Short Box models.	●	●	●	●
3.6L V6, DI, DOHC, VVT. Standard on Crew Cab Long Box and 4x4 Crew Cab Short Box models.	-	○	○	○
<b>ENGINE BLOCK HEATER</b>	○	○	○	○
<b>HILL DESCENT CONTROL</b> Included and only available with All-Terrain Package	-	-	○	-
<b>STABILITRAK</b> Stability control system	●	●	●	●
<b>OFF-ROAD SUSPENSION PACKAGE</b> Included and only available with All-Terrain Package	-	-	○	-
<b>TOW/HAUL MODE</b> Included and only available with 3.6L V6 engine	-	○	○	○
<b>TRACTION CONTROL</b> Electronic	●	●	●	●
<b>TRAILERING PACKAGE</b> Includes trailer hitch and 7-pin connector. On Canyon and SLE models, requires 3.6L V6 engine and automatic locking rear differential. On SLT models, included with 3.6L V6 engine. Not available with 2.5L I-4 engine.	-	○	○	○
<b>TRANSFER CASE SHIELD</b> Included and only available on 4x4 models with All-Terrain Package	-	-	○	-
<b>TRANSMISSION</b> 6-speed manual. Standard on SL and Canyon Extended Cab 4x2 models only. On Canyon Extended Cab 4x2 model, requires 2.5L I-4 engine and 4.10 rear axle ratio.	●	●	-	-
6-speed automatic, electronically controlled with overdrive. Includes Cruise Grade Braking and Powertrain Grade Braking. Standard on 4x4 and all Crew Cab models.	-	○	●	●
<b>INSTRUMENTATION AND CONTROLS</b>				
<b>CRUISE CONTROL</b> Electronic, automatic. On Canyon models, included and only available with Canyon Convenience Package.	-	○	●	●
<b>DEFOGGER</b> Rear-window electric. On Canyon models, included and only available with Canyon Convenience Package.	-	○	●	●
<b>DRIVER INFORMATION CENTRE</b> With monochromatic display. Provides warning messages, odometer, trip odometer and basic vehicle information.	●	●	-	-
With multicolour display. Includes driver personalization, warning messages, odometer, trip odometer and vehicle information.	-	-	●	●
<b>STEERING COLUMN</b> Tilt-Wheel, manual	●	●	-	-
Tilt and telescopic	-	-	●	●
<b>STEERING WHEEL</b> Deluxe	●	●	-	-
Leather-wrapped with mounted audio controls	-	-	●	●

KEY ● STANDARD ○ AVAILABLE - NOT AVAILABLE

TRIM LEVELS	SLEXT	CANYON	SLE	SLT
<b>SEATING</b>				
<b>SEATS</b> Vinyl front buckets	●	-	-	-
Cloth front buckets	-	●	●	-
Leather-appointed front buckets	-	-	-	●
Driver and passenger-side, forward-facing, flat-folding rear seats. Includes under-seat storage. Extended Cab models only. Not available on SL Extended Cab models.	-	●	●	●
Rear folding bench. Crew Cab models only.	-	●	●	●
Driver 4-way power seat adjuster with manual recline and passenger 2-way manual, fore/aft with manual recline	●	●	●	●
Front-passenger 4-way power seat adjuster and power driver and passenger lumbar control. On SLE models, included and only available with All-Terrain Package.	-	-	○	●
Heated driver and front-passenger seats. On SLE models, included and only available with All-Terrain Package.	-	-	○	●
<b>INTERIOR DETAILS</b>				
<b>CLIMATE CONTROL</b> Single-zone manual climate control	●	●	●	-
Single-zone automatic climate control. On SLE models, included and only available with SLE Convenience Package.	-	-	○	●
<b>CONSOLE</b> Overhead	-	-	●	●
Floor, includes front compartment	●	●	●	●
<b>FLOOR COVERING</b> Full-length vinyl	●	-	-	-
Colour-keyed carpeting	-	●	●	●
Colour-keyed carpeted first- and second-row floor mats	-	●	●	●
<b>HANDLES</b> Door release, Jet Black	●	●	-	-
Chrome	-	-	●	●
<b>MIRROR</b> Inside rearview with manual day/night feature	●	●	-	-
Inside rearview auto-dimming	-	-	●	●
<b>REMOTE KEYLESS ENTRY</b> Extended range. On Canyon models, included and only available with Canyon Convenience Package.	-	○	●	●
<b>REMOTE VEHICLE STARTER SYSTEM</b> On SLE models, included and only available with SLE Convenience Package	-	-	○	●
<b>WINDOWS</b> Power with driver express-up and -down	●	●	●	●
Rear sliding window. Included and only available with SLE Convenience Package. Late availability. See your dealer for more availability details.	-	-	○	●

TRIM LEVELS	SLEXT	CANYON	SLE	SLT
<b>OPTION PACKAGES</b>				
<b>CANYON CONVENIENCE PACKAGE</b> Includes Remote Keyless Entry, electronic cruise control, rear-window electric defogger, theft-deterrent system and EZ-Lift and Lower Tailgate	-	○	-	-
<b>SLE CONVENIENCE PACKAGE</b> Includes single-zone automatic climate control and remote vehicle starter system	-	-	○	-
<b>DRIVER ALERT PACKAGE</b> Includes Forward Collision Alert and Lane Departure Warning. On SLE models, requires SLE Convenience Package. Not available with All-Terrain Package.	-	-	○	○
<b>ALL-TERRAIN PACKAGE</b> Includes Off-Road Suspension Package, automatic locking rear differential (4x2 only; standard 4x4), Hill Descent Control, 17" Dark Argent metallic cast-aluminum wheels, body-colour rear bumper, front recovery hooks (4x2 only; standard 4x4), transfer case shield (4x4 only), Jet Black cloth with Cobalt Red-accented interior, heated front seats, 4-way power front-passenger-seat adjuster and power driver and front-passenger lumbar control. Requires SLE Convenience Package.	-	-	○	-
<b>ENTERTAINMENT/COMMUNICATION/NAVIGATION</b>				
<b>107 MM (4.2") DIAGONAL COLOUR DISPLAY</b> Includes AM/FM stereo with USB <sup>1</sup> port and auxiliary jack	●	●	-	-
<b>107 MM (4.2") DIAGONAL COLOUR DISPLAY WITH INTELLILINK<sup>2</sup></b> Includes AM/FM stereo with USB <sup>1</sup> port, auxiliary jack, Bluetooth <sup>®1</sup> streaming audio for music and most phones, hands-free smartphone integration, Internet radio <sup>3</sup> and voice-activated technology for radio and phone. Includes available OnStar 4G LTE <sup>4</sup>	-	○	-	-
<b>203 MM (8") DIAGONAL COLOUR TOUCH-SCREEN WITH INTELLILINK<sup>2</sup></b> Includes AM/FM/SiriusXM <sup>5</sup> (with 3-month trial) with USB <sup>1</sup> ports, auxiliary jack, Bluetooth <sup>1</sup> streaming audio for music and most phones, hands-free smartphone integration, Internet radio <sup>3</sup> and voice-activated technology for radio and phone	-	-	●	●
<b>203 MM (8") DIAGONAL COLOUR TOUCH-SCREEN NAVIGATION<sup>6</sup> WITH INTELLILINK<sup>2</sup></b> Includes AM/FM/SiriusXM <sup>5</sup> (with 3-month trial) with USB <sup>1</sup> ports, auxiliary jack, Bluetooth <sup>1</sup> streaming audio for music and most phones, hands-free smartphone integration, Internet radio <sup>3</sup> and voice-activated technology for radio and phone. Requires Bose <sup>®</sup> premium 7-speaker system.	-	-	○	○
6-speaker system	●	●	●	●
Bose premium 7-speaker system	-	-	○	○
<b>AUDIO SYSTEM USB<sup>1</sup> PORT</b>	●	●	●	●
Audio system USB <sup>1</sup> port located inside centre console	-	-	●	●
<b>USB<sup>1</sup> CHARGING PORTS<sup>2</sup></b> 2 located on rear of centre console	-	-	●	●
<b>ONSTAR 4G LTE<sup>4</sup></b> 5-year Basic Plan <sup>7</sup> and 6 months of Directions & Connections. On Canyon models, included and only available with 107 mm (4.2") diagonal colour display with IntelliLink <sup>2</sup>	-	○	●	●
OnStar 4G LTE <sup>4</sup> Wi-Fi <sup>®</sup> hotspot capability (with 3-month/3GB trial, whichever comes first). On Canyon models, included and only available with 107 mm (4.2") diagonal colour display with IntelliLink <sup>2</sup>	-	○	●	●
<b>SIRIUSXM SATELLITE RADIO<sup>5</sup></b> Includes 3 trial months of service	-	-	●	●

KEY ● STANDARD ○ AVAILABLE - NOT AVAILABLE

TRIM LEVELS	SLEXT	CANYON	SLE	SLT
<b>EXTERIOR STYLING AND FUNCTIONALITY</b>				
<b>BUMPER</b> Rear chrome with integrated corner steps	●	●	●	●
Rear body-colour with integrated corner steps. Included and only available with All-Terrain Package.	-	-	○	-
<b>DOOR HANDLES</b> Black	●	●	-	-
Body-colour	-	-	●	-
Chrome	-	-	-	●
<b>FOG LAMPS</b> Front	-	-	●	●
<b>HEADLAMPS</b> Projector-type with signature LED lighting	●	●	●	●
<b>LIGHTING</b> Overhead cargo box	●	●	●	●
<b>OUTSIDE MIRRORS</b> Outside remote with manual-folding, black	●	●	-	-
Power-adjustable, body-colour, remote, manual-folding with driver-side spotter mirror	-	-	●	-
Heated power-adjustable, chrome, manual-folding with driver-side spotter mirror	-	-	-	●
<b>MOULDINGS</b> Black beltline	●	●	-	-
Chrome beltline	-	-	●	●
<b>RECOVERY HOOKS</b> Front. Standard on 4x4 models only. On 4x2 SLE models, included and only available with All-Terrain Package.	-	●	●	●
<b>SPRAY-IN BEDLINER</b> Includes GMC logo	-	○	○	○
<b>TAILGATE</b> EZ-Lift and Lower Tailgate. On Canyon models, included and only available with Canyon Convenience Package.	-	○	●	●
Locking feature	●	●	●	●
<b>SAFETY AND SECURITY</b>				
<b>AIRBAGS<sup>8</sup></b> Dual-stage frontal and seat-mounted side-impact for driver and front passenger, head-curtain for front and rear outboard seating positions and front Passenger Sensing System	●	●	●	●
<b>FORWARD COLLISION ALERT AND LANE DEPARTURE WARNING</b> Included and only available with Driver Alert Package	-	-	○	○
<b>DAYTIME RUNNING LAMPS</b> With automatic lamp control	●	●	●	●
<b>REAR VISION CAMERA</b> With dynamic grid lines	●	●	●	●
<b>THEFT-DETERRENT SYSTEM</b> Immobilization	●	●	●	●
<b>THEFT-DETERRENT SYSTEM</b> Unauthorized entry. On Canyon models, included and only available with Canyon Convenience Package.	-	○	●	●

<sup>1</sup>Not compatible with all devices. <sup>2</sup>Full functionality requires compatible Bluetooth and smartphone, and USB connectivity for some devices. Visit [intellilink.gmc.gm.ca](http://intellilink.gmc.gm.ca) for more details. <sup>3</sup>Data plan rates apply. <sup>4</sup>Visit [onstar.ca](http://onstar.ca) for coverage maps, details and system limitations. Services and connectivity may vary by model and conditions. OnStar with 4G LTE connectivity is available on select vehicle models and in select markets. Customers will be able to access OnStar services only if they accept the OnStar User Terms and Privacy Statement (including software terms). OnStar acts as a link to existing emergency service providers. After the trial period (if applicable), an active OnStar service plan is required. <sup>5</sup>Available in 10 Canadian provinces and the 48 contiguous United States. Subscription sold separately after trial period. If you decide to continue your service at the end of your trial subscription, the plan you choose will automatically renew and bill at then-current rates until you call 1-877-209-0079 to cancel. Other fees and taxes will apply. All fees and programming subject to change. See SiriusXM "Terms & Conditions" and complete details at [siriusxm.ca](http://siriusxm.ca). <sup>6</sup>At time of printing, detailed map coverage is available for most major urban areas of the United States and for certain metropolitan areas of Canada (Vancouver, Calgary, Edmonton, Winnipeg, Windsor, London, Toronto, Ottawa, Montreal, Quebec City and Halifax). Coverage is significantly limited outside these areas. <sup>7</sup>The OnStar Basic Plan is available for 5 years from the date of delivery of the eligible new 2015 model-year vehicle and is transferable. It includes OnStar Vehicle Diagnostics (capabilities vary by model), Dealer Maintenance Notification and access to RemoteLink Key Fob Services (available on select Apple<sup>®</sup> Android<sup>™</sup> BlackBerry<sup>®</sup> and Windows<sup>®</sup> devices). Please visit [onstar.ca/mobile](http://onstar.ca/mobile) for more details. The OnStar Basic Plan does not include any Emergency Services, Automatic Crash Response, Stolen Vehicle Assistance, live Advisor service or Hands-Free Calling. These and other services are available under a paid plan. See OnStar User Terms and Privacy Statement (including software terms) for more details. If you sell your vehicle or wish to cancel use of Basic Plan services, you must contact OnStar at 1-888-4-ONSTAR (1-888-466-7827). <sup>8</sup>Always use safety belts and the correct restraint for your child's age and size. Even in vehicles equipped with the Passenger Sensing System, children are safer when properly secured in a rear seat in the appropriate infant, child or booster seat. Never place a rear-facing infant restraint in the front seat of any vehicle equipped with an active frontal airbag. See the Owner's Manual and child safety seat instructions for more safety information.

### PEACE OF MIND, STANDARD WITH EVERY GMC MODEL

When you build them with quality, you can back them with confidence. That's why General Motors of Canada backs every GMC model with the best coverage in Canada. Program highlights include:

- 2-year/40,000 km Scheduled Lube-Oil-Filter Maintenance Program<sup>1</sup>
- 3-year/60,000 km New-Vehicle Limited Warranty<sup>2</sup>
- 5-year/160,000 km Powertrain Limited Warranty, with \$0 deductible on repairs and the warranty is fully transferable at no charge<sup>2</sup>
- 5-year/160,000 km Courtesy Transportation<sup>2</sup>
- 5-year/160,000 km 24/7 Roadside Assistance<sup>2</sup>
- 6-year/160,000 km rust-through perforation coverage<sup>2</sup>
- 8-year/130,000 km coverage on catalytic converters and Powertrain Control Modules (PCMs)<sup>2</sup>

### OTHER OWNERSHIP PRIVILEGES AND PROGRAMS:<sup>3</sup>

- **GM Protection Plan (GMPP)** –The only extended service plan backed by the resources and commitment of General Motors, GMPP may be purchased at the time of sale or subsequently during the New-Vehicle Limited Warranty period.
- **Certified Service** –With GM-certified technicians and GM-approved parts, nobody knows your GM vehicle better.
- **GMC Owner Centre** –As an owner, take advantage of the GMC Owner Centre. This online owner's destination gives you access to coupons, contests, current offers and the latest driving and maintenance tips. Find out more at [gmcowner.ca](http://gmcowner.ca).

### TO HELP YOU PURCHASE OR LEASE A NEW VEHICLE:

- **Purchase Financing and Leasing** – On-the-spot financing, see dealer for full details.<sup>4</sup>
- **GM Student Bonus Program** – Students or recent graduates of high school, college or university<sup>3</sup> may be eligible to receive a Student Bonus vehicle redemption allowance of \$500 or \$750<sup>5</sup> (tax inclusive) (purchased vehicle dependant) to use toward the purchase, lease or finance of one eligible new GMC vehicle.
- **The GM Card** – GM cardholders may redeem up to \$2500 GM Card<sup>®</sup> Earnings (subject to Vehicle Redemption Allowances) toward the Total Purchase Price on eligible new GM vehicles.<sup>5</sup> For full program details, please visit [thegmcard.ca](http://thegmcard.ca).

### INFORMATION RESOURCES:

You can find more information about these programs from your GMC dealer, or at these information centres:

- The GM Web site at [gm.ca](http://gm.ca)
- The GM Customer Care Centre at **1-800-GM-DRIVE (1-800-463-7483** or **1-800-263-3830** for TDD users)

### A WORD ABOUT THIS BROCHURE

Some of the equipment shown or described throughout this brochure may be available at extra cost. We have tried to make this brochure comprehensive and factual. We reserve the right, however, to make changes at any time, without notice, in prices, colours, materials, equipment, specifications, models and availability. Specifications, dimensions, measurements, ratings and other numbers in this brochure and other printed materials provided at the dealership or affixed to vehicles are approximates based upon design and engineering drawings and prototypes and laboratory tests. Your vehicle may differ due to variations in manufacture and equipment. Since some information may have been adapted since the time of printing, please check with your GMC dealer for complete details. General Motors of Canada Limited reserves the right to lengthen or shorten the model year for any product, for any reason, or to start and end model years at different times.

### A WORD ABOUT ASSEMBLY

GMC vehicles are equipped with engines and components produced and assembled by different operating units of General Motors, its subsidiaries and suppliers to GM worldwide. We sometimes find it necessary to produce GMC vehicles with different or differently sourced components than originally scheduled. Since some options may be unavailable when your vehicle is assembled, we suggest that you verify that your vehicle includes the equipment you ordered or, if there are changes, that they are acceptable to you.

### TRADEMARKS

©2014 General Motors of Canada Limited. All rights reserved. The marks appearing in this brochure, including but not limited to: General Motors, GM, GMC, Canyon and their respective logos, emblems, slogans and vehicle model names and body designs; and other marks such as StabiliTrak are trademarks of General Motors and/or General Motors of Canada Limited, its subsidiaries, affiliates or licensors. OnStar, the OnStar emblem and Directions & Connections are registered trademarks of OnStar, LLC. The SiriusXM name and related logos are trademarks of SiriusXM Canada, Canadian Satellite Radio, Inc. Bluetooth is a registered trademark of Bluetooth SIG, Inc. Apple is a registered trademark of Apple, Inc. Android is a trademark of Google, Inc. BlackBerry is a registered trademark of BlackBerry, Inc. Windows is a registered trademark of Microsoft Corporation. Bose is a registered trademark of the Bose Corporation. Wi-Fi is a registered trademark of Wi-Fi Alliance.

<sup>1</sup>The 2-Year Scheduled LDF Maintenance Program provides eligible customers in Canada who have purchased, leased or financed a new eligible 2015 MY GMC vehicle with an ACDelco oil and filter change, in accordance with the Oil Life Monitor System and the Owner's Manual, for 2 years or 40,000 km, whichever occurs first, with a limit of four Lube-Oil-Filter services in total, performed at participating GM dealers. Fluid top-offs, inspections, tire rotations, wheel alignments and balancing, etc., are not covered. This offer may not be redeemed for cash and may not be combined with certain other consumer incentives available on GM vehicles. General Motors of Canada Limited reserves the right to amend or terminate this offer, in whole or in part, at any time without prior notice. Additional conditions and limitations apply. See dealer for details. <sup>2</sup>Whichever comes first. Conditions and limitations apply, see dealer for details. <sup>3</sup>Conditions and limitations apply. <sup>4</sup>Subject to eligibility. <sup>5</sup>Program subject to change.

