

Forester Hybrid | 2026



Love goes the extra mile.

The Subaru Forester Hybrid delivers more of everything you love—go-anywhere capability, rugged reliability, and class-leading safety. All while taking you farther with 40% better fuel economy and up to 581 miles on a single tank of gas¹. Paired with the legendary SUBARU BOXER[®] engine and EyeSight[®] Driver Assist Technology², it's our most fuel-efficient and lowest-emission Forester.



Premium

- 194-hp Subaru Hybrid Drive System with 2.5-liter 4-cylinder SUBARU BOXER[®] engine
- Subaru Symmetrical All-Wheel Drive with Active Torque Vectoring
- Dual-function X-MODE[®] with Hill Descent Control
- Panoramic power moonroof
- Subaru 11.6-inch Multimedia System with Navigation, wireless Apple CarPlay[®] and Android Auto[™] integration
- EyeSight[®] Driver Assist Technology²
- Emergency Lane Keep Assist and Automatic Emergency Steering³
- Blind-Spot Detection with Lane Change Assist and Rear Cross-Traffic Alert⁴
- Qi[®] wireless smartphone charging pad⁵
- All-Weather Package: Heated exterior mirrors, 3-mode heated front seats, windshield wiper de-icer
- Power Rear Gate with Automatic Close, Height Memory, and Hands-Free Foot Activation Sensor⁶
- MySubaru[®] Connected Services⁷ enabled
- 18-inch alloy wheels in Dark Metallic with machine finish

Sport

Includes Forester Premium Hybrid key features and adds:

- StarTex[®] upholstery with bronze stitching and interior trim accents
- Harman Kardon[®] premium audio system
- Front, rear, and side underguards with bronze accents
- 19-inch alloy wheels with bronze finish
- Low-profile roof rails
- Crystal Black Silica exterior mirrors with integrated turn signals
- Reverse Automatic Braking⁸
- Sport Hybrid-tuned suspension

Limited

Includes Forester Premium Hybrid key features and adds:

- StarTex[®] upholstery with blue stitching
- Harman Kardon[®] premium audio system
- Front, rear, and side underguards with dark gray inserts
- 8-way power front passenger seat
- Dark-gray finish exterior mirrors with integrated turn signals
- Rain-sensing windshield wipers
- One-touch folding rear seatback
- Reverse Automatic Braking⁸

Touring

Includes Forester Limited Hybrid key features and adds:

- Leather-trimmed upholstery with Dinamica[®] inserts
- DriverFocus[®] Distraction Mitigation System⁹
- Front, rear, and side underguards with gloss black inserts
- 360-degree Surround View Monitor
- Ventilated front seats
- 2-position driver's seat memory
- 19-inch alloy wheels in Dark Gray with machine finish
- Low-profile roof rails
- Heated steering wheel
- Heated outboard rear seats
- Crystal Black Silica-finish exterior mirrors with integrated turn signals and automatic reverse tilt
- Smart Rear-View Mirror

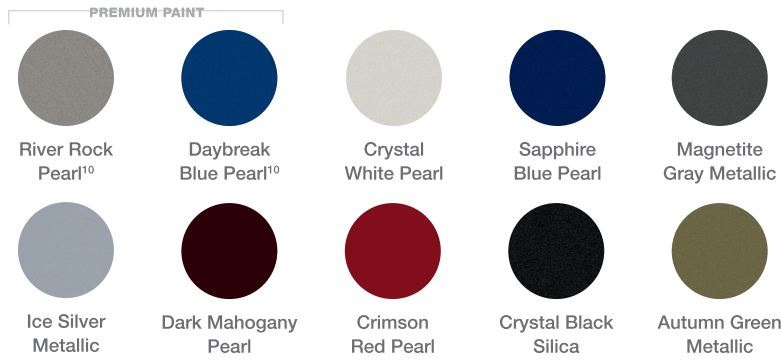
Love. It's what makes Subaru, Subaru.[®]



2026 Forester Hybrid

Colors & Dimensions

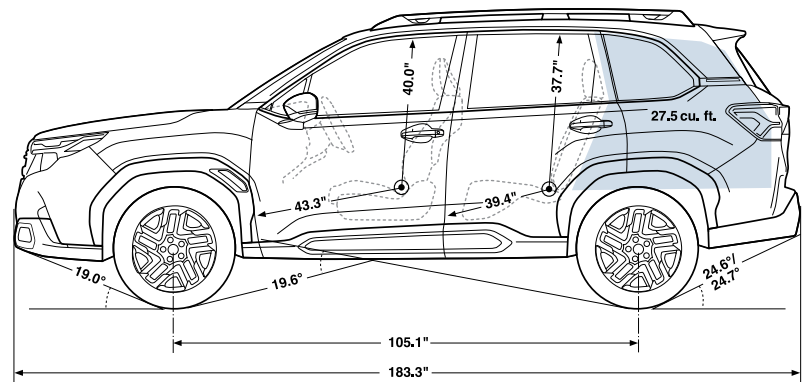
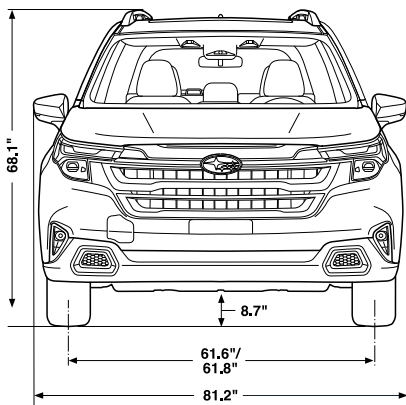
Exterior



There's more to love.

[Explore additional features, photos, and awards.](#)

Interior



Length/Width/Height 183.3 inches/
72.0 inches (81.2 inches with exterior
mirrors)/68.1 inches with roof rails

Ground Clearance
8.7 inches (at base curb weight)

Towing Capacity¹¹ 1,500 lbs

Cargo Volume 27.5 cubic feet
(69.1 cubic feet with rear seat down)

Roof Crossbar
150-lb dynamic maximum load capacity

Roof Rail
700-lb static maximum load capacity

*Illustration shows Forester Limited model only. Dimensions and features may vary by trim level. Please contact your local authorized Subaru retailer for more information.



[See 2026 models in action.](#)

Information current at time of printing.

1 Based on EPA estimates for city MPG for 2025 Forester Hybrid vs. standard 2025 Forester. Actual mileage will vary. 2 EyeSight is a driver assist technology which may not operate optimally under all driving conditions. The driver is always responsible for safe and attentive driving. System effectiveness depends on many factors, such as vehicle maintenance, weather, and road conditions. See your Owner's Manual for complete details on system operation and limitations. 3 Automatic Emergency Steering requires Blind-Spot Detection. Availability varies by trim level. See your Subaru retailer for details. 4 Blind-Spot Detection, Lane Change Assist and Rear Cross-Traffic Alert are systems designed to assist the driver by monitoring the rear and side areas of the vehicle during a lane change or reversing and are not a substitute for safe and attentive driving. 5 Qi[®] wireless charging may not be compatible with all mobile devices. When using the wireless charging system, avoid placing metal objects between the wireless charger and the mobile device when charging is active. Doing so may cause metal objects to become hot and could cause burns. 6 Foot activation function not operable when equipped with accessory tow hitch. See your Subaru retailer for details. 7 Activation with subscription required. Includes a three-year trial subscription to Safety services and a six-month trial subscription to Safety and Security services. The Concierge plan can be purchased annually or monthly. A credit card on file will be required for specific packages and for renewal purposes. Features and availability vary by model and trim level. May not be available in all states. Please contact your local authorized Subaru retailer for more information. 8 The Reverse Automatic Braking System is not a substitute for safe and attentive driving. System effectiveness depends on many factors, such as vehicle maintenance, weather, and road conditions. Always exercise caution and use vehicle mirrors and the Rear-Vision Camera when backing up. See your Owner's Manual for complete details on system operation and limitations. 9 The DriverFocus Distraction Mitigation System is a driver recognition technology designed to alert drivers if their attention to the road wavers or if the driver's face appears to turn away. The driver is always responsible for safe and attentive driving. System effectiveness may be affected by articles of clothing worn on the head or face. See your Owner's Manual for complete details on system operation and limitations. 10 Premium paint at additional cost. See your Subaru retailer for details. 11 Maximum towing capacity varies by trim level. Trailer brakes may be needed. Do not use with any type of weight-distributing hitch as their usage has not been validated to work with Subaru vehicles. Some safety features, including Blind-Spot Detection, Rear Cross-Traffic Alert, Smart Rear-View Mirror, and X-MODE, may not function properly during towing. See your Owner's Manual for details.



Find out more about our efforts to keep it cleaner and greener. subaru.com/environment