

Tundra | 2011



 **TOYOTA**
make things better



A

Tundra

You don't get anywhere by standing still. So we leave nothing to chance when it comes to the tough 2011 Tundra. A choice of three cabs and three bed lengths lets you get the truck you need and the 310 hp or 381 hp i-FORCE V8 engines will give you more than enough power to handle any job. With smart design details like controls and door handles that can be operated while wearing work gloves, Tundra puts the driver's needs front and centre – and that's how we make things better.



Regular Cab Standard Bed

Regular Cab Long Bed

Double Cab Standard Bed

Double Cab Long Bed

CrewMax Short Bed

FRONT COVER

Double Cab with Upgrade Package shown in Black.

A. CrewMax Limited shown in Pyrite Mica.

What's the measure of a real truck?



TRANSMISSION HEATING/COOLING SYSTEM Controlling fluid temperatures is crucial to the longevity of any engine and transmission, especially under repeated hard use. To help Tundra's powerplants keep their muscular performance, they are equipped with an Automatic Transmission Fluid Warmer for cold-start performance you can bank on. Coolers for the ATF, engine oil and power steering fluid eliminate heat build-up under demanding loads and conditions.

BIG ON CHOICE With three truck bed sizes available short, standard or long, Tundra's cargo beds feature an impressive depth of 564 mm [22.2"] for whatever projects you choose.

AVAILABLE CLEATS AND TIE-DOWNS Connected to the upper rail of the bed, the system uses four cleats rated at 100 kg [220 lbs] per attachment to help ensure that what's in the bed stays in the bed.

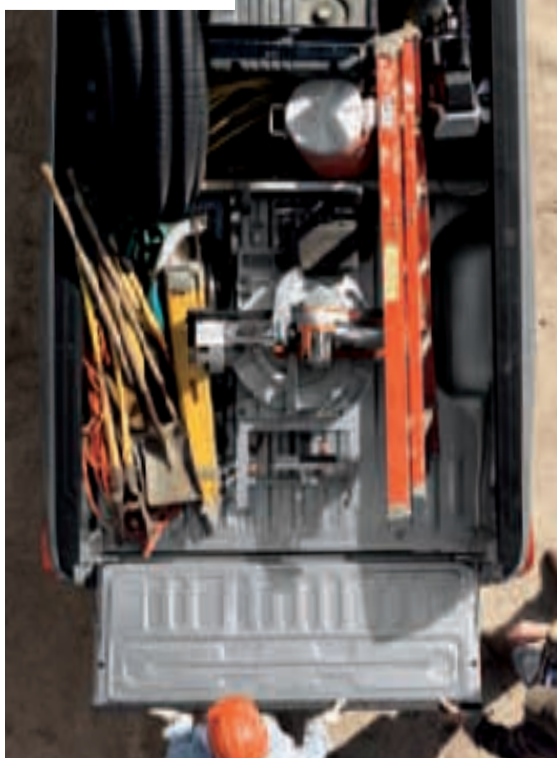
MORE PAYLOAD,³ MORE PAY Tundra also pays off when it comes to loading up the bed. The 5.7-litre 4X4 Tundra Regular Cab Long Bed can handle up to 830 kg [1,835 lbs], and maximum payload³ for the 5.7-litre 4X2 Tundra Regular Cab is up to 860 kg [1,900 lbs].



EASY LOWER AND LIFT TAILGATE Tundra's tailgate opens easily, and closes easily. Two fingers will do the job, thanks to a gas-charged damping strut that helps make sure it won't slam if you drop it.

i-FORCE 5.7-LITRE V8 The i-FORCE 5.7-litre V8 delivers 381 hp and 401 lbs. ft. of torque, regulated by a heavy-duty 6-speed Super ECT automatic transmission. Efficiency is boosted by Dual VVT-i (independently controlled on the intake and exhaust valves), a low-friction cam assembly, transmission and power steering coolers to reduce heat build-up under heavy loads. The cast-aluminum block saves weight, and the cylinders are lined with steel sleeves for maximum durability.

DECK RAIL SYSTEM Load up the Tundra's deep cargo bed and let the available and flexible Deck Rail System help secure the load.

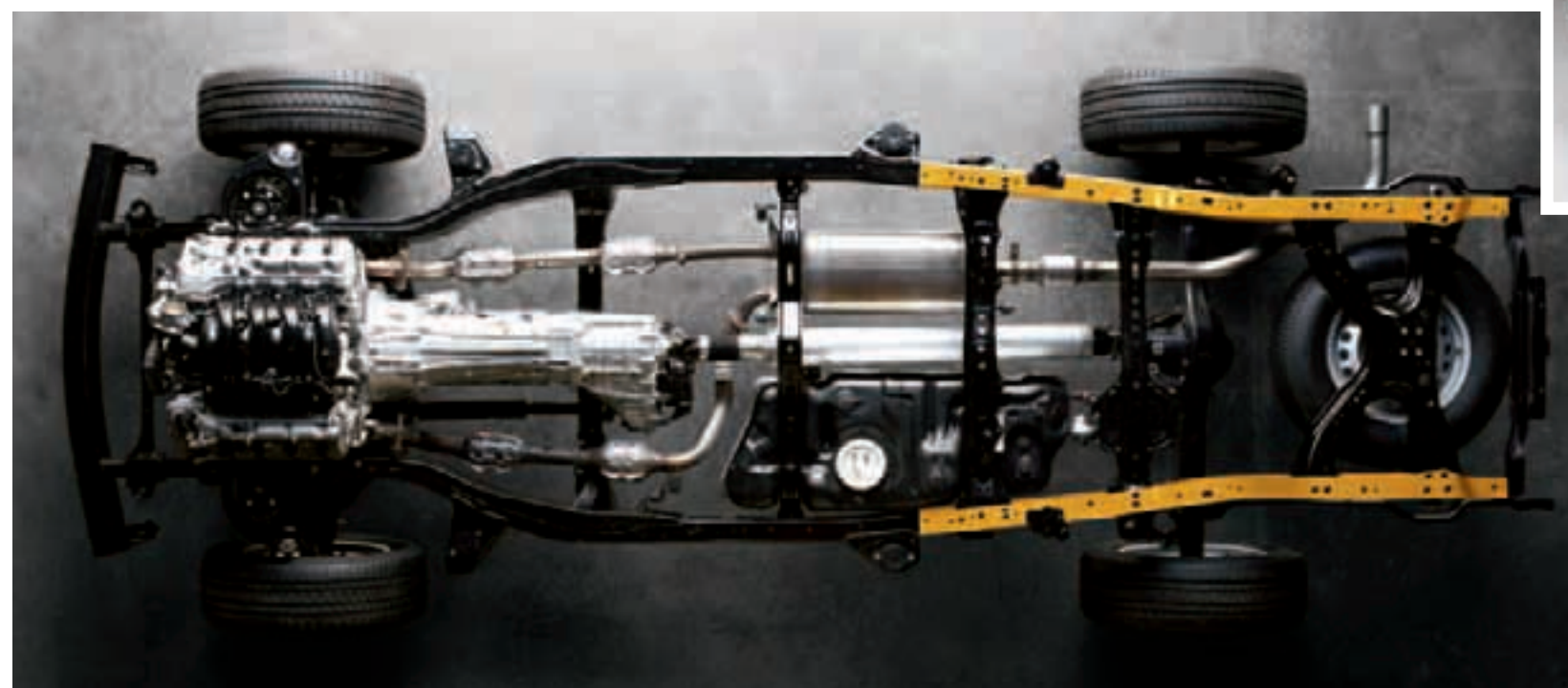


i-FORCE 4.6-LITRE V8 The 310 hp i-FORCE 4.6-litre V8 has a 6-speed Super Electronically Controlled automatic transmission. Toyota's exclusive Dual Variable Valve Timing with intelligence optimizes the engine's volumetric efficiency to pump as much air as possible and extract maximum power. Peak torque is 327 lb.ft. at just 3,400 rpm. When towing heavy loads, response is there for powerful launches across a wide range of engine speeds. Uphill and downhill shift logic help control power for maximum efficiency on steep grades.



INTEGRATED HITCH RECEIVER All Tundra 4x4 and 4x2 models feature our standard heavy-duty towing package which comes with the hitch receiver integrated into the frame.

MAXIMUM TOWING CAPACITY 10,800 LBS The sturdiest hauler in the lineup is the 5.7-litre Tundra 4X2 Regular Cab that can pull up to 4,895 kg [10,800 lbs].



TRAPEZOIDAL FRAME SECTION When you think of suspension, you probably think about up-and-down movement. But our engineers also thought about lateral stability. The trapezoidal rear section of Tundra's TripleTech™ frame allows the rear leaf springs to be positioned toe-out, where the front is mounted farther out than the rear. The result: The trapezoidal rear frame section and the toe-out rear leaf springs combined deliver superior lateral stability when cornering and especially while towing heavy loads.

2-PIECE DRIVE SHAFT Double Cab and CrewMax Tundras are equipped with a 2-piece drive shaft that uses steel in the front half and aluminum in the rear to cut unsprung weight and reduce rotational mass for enhanced acceleration. On 4X4 models, the drive shaft uses large-diameter splines that allow the shaft length to adapt to articulation of the suspension and increase the drive shaft's ability to handle high torque loads.

6-SPEED AUTOMATIC Tundra's 6-speed automatic gives it a wide overall gear range. That translates into a brisk acceleration at low-and mid-range rpm. And first gear's ratio is an extremely low 3.333 - ideal for serious towing.

Regular Cab

With its deep cargo bed, Tundra's Regular Cab hauls a payload³ up to 860 kg (1900 lbs) - 4x2 and can tow up to 4895 kg (10,800 lbs) - 4x2. Inside, a host of practical features help take the edge off a rough day. The headrests can be adjusted to let you keep your hard hat where it belongs – on your head. Behind the front seat is a large flat storage tray that can hold toolboxes and a small generator. Power, capacity and convenience, this truck is built for the way you work.



Standard Bed

Long Bed

TOWING CAPACITY - 4580 to 4895 kg

PAYLOAD CAPACITY³ - 690 to 860 kg

FUEL CONSUMPTION² - 15.2 City/10.9 Highway L/100 km
4x2 5.7-litre, i-FORCE V8 with automatic transmission

SELECT FEATURES

- 381 hp, 5.7-litre, i-FORCE V8, DOHC, 32-valve, Dual VVT-i engine with sequential multiport electronic fuel injection.
- Power-assisted, 4-wheel ventilated disc brakes, Antilock Braking System, Electronic Brake-force Distribution, Brake Assist.
- 6-speed, automatic, Super Electronically Controlled Transmission with overdrive.
- AM/FM CD/MP3/WMA player, audio auxiliary input jack, 4-speakers.
- Direct tire pressure monitoring system.
- Dual-stage driver and front passenger airbag, front seat-mounted side airbags, roll-sensing front head/side curtain airbags Supplemental Restraint System.¹
- 4 pin/7 pin trailer wire harness, electronic trailer brake control connector, class IV weight distribution trailer hitch.
- Windshield wiper de-icer.

A. Regular Cab 5.7-litre shown in Alpine White.

B. Regular Cab with TRD Off-Road Package interior shown in Graphite fabric.



A



B

Double Cab

With a Standard Bed or Long Bed, Tundra's Double Cab is big where it should be. There's ample room to stretch out and relax so your crew isn't cramped in the back. The rear doors open wide and are forward hinged with an impressive 80-degree opening so people and cargo can be easily loaded. The power and toughness of Tundra, with the size and space designed to make the workday easier.



Standard Bed

Long Bed

TOWING CAPACITY - 3765 to 4715 kg

PAYLOAD CAPACITY³ - 565 to 655 kg

FUEL CONSUMPTION² - 14.8 City/10.3 Highway L/100 km
4x4 4.6-litre, i-FORCE V8 with automatic transmission

SELECT FEATURES

- 310 hp, 4.6-litre, i-FORCE V8, DOHC, 32-valve, Dual VVT-i engine with sequential multiport electronic fuel injection.
- 381 hp, 5.7-litre, i-FORCE V8, DOHC, 32-valve, Dual VVT-i engine with sequential multiport electronic fuel injection.
- Power-assisted, 4-wheel ventilated disc brakes, Antilock Braking System, Electronic Brake-force Distribution, Brake Assist.
- 6-speed, automatic, Super Electronically Controlled Transmission with overdrive, sequential shift mode, lock-up torque converter.
- AM/FM CD/MP3/WMA player, audio auxiliary input jack, 6-speakers.
- Windshield wiper de-icer.
- Easy lower and lift tailgate, cargo bed tie-downs and removable locking tailgate.
- Heated, power adjustable exterior mirrors.

A. Double Cab with Upgrade Package shown in Pyrite Mica.

B. Double Cab SR5 5.7-litre interior shown in Graphite fabric.

C. The 40/20/40 split front bench seat has a fold-down console storage box to accommodate a variety of work items. **D.** The overhead sunglass storage allows easy access for your eyewear.



A



B



C



D

CrewMax

CrewMax is a rugged truck that doubles as a comfortable mobile office with plenty of leg and headroom for you and your crew. CrewMax is available in two models: the SR5 and Limited. The Platinum package adds extra luxury touches like, power adjustable heated and ventilated captain's seats, woodgrain with chrome accents, and 20-inch multi-spoke rims.



Short Bed

TOWING CAPACITY - 4580 kg

PAYLOAD CAPACITY³ - 590 to 600 kg

FUEL CONSUMPTION² - 16.7 City/12.1 Highway L/100 km
4x4 5.7-litre, i-FORCE V8 with automatic transmission

SELECT FEATURES

- 381 hp, 5.7-litre, i-FORCE V8, DOHC, 32-valve, Dual VVT-i engine with sequential multiport electronic fuel injection.
- Power-assisted, 4-wheel ventilated disc brakes, Antilock Braking System, Electronic Brake-force Distribution, Brake Assist.
- 6-Speed, automatic, Super Electronically Controlled Transmission with overdrive, transmission cooler, console mounted gate-type shifter.
- Intergrated XM[®] satellite radio, Bluetooth[®] capability, USB audio input, in-dash 6-disc CD changer.
- Power adjustable driver's seat.
- Short bed (5.5 feet).
- Power vertically sliding rear window.
- Electric rear window defroster.

A. 4x4 CrewMax SR5 shown in Silver Sky Metallic. **B/C.** CrewMax Limited interior shown in Graphite leather trim. For on-site meetings, the rear seat folds flat to create an expansive work surface. **D.** The innovative console storage box helps organize your hanging files, store a laptop computer and other work essentials.



A



B



C



D

Safety

Because on-the-job safety is as important to us as it is to you, every Tundra protects you and your passengers with standard occupant safety features that includes dual-stage driver and front passenger airbags, front knee airbags, front seat-mounted side airbags, front and rear roll-sensing curtain shield airbags (Regular Cab-front curtain shield airbags).¹ With a reinforced cab and an extruded front bumper that helps transfer front-impact forces through the frame-rails and away from the people inside, Tundra is built to protect.

Every 2011 Toyota Tundra is designed to respond immediately to driver input to help keep you on top of every situation under all driving conditions.

VEHICLE STABILITY CONTROL identifies loss of traction and acts automatically to maintain directional stability. The system monitors your steering angle and compares it to the direction the truck is actually travelling. When loss of traction is detected, VSC activates to help maintain maximum grip.

ELECTRONIC BRAKE-FORCE DISTRIBUTION responds to driving conditions by optimizing the amount of brake-force applied to each wheel for maximum control and secure stopping power.

4-WHEEL ANTILOCK BRAKING SYSTEM helps maintain steering control by avoiding skids during urgent braking.

BRAKE ASSIST boosts brake pressure during emergency stops to take full advantage of the benefits of ABS.



BIG VENTILATED DISC BRAKES. Front and rear (74 square inches of swept area, with 4 pistons in front) ventilated disc brakes quickly and effectively shed the extreme heat that builds up when hauling or towing the heaviest cargo.



TRACTION CONTROL helps keep you in control on wet, icy, loose or uneven surfaces by applying individual wheel braking as needed and reducing engine output.

Toyota Quality

Quality is built right into the production process from the selection of raw materials, right down to the vehicle's final inspection. And it is the responsibility of everyone to ensure the highest quality possible on each and every vehicle. It's through Toyota's philosophy of 'Kaizen' that we are always looking for ways to continually improve. That's how we make things better.

THE TOYOTA PRODUCTION PROCESS is one that is constantly evolving. With our "Just-In-Time" practice, the goal is to make certain that during the manufacturing process, only what is needed gets produced. The result is twofold: because there's no excess supply, any issues are exposed and promptly resolved to ensure that everything off of the Toyota assembly line is of exceptional quality.

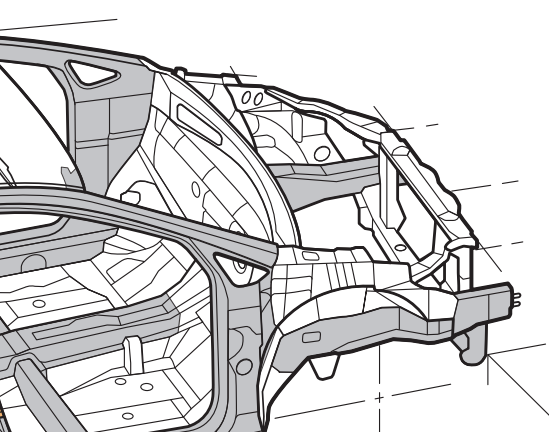


THE HUMAN TOUCH. As impressive as the machinery is, the achievement of perfect fit and finish is also the result of continuous human touch for every step of the way.

TOYOTA CANADA COLD RESEARCH CENTRE. Located in Timmins, Ontario, our teams test Toyota vehicles in actual Canadian winter conditions at our cold weather testing track to ensure that they remain dependable throughout the long winter months.



For more information visit toyota.ca



2011 Colours



040 Alpine White^{A,B,E,F}



1D6 Silver Sky Metallic^{A,B,E,F}



1G3 Magnetic Grey Metallic^{A,B,E,F,G}



202 Black^{A,B,E,F,G}



3L5 Radiant Red^{A,B,F}



3R3 Barcelona Red Metallic^{A,B,D,F,G}



4T3 Pyrite Mica^{C,D,E}



8S6 Nautical Blue Metallic^{A,B,E,F}

Please see your Toyota Dealer for details.

Interior colour options

^A Graphite Fabric.

^B Black Fabric.

^C Sand Beige Fabric.

^D Sand Beige Leather Trim.

^E Graphite Leather Trim.

^F Black Leather.

^G Red Rock Leather Trim.

New vehicle warranty summary

NO DEDUCTIBLES – NO TRANSFER FEES

COMPREHENSIVE COVERAGE - 3 YEARS OR 60,000 KM This warranty includes 24 hour Roadside Assistance and other benefits, as well as coverage of repairs on any part of the vehicle that is defective in material or workmanship under normal use and maintenance. Different warranties apply to original tires.

POWERTRAIN COMPONENTS - 5 YEARS OR 100,000 KM This warranty covers repairs to powertrain components that are defective in material or workmanship under normal use and maintenance.

MAJOR EMISSION CONTROL COMPONENTS - 8 YEARS OR 130,000 KM This warranty covers repairs to specified major emission components that are defective in material or workmanship under normal use and maintenance.

CORROSION PERFORATION - 5 YEARS UNLIMITED DISTANCE Any sheet metal found, under normal use, to have developed a perforation from corrosion due to defects in material or workmanship.

Accessories

Personalize your vehicle to enhance its appearance and performance with Toyota Accessory Parts. Your Toyota Dealer can help you select the right accessories to suit your individual style. Many of Toyota's Accessory Parts can be residualized or advanced through Toyota Financial Services when purchased at the time of a new vehicle sale, and all are backed by a Toyota Warranty. To view a complete list of accessories specifically designed for your vehicle, visit customizeyourtoyota.ca, your local Dealer or toyota.ca.

Personalize your Tundra with interior and exterior accessories that suit your individual needs.

INTERIOR

All-Season Mats
Bluetooth®⁴
Door Sill Protectors

EXTERIOR

Block Heater
Hitch Mounted Bike Carrier
Hood Deflector
Rear Bumper Step
Remote Engine Start
Running Boards
Security System
Side Step Bars 3" & 4" Oval
Side Window Visors
Skid Plate
Towing Accessories
Towing Mirrors

BED ACCESSORIES

Bed Divider
Bed Extender
Bed Liner
Bed Rail w/Cleats
Cargo Mat
Cargo Net
Hard/Soft Trifold Tonneau Cover

TRD ACCESSORIES

TRD Air Filter
TRD Big Brake Kit
TRD Oil Cap
TRD Oil Filter
TRD Performance Brake Pads
TRD Performance Suspension Kit
TRD Rear Sway Bar



Hard Trifold Tonneau Cover



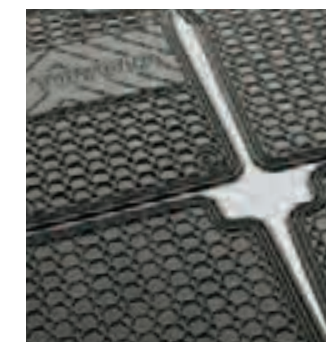
Skid Plate



Towing Mirrors



Bluetooth®⁴



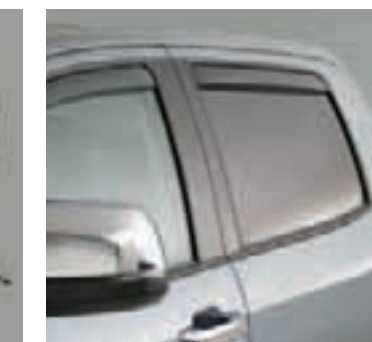
All-Season Mats



Side Step Bars 4" Oval



TRD Big Brake Kit



Side Window Visors



Rear Bumper Step



Hood Deflector



Running Boards



Bed Extender



Bed Liner

ACCESSORIES SHOWN Tundra all dressed up with Hood Deflector, Side Window Visors, Towing Mirrors and Running Board.



Discover more with Toyota

At Toyota, our goal is to continuously make things better for you. That's why we offer a wide range of programs and services before and after your vehicle purchase designed to help make your Toyota experience the best it can be.



Fewer emissions and pollutants.¹ More kilometres on less fuel. And designed with power and performance in mind. Available in Prius, Camry and Highlander, these latest generation Toyota hybrids offer you the best of all worlds.



Toyota Dealers are dedicated to making the experience of owning a Toyota both satisfying and rewarding. We service your Toyota the way we built it. So you can count on quality parts and professional service.



If you're looking at leasing or financing, we're here to help. We provide competitive interest rates, flexible terms, and an easy online pre-approval process. The toughest decision should be choosing which Toyota you want. Visit us at www.toyotafinancialservices.ca.



Enhance your Toyota ownership experience by joining Club Toyota – a complimentary and exclusive online service for Toyota owners. Benefit from an abundance of interactive services, and information conveniently at your fingertips. Register today at clubtoyota.ca.



With Extra Care Protection you receive inflation protected coverage from mechanical failures, road emergencies, and much more. It's affordable peace of mind. Consult your Toyota Dealer for details.



The Toyota Mobility program is dedicated to addressing the transportation needs of Toyota Owners who have a disability, or know a family member with a disability or mobility issue. The program offers cash assistance, resource information and financing for adaptive equipment for their vehicle.



All new Toyota cars and trucks include a full tank of gas, roadside assistance and floor mats.

¹Compared against similarly equipped conventional gasoline powered vehicles. Based on North American sales data and Federal Tier 2 engine emission requirements.

Working together to make things better.

Through education, inspiration, financial support and a long standing commitment to the environment, Toyota Canada is proud to contribute to the Toyota Canada Foundation and to various community programs that are devoted to the betterment of our planet. To learn more about how we are working to make things better, visit us at Toyota.ca



Photo: Joshua Berson



Photo: Evergreen – Jane Churchill



Toyota Evergreen Learning Grounds
Toyota Canada Inc. and its Dealerships partnered with Evergreen in 2000 to create the Toyota Evergreen Learning Grounds Program, that is transforming Canadian school grounds into natural learning environments. For more information visit evergreen.ca



Special Olympics Canada
Toyota Canada Inc. and its Dealers are National Sponsors of Special Olympics Canada, which is dedicated to making a difference in the lives of Special Olympics athletes. Toyota Canada Inc. reaches out to Special Olympics athletes whenever possible through participation in events at a local, regional, provincial and national level. For more information visit specialolympics.ca



Toyota Earth Day Scholarship Program
The Toyota Earth Day Scholarship Program was established to recognize and reward graduating high school students who have distinguished themselves through environmental, volunteer and academic excellence. This year, 20 scholarships will be awarded coast to coast, allowing Canada's future environmental leaders to continue their studies. For more information visit earthday.ca

2011 Tundra 4x4 Features

	Regular Cab		Double Cab			CrewMax		
	Std	Long	Std	SRS Std	Long	Ltd Std	SRS Short	Ltd Short
INTERIOR	5.7L	5.7L	4.6L	5.7L	5.7L	5.7L	5.7L	5.7L
AM/FM CD/MP3/WMA Player, Audio Auxiliary Input Jack, Antenna Pole	•	•	•	•	•	•	•	•
AM/FM CD/MP3/WMA Player, Audio Auxiliary Input Jack, Integrated XM® Satellite Radio, Bluetooth® Capability, Steering Wheel Audio Controls, USB Audio Input, Antenna Pole	-	-	-	-	•	-	•	-
JBL® Audio, AM/FM CD/MP3/WMA In-Dash 6-Disc Changer, Audio Auxiliary Input Jack, Integrated XM® Satellite Radio, Bluetooth® Capability, Steering Wheel Audio Controls, USB Audio Input, Antenna Pole, 400-Watt Sound System	-	-	-	-	-	•	-	•
4-Speakers	•	•	-	-	-	-	-	-
6-Speakers	-	-	•	•	•	-	•	-
10-Speakers	-	-	-	-	-	•	-	-
12-Speakers	-	-	-	-	-	-	-	•
Dual Zone Climate Control, Cabin Air Filter	•	•	•	•	•	-	•	-
Dual Zone Automatic Climate Control, Cabin Air Filter	-	-	-	-	-	•	-	•
Rear Seat Heater Ducts	-	-	•	•	•	•	•	•
Full Fabric Seat Material	•	•	-	-	-	-	-	-
Premium Cloth Seat Material	-	-	•	•	•	-	•	-
Leather Seat Surfaces, Leather-Wrapped Steering Wheel, Woodgrain & Leather-Wrapped Shift Knob	-	-	-	-	-	•	-	•
40/20/40 Split Front Bench Seat	•	•	•	•	-	-	-	-
Driver & Front Passenger Bucket Seats	-	-	-	-	•	•	•	•
Power 8-Way Driver Seat	-	-	-	-	•	-	•	-
Heated Driver & Front Passenger Seats	-	-	-	-	-	•	-	•
Driver Seat w/Recline, Fore/Aft Adjustments	•	•	•	•	-	-	-	-
Driver Seat Cushion-Height Adjustment	-	-	•	•	-	-	-	-
Front Passenger Seat w/Recline, Fore/Aft Adjustments	•	•	•	•	-	-	•	-
Front Passenger Seat Fold-Down Seat Back	•	•	-	-	-	-	-	-
Power 10-Way Driver & Power 4-Way Front Passenger Seat w/Recline, Fore/Aft, Lumbar Support, Cushion-Height Adjustments, Driver Seat Memory System	-	-	-	-	-	•	-	•
60/40 Split Rear Bench Seat w/Fold-Up Seat Cushions	-	-	•	•	•	•	-	-
60/40 Split Rear Bench Seat w/Slide, Recline, Fold-Down Seat Back & Centre Armrest	-	-	-	-	-	-	•	•
All-Position Vertically Adjustable Headrests	•	•	•	•	•	•	•	•
Power Door Locks	-	-	•	•	•	•	•	•
Power Windows w/Driver Side Auto-Down	-	-	•	•	•	•	•	•
Fixed Rear Window	•	•	•	•	-	-	-	-
Sliding Rear Window	-	-	-	-	•	-	-	-
Power Sliding Rear Window	-	-	-	-	-	•	-	-
Power Vertical Sliding Rear Window	-	-	-	-	-	-	•	•
Voltmeter, Water Temperature Gauge, Dual Trip Odometer, Tachometer	•	•	•	•	•	•	•	•
Outside Temperature Gauge, Automatic Transmission Oil Temperature Gauge	-	-	-	-	•	•	•	•
Optitron Gauges, Multi-Information Display	-	-	-	-	-	•	-	•
Trip Computer	-	-	-	-	•	•	•	•
Dual Vanity Mirrors	-	-	•	•	•	-	•	-
Auto-Dimming Rear View Mirror w/Digital Compass	-	-	-	-	•	-	•	-
Dual Illuminated Vanity Mirrors, Auto-Dimming Rear View Mirror w/Digital Compass & Backup Camera	-	-	-	-	-	•	-	•

• = Standard -- = Not Available

Regular Cab Double Cab CrewMax

INTERIOR (cont'd)

	Regular Cab		Double Cab			CrewMax		
	Std	Long	Std	SRS Std	Long	Ltd Std	SRS Short	Ltd Short
	5.7L	5.7L	4.6L	5.7L	5.7L	5.7L	5.7L	5.7L
Fabric Door Trim	-	-	•	•	•	-	•	-
Simulated Leather Door Trim	-	-	-	-	-	•	-	•
Woodgrain Trim	-	-	-	-	-	•	-	•
Silver Painted Inner Door Handles	-	-	-	-	-	•	-	•
4-Spoke Tilt Steering Wheel	•	•	•	•	-	-	-	-
4-Spoke Tilt & Telescopic Steering Wheel	-	-	-	-	•	-	•	-
4-Spoke Power Tilt & Telescopic Steering Wheel w/Memory	-	-	-	-	-	•	-	•
Vinyl Floor	•	•	-	-	-	-	-	-
Carpeting, Carpet Floor Mats	-	-	•	•	•	•	•	•
Cruise Control, Digital Clock	•	•	•	•	•	•	•	•
Front Console Storage Box w/Lid, Overhead Console Box	-	-	-	-	•	•	•	•
Front Passenger Seat Back Pockets	-	-	-	-	-	-	•	•
Under Rear Seat Storage Trays	-	-	-	-	•	-	-	-
Integrated Garage Door Opener	-	-	-	-	•	•	•	•
Front Cupholders	•	•	-	-	-	-	-	-
Front & Rear Cupholders	-	-	•	•	•	•	•	•
Retained Accessory Power	-	-	•	•	•	•	•	•
Accessory Power Outlet (12V)	•	•	•	•	•	•	•	•
Front Door Courtesy Lamps, Keyless Entry	-	-	•	•	•	•	•	•
Illuminated Entry	•	•	•	•	•	•	•	•

SAFETY

Dual-Stage Driver & Passenger Airbag Supplemental Restraint System (SRS) ¹	•	•	•	•	•	•	•	•
Front Passenger Airbag Occupancy Classification Indicator	•	•	•	•	•	•	•	•
Front Seat-Mounted Side Airbags (SRS) ¹	•	•	•	•	•	•	•	•
Front Knee Airbags (SRS) ¹	•	•	•	•	•	•	•	•
Roll-Sensing Front Head/Side Curtain Airbags (SRS) ¹	•	•	-	-	-	-	-	-
Roll-Sensing Front & Rear Head/Side Curtain Airbags (SRS) ¹	-	-	•	•	•	•	•	•
Head/Side Curtain Airbags Off Switch	•	•	•	•	•	•	•	•
Front Passenger Airbag Off Switch	•	•	-	-	-	-	-	-
Child Protector Rear Door Locks	-	-	•	•	•	•	•	•
Anchor Points for Child Restraint Seats	•	•	•	•	•	•	•	•
All-Position 3-Point Lap & Shoulder Belts	•	•	•	•	•	•	•	•
Adjustable "B" Pillar Shoulder Belt Anchors	•	•	•	•	•	•	•	•
Front Tow Hook	•	•	•	•	•	•	•	•
Vehicle Anti-Theft System	-	-	-	-	-	•	-	•
Engine Immobilizer	•	•	•	•	•	•	•	•
Front & Rear Clearance Sonar	-	-	-	-	-	•	-	•
Automatic Transmission Oil Temperature, Low Fuel, Low Washer Fluid & Door Ajar Warning Indicators	•	•	•	•	•	•	•	•
Direct Tire Pressure Monitoring System	•	•	•	•	•	•	•	•

2011 Tundra 4x4 Features

	Regular Cab		Double Cab			CrewMax		
	Std	Long	Std	SRS Std	Long	Ltd Std	SRS Short	Ltd Short
EXTERIOR	5.7L	5.7L	4.6L	5.7L	5.7L	5.7L	5.7L	5.7L
18" Styled Steel Wheels	●	●	●	●	-	-	-	-
18" Aluminum Alloy Wheels, Wheel Locks	-	-	-	-	●	-	●	-
20" 5-Spoke Aluminum Alloy Wheels, Wheel Locks	-	-	-	-	-	●	-	●
Unique Alloy Wheels	-	-	-	-	-	-	-	●
8-Foot Cargo Bed	-	●	-	-	●	-	-	-
6.5-Foot Cargo Bed	●	-	●	●	-	●	-	-
5.5-Foot Cargo Bed	-	-	-	-	-	-	●	●
High Solar Energy Absorbing Window Glass	●	●	●	●	●	-	-	-
Rear Window Privacy Glass	-	-	-	-	●	●	●	●
Dual Heated, Power Adjustable Foldable Mirrors	●	●	●	●	●	●	●	●
Dual, Power Folding Auto-Dimming Side View Mirrors w/Integrated Signal Lamps & Memory System	-	-	-	-	-	●	-	●
Extendable Heated, Power Adjustable Mirrors w/Turn Signals	-	●	-	-	●	-	●	-
Front & Rear Splash Guards	●	●	●	●	●	●	●	●
Heavy Duty Tow Hitch Receiver, 4 Pin/7 Pin Trailer Wire Harness, Electronic Trailer Brake Control Connector, Class IV Weight Distribution Trailer Hitch	●	●	●	●	●	●	●	●
Black Door & Tailgate Handles	●	●	●	●	●	-	●	-
Black Resin Front Bumper, Black Steel Rear Step Bumper, Black Resin Front Grille	●	●	-	-	-	-	-	-
Coloured Resin Front Bumper	-	-	●	●	●	●	●	●
Chrome Grille, Chrome Rear Step Bumper	-	-	●	●	●	●	●	●
Limited Grade Front Grille	-	-	-	-	-	●	-	●
Chrome Mirrors & Chrome Finished Door Handles	-	-	-	-	-	-	●	-
Power Tilt/Slide Moonroof w/Sunshade	-	-	-	-	-	-	-	●
2-Speed Wipers, Windshield Wiper De-Icer	●	●	-	-	-	-	-	-
Variable Intermittent Wipers, Windshield Wiper De-Icer	-	-	●	●	●	●	●	●
Electric Rear Window Defroster	-	-	-	-	-	-	●	●
Automatic Headlamp System	-	-	-	-	-	●	-	●
Adjustable Headlamp Levelling System	-	-	-	-	●	●	●	●
Automatic Headlamp Cancel Function	●	●	●	●	●	-	●	-
Fog Lamps	-	-	-	-	●	●	●	●
Bed Rail Caps, Cargo Bed Tie-Downs	●	●	●	●	●	●	●	●
Easy Lower & Lift Tailgate Removable Locking Tailgate	●	●	●	●	●	●	●	●
Bed Rail System, Tie-Down Cleats (Set of 4)	-	-	-	-	-	●	●	●

● = Standard ○ = Optional -- = Not Available

	Regular Cab		Double Cab			CrewMax		
	Std	Long	Std	SRS Std	Long	Ltd Std	SRS Short	Ltd Short
PACKAGES	5.7L	5.7L	4.6L	5.7L	5.7L	5.7L	5.7L	5.7L

Regular Cab TRD Off-Road Package:

Bed Rail System, Tie-Down Cleats, Keyless Entry, Power Door Locks & Windows w/Driver Side Auto Down, Console Mounted Gate-Type Shifter Lever, Tilt & Telescopic Steering Wheel, Integrated XM® Satellite Radio, Bluetooth® Capability, Steering Wheel Audio Controls, USB Audio Input, Front Bucket Seats w/Recline, Sliding Rear Window, Front Console Box, Auto-Dimming Rear View Mirror w/Digital Compass, Carpeting, Carpet Floor Mats, Vehicle Anti-Theft System, Integrated Garage Door Opener, Colour-Keyed & Chrome Front Bumper, Chrome Grille & Rear Step Bumper, Variable Intermittent Wipers, 18" Aluminum Alloy Wheels w/Wheel Locks, P275/65R18 Raised White Letter Tires, Premium Cloth Seats, Front & Rear Bilstein Shock Absorbers, Outside Temperature Gauge, Automatic Transmission Oil Temperature Gauge, SR5 Badges, Fog Lamps, TRD Decals, Silver Accented Instrument Panel, Rear Privacy Glass, Fuel Tank Protector, Footwell Lamp, Glove Box Lamp

Regular Cab SR5 Package:

Bed Rail System, Power Door Locks & Windows w/Driver Side Auto Down, Keyless Entry, Sliding Rear Window, Premium Cloth Seats, Colour-Keyed & Chrome Front Bumper, Chrome Grille & Rear Step Bumper, Variable Intermittent Wipers, Carpeting, Carpet Floor Mats, 18" Aluminum Alloy Wheels w/Wheel Locks, P275/65R18 Tires, SR5 Badges, Silver Accented Instrument Panel, Rear Privacy Glass, Footwell Lamp, Glove Box Lamp

Double Cab Upgrade Package:

Front Bucket Seats, Power 8-Way Driver Seat, Console Mounted Gate-Type Shifter Lever, Tilt & Telescopic Steering Wheel, Rear Privacy Glass, Overhead Console Box, Sliding Rear Window, Front Console Box, Auto-Dimming Rear View Mirror w/Digital Compass, 18" Aluminum Alloy Wheels w/Wheel Locks, P275/65R18 Tires, Trip Computer, Under Rear Seat Storage Trays, Integrated Garage Door Opener, Fog Lamps, Adjustable Headlamp Levelling System, Integrated XM® Satellite Radio, Bluetooth® Capability, Steering Wheel Audio Controls, USB Audio Input, Vehicle Anti-Theft System, Front & Rear Clearance Sonar, Bed Rail System, Tie-Down Cleats

Double Cab TRD Off-Road Package:

Upgrade Package plus: Front & Rear Bilstein Shock Absorbers, Tie-Down Cleats, Power Sliding Rear Window, Raised White Letter Tires, Unique Alloy Wheels, TRD Decals

	Regular Cab		Double Cab			CrewMax		
	Std	Long	Std	SRS Std	Long	Ltd Std	SRS Short	Ltd Short
PACKAGES (cont'd)	5.7L	5.7L	4.6L	5.7L	5.7L	5.7L	5.7L	5.7L

Double Cab Leather & Navigation Package:

Upgrade Package plus: DVD Based Navigation System⁵ Power Sliding Rear Window, Leather Seat Surfaces, Heated Front Seats, Front & Rear Clearance Sonar

Double Cab Long Bed Upgrade Package:

Bed Rail System, Tie-Down Cleats, Power Sliding Rear Window, Front & Rear Clearance Sonar, Vehicle Anti-Theft System

Double Cab LTD Navigation Package:

DVD-Based Navigation System⁵ w/Backup Camera, 7.0" LCD Display, XM® Real-Time Traffic Capability,⁵ 4-Disc CD Changer (Delete 6-Disc CD Changer)

CrewMax - 4x4 TRD Off-Road Package:

Front & Rear Bilstein Shock Absorbers, P275/65R18 Raised White Letter Tires, Unique Alloy Wheels, Front & Rear Clearance Sonar, Power Moonroof, Auto-Dimming Rear View Mirror w/Backup Camera & Digital Compass, Vehicle Anti-Theft System, TRD Decals, Fuel Tank Protector

CrewMax Platinum Package:

Perforated Leather Seat Surfaces, Driver & Front Passenger Heated & Ventilated Bucket Seats, Power Front Windows w/Auto Up/Down, Chrome Inner Door Handles, 20" Multi-Spoke Aluminum Alloy Wheels, Colour-Keyed & Chrome Front Bumper, Silver Accented Instrument Panel, Woodgrain & Leather-Wrapped Steering Wheel

CrewMax LTD Navigation Package:

Platinum Package plus: DVD-Based Navigation System⁵ w/Backup Camera, 7.0" LCD Display, XM® Real-Time Traffic Capability,⁵ 4-Disc CD Changer (Delete 6-Disc CD Changer)

Bed Liner Package :

Bed Liner

2011 Tundra 4x4 Specifications

	Regular Cab		Double Cab			CrewMax		
	Std	Long	Std	SRS Std	Long	Ltd Std	SRS Short	Ltd Short
MECHANICAL	5.7L	5.7L	4.6L	5.7L	5.7L	5.7L	5.7L	5.7L

Engine

4.6 Litre, i-FORCE V8, DOHC, 32-Valve, Dual Variable Valve Timing w/Intelligence (Dual VVT-i), Sequential Multiport Electronic Fuel Injection, Engine Oil Cooler

5.7 Litre, i-FORCE V8, DOHC, 32-Valve, Dual Variable Valve Timing w/Intelligence (Dual VVT-i), Sequential Multiport Electronic Fuel Injection, Engine Oil Cooler

Compression Ratio

10.2:1

Horsepower

310 hp [231 kW] @ 5,600 rpm

381 hp [284 kW] @ 5,600 rpm

Torque

327 lb.ft. [443 N.m.] @ 3,400 rpm

401 lb.ft. [544 N.m.] @ 3,600 rpm

Suspension

Front: Independent Coil Springs, High-mounted, Double-Wishbone w/Stabilizer Bar & Gas-Filled Shock Absorbers

Rear: Rear Live Axle w/Multi-Leaf Spring Suspension & Staggered Outboard-Mounted Gas-Filled Shock Absorbers

Front/Rear: Bilstein Shock Absorbers

Drivetrain

Automatic Limited Slip Rear Differential, Vehicle Stability Control (VSC) w/Active Traction Control (A-TRAC), One-Touch 4WD, Engine & Transfer Case Protector Plates, Engine Undercover

Transmission

6-Speed, Automatic, Super Electronically Controlled Transmission (Super ECT), Sequential Shift Mode, Overdrive, Tow/Haul Mode, Lock-Up Torque Converter

Transmission Cooler, Automatic Transmission Fluid Warmer

Column Shifter

Console Mounted Gate-Type Shifter

Brakes

Power-Assisted, 4-Wheel Ventilated Discs, Antilock Braking System (ABS) w/Electronic Brake-force Distribution (EBD), Brake Assist (BA), 14" Front Wheel Discs

Steering

Rack & Pinion w/Variable Power Assist

Tires

P255/70R18, All-Season Radials, Temporary Spare w/Steel Wheel

P275/65R18, All-Season Radials, Temporary Spare w/Steel Wheel

P275/65R18, Raised White Letter Tires, Temporary Spare w/Steel Wheel

P275/55R20, All-Season Radials, P255/70R18 Temporary Spare w/Steel Wheel

2011 Tundra 4x4 Specifications

		Regular Cab		Double Cab			CrewMax		
		Std	Long	Std	SRS Std	Long	Ltd	SRS Short	Ltd Short
DIMENSIONS	mm (in.)	5.7L	5.7L	4.6L	5.7L	5.7L	5.7L	5.7L	5.7L
Length	5329 (209.8)	•	-	-	-	-	-	-	-
	5810 (228.7)	-	•	•	•	-	•	•	•
	6290 (247.6)	-	-	-	-	•	-	-	-
Width	2030 (79.9)	•	•	•	•	•	•	•	•
Height (Unloaded)	1935 (76.2)	•	•	-	-	•	-	-	-
	1940 (76.3)	-	-	•	•	-	•	•	•
Cargo Bed Length	2480 (97.6)	-	•	-	-	•	-	-	-
	2000 (78.7)	•	-	•	•	-	•	-	-
	1695 (66.7)	-	-	-	-	-	-	•	•
Cargo Bed Width (Between Wheel Wells)	1270 (50.0)	•	•	•	•	•	•	•	•
Cargo Bed Depth	564 (22.2)	•	•	•	•	•	•	•	•
Wheelbase	3220 (126.8)	•	-	-	-	-	-	-	-
	3700 (145.6)	-	•	•	•	-	•	•	•
	4180 (164.5)	-	-	-	-	•	-	-	-
Track	Front: 1725 (67.9)	•	•	•	•	•	•	•	•
	Rear: 1725 (67.9)	•	•	•	•	•	•	•	•
Seating Capacity	2	○	-	-	-	-	-	-	-
	3	•	•	-	-	-	-	-	-
	5	-	-	○	○	•	•	•	•
	6	-	-	•	•	-	-	-	-
Headroom	Front: 1021 (40.2)	•	•	•	•	•	•	•	•
	Rear: 983 (38.7)	-	-	•	•	•	•	•	•
Legroom	Front: 1079 (42.5)	•	•	•	•	•	•	•	•
	Rear: 882 (34.7)	-	-	•	•	•	-	-	-
	Rear: 1131 (44.5)	-	-	-	-	-	-	•	•
Shoulder Room	Front: 1692 (66.6)	•	-	•	•	•	•	•	•
	Front: 1694 (66.7)	-	•	-	-	-	-	-	-
	Rear: 1668 (65.7)	-	-	•	•	•	•	-	-
	Rear: 1662 (65.4)	-	-	-	-	-	-	•	•
Ground Clearance	275 (10.8)	•	-	•	-	-	-	-	-
	270 (10.6)	-	•	-	•	•	-	•	-
	265 (10.4)	-	-	-	-	-	-	•	•
Approach Angle (degrees)	28	•	•	-	-	-	-	-	•
	29	-	-	•	•	•	•	•	-
Departure Angle (degrees)	27	•	-	-	-	-	-	-	-
	21	-	•	-	-	-	-	-	-
	20	-	-	•	•	•	•	•	•

• = Standard ○ = Optional -- = Not Available

2011 Tundra 4x2 Features

		Regular Cab		Double Cab		
		Long	SRS	Std	Long	SRS
INTERIOR		5.7L	4.6L	5.7L	5.7L	5.7L
AM/FM CD/MP3/WMA Player, 4-Speakers, Audio Auxiliary Input Jack, Antenna Pole		•	-	-	-	-
AM/FM CD/MP3/WMA Player, 6-Speakers, Audio Auxiliary Input Jack, Antenna Pole		-	•	-	-	-
AM/FM CD/MP3/WMA Player, 6-Speakers, Audio Auxiliary Input Jack, Integrated XM® Satellite Radio, Bluetooth® Capability, Steering Wheel Audio Controls, USB Audio Input, Antenna Pole		-	-	•	-	-
Dual Zone Climate Control, Cabin Air Filter		•	•	•	-	-
Rear Seat Heater Ducts		-	•	•	-	-
Full Fabric Seat Material		•	-	-	-	-
Premium Cloth Seat Material		-	•	•	-	-
40/20/40 Split Front Bench Seat		•	•	-	-	-
Driver & Front Passenger Bucket Seats		-	-	•	-	-
Driver Seat w/Recline, Fore/Aft Adjustments		•	•	-	-	-
Driver Seat Cushion-Height Adjustment		-	•	-	-	-
Power 8-Way Driver Seat w/Recline, Fore/Aft, Cushion-Height Adjustments		-	-	•	-	-
Front Passenger Seat w/Recline, Fore/Aft Adjustments		•	•	•	-	-
Front Passenger Seat Fold-Down Seat Back		•	-	-	-	-
60/40 Split Rear Bench Seat w/Fold-Up Seat Cushions		-	-	•	-	-
All-Position Vertically Adjustable Headrests		•	•	•	-	-
Power Door Locks		-	•	•	-	-
Power Windows w/Driver Side Auto-Down		-	•	•	-	-
Fixed Rear Window		•	•	-	-	-
Sliding Rear Window		-	-	•	-	-
Voltmeter, Water Temperature Gauge, Dual Trip Odometer, Tachometer, Automatic Transmission Oil Temperature Gauge		•	•	•	-	-
Outside Temperature Gauge		-	•	•	-	-
Dual Vanity Mirrors		-	•	•	-	-
Auto-Dimming Rear View Mirror w/Digital Compass		-	-	•	-	-
4-Spoke Tilt Steering Wheel		•	•	-	-	-
4-Spoke Tilt & Telescopic Steering Wheel		-	-	•	-	-
Fabric Door Trim		-	•	•	-	-
Vinyl Floor		•	-	-	-	-
Carpeting, Carpet Floor Mats		-	•	•	-	-
Cruise Control		•	•	•	-	-
Digital Clock		•	•	•	-	-
Front Console Storage Box w/Lid, Overhead Console Box		-	-	•	-	-
Under Rear Seat Storage Trays		-	-	•	-	-
Integrated Garage Door Opener		-	-	•	-	-
Overhead Sunglass Storage		•	•	•	-	-
Front Cupholders		•	-	-	-	-
Front & Rear Cupholders		-	•	•	-	-
Retained Accessory Power		-	•	•	-	-
Accessory Power Outlet (12v)		•	•	•	-	-
Footwell Lamp, Glove Box Lamp		-	•	•	-	-
Map Lamps		-	-	•	-	-
Keyless Entry		-	•	•	-	-
Illuminated Entry		•	•	•	-	-

EXTERIOR

	Regular Cab	Double Cab	
	Long	SRS	Long
18" Styled Steel Wheels	•	•	-
18" Aluminum Alloy Wheels, Wheel Locks	-	-	•
8-Foot Cargo Bed	•	-	•
6.5-Foot Cargo Bed	-	•	-
High Solar Energy Absorbing Window Glass	•	•	•
Rear Window Privacy Glass	-	-	•
Foldable Mirrors	•	•	•
Dual Heated Power Adjustable Mirrors	-	•	-
Extendable Heated, Power Adjustable Mirrors w/Turn Signals	•	-	-
Front & Rear Splash Guards	•	•	•
Heavy Duty Tow Hitch Receiver, 4 Pin/7 Pin Trailer Wire Harness, Electronic Trailer Brake Control Prewire, Class IV Weight Distribution Trailer Hitch	•	•	•
Black Door & Tailgate Handles	•	•	•
Black Resin Front Bumper	•	-	-
Coloured Resin Front Bumper	-	•	-
Black Resin Front Grille	•	-	-
Chrome Grille	-	•	•
Black Steel Rear Step Bumper	•	-	-
Chrome Steel Rear Step Bumper	-	•	•
2-Speed Wipers, Windshield Wiper De-Icer	•	-	-
Variable Intermittent Wipers, Windshield Wiper De-Icer	-	•	•
Adjustable Headlamp Levelling System	-	-	-
Automatic Headlamp Cancel Function	•	•	•
Fog Lamps	-	-	•
Bed Rail Caps	•	•	•
Easy Lower & Lift Tailgate, Removable Locking Tailgate	•	•	•

2011 Tundra 4x2 Features

	Regular Cab		Double Cab	
	Long	Std	SRS	
	5.7L	4.6L	5.7L	
SAFETY				
Dual-Stage Driver & Passenger Airbag Supplemental Restraint System (SRS) ¹	•	•	•	
Front Passenger Airbag Occupancy Classification Indicator	•	•	•	
Front Seat-Mounted Side Airbags (SRS) ¹	•	•	•	
Front Knee Airbags (SRS) ¹	•	•	•	
Roll-Sensing Front Head/Side Curtain Airbags (SRS) ¹	•	–	–	
Roll-Sensing Front & Rear Head/Side Curtain Airbags (SRS) ¹	–	•	•	
Front Passenger Airbag Off Switch	•	–	–	
Head/Side Curtain Airbags Off Switch	•	•	•	
Child Protector Rear Door Locks	–	•	•	
Anchor Points for Child Restraint Seats	•	•	•	
All-Position 3-Point Lap & Shoulder Belts	•	•	•	
Adjustable "B" Pillar Shoulder Belt Anchors	•	•	•	
Engine Immobilizer	•	•	•	
Automatic Transmission Oil Temperature, Low Fuel, Low Washer Fluid & Door Ajar Warning Indicators	•	•	•	
Direct Tire Pressure Monitoring System	•	•	•	
PACKAGES				
Regular Cab SR5 Package:				
Bed Rail System, Tie-Down Cleats, Power Door Locks & Windows, Silver Accented Instrument Panel Centre Cluster, Keyless Entry, Sliding Rear Window, Rear Privacy Glass, Premium Cloth Seats, Colour-Keyed & Chrome Front Bumper, Chrome Grille & Rear Bumper, Variable Intermittent Wipers, Carpeting, Carpet Floor Mats, 18" Aluminum Alloy Wheels w/Wheel Locks, P275/65R18 Tires, Automatic Transmission Oil Temperature Gauge, Outside Temperature Gauge	○	–	–	
Double Cab SR5 Package:				
Front Bucket Seats, Power 8-Way Driver Seat, Console Mounted Gate-Type Shifter Lever, Tilt & Telescopic Steering Wheel, Rear Privacy Glass, Overhead Console Box, Sliding Rear Window, Front Console Box, Auto-Dimming Rear View Mirror w/Digital Compass, 18" Aluminum Alloy Wheels w/Wheel Locks, P275/65R18 Tires, Under Rear Seat Storage Trays, Integrated Garage Door Opener, Fog Lamps, Map Lamps, Integrated XM® Satellite Radio, Bluetooth** Capability, Steering Wheel Audio Controls, 6-Speaker Audio System, Silver Accented Instrument Panel Centre Cluster, Engine Undercover	–	○	–	
Bed Liner Package :				
Bed Liner	○	○	○	

2011 Tundra 4x2 Specifications

	Regular Cab		Double Cab	
	Long	Std	SR5	
	5.7L	4.6L	5.7L	
MECHANICAL				
Engine				
4.6 Litre, i-FORCE V8, DOHC, 32-Valve, Dual Variable Valve Timing w/Intelligence (Dual VVT-i), Sequential Multiport Electronic Fuel Injection, Engine Oil Cooler	–	•	–	
5.7 Litre, i-FORCE V8, DOHC, 32-Valve, Dual Variable Valve Timing w/Intelligence (Dual VVT-i), Sequential Multiport Electronic Fuel Injection, Engine Oil Cooler	•	–	•	
Compression Ratio				
10.2:1	•	–	•	
Horsepower				
310 hp (231 kW) @ 5,600 rpm	–	•	–	
381 hp (284 kW) @ 5,600 rpm	•	–	•	
Torque				
327 lb.ft. (443 N.m.) @ 3,400 rpm	–	•	–	
401 lb.ft. (544 N.m.) @ 3,600 rpm	•	–	•	
Suspension				
Front: Independent Coil Springs, High-mounted, Double-Wishbone w/Stabilizer Bar & Gas-Filled Shock Absorbers	•	•	•	
Rear: Rear Live Axle w/Multi-Leaf Spring Suspension & Staggered Outboard-Mounted Gas-Filled Shock Absorbers	•	•	•	
Drivetrain				
Automatic Limited Slip Rear Differential, Vehicle Stability Control (VSC), Traction Control (TRAC)	•	•	•	
Transmission				
6-Speed, Automatic, Super Electronically Controlled Transmission (Super ECT), Sequential Shift Mode, Overdrive, Tow/Haul Mode, Lock-Up Torque Converter	•	•	•	
Transmission Cooler, Automatic Transmission Fluid Warmer	•	•	•	
Column Shifter	•	•	–	
Console Mounted Gate-Type Shifter	–	○	•	
Brakes				
Power-Assisted, 4-Wheel Ventilated Discs, Antilock Braking System (ABS) w/Electronic Brake-force Distribution (EBD), Brake Assist (BA)	•	•	•	
Steering				
Rack & Pinion w/Variable Power Assist	•	•	•	
Tires				
P255/70R18, All-Season Radials, Temporary Spare w/Steel Wheel	•	•	–	
P275/65R18, All-Season Radials, Temporary Spare w/Steel Wheel	○	○	•	

• = Standard ○ = Optional – = Not Available

	<i>mm (in.)</i>	Regular Cab		Double Cab	
		Long	Std	SR5	
		5.7L	4.6L	5.7L	
DIMENSIONS					
Length					
	5810 (228.7)	•	•	–	
	6290 (247.6)	–	–	•	
Width	2030 (79.9)	•	•	•	
Height (Unloaded)					
	1925 (75.7)	•	–	•	
	1930 (75.9)	–	•	–	
Cargo Bed Length					
	2480 (97.6)	•	–	•	
	2000 (78.7)	–	•	–	
Cargo Bed Width (Between Wheel Wells)	1270 (50.0)	•	•	•	
Cargo Bed Depth	564 (22.2)	•	•	•	
Wheelbase					
	3700 (145.6)	•	•	–	
	4180 (164.5)	–	–	•	
Track					
	Front: 1725 (67.9)	•	•	•	
	Rear: 1725 (67.9)	•	•	•	
Seating Capacity					
	3	•	–	–	
	5	–	○	•	
	6	–	•	–	
Headroom					
	Front: 1021 (40.2)	•	•	•	
	Rear: 983 (38.7)	–	•	•	
Legroom					
	Front: 1079 (42.5)	•	•	•	
	Rear: 882 (34.7)	–	•	•	
Shoulder Room					
	Front: 1694 (66.7)	•	–	–	
	Front: 1692 (66.6)	–	•	•	
	Rear: 1668 (65.7)	–	•	•	
Ground Clearance					
	265 (10.4)	•	•	–	
	260 (10.2)	–	–	•	
Approach Angle (<i>degrees</i>)					
	27	•	–	–	
	28	–	•	•	
Departure Angle (<i>degrees</i>)					
	21	•	–	–	
	20	–	•	•	

Toyota Canada Inc. Every effort has been made to ensure the specifications and equipment shown are accurate based on information available at time of printing. In some cases, certain changes in production capacity, standard equipment, options or product delays may occur which would not be reflected in this brochure. Toyota Canada Inc. reserves the right to make these changes without notice or obligation. The Toyota website toyota.ca – or your Toyota Dealer is your best source for up-to-date information.

	<i>kg (lb.)</i>	Regular Cab		Double Cab	
		Long	Std	SR5	
		5.7L	4.6L	5.7L	
CURB WEIGHT					
	2226 (4910)	•	–	–	
	2306 (5085)	–	•	–	
	2430 (5355)	–	–	•	
TOWING CAPACITY	<i>kg (lb.)</i>				
	4895 (10800)	•	–	–	
	3900 (8600)	–	•	–	
	4715 (10400)	–	–	•	
PAYLOAD ³	<i>kg (lb.)</i>				
	860 (1900)	•	–	–	
	605 (1340)	–	•	–	
	655 (1455)	–	–	•	
TURNING CIRCLE	<i>m (ft.)</i>				
	13.4 (44.0)	•	•	–	
	14.9 (49.0)	–	–	•	
FUEL CAPACITY	<i>litres (gal)</i>				
	100 (22)	•	•	•	
FUEL CONSUMPTION RATING ²	<i>L/100 km</i>	<i>mpg (imperial gallon)</i>			
City/Highway/Combined	14.1/9.9/12.2	20/29/23		–	•
	15.2/10.9/13.3	19/26/21		•	–

¹All Toyota vehicles shown in this brochure, have Supplemental Restraint Systems (SRS) which, depending on the model, may include driver and front passenger airbags, a driver's knee airbag, front seat-mounted side airbags or side curtain airbags. For important safety information about the Supplemental Restraint System in a vehicle, please see the Owner's Manual or contact your local Toyota Dealer.

²These estimates are based on the Government of Canada's approved criteria and testing methods. The actual fuel consumption of this vehicle may vary. Refer to the Government of Canada publication *EnerGuide Fuel Consumption Guide*.

³Payload = Passengers, Equipment, Luggage and Cargo.

⁴Toyota tests certain phones for compatibility with Bluetooth technology. Some vehicles equipped with Bluetooth technology are available with bilingual capability. Note that the recommendation of Toyota is not a warranty of the performance for any phone and that some problems may occur with any type of handset based on the service coverage available in your area. Please see your Toyota Dealer for details.

⁵The Toyota DVD based Navigation system is designed to assist in locating an address or point of interest. Discrepancies may be encountered between the system and your actual location. Changes in street names, road closures, traffic flow or other road system changes may affect the accuracy of the mapping software. Rely on your common sense to decide whether or not to follow a specified route. Detailed coverage is not available in every city. Optional periodic geographic updates are available at an additional cost. The Navigational systems in some vehicles are available with bilingual capability. Please see your Navigation system Owner's Manual and your Toyota Dealer for further details.



Yaris Hatchback



Camry Hybrid



RAV4



4Runner



Yaris



Prius



Highlander



Sequoia



Corolla



Venza



Highlander Hybrid



Tacoma



Matrix



Avalon



FJ Cruiser



Tundra

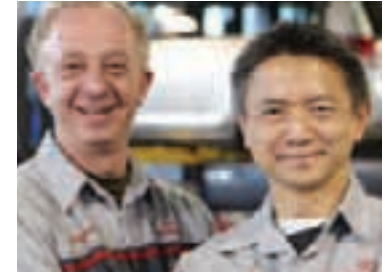


Camry



Sienna

Our Toyota dealers realize that building a lasting relationship is about more than just selling a vehicle. That's why our approachable staff is always happy to assist you, whatever your need may be. To find a Dealer nearest you, visit toyota.ca



Toyota recognizes its duty to safeguard the environment. Please recycle.

