

In Section L:	Fresh Water Line	Filters	Winterizing	Pumps	Faucet & Shower	Sink & Drain	Holding Tanks	Drain Valves & Fittings	Drain Hose	Chemicals & Toilets
---------------	------------------	---------	-------------	-------	-----------------	--------------	---------------	-------------------------	------------	---------------------

POLY TANK INLET OR VENT

Rubber fittings for polyethylene (not ABS) tanks.



Polyethylene Tank Inlet:
21288 1½" #91 1
21289 2" #OR-24 10
21290 3" #93 1

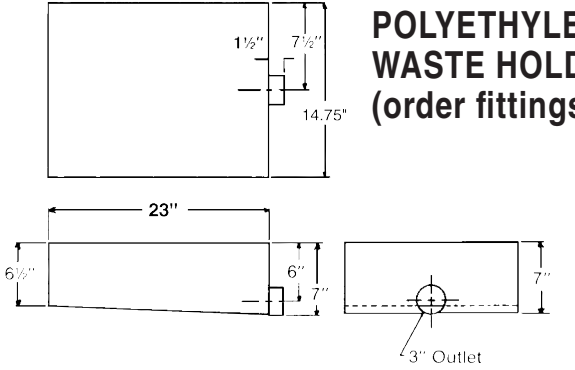
JR PRODUCTS FLUSH SLIP FITTING

Flush fittings will bond directly to the surface of the tank.



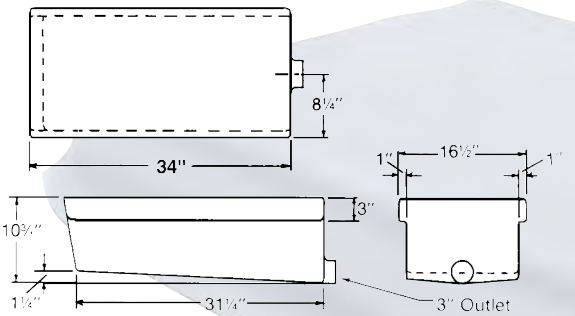
21670 2" I.D. Hub Vent, Packaged #217-A 5

POLYETHYLENE WASTE HOLDING TANKS (order fittings separately)



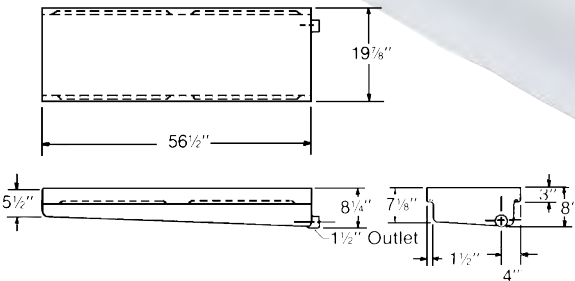
8.7 GAL. HOLDING TANK WITHOUT FITTINGS

23715 8.7 Gallon Tank #H469 1



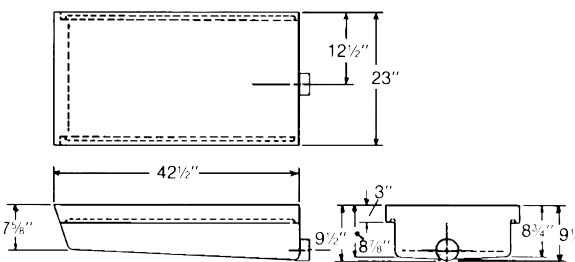
18.5 GAL. HOLDING TANK W/O FITTINGS

23719 18.5 Gallon Tank #H514 1



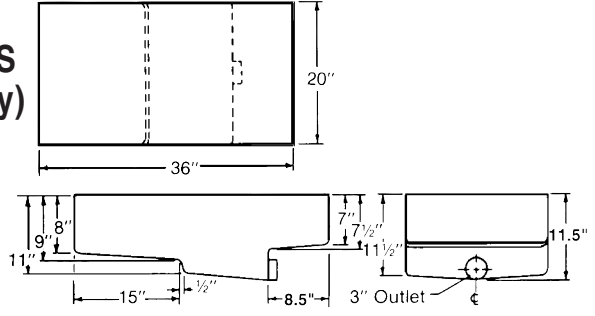
23 GAL. HOLDING TANK WITHOUT FITTINGS

23701 23 Gallon Tank #H136 1



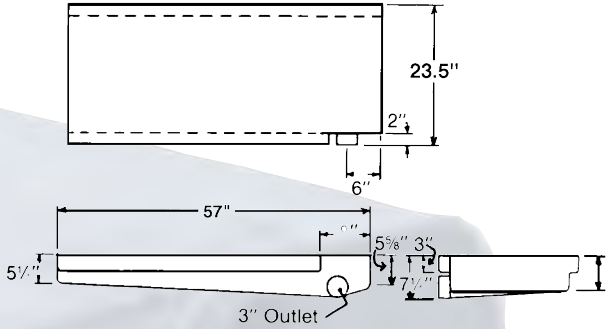
24 GAL. HOLDING TANK WITHOUT FITTINGS

23727 24 Gallon Tank #H094 1



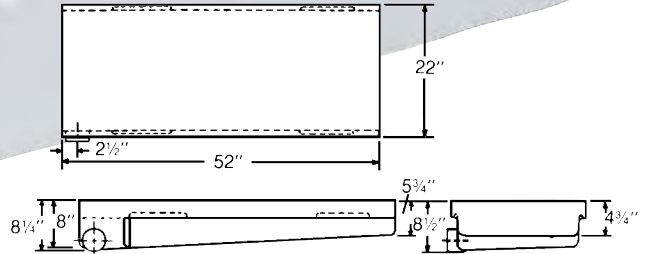
25 GAL. HOLDING TANK WITHOUT FITTINGS

23722 25 Gallon Tank #H537 1



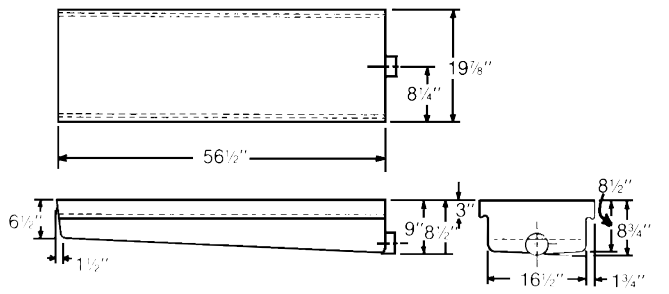
26 GAL. HOLDING TANK WITHOUT FITTINGS

23712 26 Gallon Tank #H141 1



27 GAL. HOLDING TANK WITHOUT FITTINGS

23721 27 Gallon Tank #H052 1

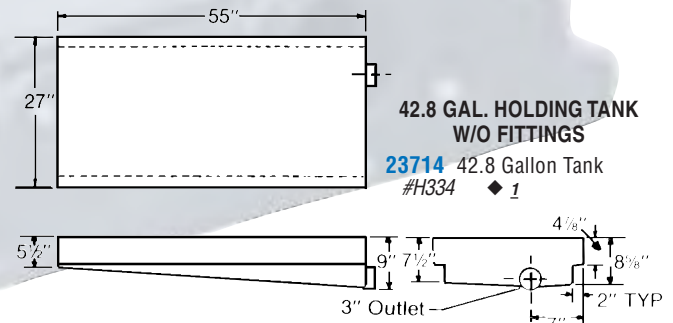
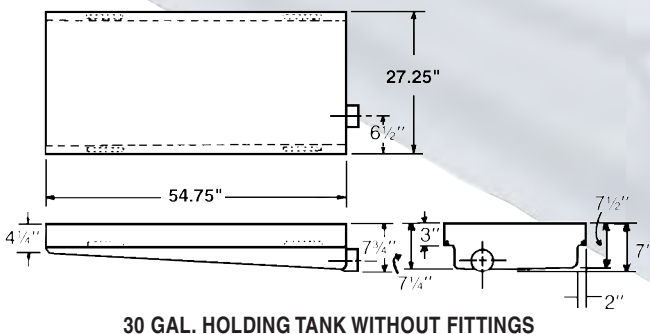
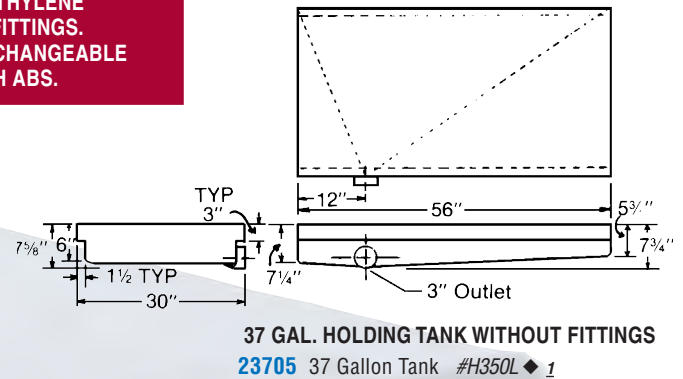
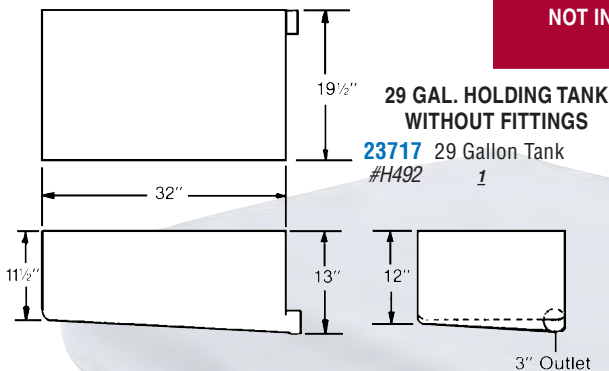


27 GAL. HOLDING TANK WITHOUT FITTINGS

23726 27 Gallon Tank (3" outlet) #H086 1

POLYETHYLENE WASTE HOLDING TANKS WITHOUT FITTINGS

SEE PREVIOUS PAGE FOR POLYETHYLENE TANK FITTINGS. NOT INTERCHANGEABLE WITH ABS.



CP PRODUCTS TANK PROBE

Use this sensor with your tank monitor panel. The probe works with fresh or waste water tanks, and is easy to install—just drill a hole in the tank, insert the probe and screw closed for a water tight seal.



21886 Tank Probe Well Nut #MP5 120

BRI-RUS SPECIALTY RECREATION

BRI-RUS SELF-SEALING WATER TANK FITTING

- 1/2 inch barb.
- Self-sealing fitting.
- Fits in a 7/8 inch hole.
- Made in the USA.
- Directions for Installation:
 - Drill a 7/8" hole at desired location.
 - Back the nut off to the end of threads.
 - Insert fitting into hole at a 45° angle, snap into place.
 - Pull down on fitting and slowly turn clockwise until snug and O ring is seated.



68655 Water Tank Fitting #TF-1 1



The Original - Popular since 1972.



Garden Hose Thread Terminal



ZEBRA RV ACCESSORIES COVERED BUCKET

HOLDING TANK FOR SINK AND BATH WASTE WATER



The Covered Bucket collapses into 2" x 10" x 10" for storage, yet holds more than 5 gallons (20 liters) of sink (grey) waste water. A positive shut-off valve prevents spills and the collapsible design means no venting is required. It comes with a 4 foot hose that attaches to your RV's male garden hose thread outlet. It is the least expensive model that meets all State and Campground Regulations for grey waste water disposal.

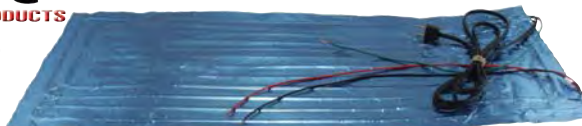
Packaged in a slim, shrink wrap package, a convenient hanging tab is provided for display hanging. Weighs less than 1 lb when empty.

20160 Covered Bucket, Grey Water Tank #R7701 12

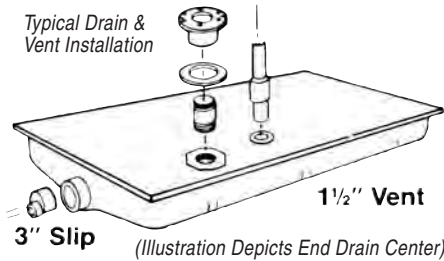
JR PRODUCTS HOLDING TANK HEATER



Holding tank heating element is an easy and practical way to winterize your RV tanks. Can be used on either fresh or septic tanks. Dual voltage ready for both 12 volt and 110 volt applications. Elements are thermostatically controlled and activate at approx. 34°F to stop the contents of your tank from freezing. 30" x 13" element is foil-covered heater; comes with a 24" ground wire for safety, 6' of 120 volt wiring for easy installation. Draws approx. 1-amp AC and 10-amps DC current when in use. Heats tanks up to 15 gallon size. Multiple elements can be used where needed.



14083 Holding Tank Heater (1 heater/ tank of 15 gallons) #HTH-A 2



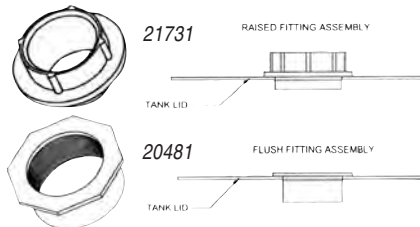
ABS WASTE HOLDING TANKS

Tough ABS plastic. Lightweight, uniform in size and design. 3" slip hub drain outlet. Lid flange standard with 1 1/4" - 1 1/2" all around.

28778 18-Gallon Tank, 16" x 46" x 9"; End Drain Right #HT179 1

28779 31-Gallon Tank, 24" x 48" x 9"; End Drain Right #HT198 1

NOTE: Order fittings separately.



ABS TANK FITTINGS (not for polyethylene)

20481 3" FPT Inlet; 3" Flush Threaded #154 1

21731 1-1/2" Vent; 1.5" Raised Slip #146 100



VERSACHEM HOLDING TANK REPAIR KIT

Professional holding tank repair kit stops leaks. Permanent. No tank removal necessary. Complete in minutes. Contains 3 epoxy pouches, fiberglass cloth, sandpaper, and application brush.

27306 Holding Tank Repair Kit #002-90213 6



PLASTIC TANK & RADIATOR REPAIR KIT

With a Seal-N-Place Repair Kit, ABS, polyethylene, or plastic tanks can be repaired permanently in minutes. Can also be used for skin or roof repairs on all types of RVs and mobile homes.

21326 Tank Repair Kit #002-90214 6



SHURflo MACERATOR 12V DC PUMP

Designed specifically for sanitation waste and fish box evacuation, SHURflo's Macerator pump features a premium impeller design with run-dry capability and includes our seamless shell e-coated motor with o-ring sealed end bells and sealed manual turn key. SHURflo's unique dual blade and housing construction ensures problem free pumping, providing superior performance in harsh marine environments. Performance: 0 psi: 13 GPM, 4 psi: 8 GPM, 8 psi: 6 GPM, 12 psi: 4 GPM, 16 psi: 0.0 GPM • Pump Type: Centrifugal • Inlet Port: 1-1/2" Barb/1-1/2" NPT • Outlet Port: 1.0" Barb • Liquid: 130 °F [54 °C] max • Prime: 4' [1.21 M] • Inlet PSI: 30 psi [2.1 bar] max • Run Dry: Yes - 3 minutes • 1-yr. Limited Warranty • Net Weight (Boxed): 6 Lbs.

28109 Macerator Pump 12V #3200-001 6

STICKNBOND TANK REPAIR KIT

STICKNBOND Aluminum is ideal for metal roofs, plastic and metal tank repair, ABS, polyethylene, fiberglass, aluminum, or any surface where tensile strength is desired and flexibility is not essential. It will never loose its adhesive quality.

46468 6" x 6" Aluminum Patch Kit #60009 12



BRI-RUS INSTA HOLDING TANK PATCH

Bonds To Polyethylene Holding Tanks

- Instantly repair holding tanks with this simple to use peel and stick patch.
- Formulated to bond with polyethylene tanks, ABS, PVC and similar plastics.
- No special tools needed.
- Creates a long lasting repair.

INSTRUCTIONS FOR BEST RESULTS:

- Start with a smooth dry surface.
- Wipe clean with acetone.
- Apply in temperatures above 55°F.
- Use a heat gun if necessary to warm surface and patch.
- Remove paper liner and apply patch to cracked area.
- Firmly apply patch and roll until texture is smooth.
- IT IS NOW READY TO GO.



RV FLUSHING HOSE

This hose is specifically made for waste water applications to connect gray water tanks to sewer inlet. Gray color eliminates confusion with fresh water hoses. Use with RV Hydroflush or other flushing applications.

1/2" Gray RV Flushing Hose:

27281 15' #W01-4180 6

28008 25' #W01-4300 10

TOTE TANK FILL HOSE

No more hassles with hard to reach hoses. 4' Tote Tank Filler Hose allows you to fill or drain your tote tanks quickly and easily. Gray color eliminates confusion with fresh water hoses.

27718 1/2" x 4' Tote Tank Fill Hose #W01-4048 10



BRI-RUS SPECIALTY RECREATION



20578 Insta Holding Tank Patch, Patch size 4" x 7" #TANK PATCH 12



FLOJETRV MACERATOR WASTE PUMP

- Neat and clean way to quickly evacuate waste tanks.
- Empty black-water and gray-water holding tanks at home.
- Grinds waste as it pumps.
- Built-in impeller protection device for longer life.
- Flow of up to 13 gpm for fast, clean holding tank evacuation.

The RV macerator pump from Flojet is designed to add flexibility to holding tank service. With the Flojet waste pump you can not only empty the black and grey water tanks at a conventional dump station, but also down a toilet, into your house sewer clean-out, septic tank or into a mobile waste wagon. The Flojet RV macerator pump will empty a typical 30-gallon holding tank in less than three minutes. The time increases somewhat as the distance pumped is increased beyond 25'. The pump will macerate and pump all waste and tissue normally found in RV waste systems. Put an end to handling and rinsing a dirty 3" sewer hose; instead use a cleaner, easier-to-handle garden hose. Now you can pump up-hill, and around corners. The RV waste pump will simplify and improve your RV experience!

- Empty holding tanks and avoid dump stations.
- Transfer waste from recirculating toilets to main holding tank. Easy to install: because it is self-priming, it may be located up to 4' above the tank liquid level. The intake port is designed to accept a 3" ID slip-on hose and the discharge port will accept a 1" ID hose. When installed, the macerator can be used to empty the holding tank into any convenient sewer receiver such as a sewer clean-out at your home. 3" hose inlet port; 1" hose barb outlet port.

20535 12-Volt RV Macerator Pump; 8-1/4" L
#18550000A 24

APEX
Over 70 Years of Quality
**TEKNOR APEX
AQUA DRAIN
HOSE**

For flushing out gray and black water tanks. Not for drinking water.

28046 5/8" x 25'
#828VR-25 10



**VALTERRA
VENTED
WASTE
VALVE
CAP**



Simply attaches onto your valve, for venting the waste tank during storage. Venting the tank helps ensure an odor-free RV at the start of the season. CD/1.

27920 Vented Cap #T1024-4VP 30



**VALTERRA
BAYONET
DRIP CAP**

Keeps storage compartments clean and prevents messy drips. Fits all 3" bayonet fittings and includes a simple twist-on connection.

27712 Drip Cap #T1020-2VP 5



**VALTERRA
GRAY WATER
DRAIN ADAPTER**



Allows for gray water sewer hook-up using 1/2" & 5/8" waste water hose. Use in conjunction with bayonet sewer fittings. Includes 3/4" garden hose connection with cap and easy thumb grip.

Gray Water Drain Adapter w/3/4" Plug:

28415 Bulk #T1020-5 1
28416 Carded #T1020-5VP 1

**VALTERRA
UNIVERSAL
ADAPTER**

Lets you use any Anonda or Valterra fitting on a Thetford system. Converts your Anonda or Valterra elbow, straight adapter, or cap with 3/4" drain to fit a Thetford hub fitting.



21498 Universal Adapter, Carded
#T05-2285VP 30



**DURAFLEX
BASIC WASTE VALVES**

- Threaded handles for easy replacement.
- Stainless steel shafts.
- Buna-n-rubber seals provide positive protection from leaks.
- Valves, handles & fittings made of long-lasting ABS plastic.

Duraflex Basic Waste Valve:

24646 1 1/2" #T24646 1
24647 2" #T24647 40
24648 3" #T24648 38



THETFORD PRODUCTS

BASIC VALVES (MOLDED ABS)

Flat top for direct mount 3" spigot on bottom [#01457 seal and (4) #08737 mounting screws included].

27448 Valve f/Ext Handle #08709 1

3" socket on top. 3" spigot on bottom.

27451 Basic Valve 3" x Spigot (with handle)
#08669 1

BAYONET RING

Solvent cements to any 3" male nipple 3" DWV pipe.

27402 Bayonet Ring #01639 6





Plastic Handles



Metal Handles

BLADEX™ VALVES

Bladex™ valves are interchangeable with Valterra, Grentec, Anonda, Larden & Bristol.

WITH PLASTIC HANDLES

With Plastic Handles:

20453 1½", Carded #T1001VP 28

20017 2", Carded #T1002VP 28

20097 3", Carded #T1003VP 28

WITH METAL HANDLES

Bladex™ waste valves come with durable, die-cast aluminum handles. Aluminum handles offer reliable strength that you can trust.

With Metal Handle, 1/Card:

24447 1½" #T1001VPM 28

24448 2" #T1002VPM 28

24449 3" #T1003VPM 28



VALVE REPLACEMENT HANDLES

All replacement handles are threaded for easy attachment. Fits Bladex or Valterra old style valves.

Valve Handles, Carded:

21283 Plastic #T1003-6VP 1

24478 Metal #T1003-6MVP 1

VALTERRA BLADEX™ WASTE VALVES

Bladex;
27160Old Style;
21284

REPLACEMENT SEALS

FOR BLADEX™ VALVE

Seals are made of high-quality Santoprene for chemical-resistance and maximum durability. Bladex™ seals are specially designed to eliminate leaks, gate seal pinching, and misalignment during movement of rotation on valve fittings. Fits Bladex™ style valves. Carded with nuts and bolts.

Two Bladex™ Seals:

27158 1½" #T1001-9VP 40

27159 2" #T1002-9VP 1

27160 3" #T1003-9VP 40

FOR VALTERRA VALVE

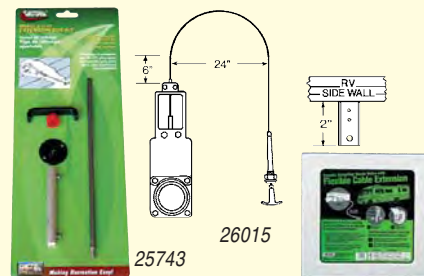
Fits Valterra old style valves. Carded with nuts and bolts.

Two Valterra Seals:

21464 1½" #T1001-7VP 40

20492 LS 2" #T1002-7VP 1

21284 3" #T1003-7VP 40



CABLE ACTUATED WASTE VALVES

Cable allows waste valves to be in a location protected from damage normally occurring in low and exposed areas. Easy-to-access cable handle permits a simple push/pull motion to operate the waste valves, eliminating difficult side pulls. Patented.

6' Flexible Cable Kit with :

26015 1½" Valve #TC172 4

26016 3" Valve #TC372 4

EXTENSION ROD KIT

Adjustable 10"-12" extension rod kit comes with handle, locking tab, extension rod and coupler.

25743 Adjustable Extension Rod Kit, CD/1
#T1046-10VP 46



VALTERRA CAPS & ACCESSORIES

Allows your caps to twist on and off easily. Reinforced ears give longer lasting durability.



20493

20494

3" TERMINATION CAPS

Caps fit round bayonet lugs, Valterra, Anonda and Larden fittings.

With Bayonet Hooks with Cap, Black:

20493 Carded #T1020VP 1

¾" Hose Thread Connection With Cap:

20494 Carded #T1020-1VP 36



VALVE CAP WITH HANDLE



Coupler cap with grip handle eliminates the difficulty of removing valve caps. Also features ¾" FPT hose connection for draining gray water.

24611 Valve Cap with handle, Bulk
#F02-3106BK 1

BAYONET DRIP CAP SET



Clean hose storage! No more compartment mess! Facilitates easy storage when caps are installed while hose is compressed. Just twist them on and you're ready to go.



28349 Bayonet Drip Cap Set, Carded
#T1020-3VP 1

DRAIN FITTINGS

PLUMBING

In Section L:	Fresh Water Line	Filters	Winterizing	Pumps	Faucet & Shower	Sink & Drain	Holding Tanks	Drain Valves & Fittings	Drain Hose	Chemicals & Toilets
---------------	------------------	---------	-------------	-------	-----------------	--------------	---------------	-------------------------	------------	---------------------



DURAFLEX SEWER FITTINGS



24627



24628
(sold each;
both ends shown)



24654,
24650



24654



24629



24630



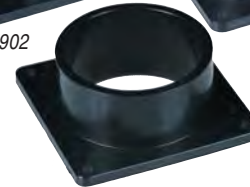
24656



27902



27899



27905



24656, 24652

24655, 24651

DURAFLEX PLUMBING ADAPTERS FOR THETFORD-STYLE BAYONETS

PLAIN TERMINATION CAP

Positive seal dust cap protects drainage system.

24627 Plain Termination Cap
#24627 10

ANGLED HOSE ADAPTER

Connects 3" sewer hose to drainage system.

24628 Angled Hose Adapter
#24628 40

CAP WITH HOSE ADAPTER

For draining into portable waste holding tanks.

24629 Cap With Hose Adapter
#24629 6

STRAIGHT HOSE ADAPTER

Fits in standard 4" trailer hose bumper for convenient storage while attached to 3" sewer hose.

24630 Straight Hose Adapter
#24630 6



24630

27797,
20099

DURAFLEX SEWER AND DRAIN FITTINGS

- All DuraFlex adapters, caps & fittings interchange with Valterra, Anonda & Larden fittings.
- Slip sockets and spigots with flanges for attaching to drain valves.
- Bayonet end for attaching 3" bayonet fittings to drain valves.
- Made of durable, UV-stabilized ABS.

Slip Socket Flanges:

27899 3" Flange #T27899 60

27900 2" Flange #T27900 70

27901 1-1/2" Flange #T27901 50

Spigot Flanges:

27905 3" Flange #T27905 65

27904 2" Flange #T27904 1

27903 1-1/2" Flange #T27903 60

Bayonet Flange:

27902 3" Flange #T27902 144

3/4" Hose Cap with Strap:

27797 1/Card #27797 1

20099 Bulk #T20099 400

DURAFLEX HOSE COUPLER

Couple 2 or more 3" sewer hoses together, for extended reach.

27906 3" Sewer Hose-to-Hose Coupler
#F27906 150



DURAFLEX CLEAR 45° SEWER FITTING

45° angle eliminates hose kinks. Clear adapter allows you to see when your tank is rinsed clean.

27669 Clear 45° Sewer Fitting
#T27669 50





VALTERRA EZ-VALVE ELECTRIC WASTE VALVE SYSTEM

- Powered by a durable, high torque, water resistant electric motor.
- Built-in 5 amp breaker protects the entire system and is easily re-set without the need to replace fuses.
- Switch light activates immediately upon valve opening, and stays illuminated until valve closes completely.
- Built-in limit switches eliminate the need to "listen" for activation.
- 3 year warranty.

Specifications:

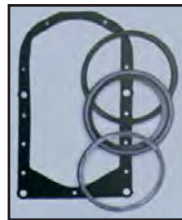
- Voltage: 12-V DC.
- AMP Rating: 2.5 Amps per valve.
- Valve Size: 3".
- Open Cycle Time: 1.3 seconds.
- Closed Cycle Time: 1.3 seconds.
- Open/Close Cycle Tested: 6,000 cycles.
- Valve Length Open: 15-1/4".
- Valve Length Closed: 11-1/2".
- Flow Direction: Either direction.
- Operating Temp: 35-120°.
- Harness Length: 84".

28417 3" Bladex Electric Valve
#E1003VP 1

THETFORD THETFORD SLIDE-EZ VALVE REPAIR PACKAGE

Slide-EZ Valve Repair Kit contains all seals to repair Thetford Termination Valves with stainless steel or bronze covers.

27458 SEV Service Repair Package
#09872 1



CAMCO DUAL FLUSH PRO

Clean your entire septic system with this reverse flush valve. Forces water back up into plumbing lines to break up clogs in pipes. Allows you to

backfill and flush black and grey water tanks, then reverse valve and flush sewer drain hose. Anti-siphon valve and complete valve assembly included. Patented. 1 piece.

20463 Dual Flush PRO; 2 Lbs, Package dimensions: 8.75"H x 4.5"W x 9.75"L
#39062 g



VALTERRA FLUSH KING

Reverse RV Flush Valve

- Removes clogs in drain pipes
- Refills and flushes tank at any height or angle of plumbing
- Attaches quickly and easily
- Built in backflow preventer
- Improves sensor performance
- Outperforms built-in flushers
- Eliminates wand and hoses inside the vehicle.

20391 Flush King #F02-4350 g

BLADEX™ DOUBLE WASTE VALVE ASSEMBLIES



1 1/2" and 3" rotating valves on one collector fitting. Provides greater flexibility in waste plumbing design. Eliminates the need for extra fittings. All assemblies are 100% factory tested to ensure leakproof reliability.

24444 3" x 1 1/2" Rotating Sanitary Double Valve Assembly, 3" Hub x 1 1/2" Hub x 3" Bayonet with Cap #T18 g

24445 3" Rotating Wye Double Valve Assembly, 3" Hub x 1 1/2" Hub x 3" Bayonet with Cap #TR38 g

24446 3" Heel Inlet, 1/4 Bend Double Rotating Valve Assembly, 3" Hub x 1 1/2" Hub x 3" Bayonet with Cap #T68 g

23545 3" Double Elbow Double Rotating Valve Assembly, 3" Hub x 1 1/2" Hub x 3" Bayonet with Cap #T80 g



CAMCO GREY WATER HOLDING TANK MAXIMIZER

Allows you to route grey water to your black water tank, so you can camp longer before emptying your tanks. Typically, your grey water tank fills up faster than your black water tank, so this reduces your number of trips to the dump station. The Maximizer can also be used to rinse your emptied black water tank by routing grey water into it. The emptying grey water will help rinse out your black water tank.

67345 Holding Tank Maximizer
#39052 g



VALTERRA TWIST-ON VALVE

Have you ever delayed fixing an old valve problem? Now just twist a new one onto your current waste valve bayonet fitting and eliminate messy replacements or a trip to the service department.

28293 Twist-On Valve #T58 16



VALTERRA 3" BAYONET WYE, HOOK x HOOK x LUG

Joins two outlet hoses to one sewer hose line. Required when RV (usually a 5th wheel) has a second gray water tank that terminates separately from main black/gray tanks. Allows RV'er to easily hook-up both drain lines to the sewer. Uses standard Bayonet connections.

20076 Wye, 3" Hose X 3" Hose X 3" Hose,
Black #F02-2027 25

28350 Wye Rotating Bayonet Fitting
#F02-2030 g

In Section L:	Fresh Water Line	Filters	Winterizing	Pumps	Faucet & Shower	Sink & Drain	Holding Tanks	Drain Valves & Fittings	Drain Hose	Chemicals & Toilets
---------------	------------------	---------	-------------	-------	-----------------	--------------	---------------	-------------------------	------------	---------------------



FLANGED VALVE FITTINGS

For Valve Attachments.



Slip Socket
Spigot
SLIP SOCKET FLANGE

Slip socket with flange for valve attachment.

Slip Hub:

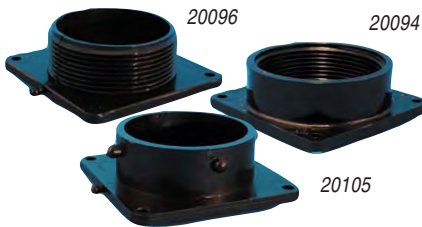
- 20461** 1½" #T1005-1 1
- 20018** 2" #T1005-2 1
- 20093** 3" #T1005 1

SPIGOT FLANGE

Spigot (male slip) flange for valve attachment.

Spigot Flange, Black:

- 20095** 3" #T1006 1
- 20462** 1½" #T1006-1 1
- 20019** 2" #T1006-2 10



FEMALE THREAD FLANGE

Female thread with flange for valve attachment.

- 20094** 3", Black #T1007 48

MALE THREAD FLANGE

Male thread with flange for valve attachment.

MPT Flange, Black:

- 20096** 3" #T1008 42

BAYONET END FLANGE

3" bayonet end with flange for valve attachment.

- 20105** Bayonet End Flange, Black #T1009 1

SANITARY "T" COLLECTOR FITTINGS

3" San Tee Reducing:

- 20100** 3" Bayonet End x 3" Rotating Flange x 1½" Slip Hub #T1011 12
- 20468** 3" Bayonet End x 3" Rotating Flange x 2" Slip Hub #T1012 12

3" Double San Tee Reducing:

- 20101** 3" Bayonet End x 3" Rotating Flange x 2" Slip Hub x 1½" Slip Hub #T1013 6

JR PRODUCTS DRAIN HOSE WRENCH

A tool for quick and easy hook-up and removal of most 3" drain hoses, caps and termination valve fittings.

- 25307** Drain Hose Wrench #04154 6



WYE REDUCING

3" Wye Reducing:

- 27926** 3" Bayonet End x 3" Stationary Flange x 1½" Rotating Flange #T1014 10
- 27927** 3" Bayonet End x 3" Rotating Flange x 1½" Rotating Flange #T1014-1 6



3" WYE COLLECTOR FITTINGS

3" Wye Reducing:

- 20109** 3" Bayonet End x 3" Stationary Flange x 2" Slip Hub #T1015 6
- 20108** 3" Bayonet End x 3" Rotating Flange x 2" Slip Hub #T1015-1 1



HEEL INLET QUARTER BEND

- 20116** 3" Bayonet End x 3" Rotating Flange x 2" Slip Hub #T1030 1

- 21462** 3" Slip Hub x 3" Rotating Flange x 2" Slip Hub #T1030-1 1

- 27928** 3" Bayonet End x 3" Rotating Flange x 1½" Rotating Flange #T1031 1



TWO-WAY ELL

- 21549** 3" Bayonet End x 3" Rotating Flange x 1½" Rotating Flange #T1036 16

- 27930** 3" Spigot x 3" Rotating Flange x 1½" Rotating Flange #T1036-1 1



90° ELL WITH 3" ROTATING FLANGE

- 20117** 3" Bayonet End #T1035 1

- 21463** 3" Slip Hub #T1035-1 1

SEE PAGES 411 to 413
FOR MORE ABS DRAIN FITTINGS



VALTERRA CLEARVIEW FITTINGS & ADAPTERS

Clear fittings for every application inside or outside the sewer compartment. Extends drain hose connections to a more convenient position and includes bayonet attachment. Fittings are clear so you know when your tank is clean.

Clearview Fittings:

27655 5" #T1021 27

27656 10" #T1022 12

27657 90° #T1023 32



45° Clearview Hose Adapter: Easy viewing with this clear 45° hose adapter. Great when used with tank cleaners that attach directly to the tank or enter through the toilet.

26013 45° Clearview Hose Adapter #T1026 1

Bayonet Hose Adapter: No need to re-attach hose and mess with clamps. These hose adapters simply twist on. Clear, so you know when it's clean. Extra strong material prevents breakage.

26107 45° Clearview Hose Adapter w/Bayonet Lugs #T1026-1 36

45° Clear Hose Adapter with EZ Coupler Threads: Lets you see when it's clean.

45° adapter reduces stress on your hose while dumping. EZ Coupler threads let you twist your hose right on—no hose clamps needed.

26109 EZ 45° Adapter, Clear #F02-3111 22



VALTERRA HOSE ADAPTERS

STRAIGHT AND 45° HOSE ADAPTERS

Allows your adapters to twist on and off easily. Reinforced ears give longer lasting durability. Straight hose adapters fit inside standard hose bumpers.

3" Hose x 3" Bayonet Hooks, Black:

20495 Carded #T1024VP 30

45° Hose Adapter:

20496 Carded #T1025VP 20

DELUXE HOSE ADAPTER

4-hook for the strongest connections. Swivel fitting stops any hose from twisting and kinking. Wire retainer keeps the end of the hose wire tucked away and safe.

3" Straight Bay Hose Adapter:

28351 Bulk #T1024-2 6

28352 Carded #T1024-2VP 1



Brings drain connection out from underneath the RV

VALTERRA 10" HOSE ADAPTER

- 3" bay hooks x 3" bay lugs.
- No hose clamps need with bayonet lug adapter; twists on current hose adapter.

28727 10" Hose Adapter #T1022BK 6



VALTERRA SEWER INLET FITTINGS

CLOSE ELBOW

Female Close Elbow:

20059 ^{LS} 90°, 3" Hose x 3" FPT #F02-2000 1

Male Close Elbow:

20061 90°, 3" Hose x 3" MPT #F02-2002 1

20062 60°, 3" Hose x 3" MPT #F02-2003 45



ADAPTER

20063 Female, 3" Hose x 3" FPT #F02-2004 5

20064 Male, 3" Hose x 3" MPT #F02-2005 1



DRAIN HOSE COUPLERS

20072 90°, 3" hose x 3" hose, Black #F02-2023 45

20073 45°, 3" x 3", Black #F02-2024 1

20074 Straight, 3" Slip x 3" Slip, Yellow #F02-2025 1

VALTERRA SEWER SPONGE RINGS

For RV parks requiring a gas-tight sewer connection. 4" x 3" sponge ring.

Sponge Ring:

21340 Hard #F02-4500 1

28009 Soft #F02-4600 1



VALTERRA ADAPTERS



20113

20107



20106

21461



25533

TERMINATION ADAPTERS

WYE

20113 3" Wye, 3" Bayonet End x 3" Slip Hub x 2" Slip Hub #T1015-2 1

BAYONET

20107 3" Bayonet End x 3" Spigot #T1029-1 1

20106 3" Bayonet End x 3" Slip Hub #T1029-2 1

21461 3" Bayonet End x 3" Male Thread #T1029-4 10

ROTATING RIGID PIPE ADAPTER

For parks that require rigid piping at semi-permanent sites. Thread adapter into female fittings and twist the other end onto your valve fitting. Rotates for easy connection.

25533 3" Male Thread x Bayonet Hooks #T1027 40



20490



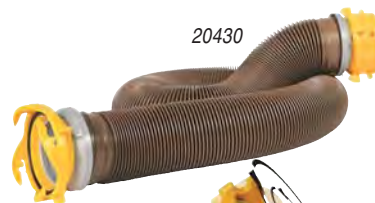
20491

VALTERRA TANK ADAPTERS – ECCENTRIC GRAY WATER TANK REDUCER ABS

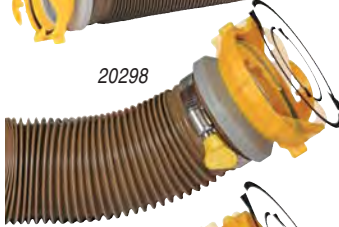
3" Spigot x Hub:

20490 1 1/2" Hub #T1041-1 1

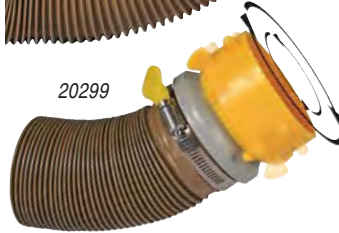
20491 2" Hub #T1041-2 5



20430



20298



20299

CAMCO REVOLUTION SERIES



20430 10' hose extension with pre-attached swivel lug and swivel bayonet fittings #39623 6

REVOLUTION SWIVEL FITTINGS

Add a 360° swivel to any RV sewer hose. Bayonet fitting and Lug fitting include a Twist-It™ clamp for securing fitting to hose.

Revolution Swivel Fittings:

20297 Elbow with 4-in-1 Adapter (Not Shown) #39471 4

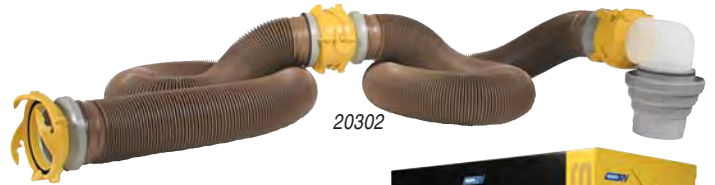
20298 Bayonet Fitting with Twist-it Clamp #39481 4

20299 Lug Fitting with Twist-it Clamp #39491 4

REVOLUTION™ SWIVEL RV SEWER KIT

20' This complete sewer kit comes assembled with everything you'll need for a quick, reliable sewer hook-up. Features new 360° swivel fittings. Non-restrictive for free flow and faster dumping. Includes two 10' heavy duty vinyl sewer hoses with pre-attached swivel fittings and one swivel bayonet sewer elbow fitting with 4-in-1 adapter. Hose support not included. Patent Pending.

20302 Revolution™ Swivel Rv Sewer Kit #39625 2



20302



RhinoEXTREME RV Sewer Kit by CAMCO

All of the features that RVers are looking for complete in one kit. RhinoEXTREME hose will not dent or rust and will not crush if accidentally stepped on. Offers superior abrasion resistance for maximum protection against pinholes and leaks. 15' kit comes with pre-attached Rhino swivel fittings, reusable locking rings and storage caps. Ready to use! Patent pending.

RhinoEXTREME™ Sewer Hose

- Superior abrasion resistance and crush protection
- TPE technology protects against pinholes
- Will not dent or rust
- Rugged and extremely durable
- Hose is tested down to -40° F



20339

20338 RhinoEXTREME™ RV Sewer Kit #39861 2

20339 RhinoEXTREME™ 15' Hose #39862 4

20340 RhinoEXTREME™ 5' Extension Kit #39865 6



20340



RhinoFLEX™ RV SEWER HOSE FITTINGS by CAMCO

RhinoFLEX™ SWIVEL LUG

Allows you to connect your RhinoFLEX hose to any sewer hose that has a bayonet fitting. Reusable locking ring provides a secure odortight connection without hose clamps. Stores in 4" bumper.

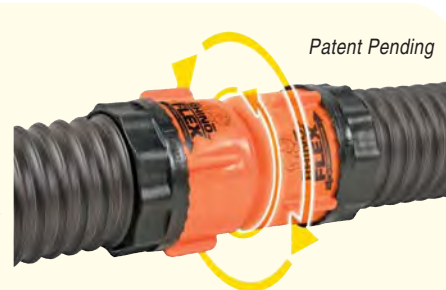
20308 RhinoFLEX™ Lug #39773



RhinoFLEX™ SWIVEL BAYONET FITTING

Designed with four sturdy prongs that lock into position. Easy-grip wings for quick connect and disconnect. Built-in gasket for an odortight connection without hose clamps. Stores in 4" bumper. Complete with reusable locking ring. Patent pending.

20312 RhinoFLEX™ Bayonet #39783



RhinoFLEX™ SWIVEL COUPLER

Is the easiest way to connect two RhinoFLEX™ hoses. It provides a secure odortight connection without hose clamps. Stores in 4" bumper.

20309 RhinoFLEX™ Coupler #39821



RhinoFLEX™ SWIVEL ELBOW FITTING WITH 4-IN-1 ADAPTER

Takes the trouble out of connecting to the dump station. Elbow locks and seals into adapter for a secure and odortight connection, and still swivels when connected. Translucent elbow detaches from 4-in-1 adapter to store with hose in 4" bumper. Complete with reusable locking ring.

20307 RhinoFLEX™ Elbow #39733



RhinoFLEX™ SWIVEL FITTINGS by CAMCO

Choose 45° or 90° RhinoFLEX™ Bayonet Swivel fittings to accommodate your sewer hose connection needs.

RhinoFLEX™ Fittings:

20316 45° #39842

20318 90° #39852



RhinoFLEX™ WYE

Allows two hoses with lug fittings to be connected to the same dump station. Perfect for a motorhome has two separate holding tank valves.

20315 RhinoFLEX™ Wye #39812

CAMCO EASY SLIP® COLLECTION

EASY SLIP® 4-IN-1 SEWER ADAPTER WITH ELBOW

Connects hose to dump station. The elbow's tapered end accepts all 3" hoses and slip-over fittings. Adapter fits into 3" slip or 3", 3-1/2" and 4" threaded pipe. Larger inside diameter allows for faster dumping. Elbow separates from adapter for storage in bumper. Patented and patent pending.

20286 Easy Slip® 4-in-1 Sewer Adapter with Elbow #39144

EASY SLIP® RV INTERNAL HOSE COUPLER

Connects two sewer hoses together. Tapered ends accept all 3" sewer hoses and slip-over fittings. Allows for quick, secure and airtight connection. Stores with hose in standard 4" bumper. Non-restrictive, allows free flow. Patented. Clamshell.

20287 Easy Slip® Rv Internal Hose Coupler #39163



20286

EASY SLIP® RV STRAIGHT HOSE ADAPTER

Connect hose to RV quickly with an airtight odor and leak seal. Tapered ends accept all 3" sewer hoses. Stores with hose in standard 4" bumper. Non-restrictive, allows free flow. Patented.

Easy Slip® Straight Hose Adapter:

20292 Bulk #39172

20293 Clamshell #39173



20292
20293



20287

SEWER HOOKUP

PLUMBING

In Section L:	Fresh Water Line	Filters	Winterizing	Pumps	Faucet & Shower	Sink & Drain	Holding Tanks	Drain Valves & Fittings	Drain Hose	Chemicals & Toilets
---------------	------------------	---------	-------------	-------	-----------------	--------------	---------------	-------------------------	------------	---------------------



RhinoFLEX™ RV SEWER HOSE by CAMCO

The world's toughest sewer hose retains its shape once it's set until unhooked and stored. Made with 23 mils of heavy duty polyolefin reinforced with steel wire. 10' hose compresses to 32" and the 15' hose compresses to 45" for storage.

RhinoFLEX™ RV Sewer Hose:

20303 10' #39671 4

20305 15' #39681 4

CAMCO RV STORAGE CAPS

Set of two; one each for bayonet and elbow fittings. Can be used with Revolution, Easy Slip and RhinoFLEX™ fittings.



20310 RV Storage Caps #39753 4



RhinoFLEX™ RV SEWER KIT

with pre-attached fittings

We started with a 15' RhinoFLEX sewer hose, and pre-attached specially engineered fittings to make it even more convenient for you. At the RV end of the hose, there is a super-tough bayonet fitting with 4 prongs for a more secure fit. At the dump-station end, we've added an easily detachable 4-in-1 adapter for fitting to 3" slip or 3", 3-1/2" and 4" threaded pipe. It's a ready-to-use kit made with the toughest hose you can buy. With new pre-attached swivel fittings featuring a reusable locking ring so that fittings can be moved to a new RhinoFLEX hose. Bayonet cap and elbow cap also included.

20306 RhinoFLEX™ Sewer Kit #39761 2

RhinoFLEX™ LOCKING RINGS by CAMCO

Reusable locking rings work with new and original RhinoFLEX Elbow, Bayonet, Lug or Coupler fittings, allowing fittings to be moved to a new RhinoFLEX hose. Set of two. Patent pending.

20314 Locking Rings #39803 4

With pre-attached swivel lug and bayonet fitting featuring a reusable locking ring



5' and 10' RhinoFLEX™ by CAMCO

Extension Kit Extend the reach of your RhinoFLEX or other* sewer hose with this handy kit. Includes five-foot RhinoFLEX hose with pre-attached swivel lug and bayonet fitting featuring a reusable locking ring so that fittings can be moved to a new RhinoFLEX hose. Patent pending. *Works with any sewer hose that has a bayonet fitting.

20304 5' RhinoFLEX™ #39765 6

Extend the reach of your RhinoFLEX with this handy kit. Includes ten-foot RhinoFLEX hose with pre-attached swivel lug and bayonet fitting featuring reusable locking rings. Box Dimensions: 8.56"H x 21.5"W x 4.25"L. Made in USA. Patent Pending.

20452 **NEW!** 10' RhinoFLEX™ #39764 4



OZ COUPLER® Bayonet Sewer Kits

Deluxe 20' BAYONET SEWER KIT

Deluxe 10' BAYONET SEWER KIT

Kits include:
Extension hoses
and 90° adapter

Hose Kits

28290 10' #D04-0114 4

28291 20' #D04-0115 4

90° Adapter

28071 90° Adapter #F02-3112 12

Extension Hoses

28069 5' #D04-0112 10

28070 10' #D04-0113 5